



US00D378555S

United States Patent [19]
Moberg

[11] **Patent Number: Des. 378,555**

[45] **Date of Patent: **Mar. 25, 1997**

[54] **HOLDER FOR A REMOTE CONTROL OR THE LIKE**

2,490,426 12/1949 Gerdeman D6/513

[76] Inventor: **Sven Moberg**, Box 2057, 433 02, Partille, Sweden

Primary Examiner—Brian N. Vinson
Attorney, Agent, or Firm—Browdy and Neimark

[**] Term: **14 Years**

[57] **CLAIM**

[21] Appl. No.: **38,891**

The ornamental design for holder for a remote control or the like, as shown.

[22] Filed: **May 15, 1995**

DESCRIPTION

[30] **Foreign Application Priority Data**

Nov. 16, 1994 [SE] Sweden 94 2334

[52] **U.S. Cl.** **D6/513**

[58] **Field of Search** D6/512-514; 211/42, 211/44, 49.1, 50, 70.6, 71, 72, 86, 87, 88, 89, 90, 126, 134; 248/317, 905

FIG. 1 is a top, front, and left side perspective view of a holder for a remote control or the like showing my new design;

FIG. 2 is a bottom, rear, and right side perspective view thereof;

FIG. 3 is a front elevational view thereof;

FIG. 4 is a top plan view thereof; and,

FIG. 5 is a left side elevational view thereof.

[56] **References Cited**

U.S. PATENT DOCUMENTS

D. 344,654 3/1994 McCrudden D6/513

1 Claim, 4 Drawing Sheets

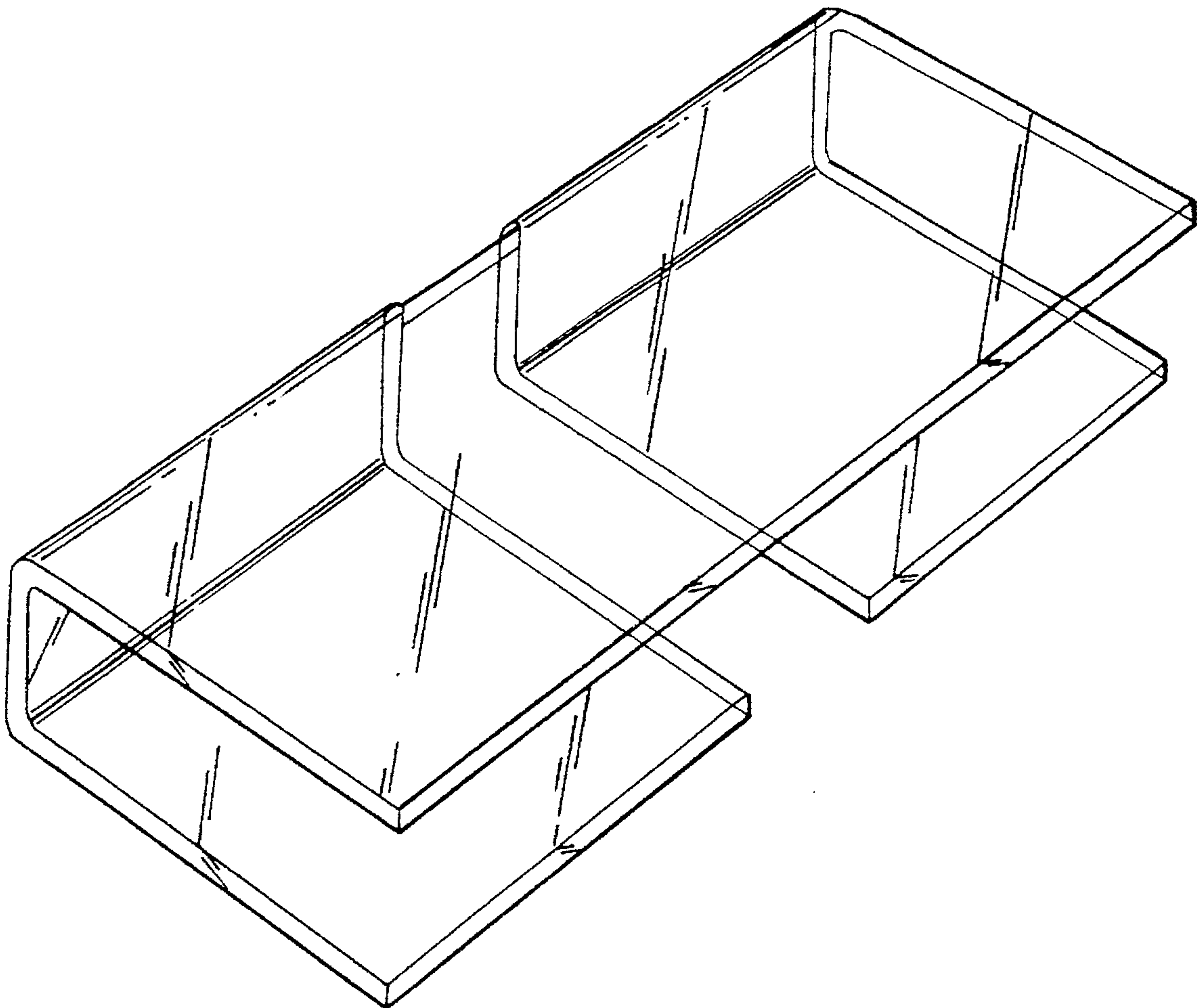


Fig.1

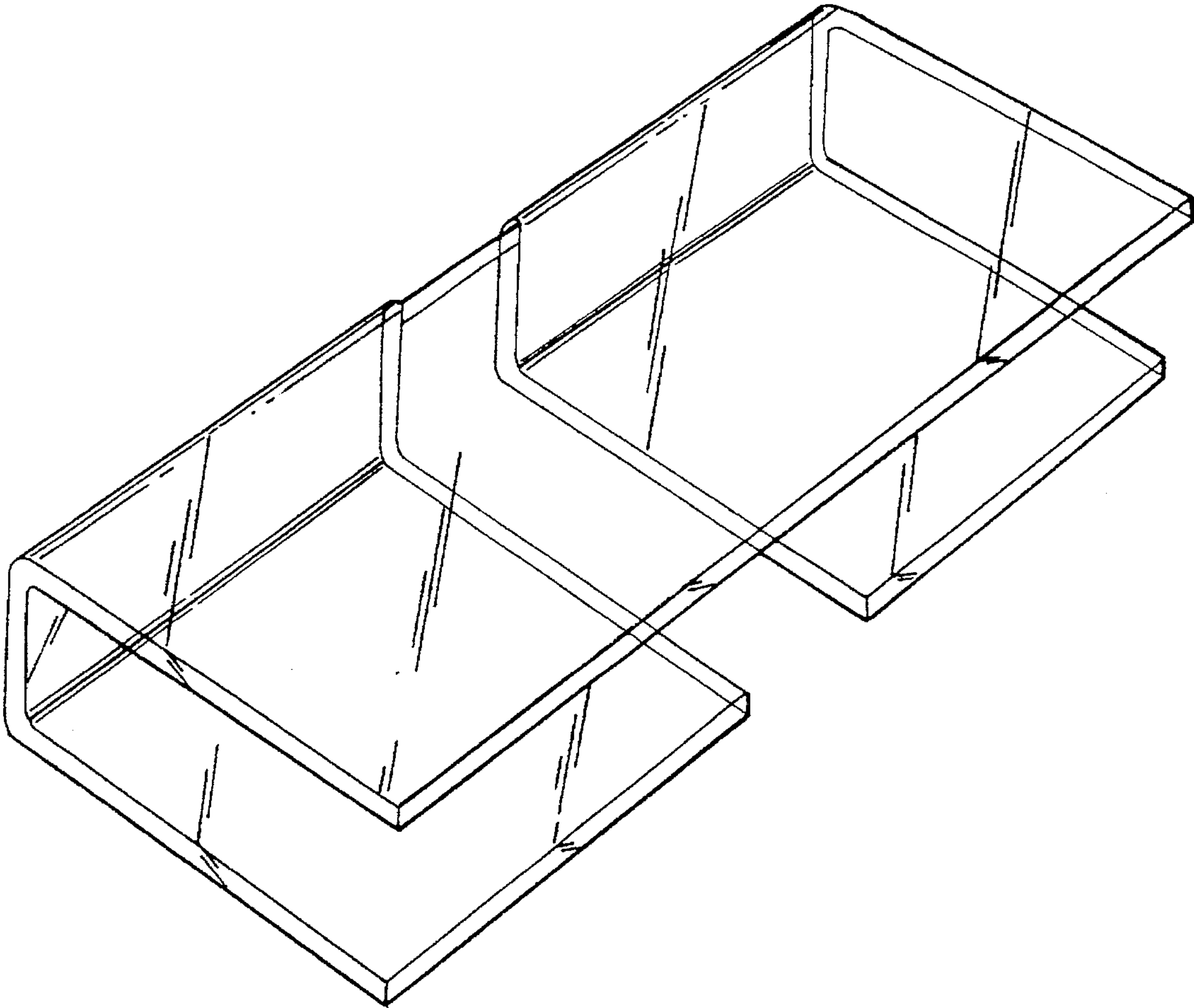


Fig.2

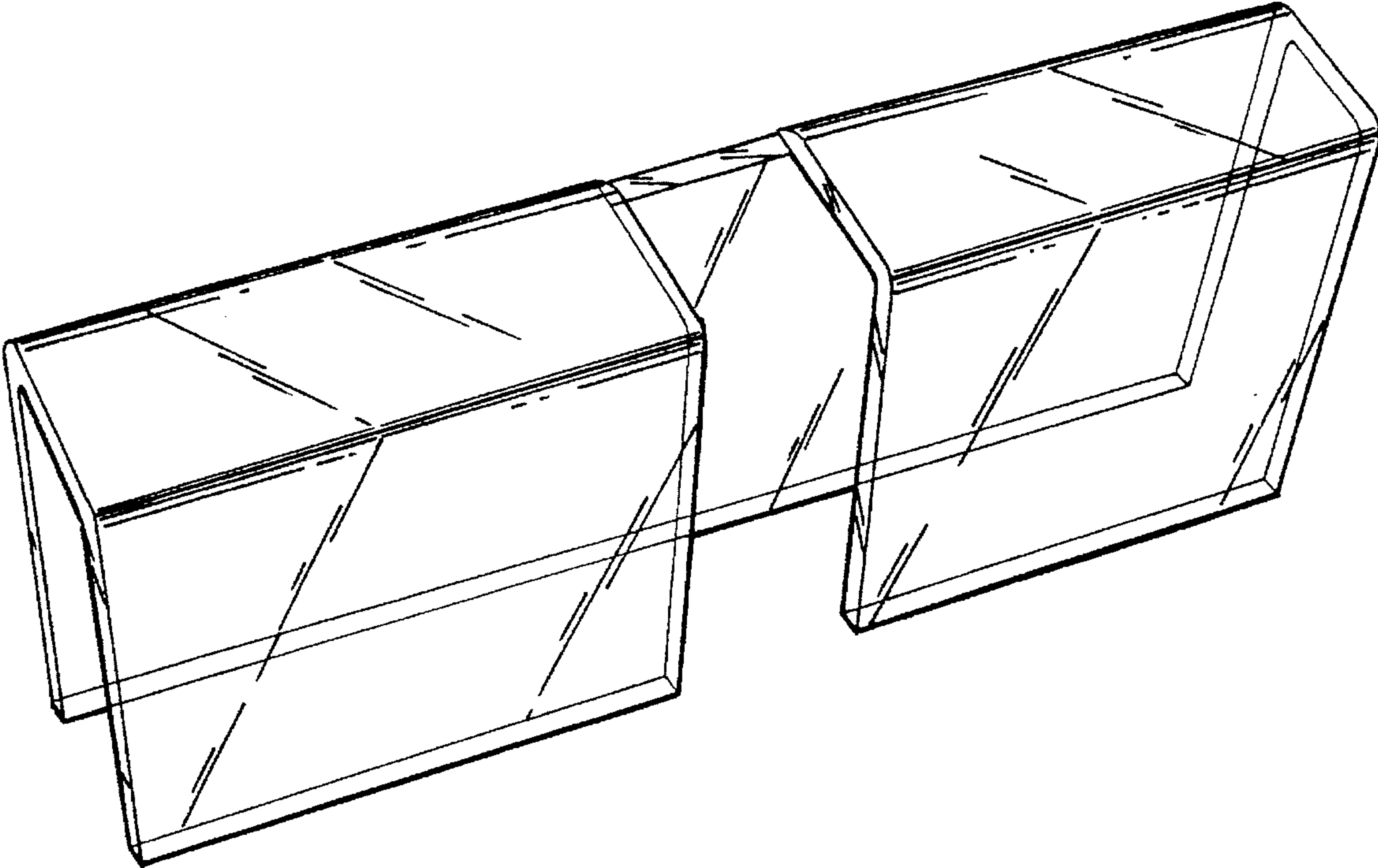


Fig.3

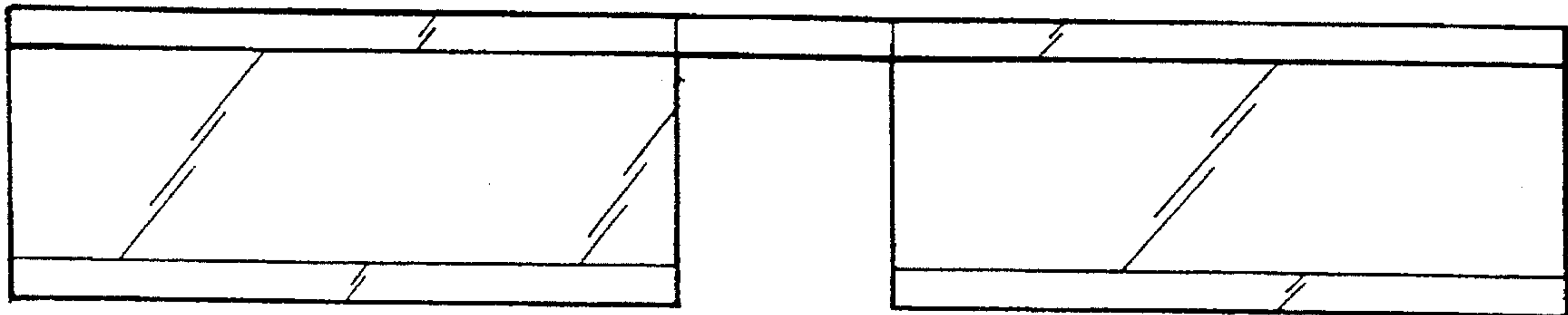


Fig.4

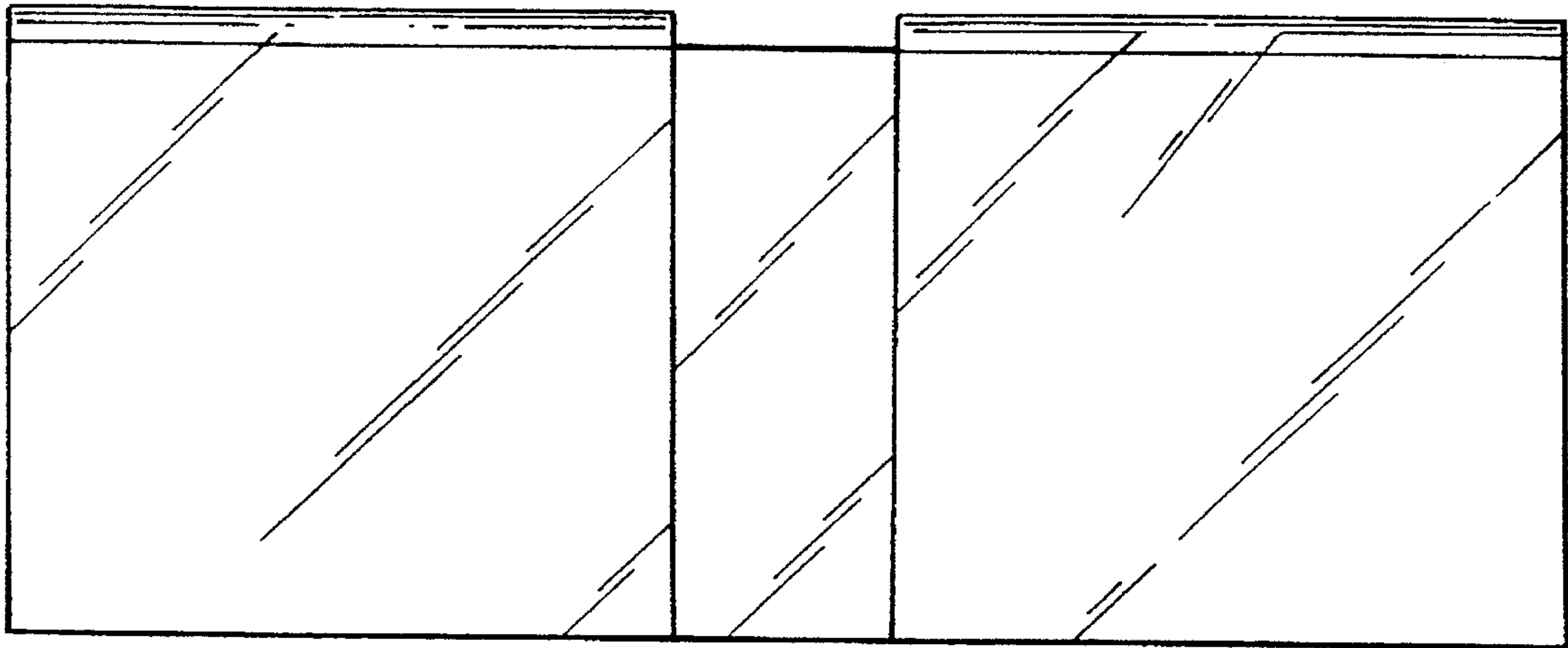


Fig.5

