



US00D378554S

United States Patent [19]

Meeker et al.

[11] Patent Number: **Des. 378,554**

[45] Date of Patent: ****Mar. 25, 1997**

[54] **BUILT-IN TOY TRAY FOR CHILD EXERCISER**

[75] Inventors: **Paul K. Meeker**, Hiram; **William R. Gibson**, Canton, both of Ohio

[73] Assignee: **Lisco, Inc.**, Tampa, Fla.

[**] Term: **14 Years**

[21] Appl. No.: **46,132**

[22] Filed: **Nov. 6, 1995**

[52] U.S. Cl. **D6/511; D12/425**

[58] Field of Search **D6/339, 333, 511, D6/510, 512; 206/557, 562-565; 108/25, 27; 297/136; D12/130, 425; D21/59, 71**

[56] **References Cited**

U.S. PATENT DOCUMENTS

D. 461,132 12/1995 Wu D21/59
4,743,008 5/1988 Fermaglich et al. 297/137 X

Primary Examiner—B. J. Bullock
Assistant Examiner—Linda Brooks

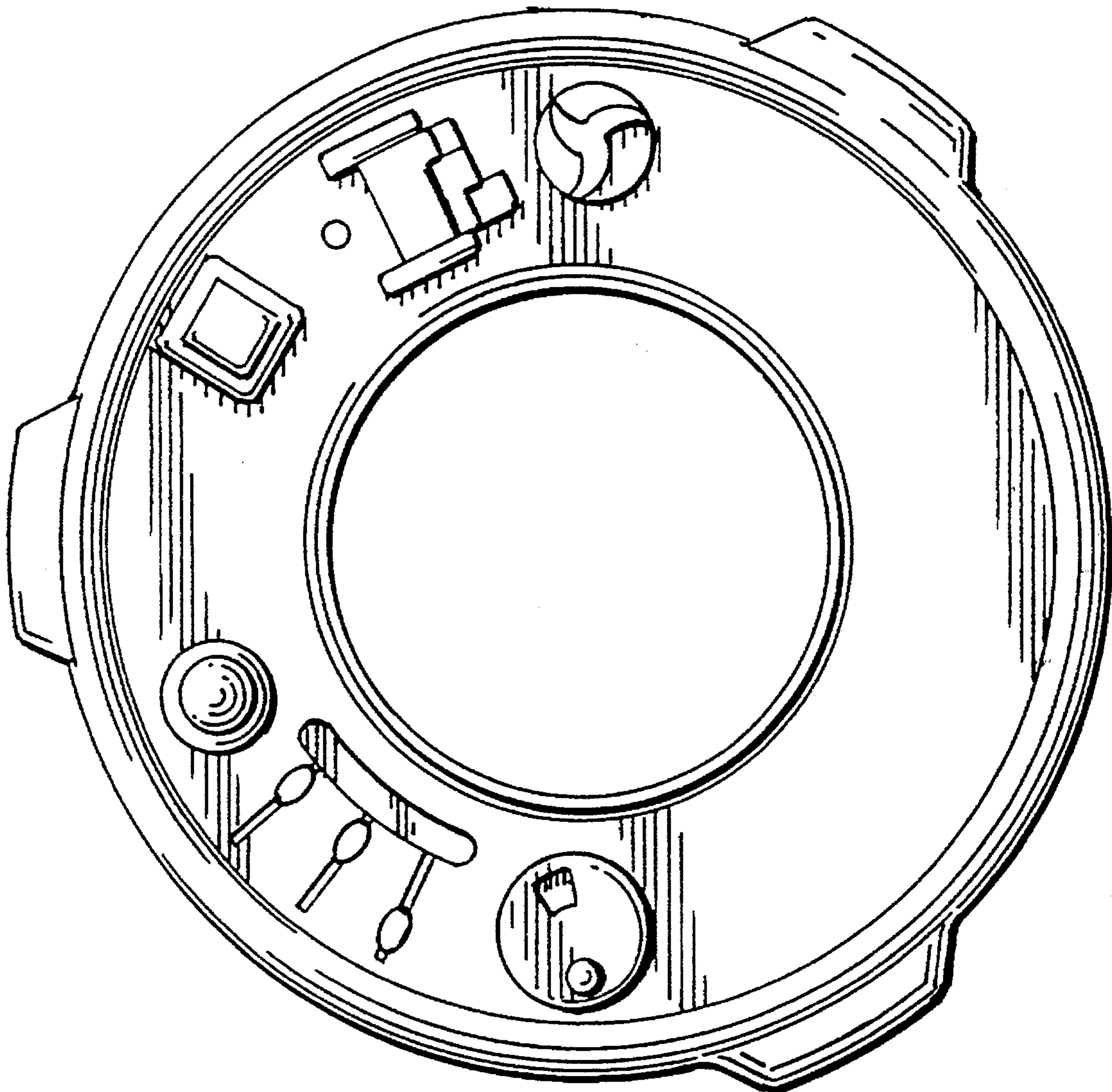
[57] **CLAIM**

The ornamental design for a built-in toy tray for child exerciser, as shown and described.

DESCRIPTION

FIG. 1 is a perspective view of the built-in toy tray for child exerciser showing the design of our invention; FIG. 2 is an enlarged top plan view of FIG. 1; FIG. 3 is a front view of FIG. 2; FIG. 4 is a left side view thereof; and, FIG. 5 is a bottom view thereof. The rear view is a mirror image of the front view. The right side view is a mirror image of the left side view. The broken line showing of a child exerciser in FIG. 1 is for illustrative purposes only and forms no part of the claimed design.

1 Claim, 1 Drawing Sheet



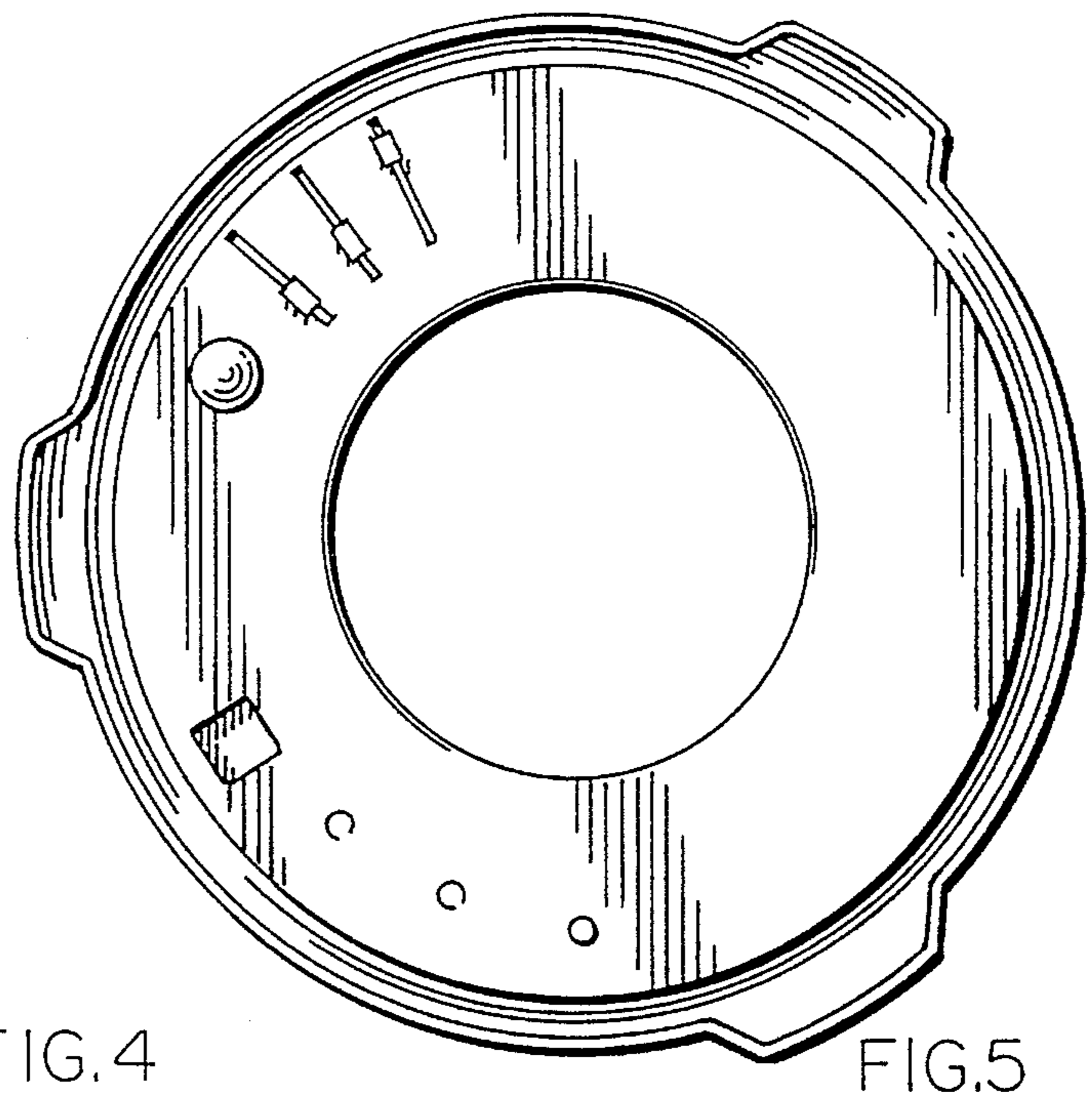
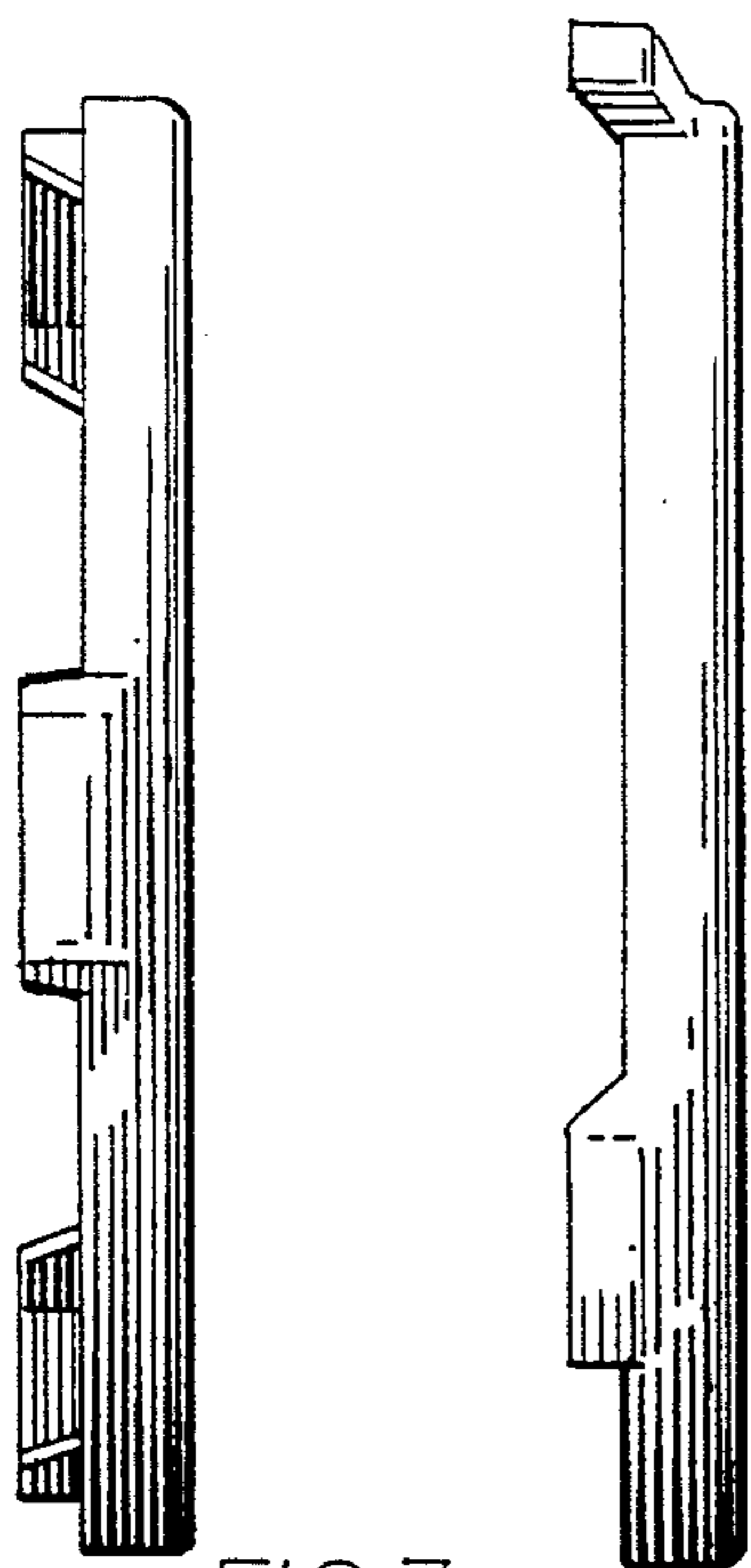
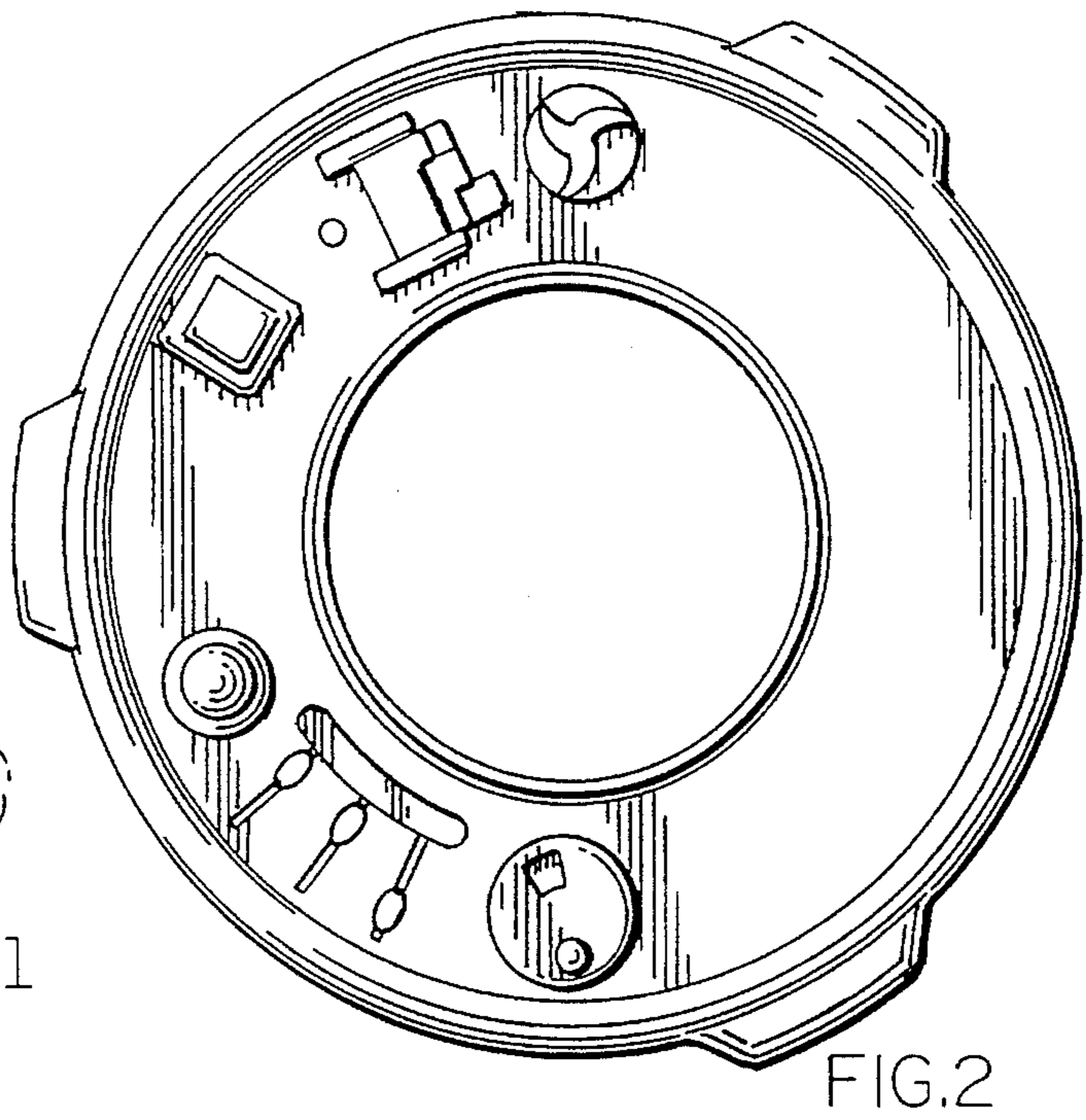
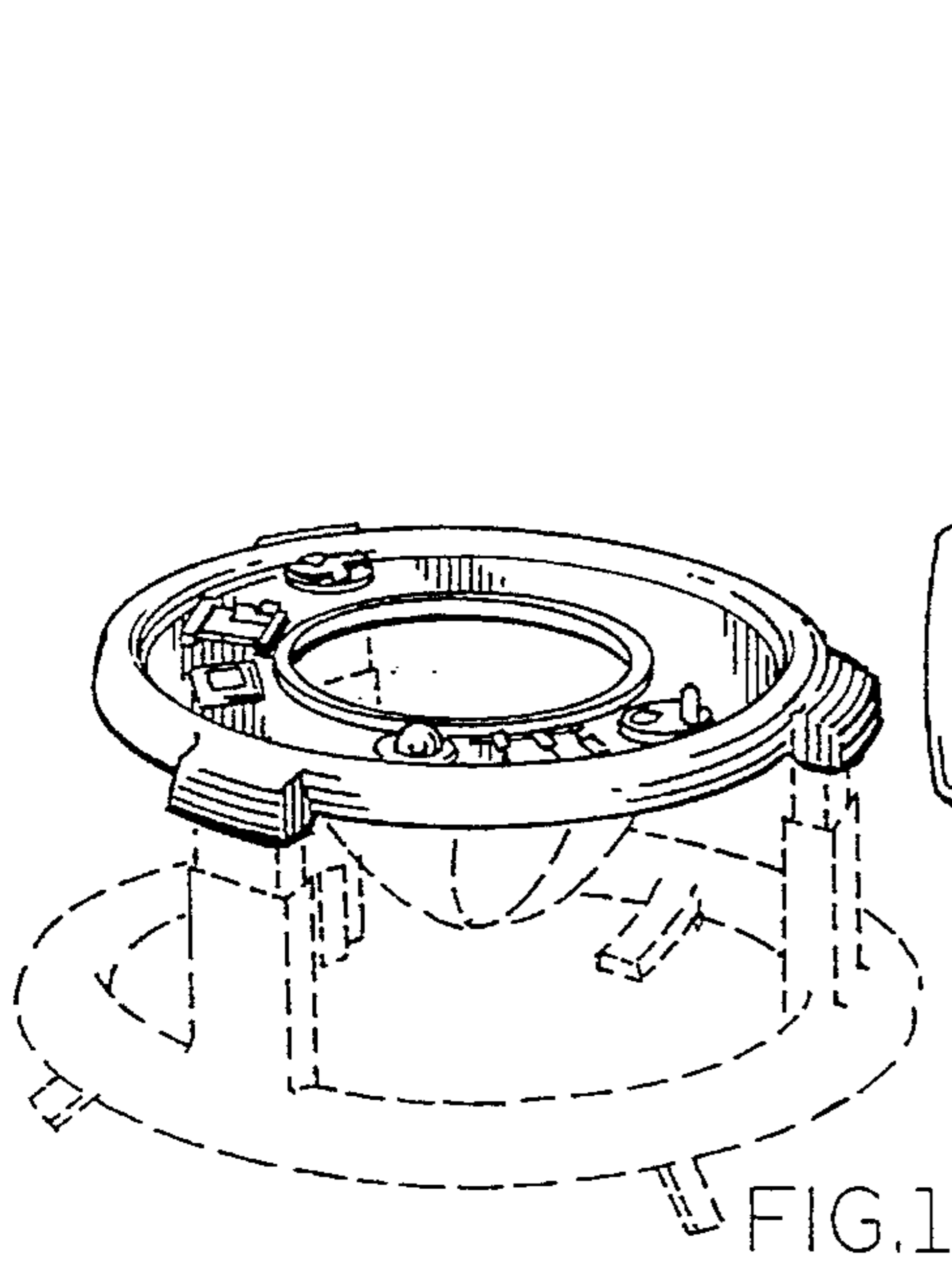


FIG. 3

FIG. 4

FIG. 5