



US00D378551S

United States Patent [19]
Shelnutt

[11] **Patent Number: Des. 378,551**

[45] **Date of Patent: **Mar. 25, 1997**

[54] **CRUTCH TIP**

[76] Inventor: **Roy G. Shelnutt**, 133 Coastal Dr.,
Byron, Ga. 31008

[**] Term: **14 Years**

[21] Appl. No.: **40,639**

[22] Filed: **Jun. 22, 1995**

[52] U.S. Cl. **D3/17; D2/902**

[58] Field of Search **D3/17, 8, 10, 9;**
D2/900, 902; 135/68, 77, 82, 84, 86; D21/72;
482/75, 76, 78, 80

[56] **References Cited**

U.S. PATENT DOCUMENTS

D. 285,715	9/1986	Brantingham	D21/72
4,493,334	1/1985	Semanchik et al.	135/84
4,630,626	12/1986	Urban .	
4,881,564	11/1989	Fetterman .	
4,899,771	2/1990	Wilkinson	135/86
5,103,850	4/1992	Davis .	
5,167,746	12/1992	Sheenan	135/77

FOREIGN PATENT DOCUMENTS

675275 7/1952 United Kingdom 135/84

Primary Examiner—Louis S. Zarfes

Assistant Examiner—Frank Martinez

Attorney, Agent, or Firm—Dennis H. Lambert

[57] **CLAIM**

The ornamental design for a crutch tip, as shown and described.

DESCRIPTION

FIG. 1 is a front, top and side perspective view of the crutch tip embodying the design of the present invention. The dotted line showing of a crutch is for illustrative purposes only and forms no part of the claimed design;

FIG. 2 is a front elevational view thereof;

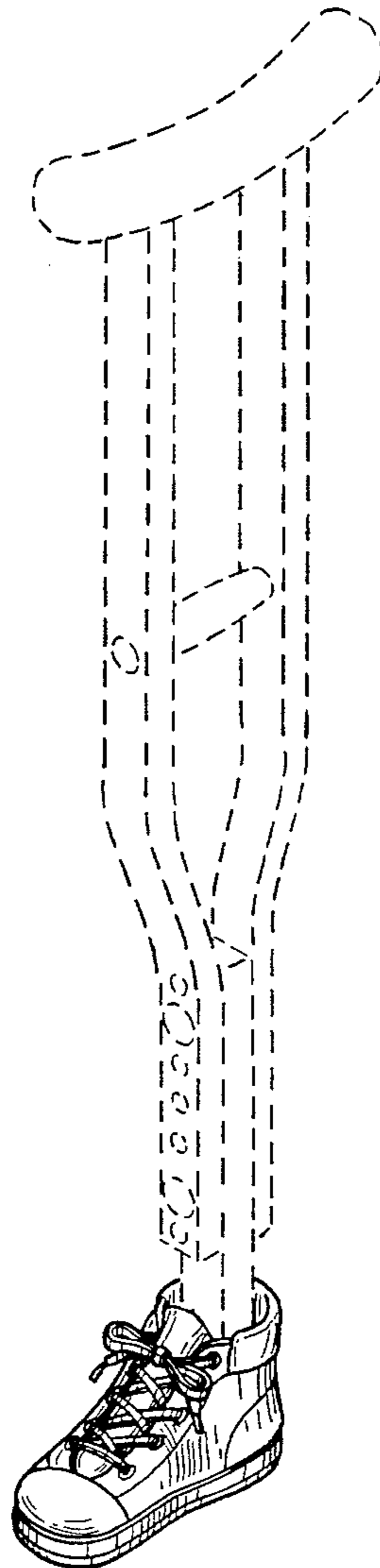
FIG. 3 is a rear elevational view thereof;

FIG. 4 is a side elevational view thereof, the side opposite being a mirror image of the side shown in FIG. 4;

FIG. 5 is a top plan view thereof; and,

FIG. 6 is a bottom plan view thereof.

1 Claim, 4 Drawing Sheets



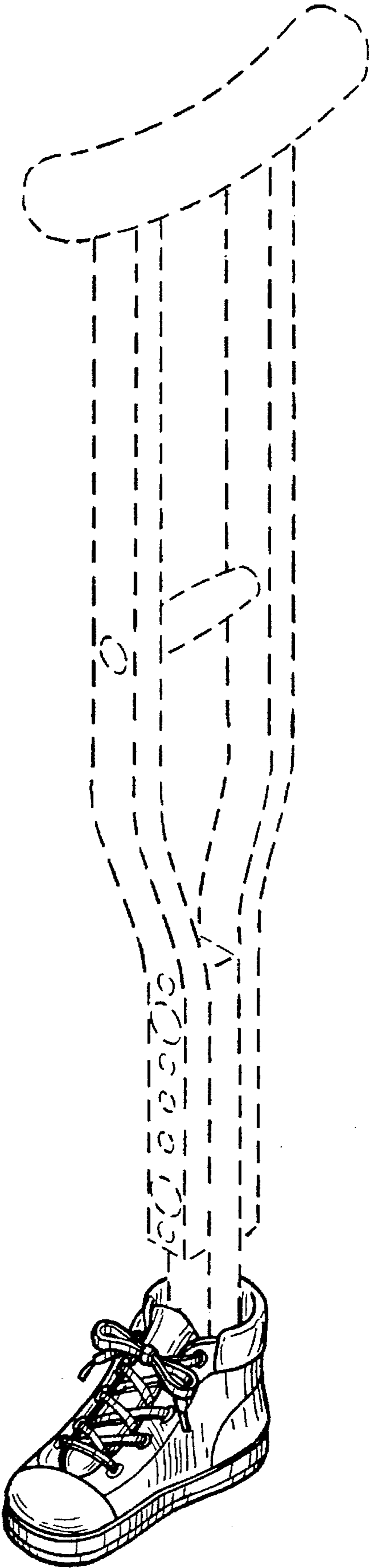


FIG. 1

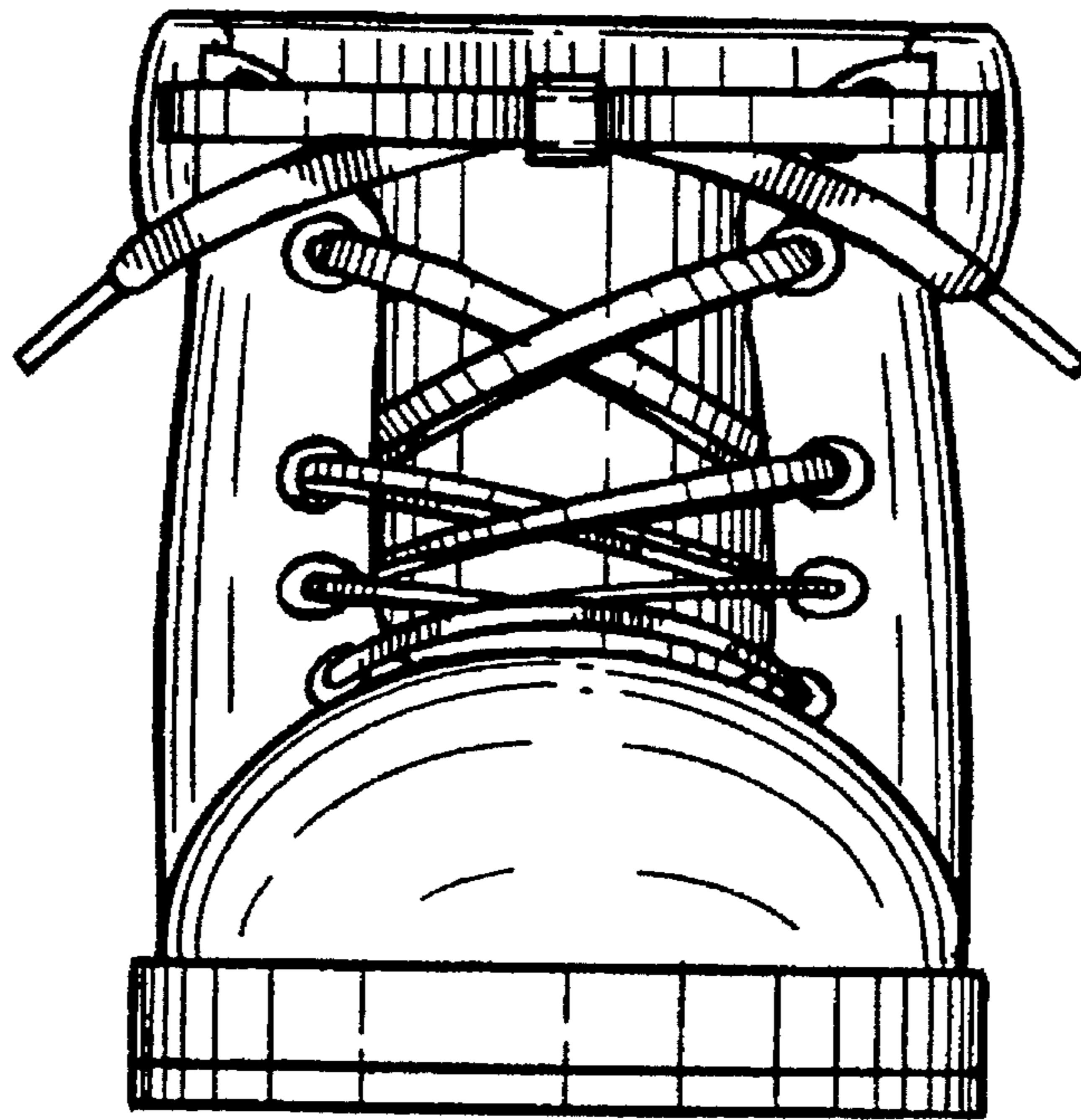


FIG. 2.

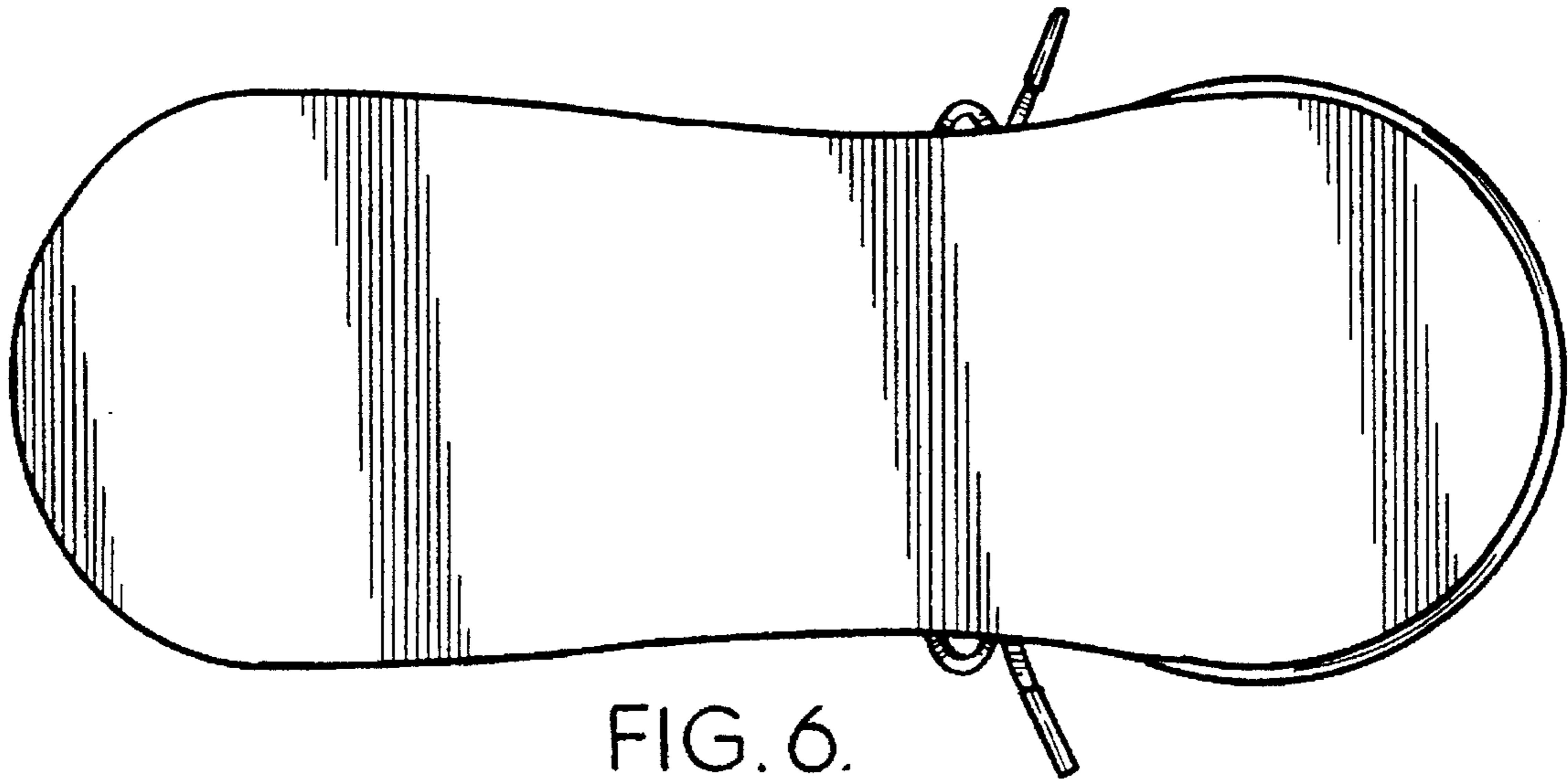


FIG. 6.

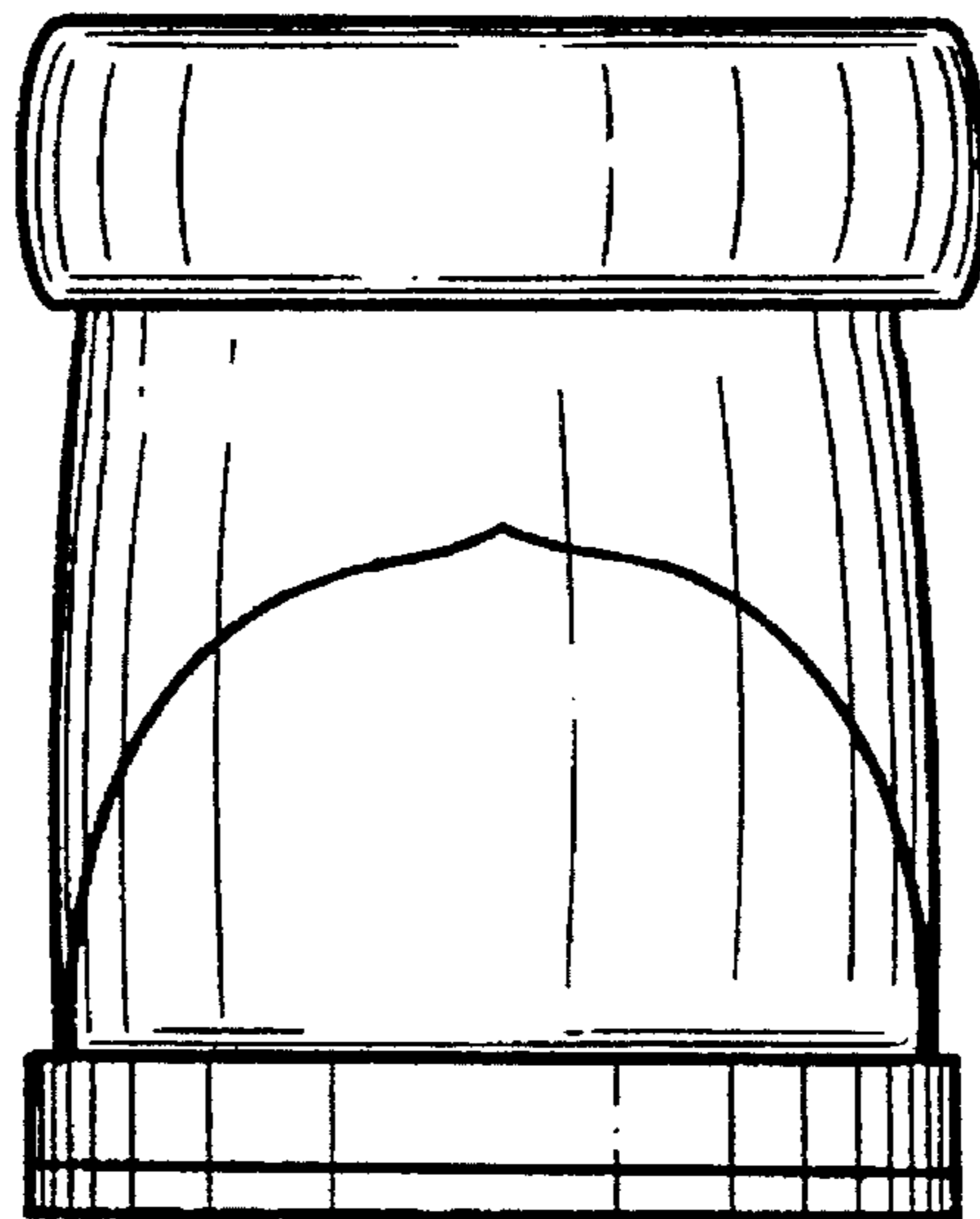


FIG. 3.

FIG. 4.

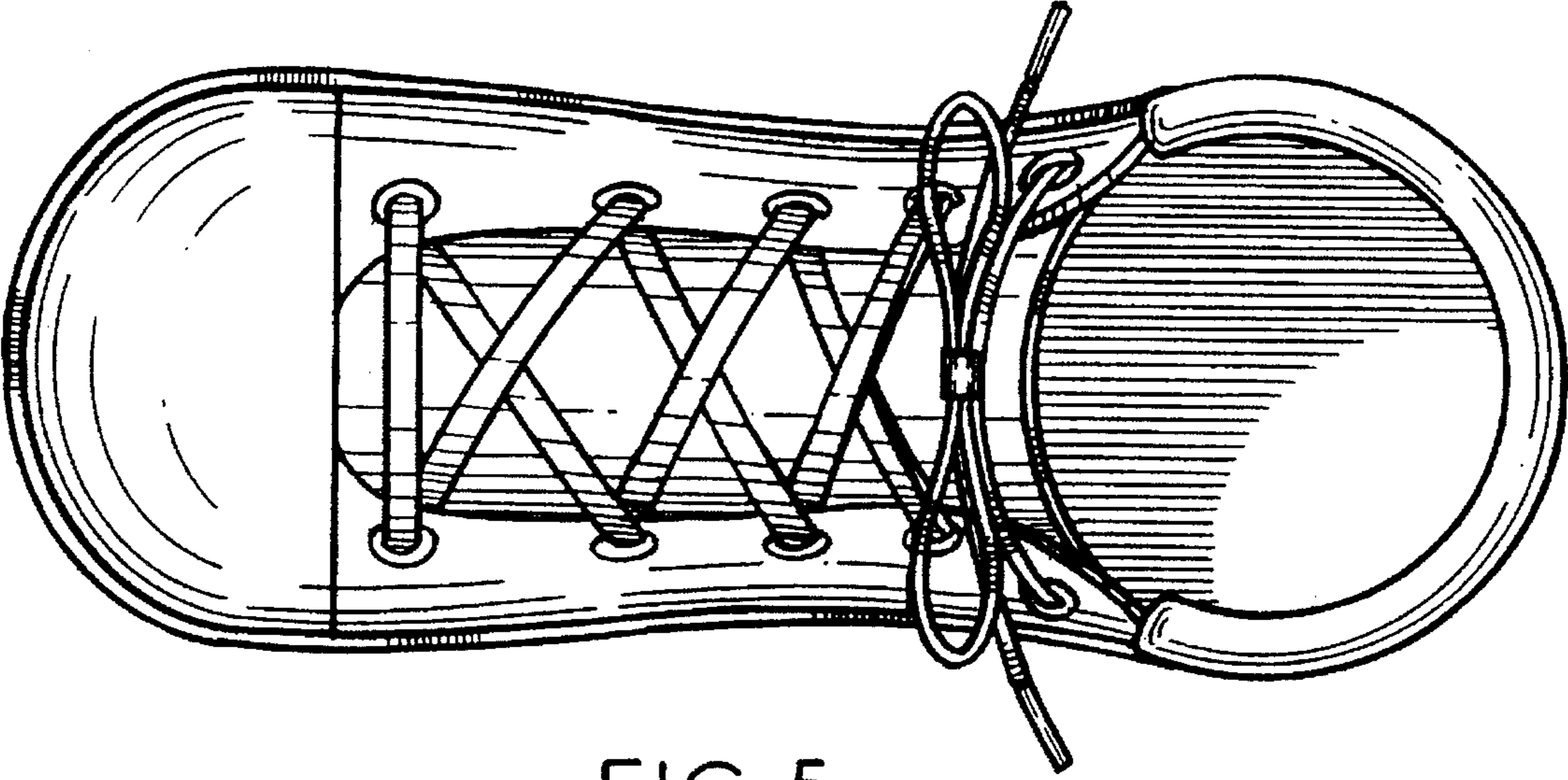
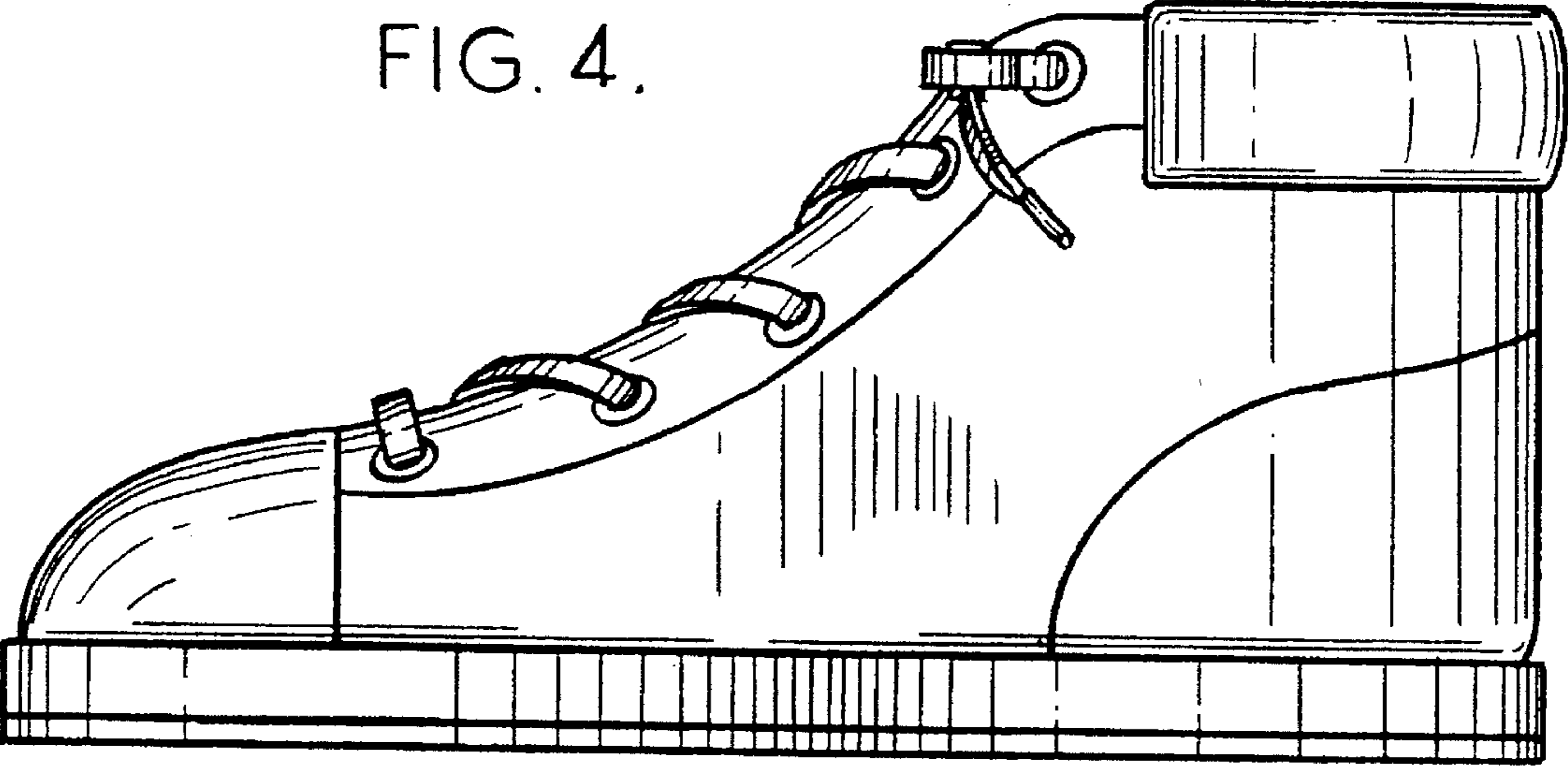


FIG. 5.