



US00D378544S

United States Patent [19]
Aldredge

[11] **Patent Number: Des. 378,544**

[45] **Date of Patent: **Mar. 18, 1997**

[54] **COLLAPSIBLE SAWHORSE BRACKET**

Attorney, Agent, or Firm—Jacox, Meckstroth & Jenkins

[76] Inventor: **Robert L. Aldredge**, 7525 Bratford Rd., Dayton, Ohio 45414

[57] **CLAIM**

[**] Term: **14 Years**

The ornamental design of a collapsible sawhorse bracket, as shown and described.

[21] Appl. No.: **49,358**

DESCRIPTION

[22] Filed: **Jan. 24, 1996**

[52] U.S. Cl. **D25/68**

[58] Field of Search D25/68; D8/349; 182/185; 248/121, 200, 210, 238

FIG. 1 is a perspective view of a collapsible sawhorse bracket showing my new design; the broken lines showing beams is for illustrative purposes only, and forms no part of the claimed design;

FIG. 2 is an end view thereof, the opposite end view being the same;

FIG. 3 is a top view thereof;

FIG. 4 is a bottom view thereof;

FIG. 5 is a side view thereof; and,

FIG. 6 is a view of the opposite side thereof.

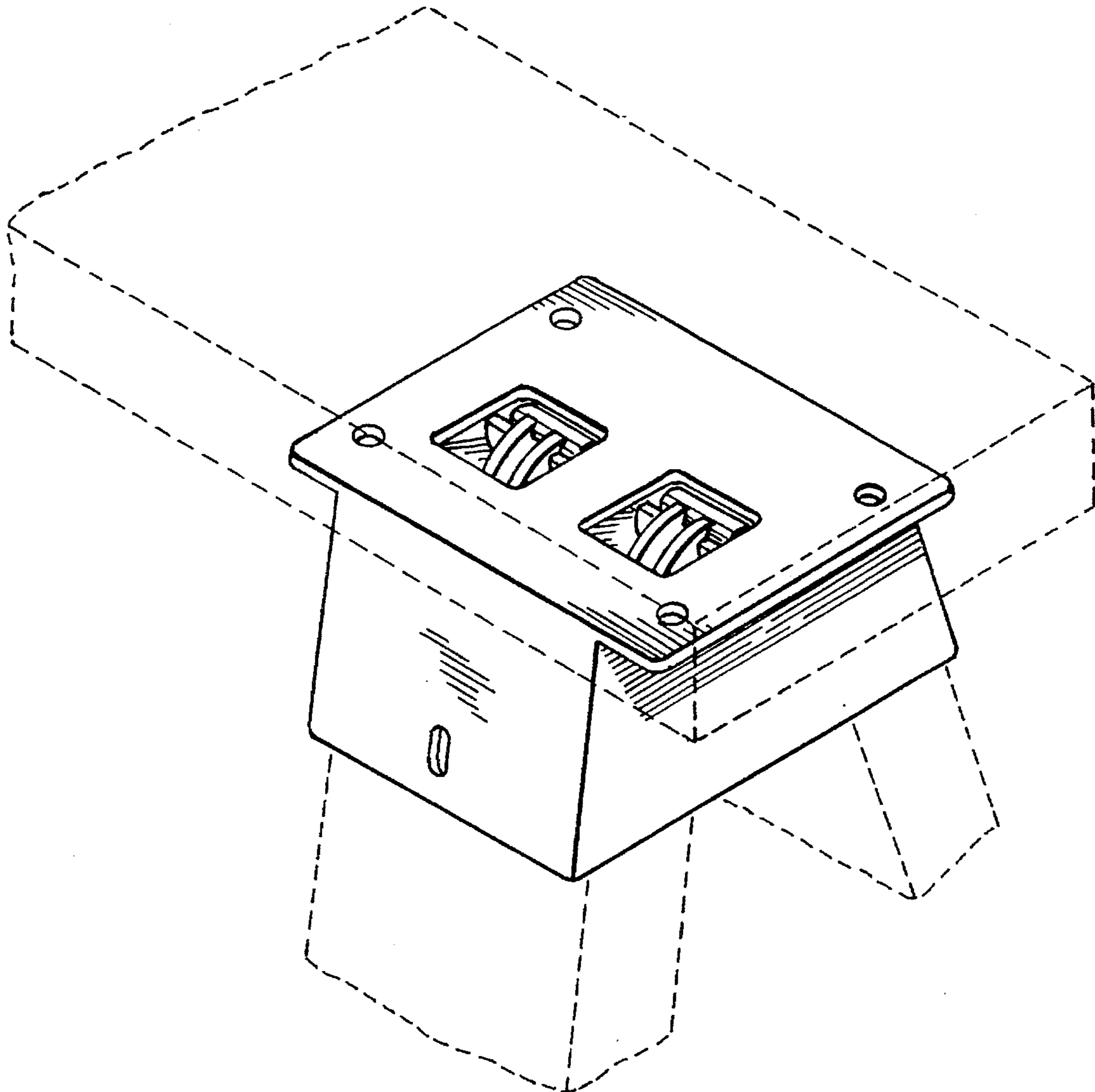
[56] **References Cited**

U.S. PATENT DOCUMENTS

D. 352,788	11/1994	Sheftel	D25/68
4,770,274	9/1988	Middleton	182/185
4,911,390	3/1990	Flick	182/181

Primary Examiner—Doris Clark

1 Claim, 1 Drawing Sheet



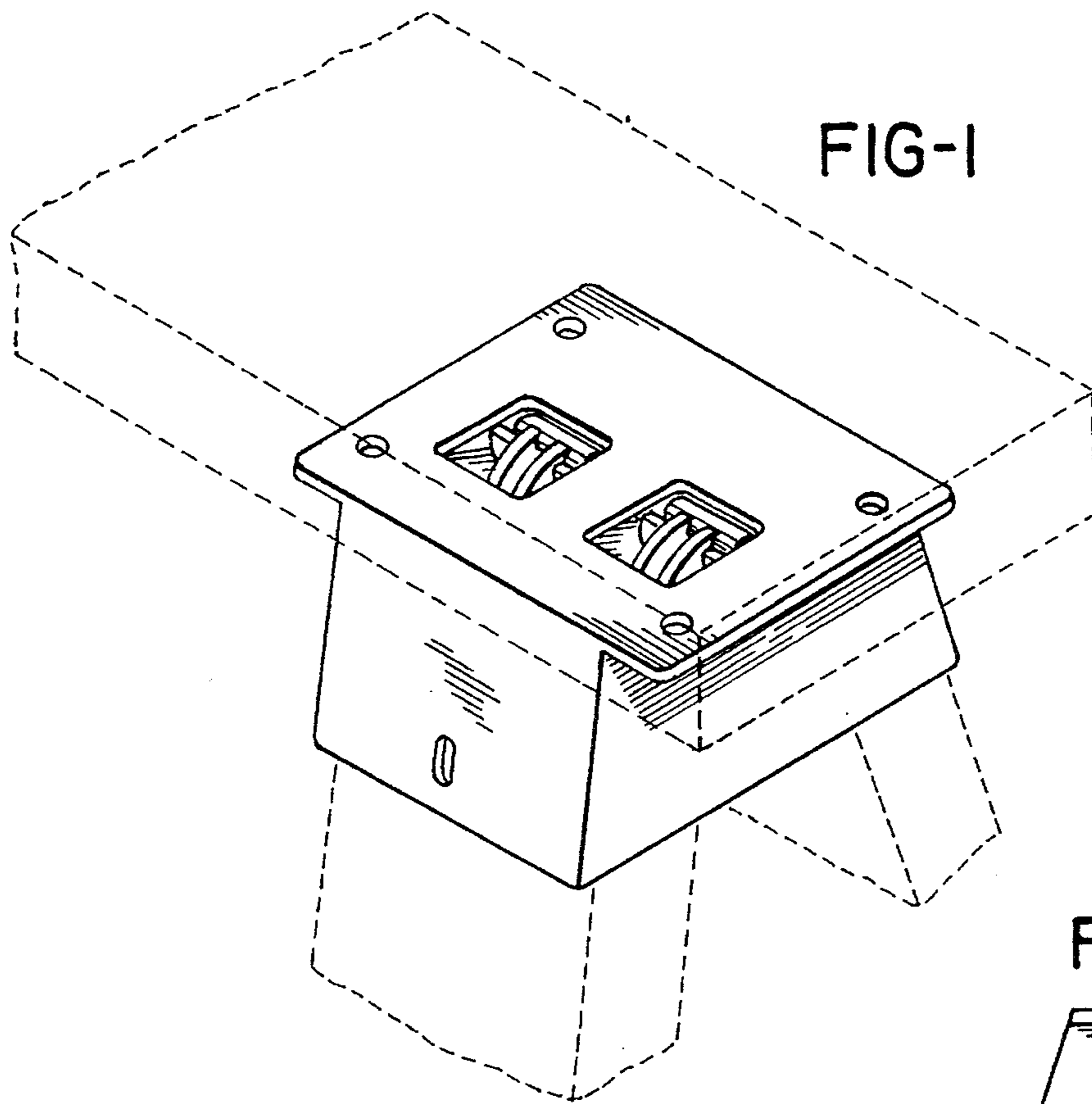


FIG-2

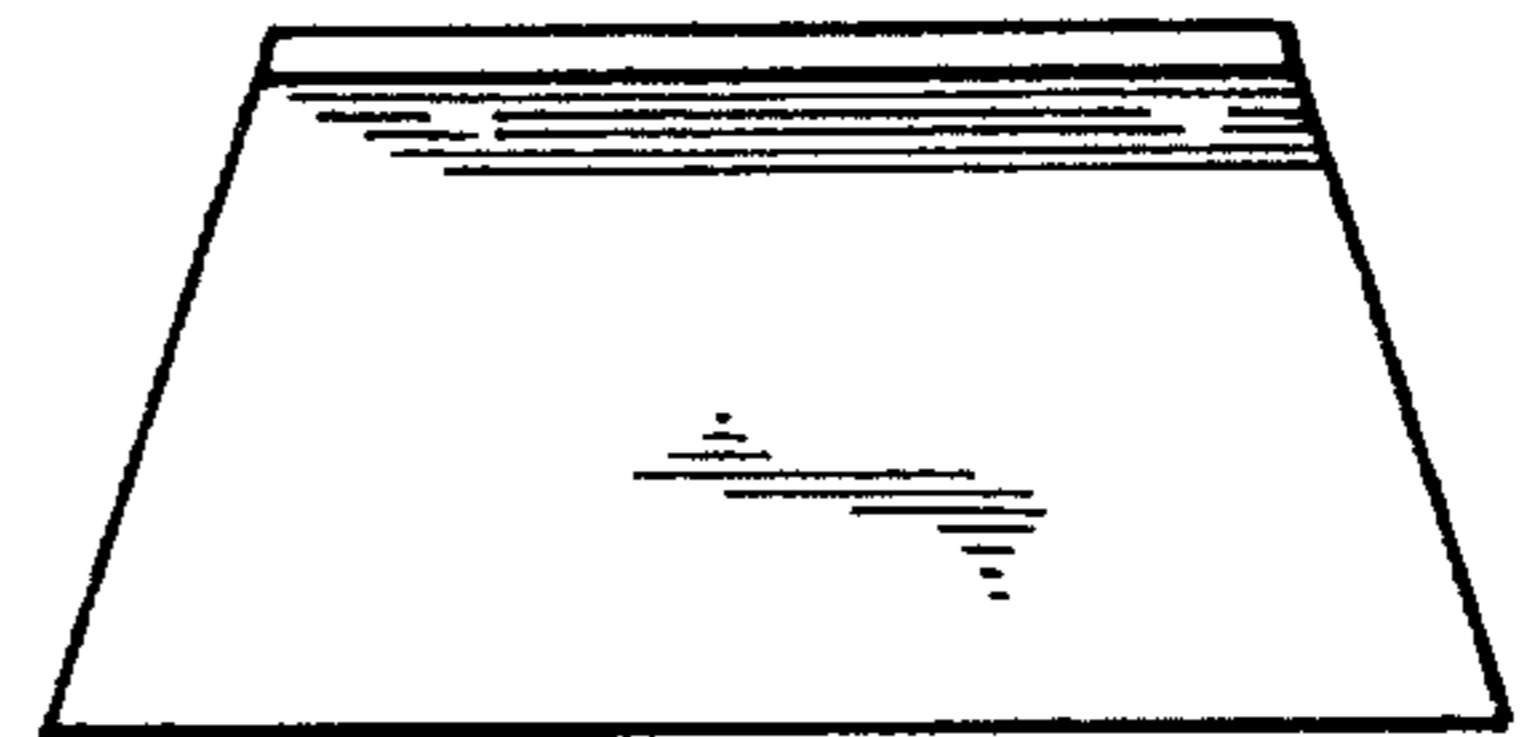


FIG-3

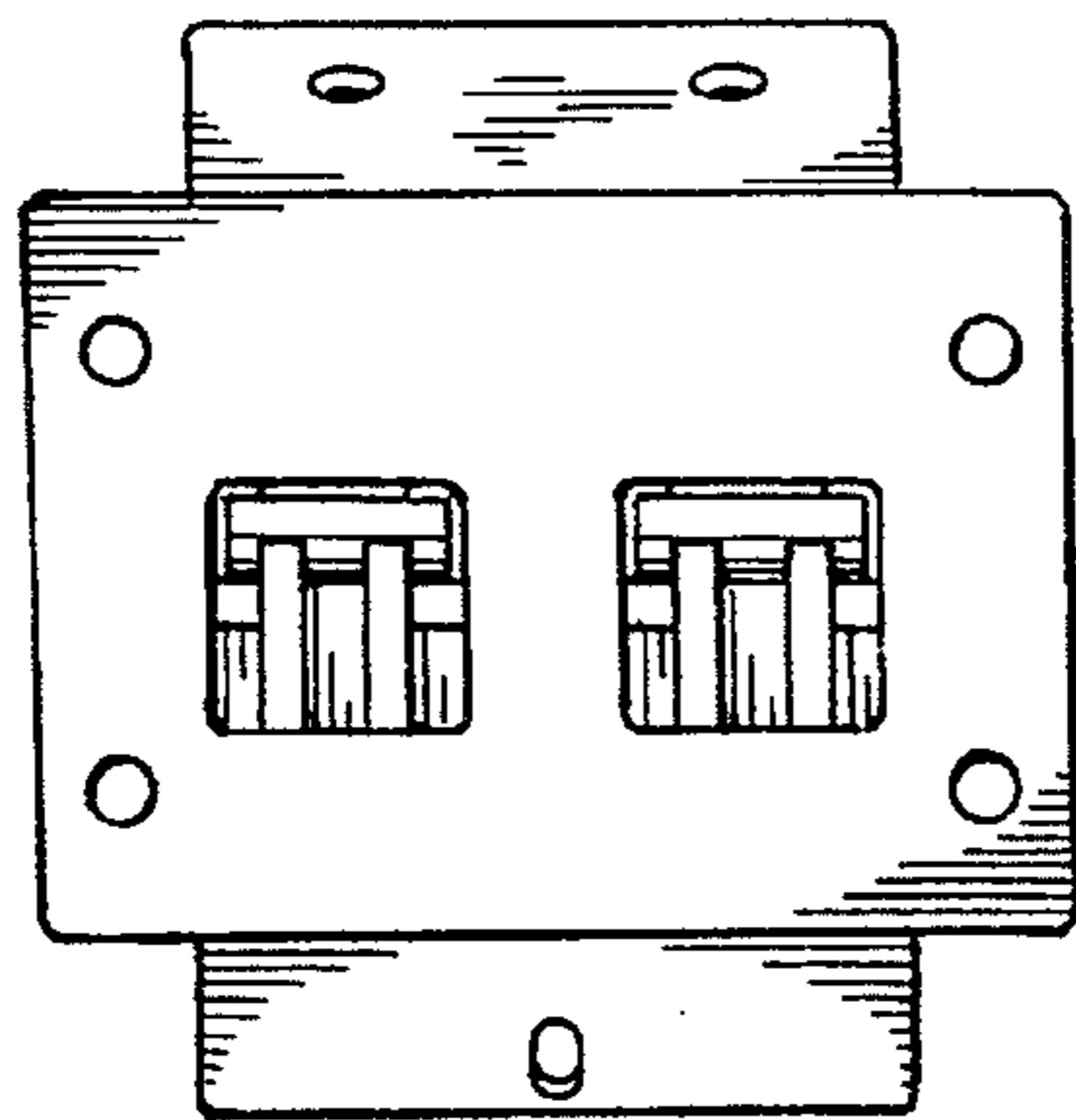


FIG-4

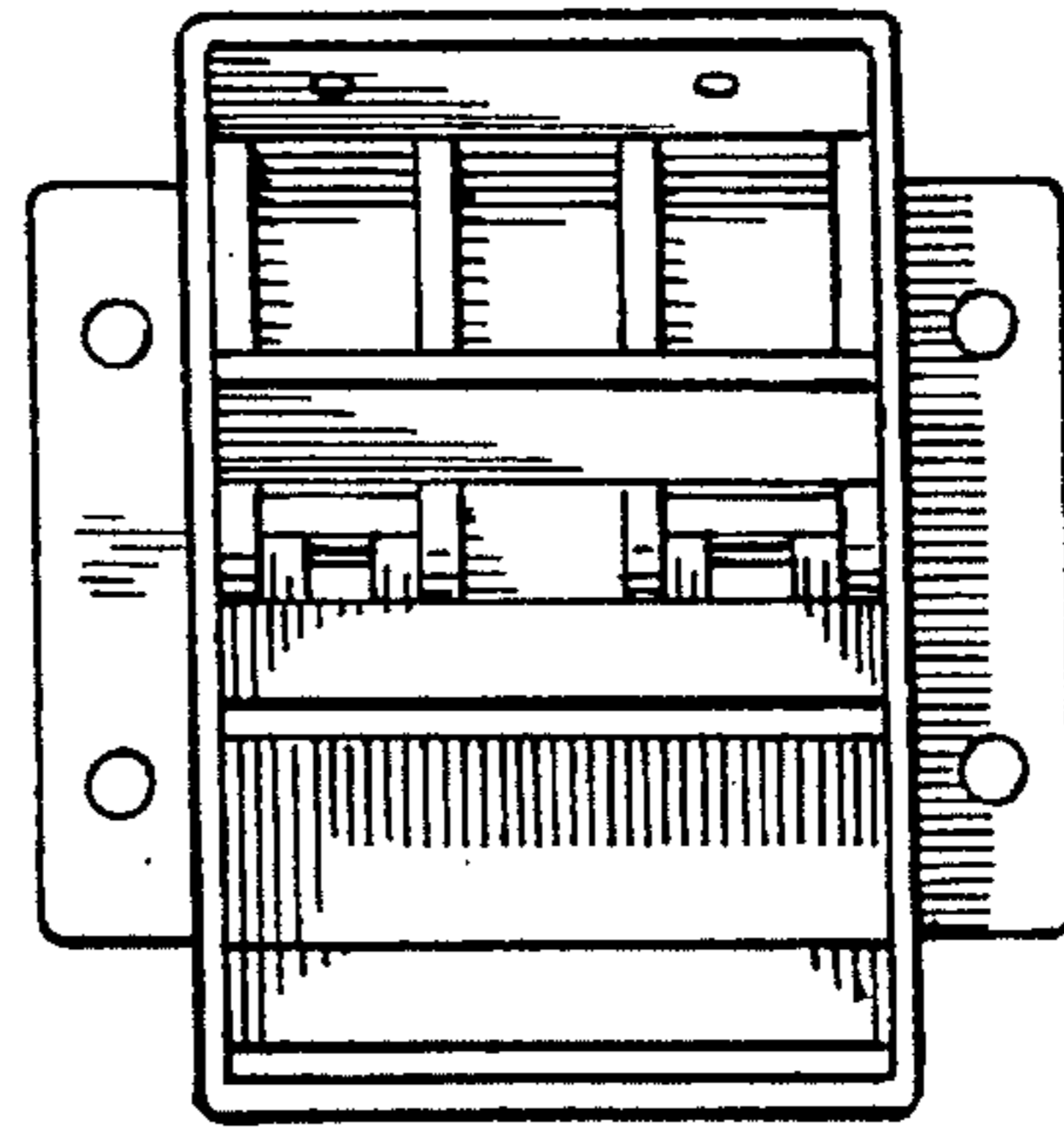


FIG-5

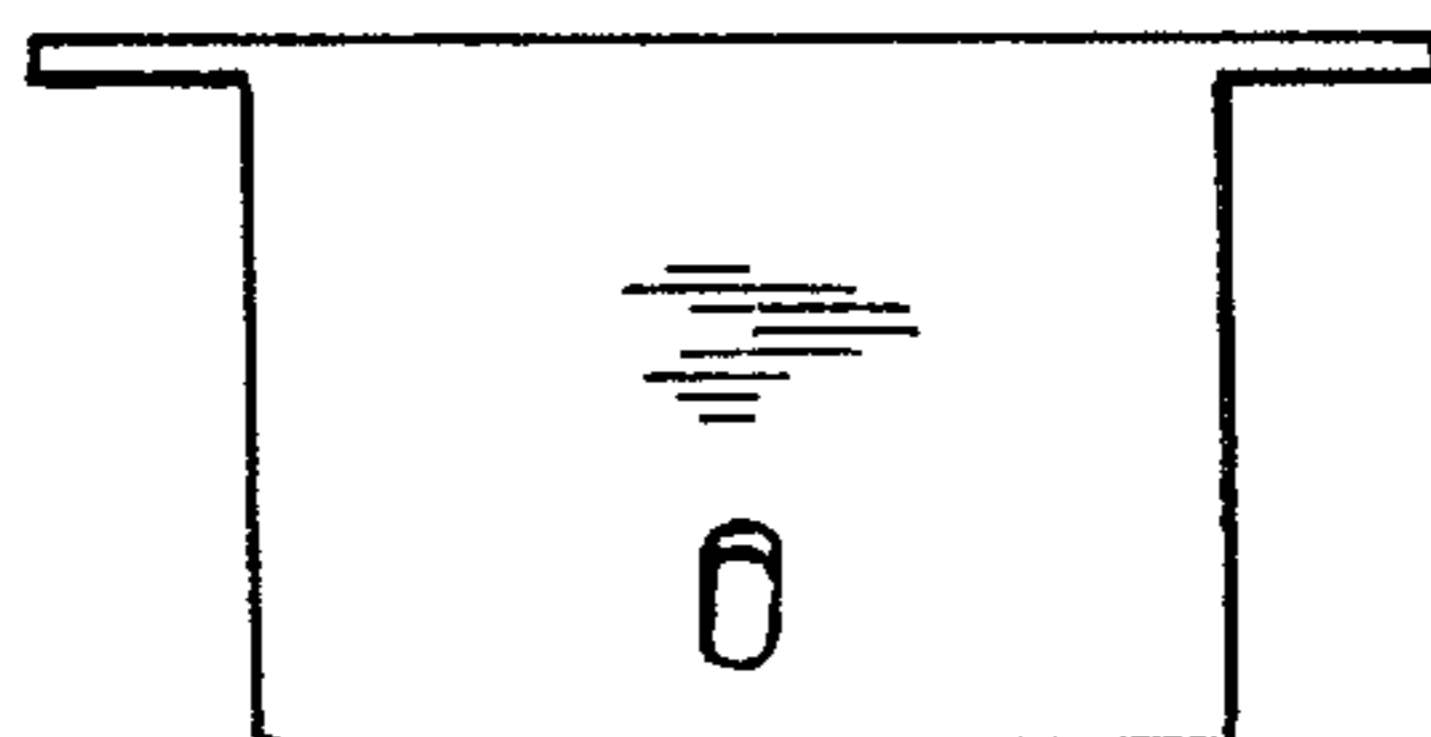


FIG-6

