



US00D378520S

United States Patent [19]

[11] Patent Number: **Des. 378,520**

Hyougo

[45] Date of Patent: ****Mar. 18, 1997**

[54] **FRONT SECTION OF A VIDEO CASSETTE RECORDER**

[75] Inventor: **Kuninori Hyougo**, Tokyo, Japan

[73] Assignee: **Sony Corporation**, Tokyo, Japan

[**] Term: **14 Years**

[21] Appl. No.: **32,453**

[22] Filed: **Dec. 19, 1994**

[52] U.S. Cl. **D14/135**

[58] Field of Search D14/124, 135,
D14/136, 156, 239, 299

[56] **References Cited**

U.S. PATENT DOCUMENTS

D. 313,799	1/1991	Shim	D14/135
D. 339,120	9/1993	Shimose et al.	D14/135
D. 345,156	3/1994	Ishibashi et al.	D14/135
D. 348,264	6/1994	Byun	D14/135

Primary Examiner—B. J. Bullock

Assistant Examiner—Richelle Shelton

Attorney, Agent, or Firm—Beveridge, DeGrandi, Weilacher & Young, LLP

[57] **CLAIM**

The ornamental design for a front section of a video cassette recorder, as shown and described.

DESCRIPTION

FIG. 1 is a perspective view of a front section of a video cassette recorder showing my new design;
 FIG. 2 is a front elevation view thereof;
 FIG. 3 is a top plan view thereof;
 FIG. 4 is a bottom plan view thereof;
 FIG. 5 is a left side elevation view thereof;
 FIG. 6 is a right side elevation view thereof;
 FIG. 7 is a perspective view of the front section of the video cassette recorder with the main door in the open position;
 FIG. 8 is a bottom plan view thereof;
 FIG. 9 is a left side elevation view thereof;
 FIG. 10 is a right side elevation view thereof;
 FIG. 11 is a perspective view of the front section of the video cassette recorder with the lower door in the open position;
 FIG. 12 is a front elevation view thereof;
 FIG. 13 is a top plan view thereof;
 FIG. 14 is a bottom plan view thereof;
 FIG. 15 is a left side elevation thereof; and,
 FIG. 16 is a right side elevation view thereof.

The broken line showing the rear portion of the video cassette recorder is for illustrative purposes only and forms no part of the claimed design.

The broken lines depict the boundary of the front section of video cassette recorder and form no part of the claimed design.

1 Claim, 6 Drawing Sheets

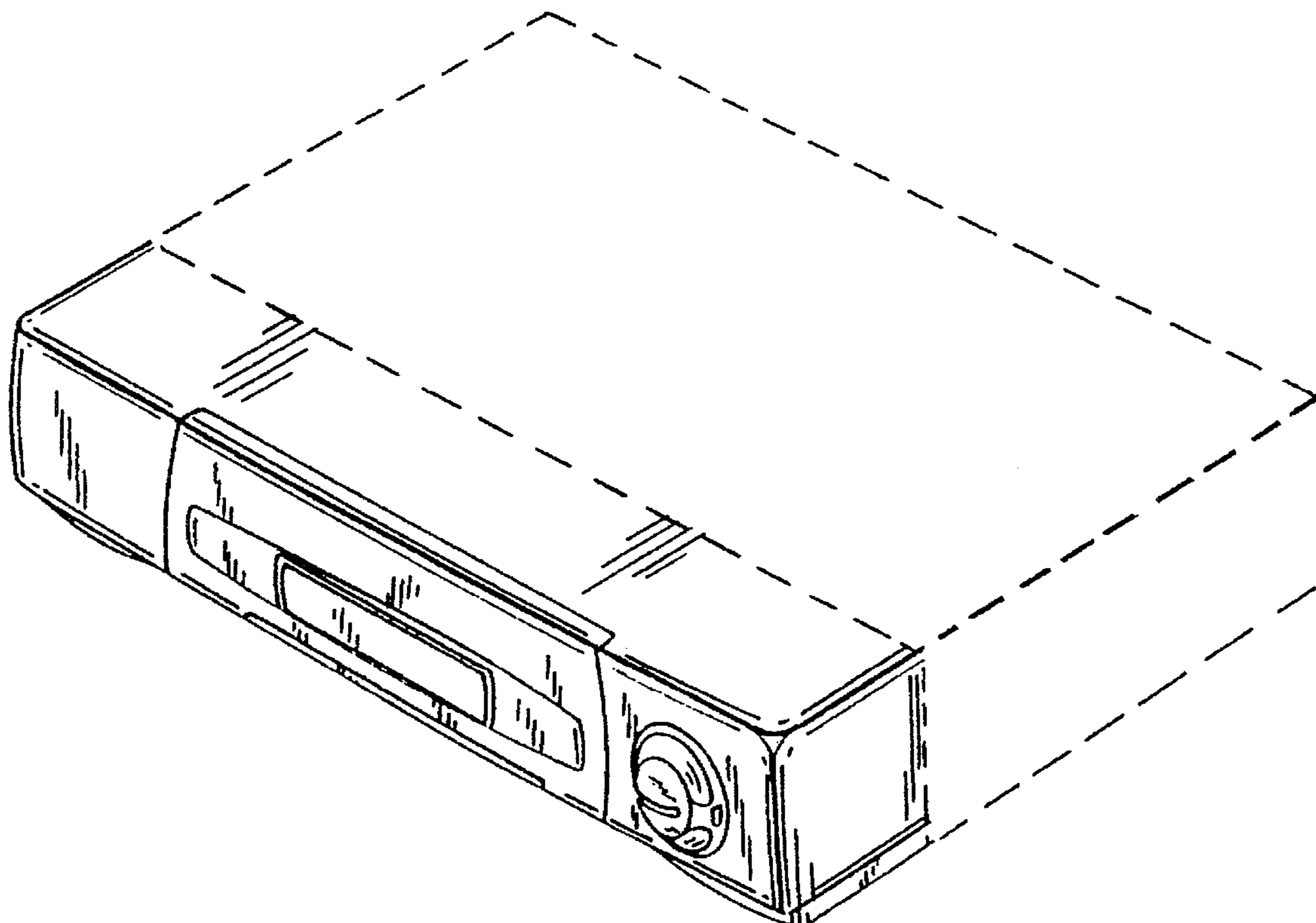


FIG. 1

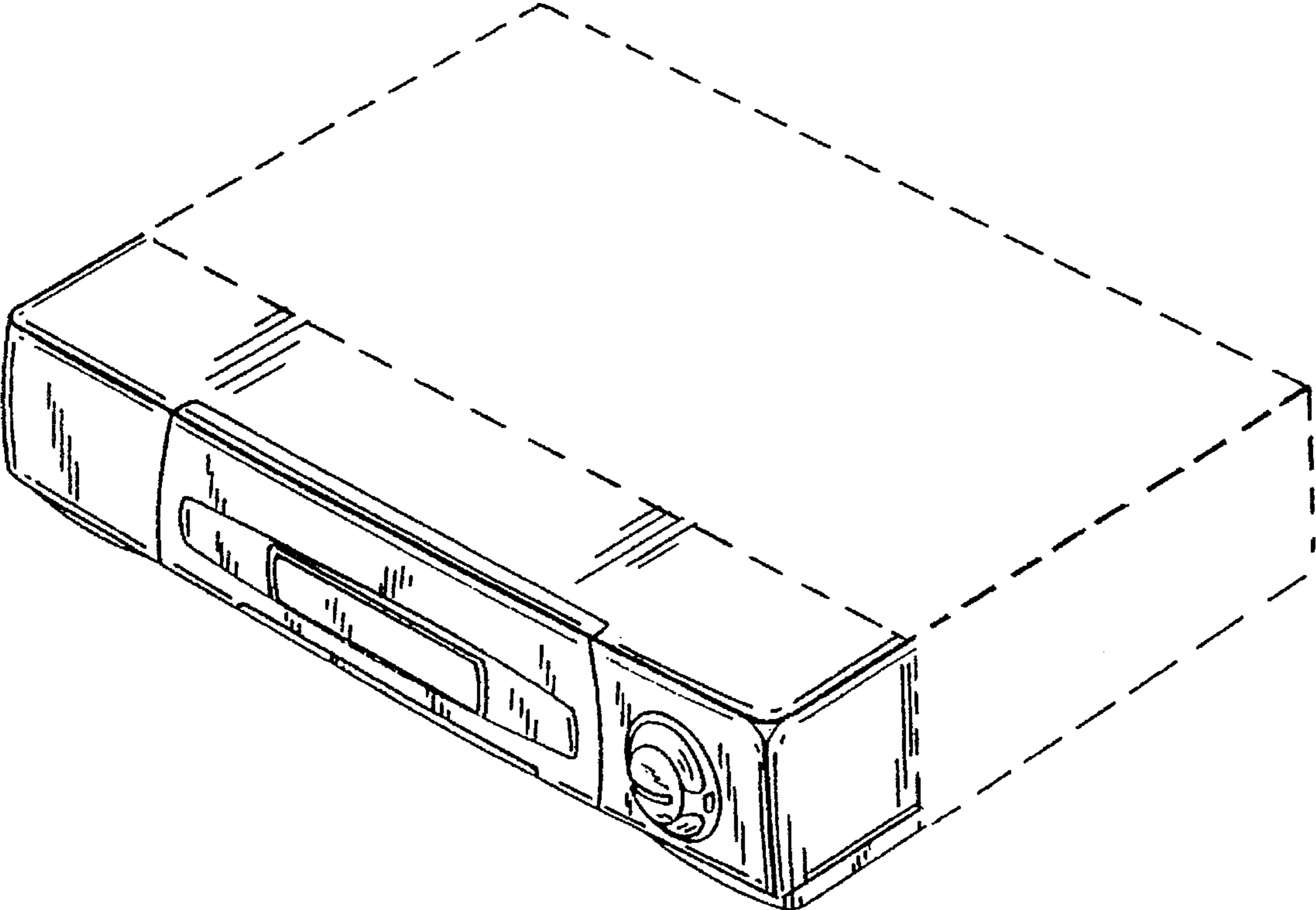


FIG. 2



FIG. 3

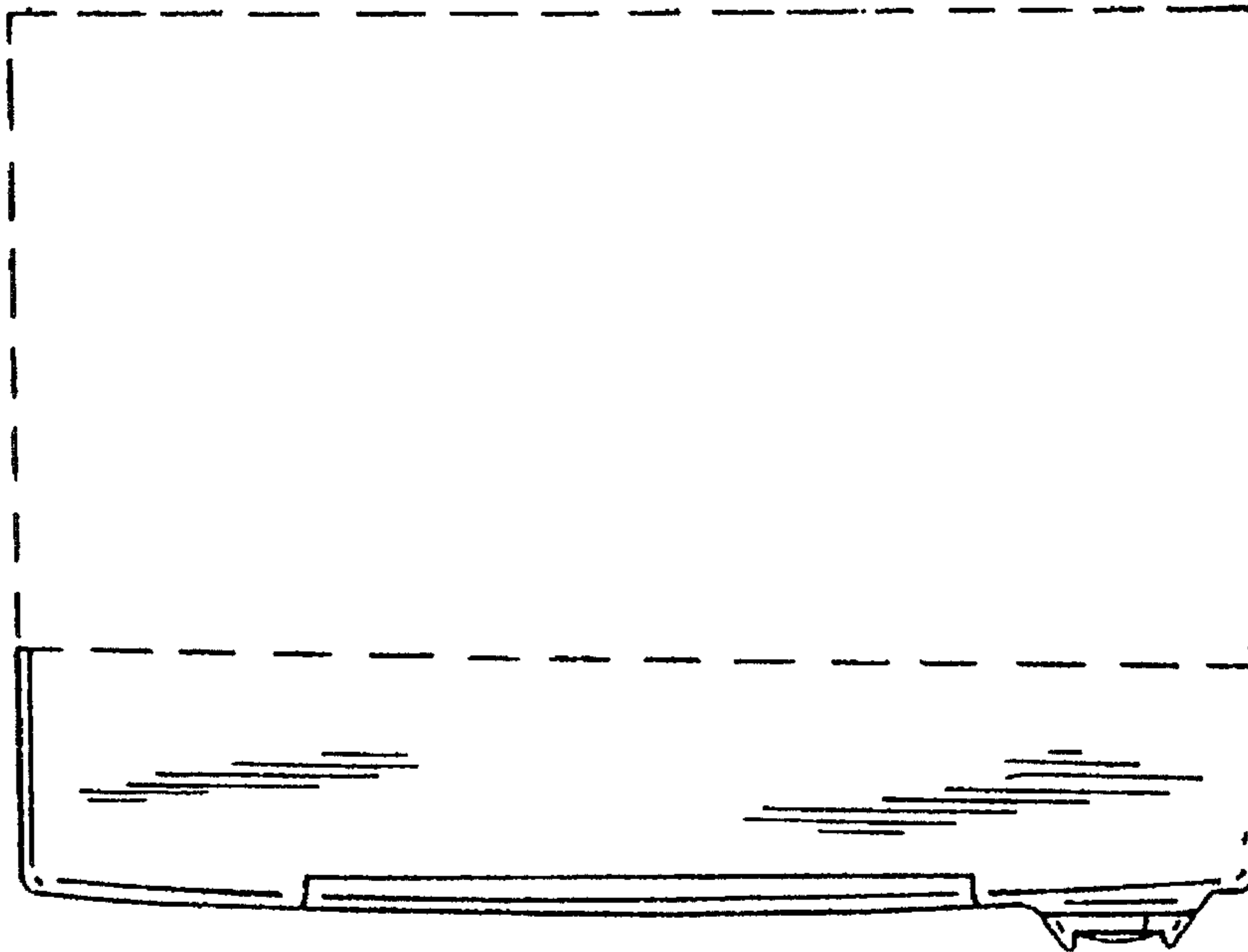


FIG. 4

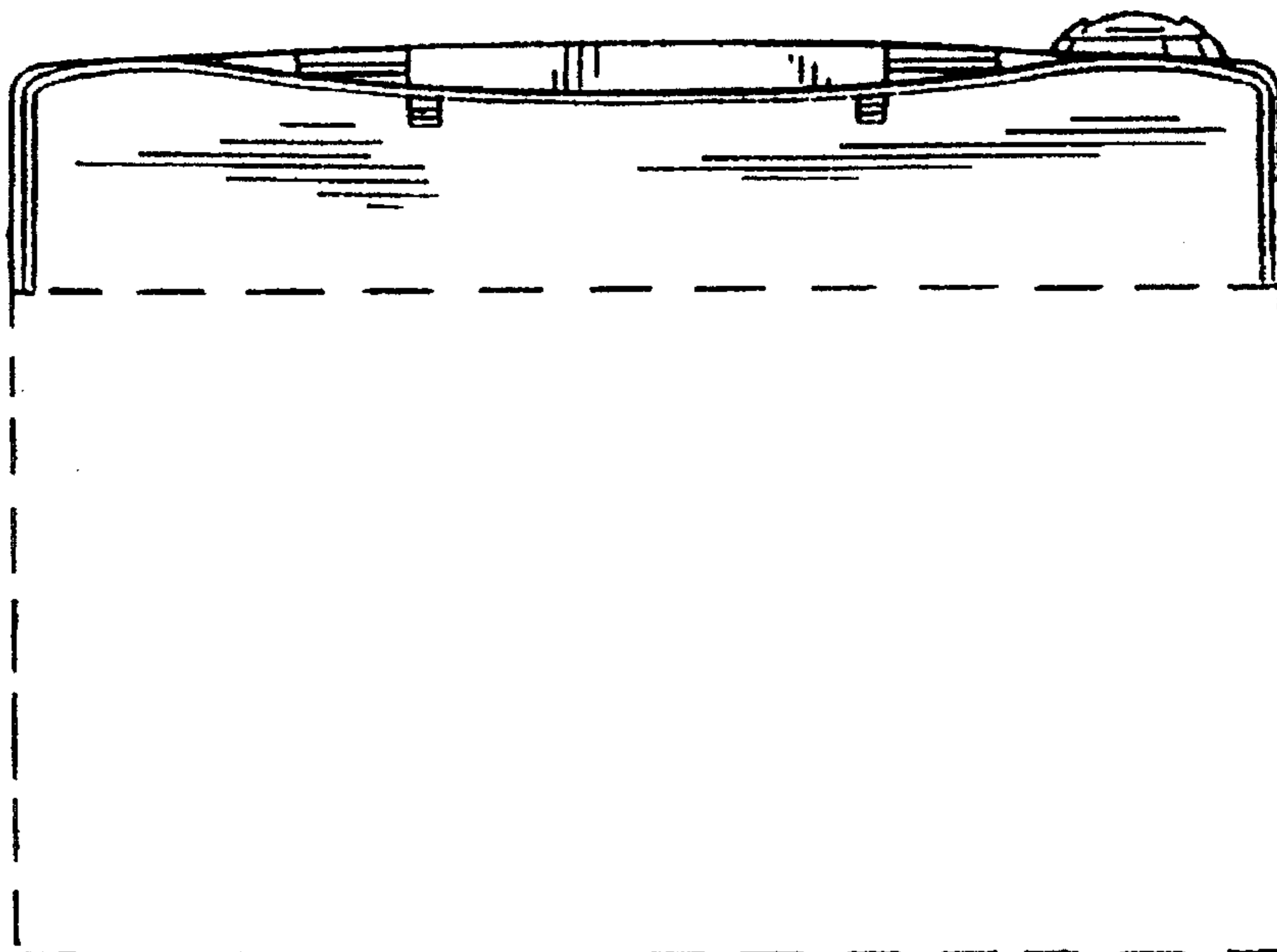


FIG. 5

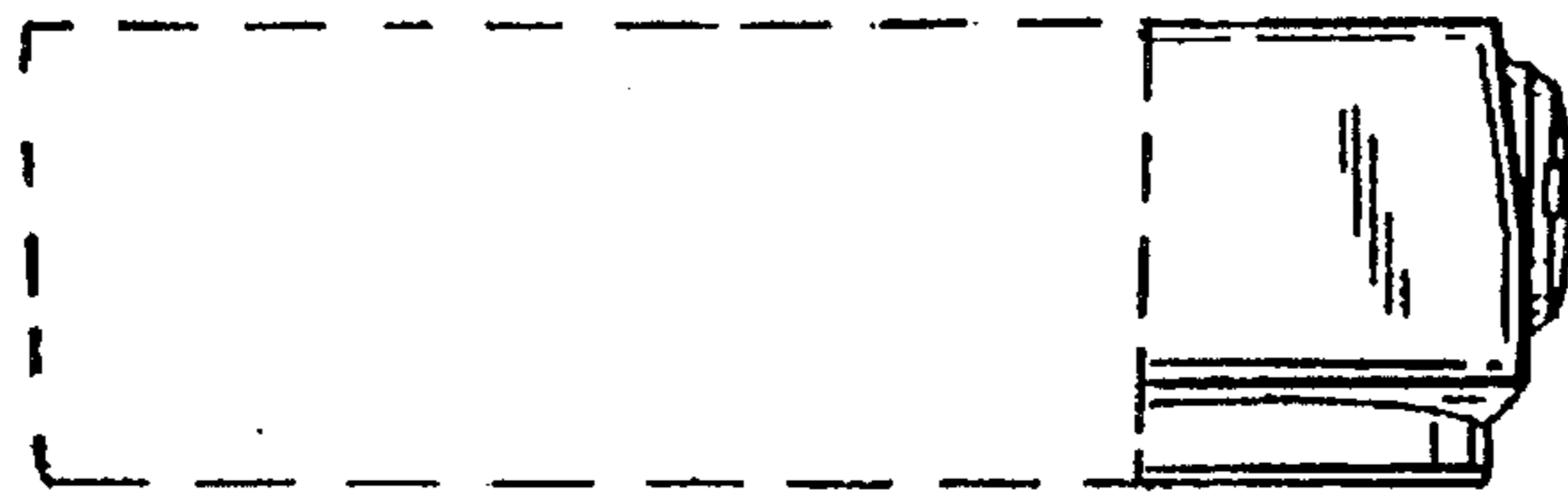


FIG. 6

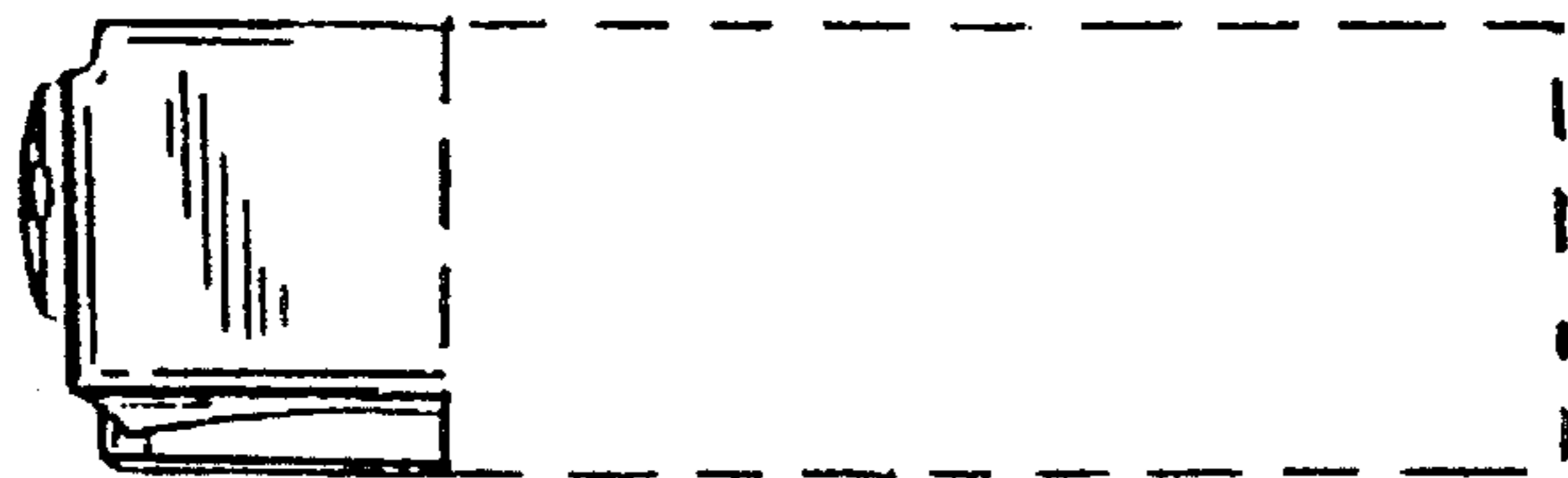


FIG. 7

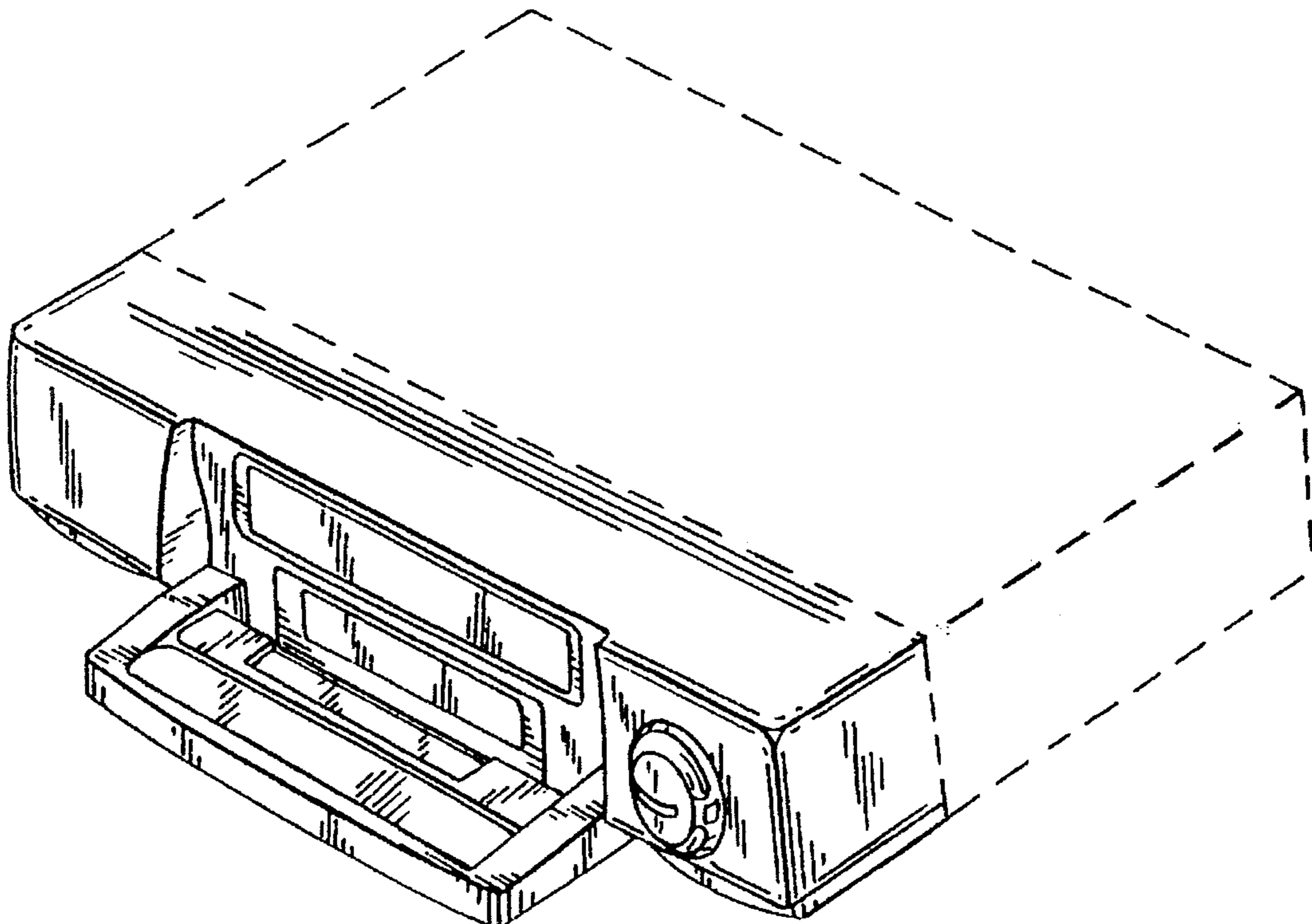


FIG. 8

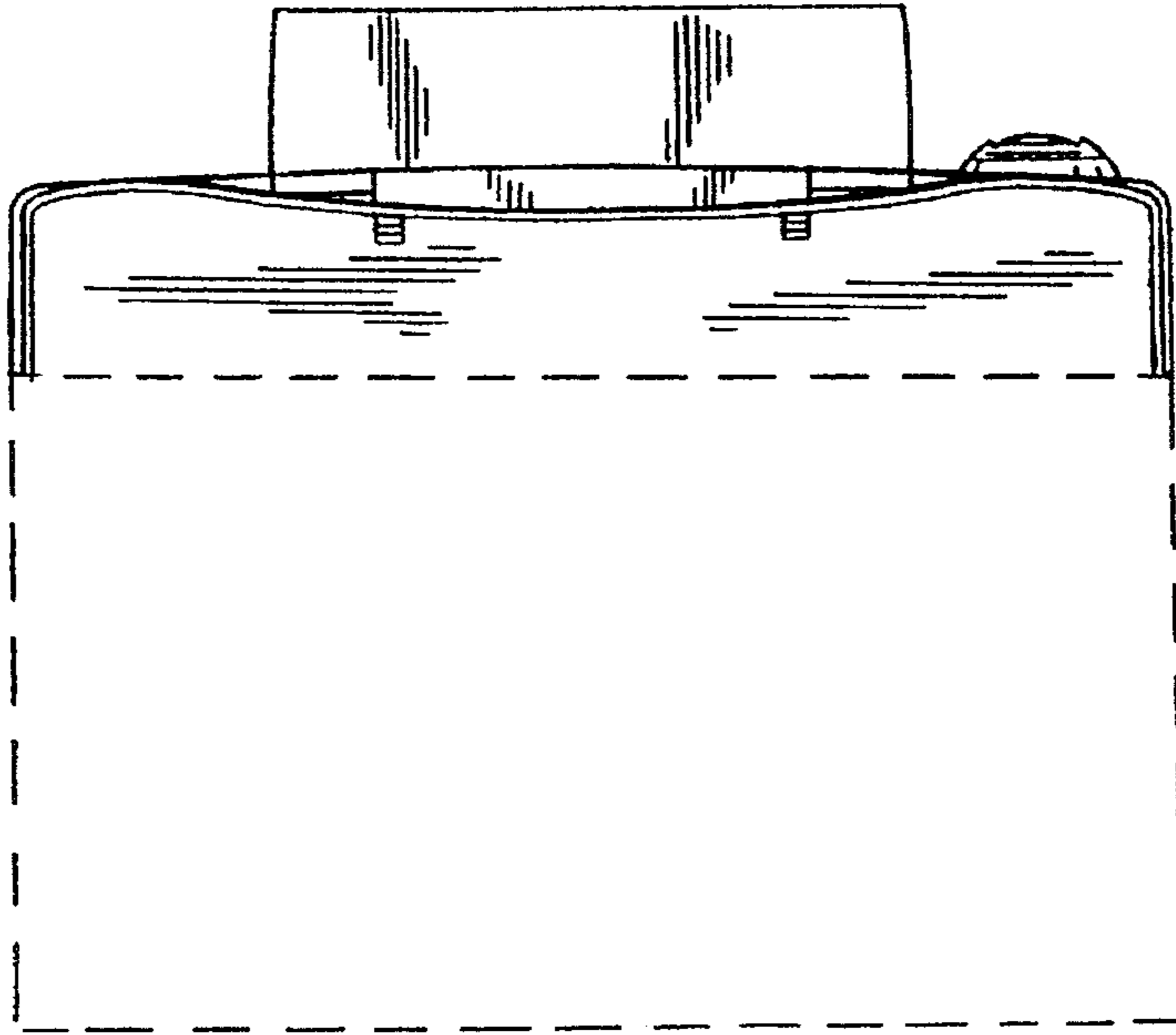


FIG. 9



FIG. 10

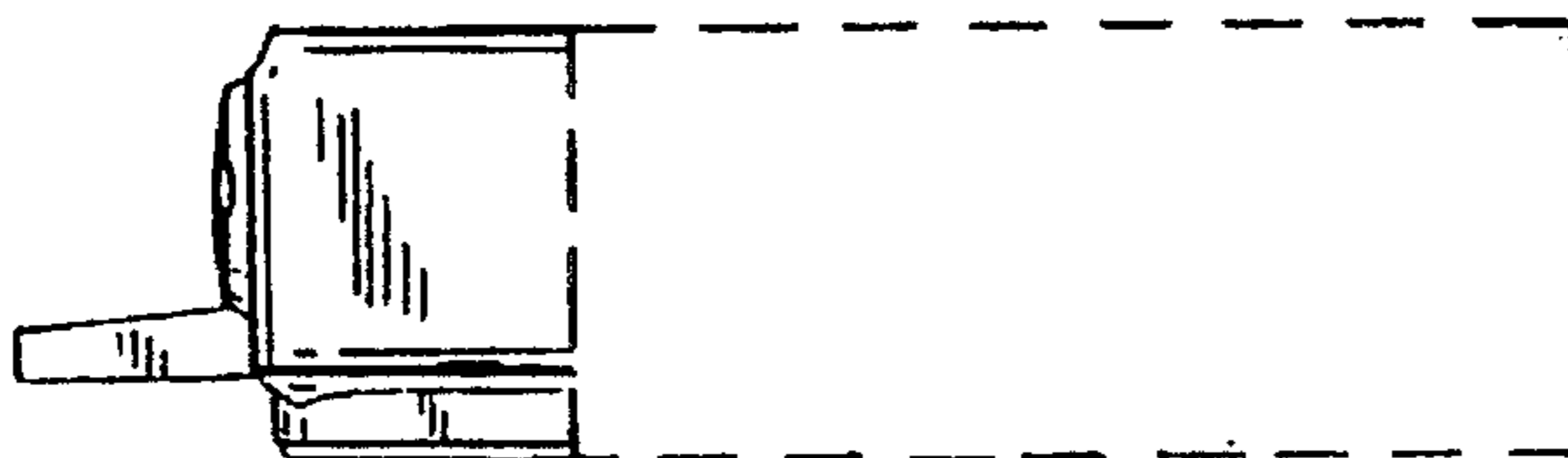


FIG. 11

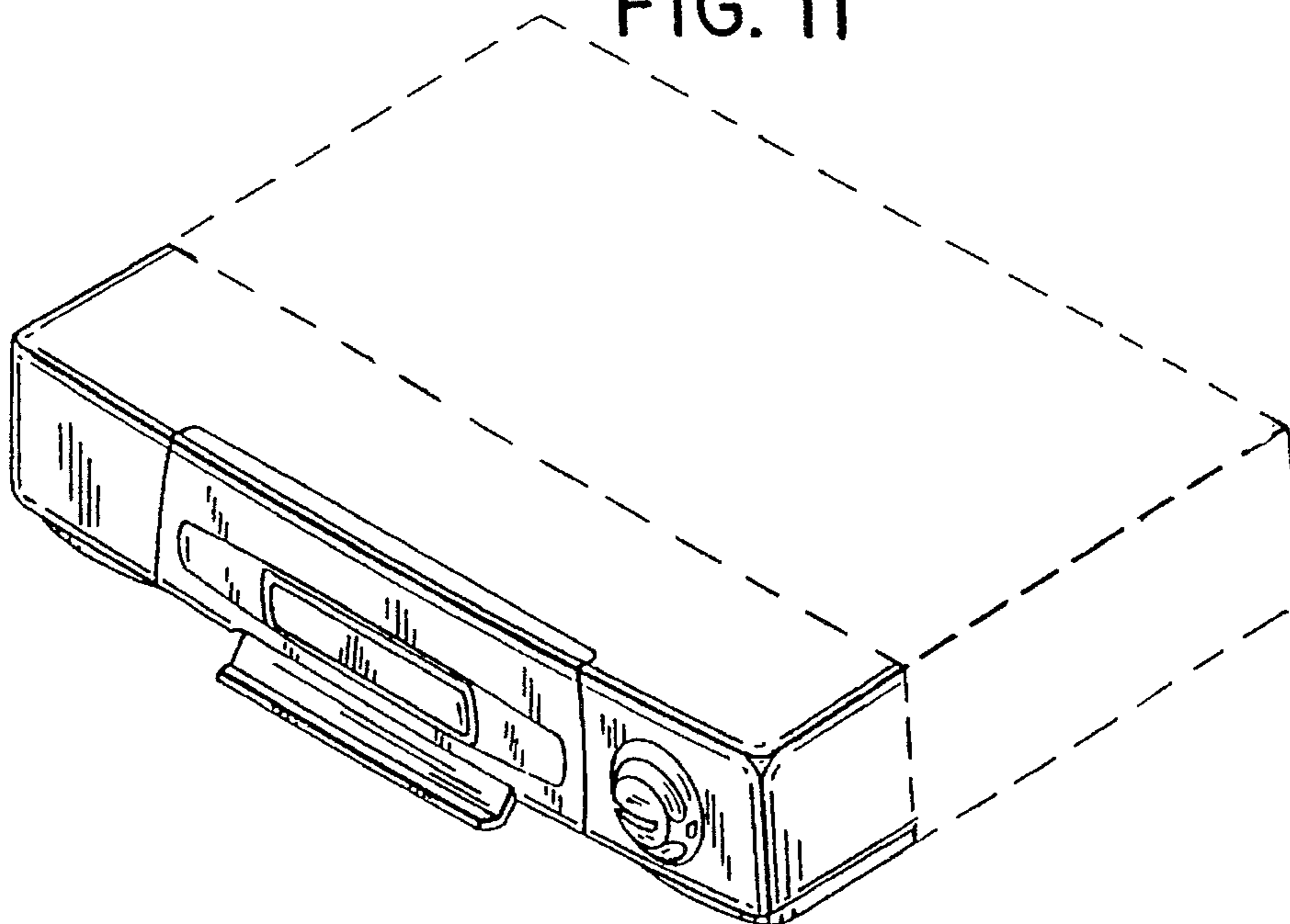


FIG. 12

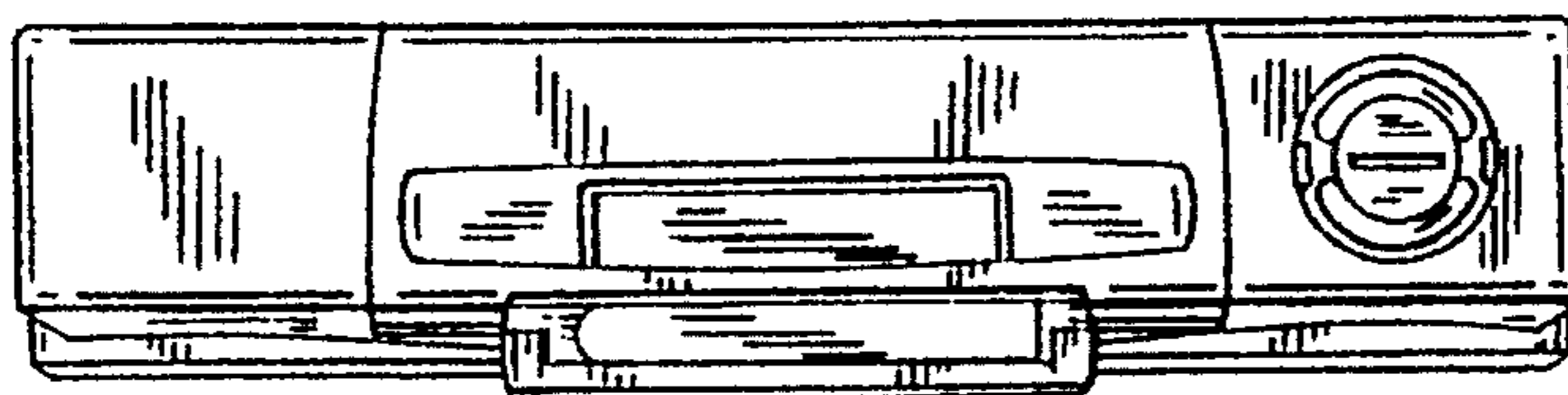


FIG. 13

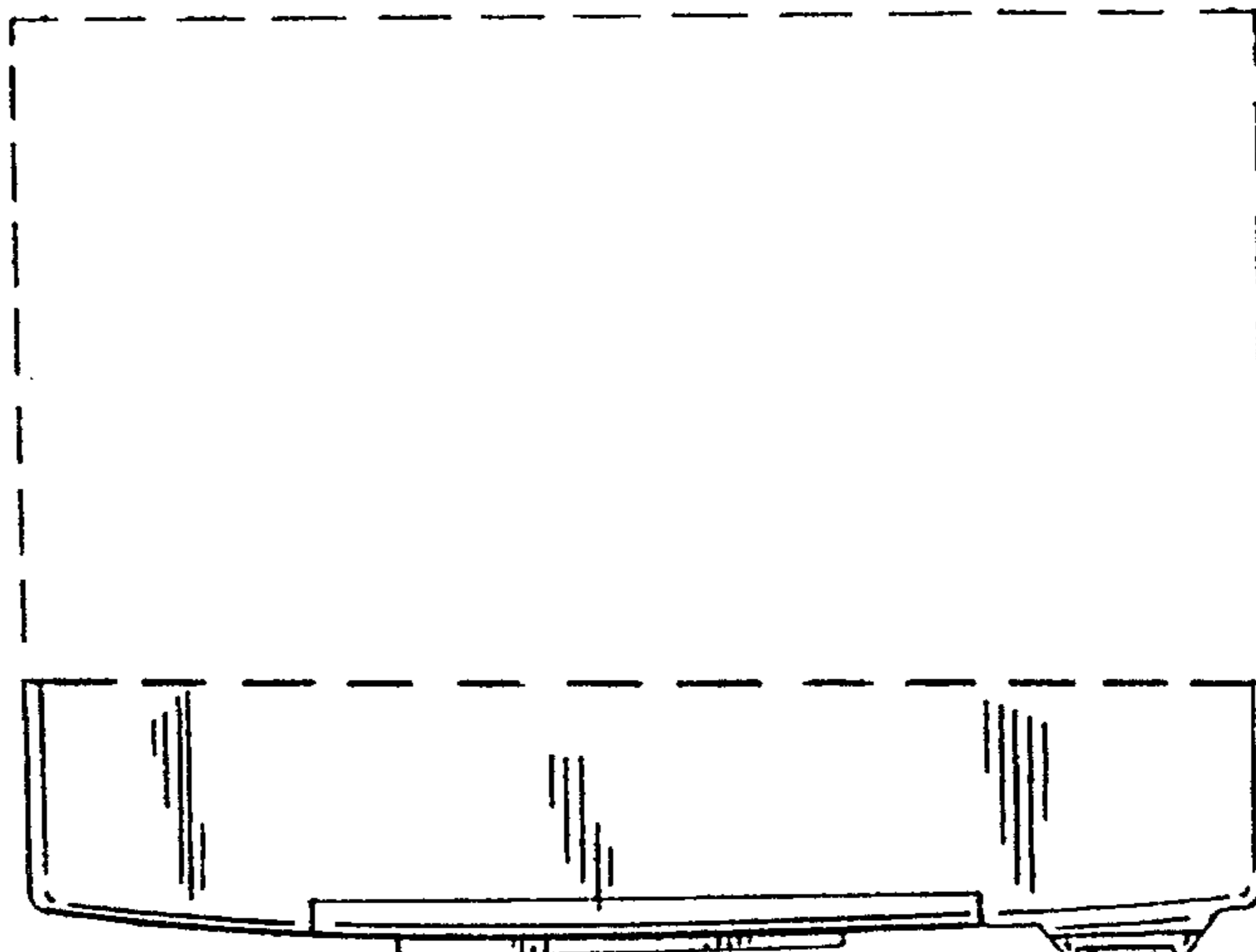


FIG. 14

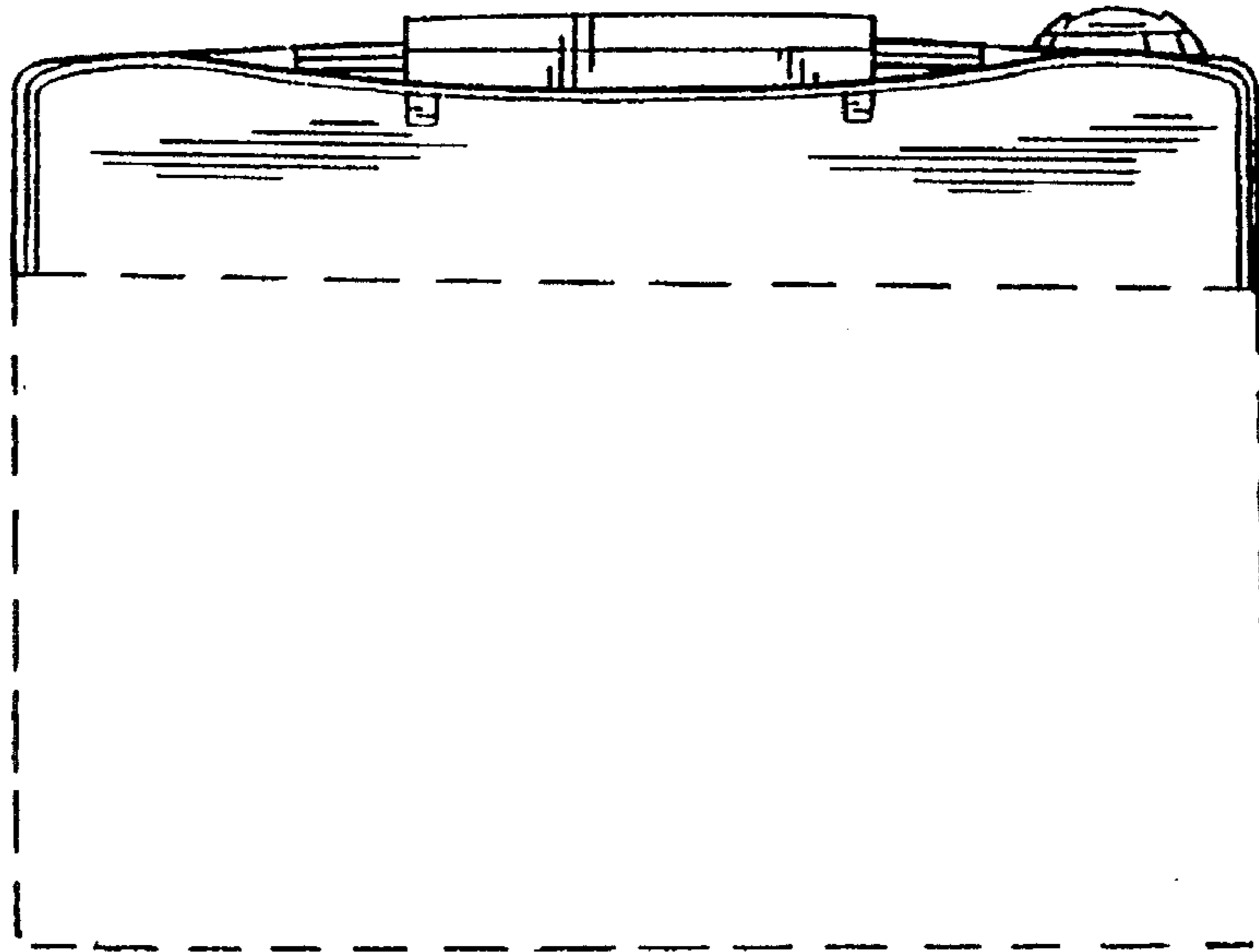


FIG. 15

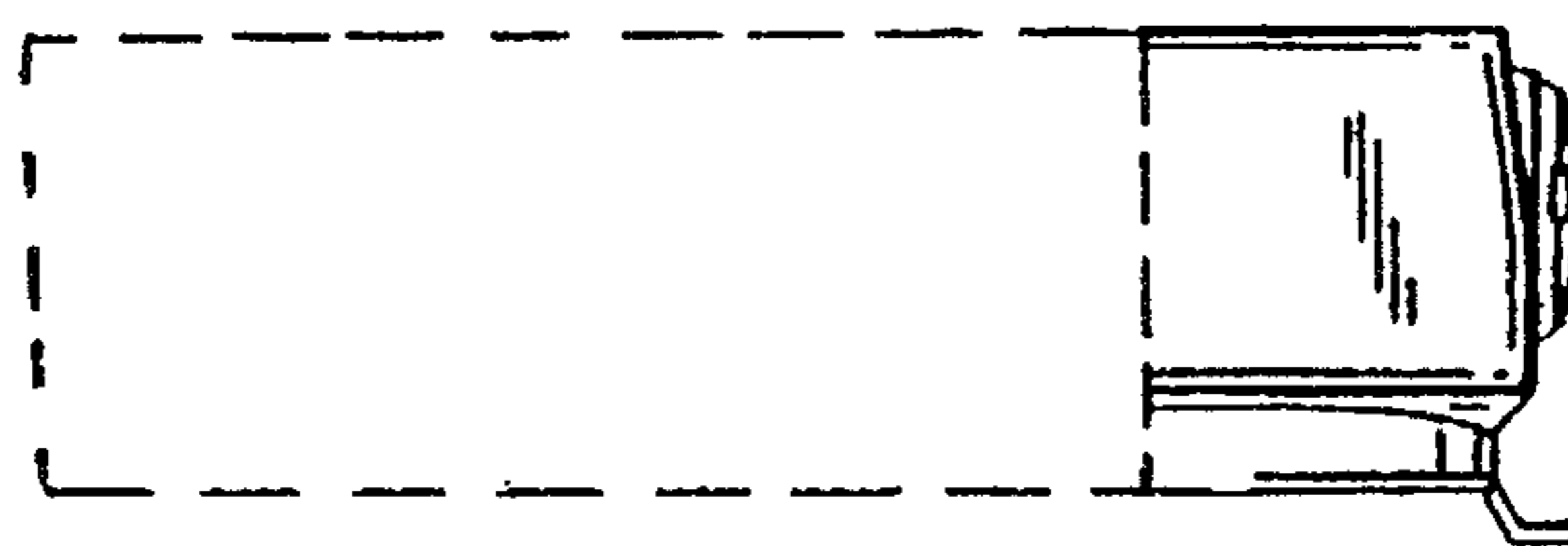


FIG. 16

