



US00D378513S

United States Patent [19]

Bandas et al.

[11] **Patent Number: Des. 378,513**

[45] **Date of Patent: **Mar. 18, 1997**

[54] **SOLENOID ASSEMBLY**

[75] Inventors: **John Bandas**, Streamwood; **Pete Stocco**, Schaumburg, both of Ill.

[73] Assignee: **Synchro-Start Products, Inc.**, Niles, Ill.

[**] Term: **14 Years**

[21] Appl. No.: **47,403**

[22] Filed: **Dec. 4, 1995**

[52] U.S. Cl. **D13/183**

[58] Field of Search **D18/166, 183; 335/251, 255, 278**

[56] **References Cited**

U.S. PATENT DOCUMENTS

| | | | |
|------------|---------|---------------------|---------|
| D. 342,941 | 1/1994 | Tannenbaum et al. . | |
| 2,533,187 | 12/1950 | Cataldo et al. . | |
| 3,215,902 | 11/1965 | Foley et al. . | |
| 3,890,587 | 6/1975 | Field | 335/255 |
| 4,153,890 | 5/1979 | Coors . | |
| 4,217,567 | 8/1980 | Roy et al. . | |
| 4,679,017 | 7/1987 | Mishler et al. . | |

OTHER PUBLICATIONS

Vanner Incorporated, "Power Conversion and Control Systems for Mobile, Remote and Alternate Energy Applications," Catalog No. 100.

Primary Examiner—Antoine Duval Davis
Attorney, Agent, or Firm—Wallenstein & Wagner, Ltd.

[57] **CLAIM**

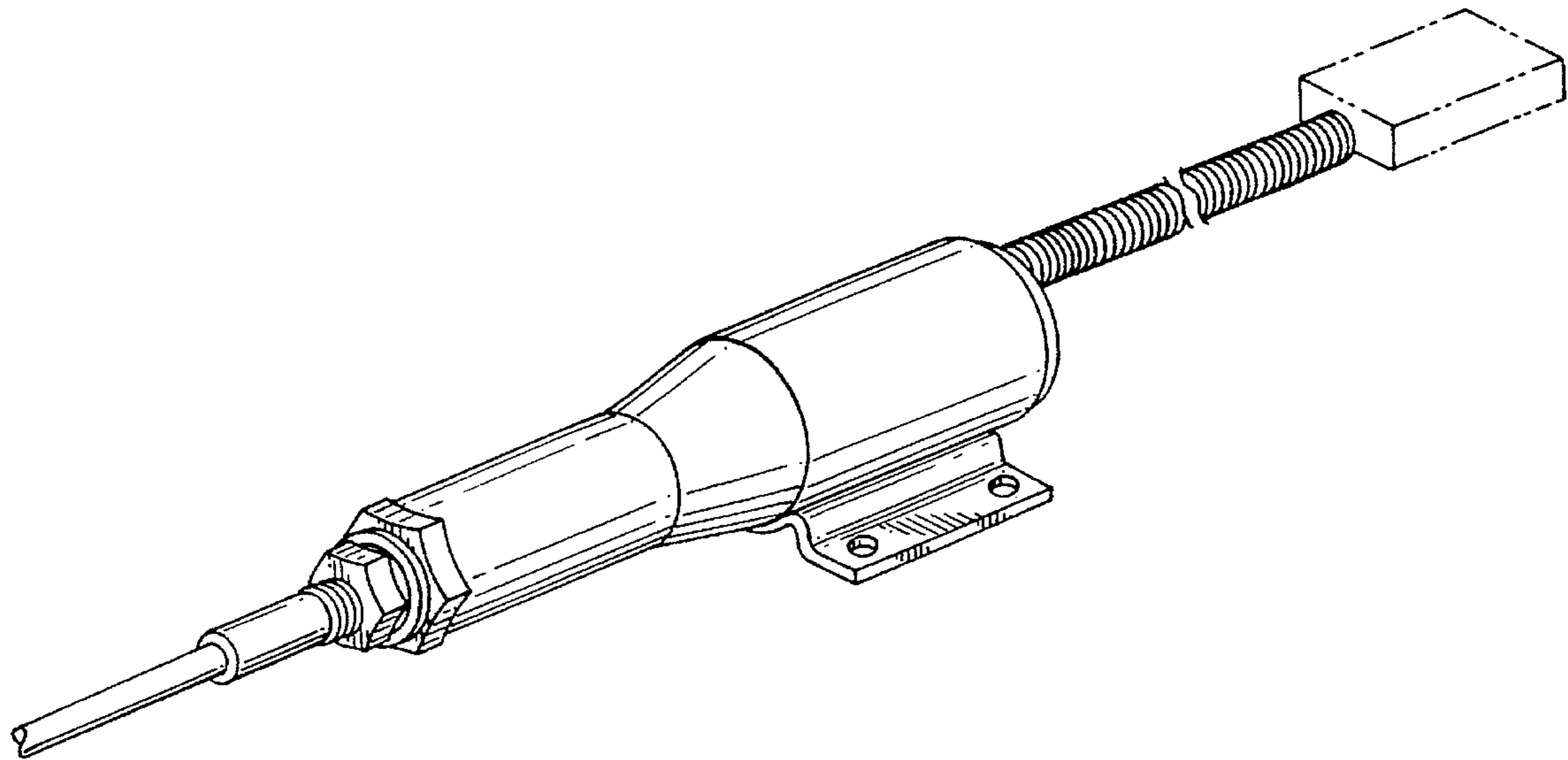
The ornamental design for a solenoid assembly, as shown and described.

DESCRIPTION

FIG. 1 is a perspective view of the solenoid assembly showing our design;
FIG. 2 is a side elevational view thereof;
FIG. 3 is top plan view thereof;
FIG. 4 is a bottom plan view thereof;
FIG. 5 is a front elevational view thereof;
FIG. 6 is a rear elevational view thereof; and,
FIG. 7 is an elevational view of the side opposite to that shown in FIG. 2.

The connector housing in broken lines is shown for illustrative purposes only and forms no part of the claimed design.

1 Claim, 2 Drawing Sheets



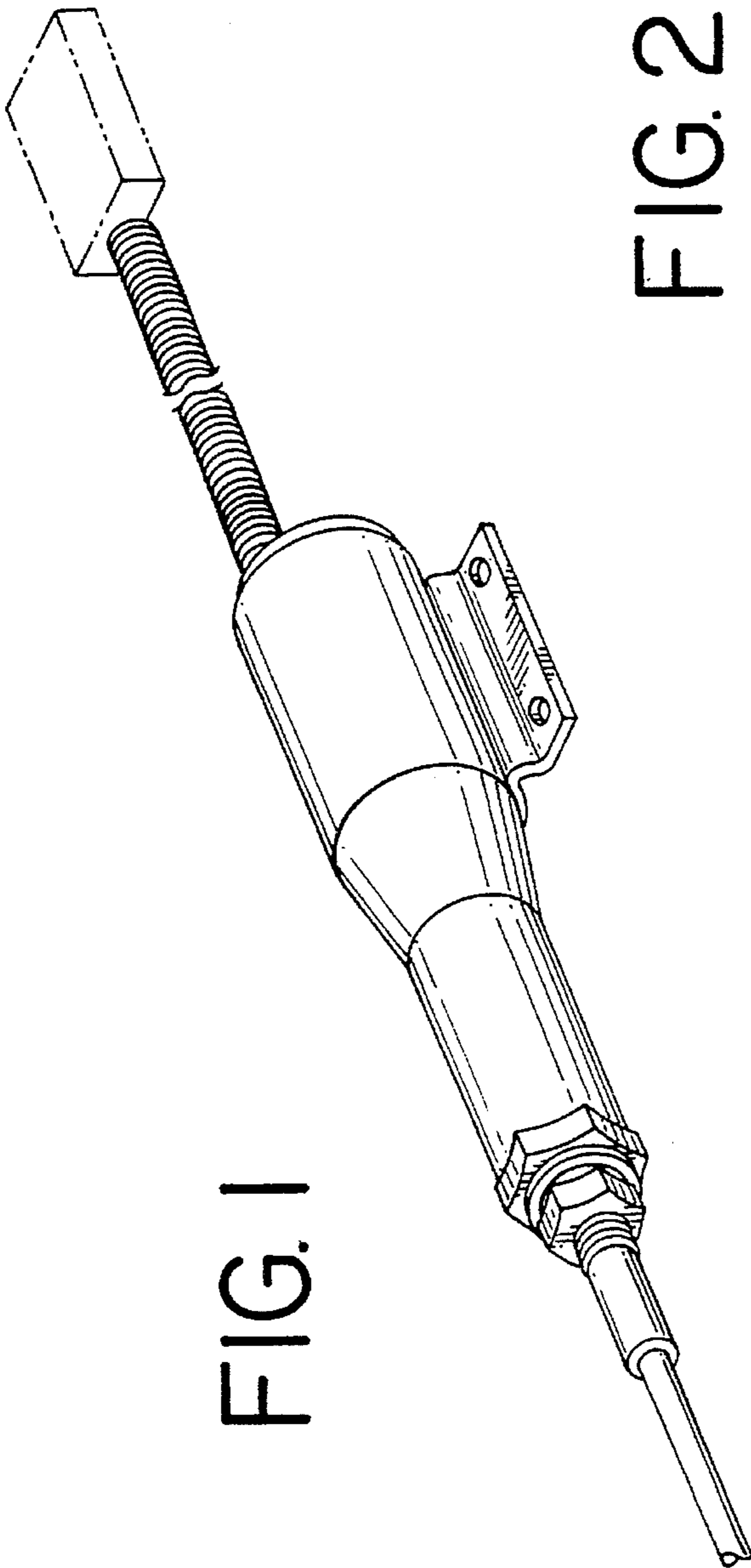


FIG. 1

FIG. 2

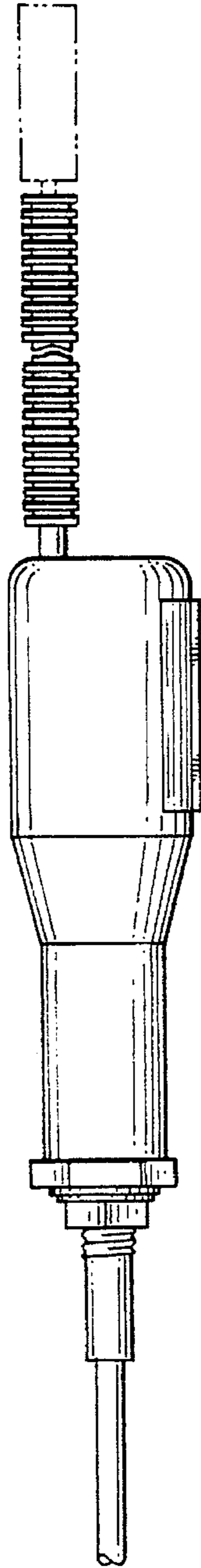


FIG. 3

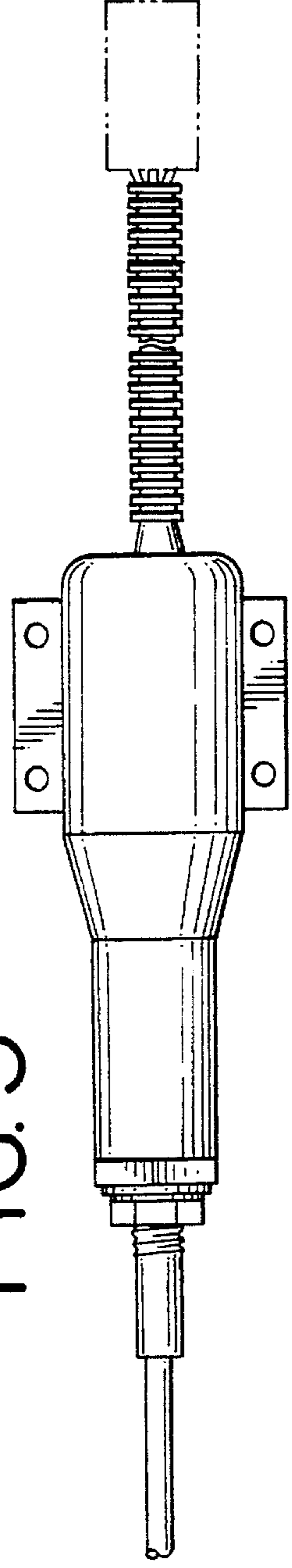


FIG. 4

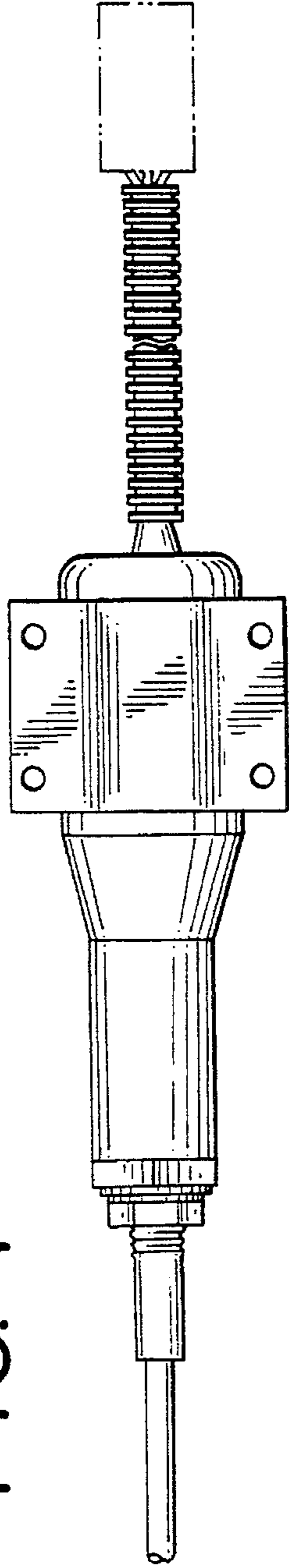


FIG. 5

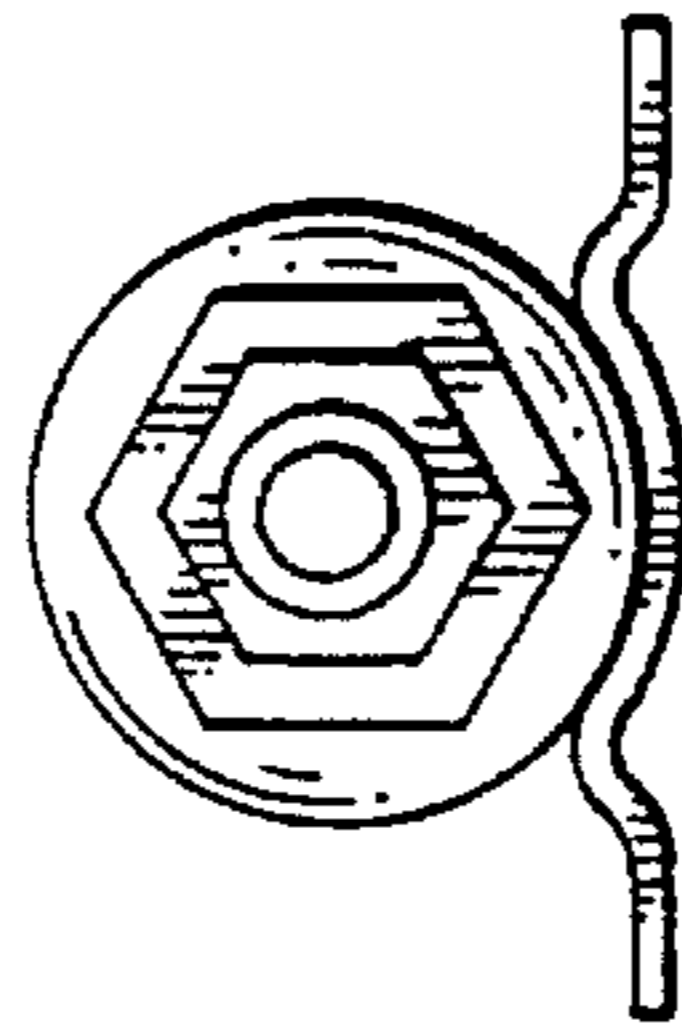


FIG. 6

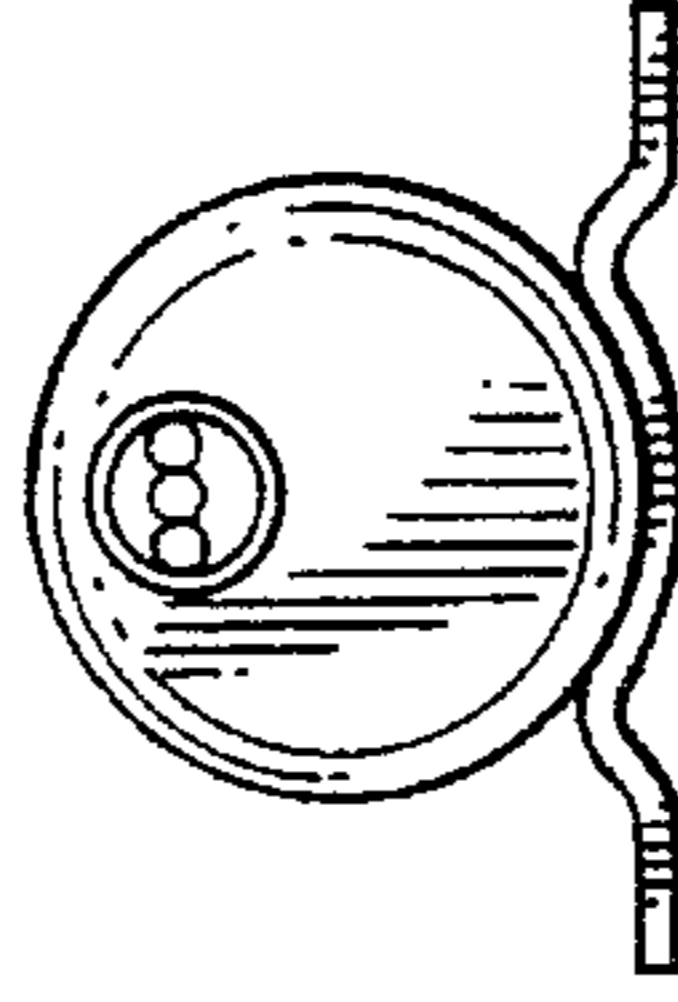


FIG. 7

