



US00D378509S

United States Patent [19]

[11] Patent Number: **Des. 378,509**

Voroba et al.

[45] Date of Patent: ****Mar. 18, 1997**

[54] **QUICK RELEASE OUTBOARD BATTERY FOR A COMPACT WIRELESS TELEPHONE**

4,969,180 11/1990 Watterson et al. .

5,008,864 4/1991 Yoshitake .

5,054,051 10/1991 Hoff .

5,113,428 5/1992 Fitzgerald .

5,239,521 8/1993 Blonder .

5,251,189 10/1993 Thorp 368/10 X

[75] Inventors: **Barry Voroba**, Minnetonka; **Daniel E. Kobylarz**, Bloomington; **Carrie L. Zochert**, Minnetonka, all of Minn.

OTHER PUBLICATIONS

[73] Assignee: **MicroTalk Technologies, Inc.**, Minnetonka, Minn.

Battery pack for Sonab hand transceivers Pu 38 and PU 45. Jun. 1975.

[**] Term: **14 Years**

Primary Examiner—Joel Sincavage

[21] Appl. No.: **24,754**

Attorney, Agent, or Firm—Mueting, Raasch, Gebhardt & Schwappach, P.A.

[22] Filed: **Jun. 20, 1994**

[52] U.S. Cl. **D13/103**

[58] Field of Search D13/119; D14/137, D14/138; D8/323; 455/89, 90, 348; 379/428, 454; 429/96, 98, 100; 368/10, 13

[57] CLAIM

The ornamental design for quick release outboard battery for a compact wireless telephone, as shown and described.

[56] References Cited

DESCRIPTION

U.S. PATENT DOCUMENTS

- D. 310,523 9/1990 Hino et al. .
- 3,032,651 5/1962 Gisiger-Stahli et al. .
- 4,342,105 7/1982 Dorfman .
- 4,435,088 3/1984 Dorfman .
- 4,471,493 9/1984 Schober .
- 4,586,827 5/1986 Hirsch et al. .
- 4,620,111 10/1986 McArthur et al. 429/97 X
- 4,754,285 6/1988 Robitaille .
- 4,800,543 1/1989 Lyndon-James et al. .
- 4,803,473 2/1989 Taylor 455/90 X
- 4,847,818 7/1989 Olsen .
- 4,930,148 5/1990 Lee .

FIG. 1 is a view in perspective of a quick release outboard battery for a compact wireless telephone showing a portion of a wireless phone and a quick release battery clasp in phantom. The broken line showing is included for the purpose of illustrating environmental structure only and forms no part of the claimed design;

FIG. 2 is a top plan view;

FIG. 3 is a front elevation view;

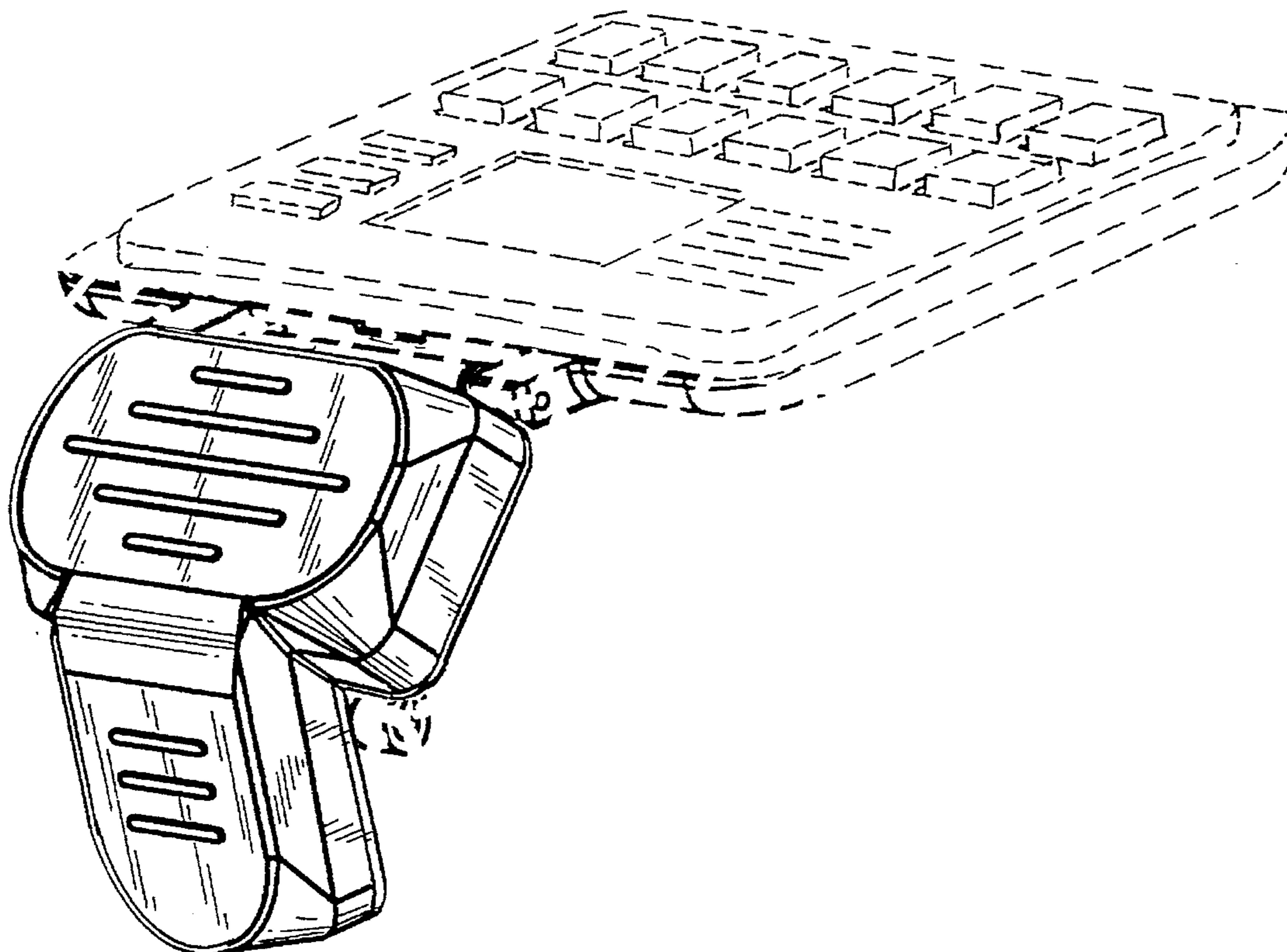
FIG. 4 is a side elevation view showing the left side;

FIG. 5 is a side elevation view showing the right side;

FIG. 6 is a rear elevation view; and,

FIG. 7 is a bottom plan view.

1 Claim, 6 Drawing Sheets



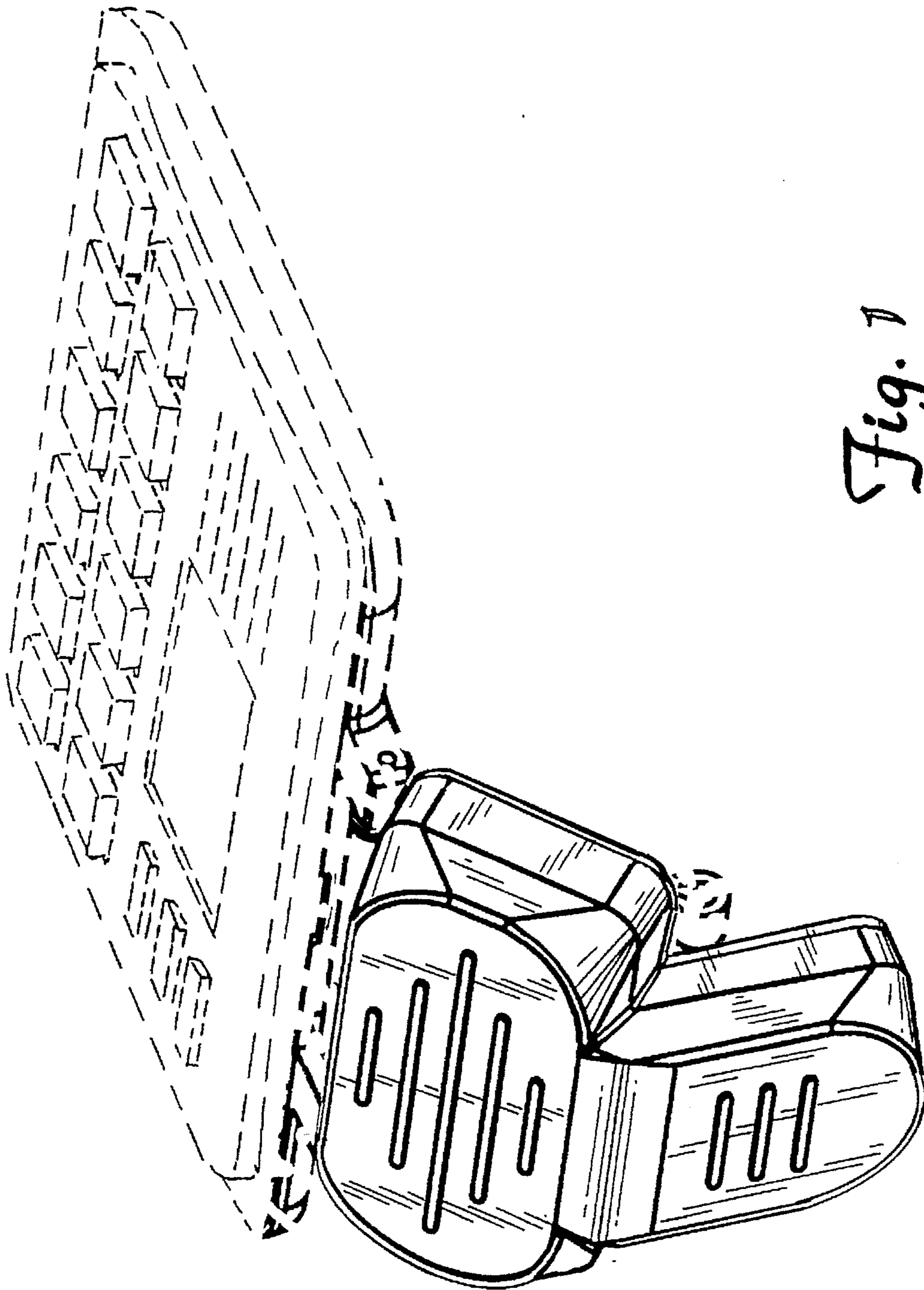


Fig. 1

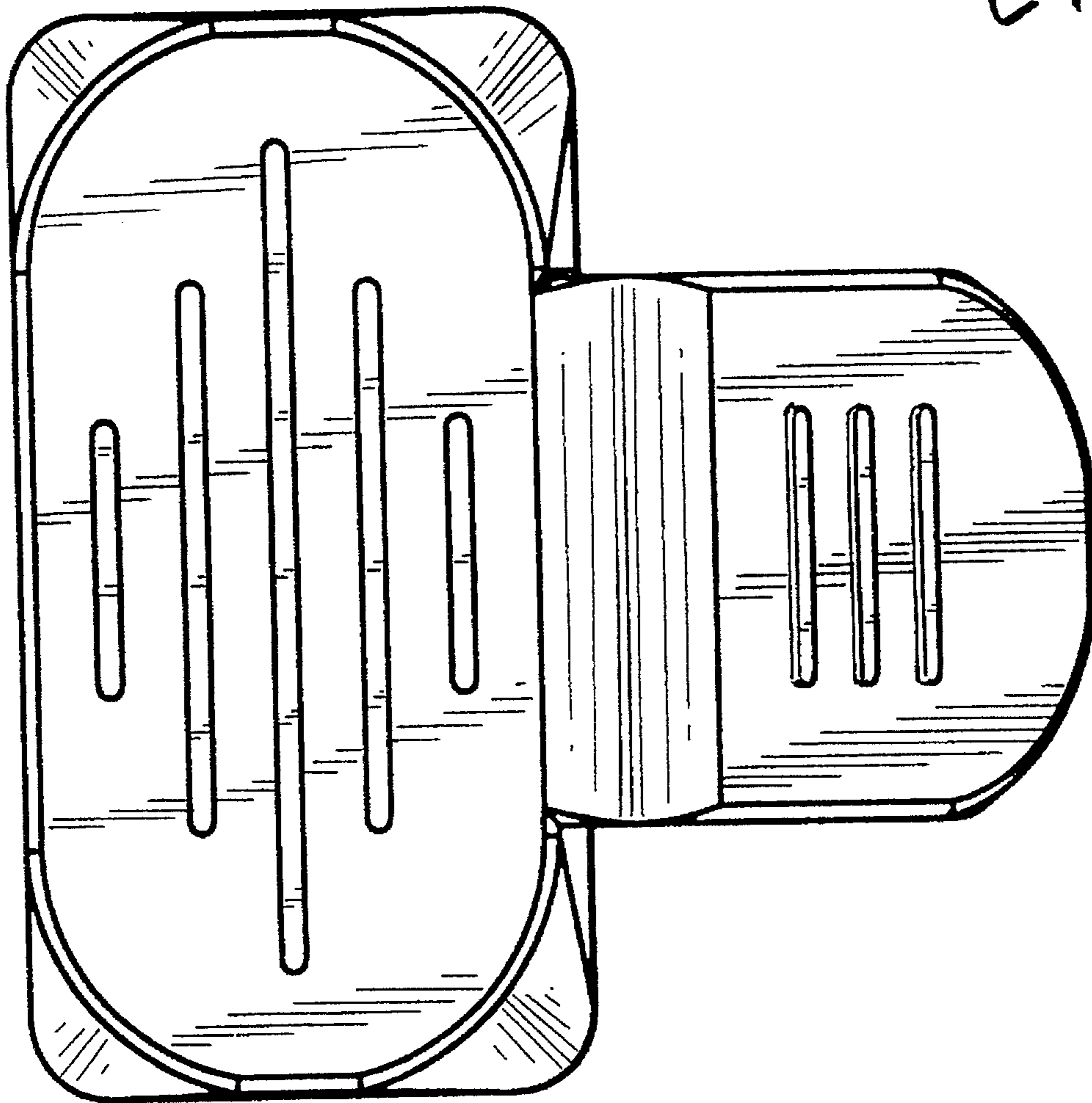


Fig. 2

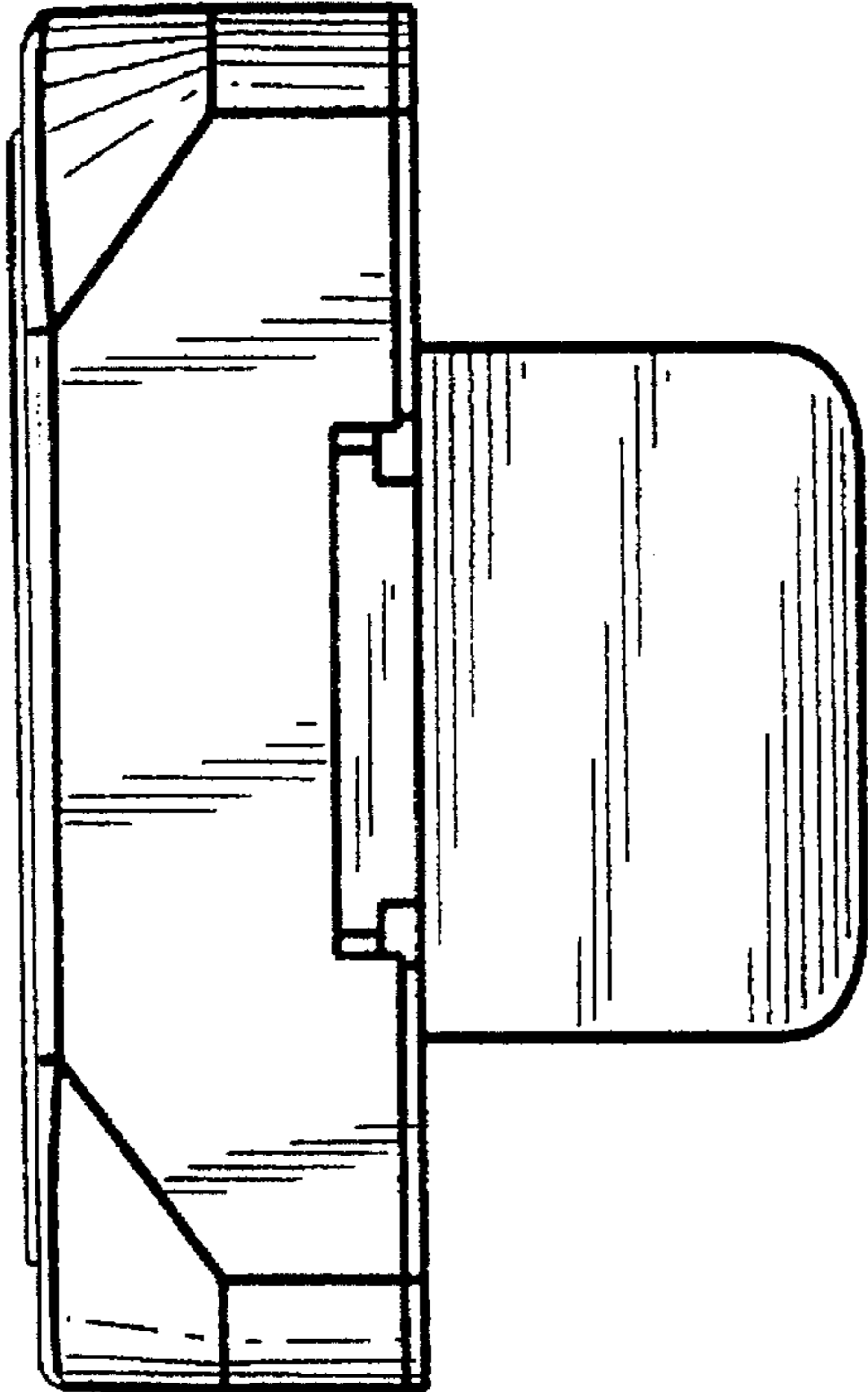


Fig. 3

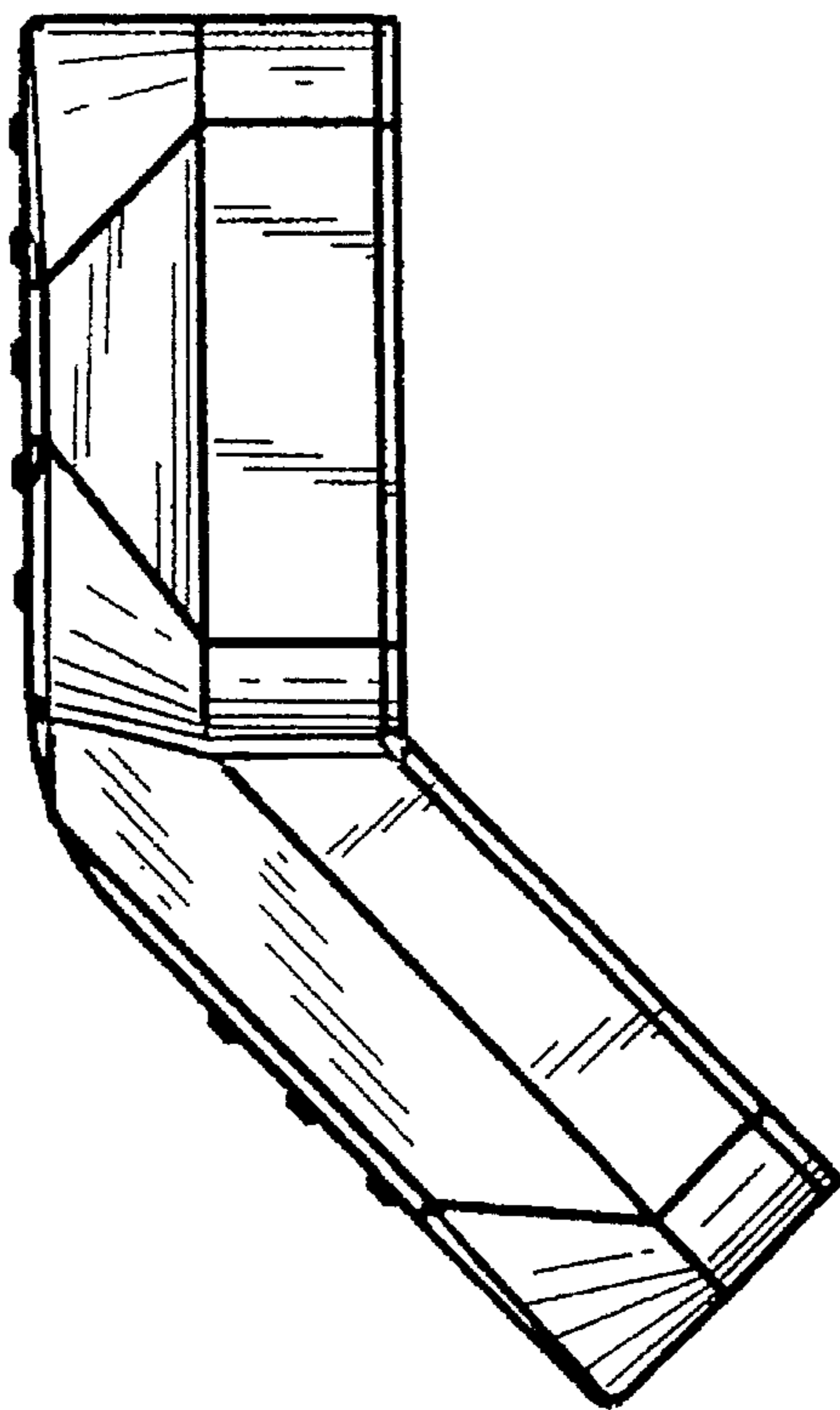


Fig. 4

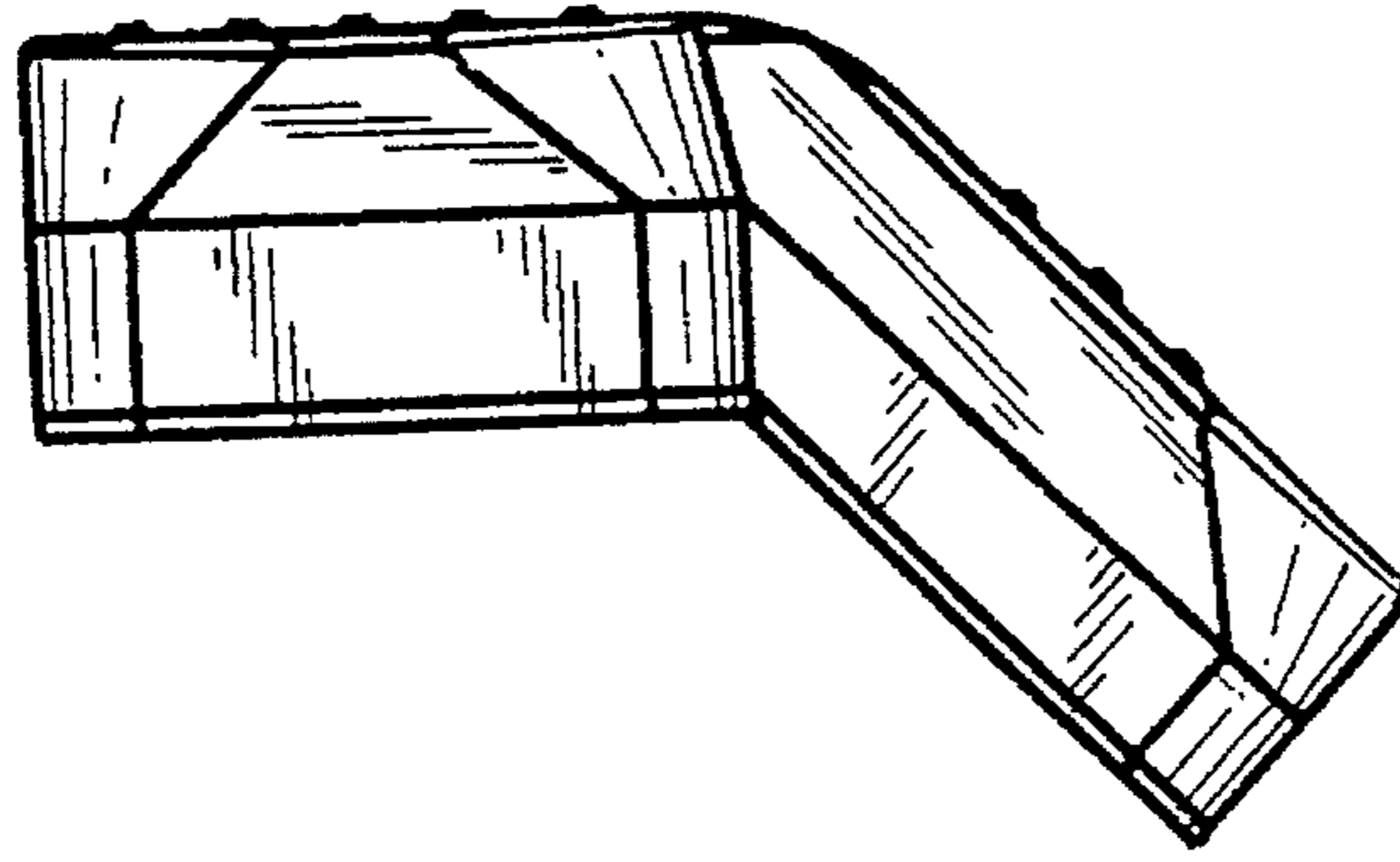
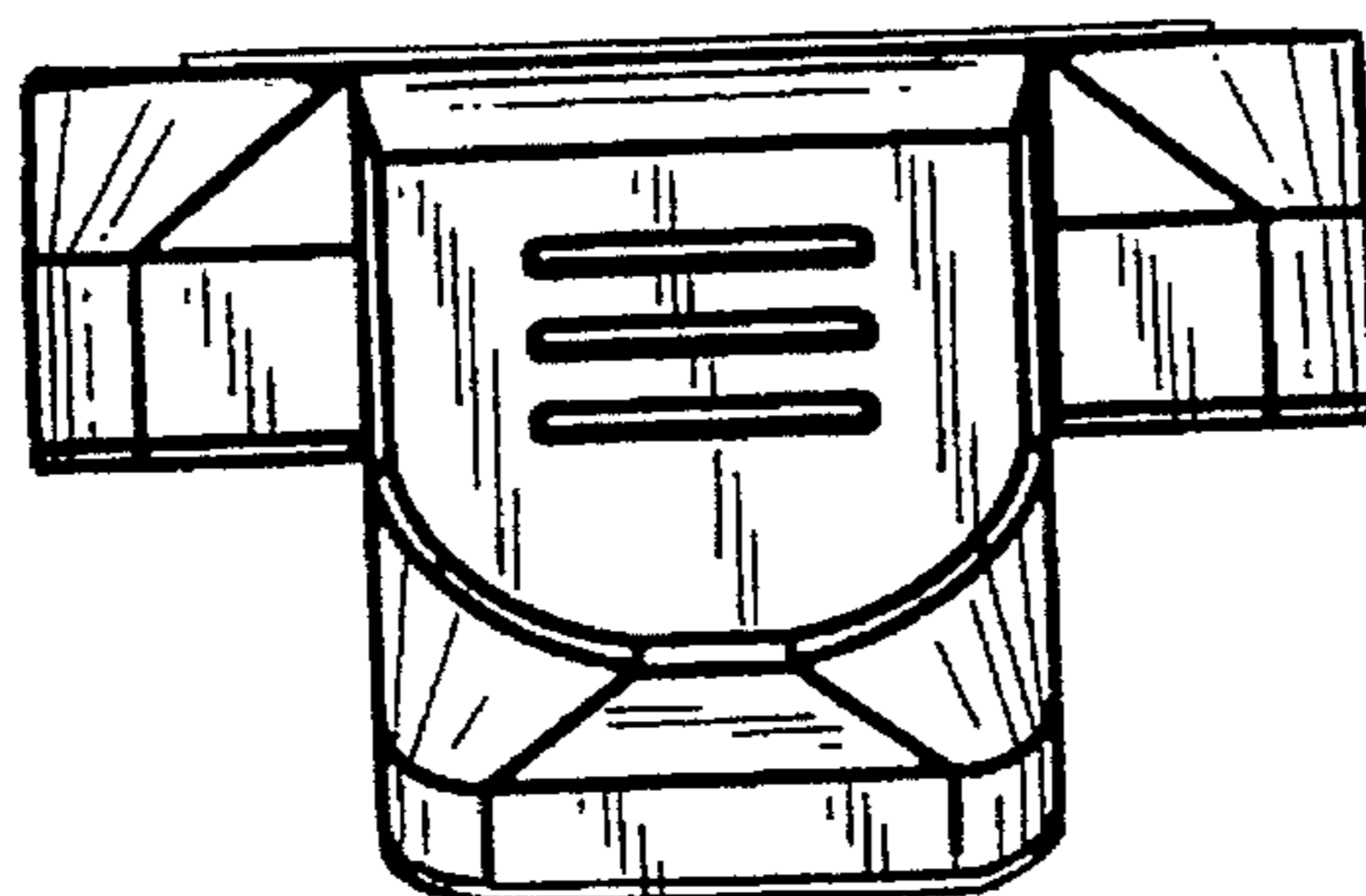


Fig. 5

Fig. 6



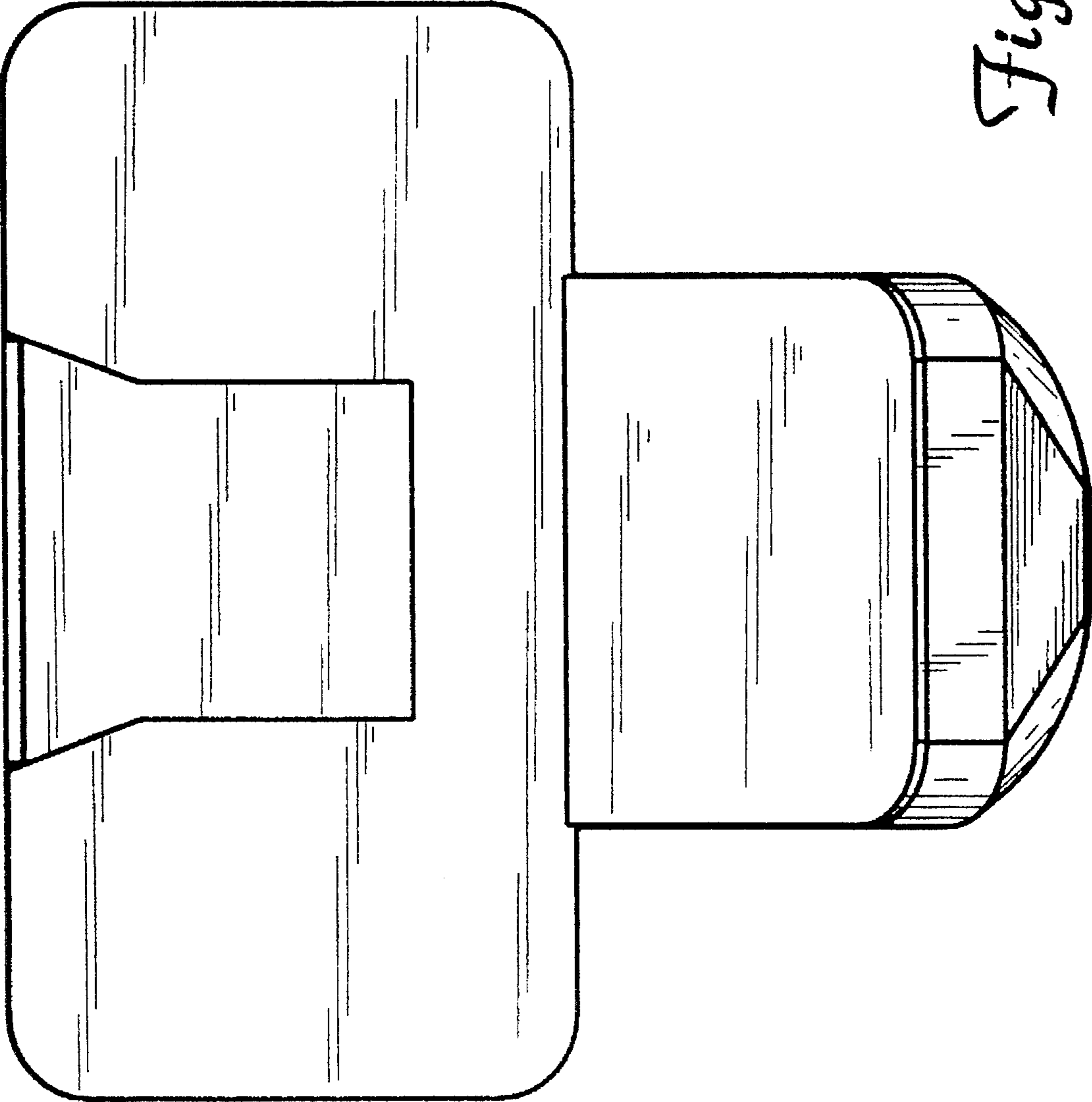


Fig. 7