



US00D378499S

United States Patent [19]
Chan

[11] **Patent Number: Des. 378,499**

[45] **Date of Patent: **Mar. 18, 1997**

[54] **TIMER**

[75] Inventor: **Raymond Chan**, Kowloon, Hong Kong

[73] Assignee: **IDT International Limited**, Hamilton, Bermuda

[**] Term: **14 Years**

[21] Appl. No.: **54,189**

[22] Filed: **May 8, 1996**

[30] **Foreign Application Priority Data**

Nov. 17, 1995 [GB] United Kingdom 2052049

[52] **U.S. Cl.** **D10/40; D10/15 X**

[58] **Field of Search** D10/1-40, 122-132;
368/97-100, 107-121, 276-277, 285, 316,
317

[56] **References Cited**

U.S. PATENT DOCUMENTS

D. 274,314 6/1984 Goodin D10/40
D. 275,082 8/1984 Goodin D10/40

D. 298,416 11/1988 Rakocy D10/40
D. 335,460 5/1993 Tanaka D10/40
D. 363,228 10/1995 Healey D10/24 X
D. 366,837 2/1996 Cooney D10/40
4,444,511 4/1984 Ogihara 368/70 X
5,140,564 8/1992 Rich 368/107
5,319,613 6/1994 Adams 368/10

Primary Examiner—Nelson C. Holtje
Attorney, Agent, or Firm—Leydig, Voit & Mayer

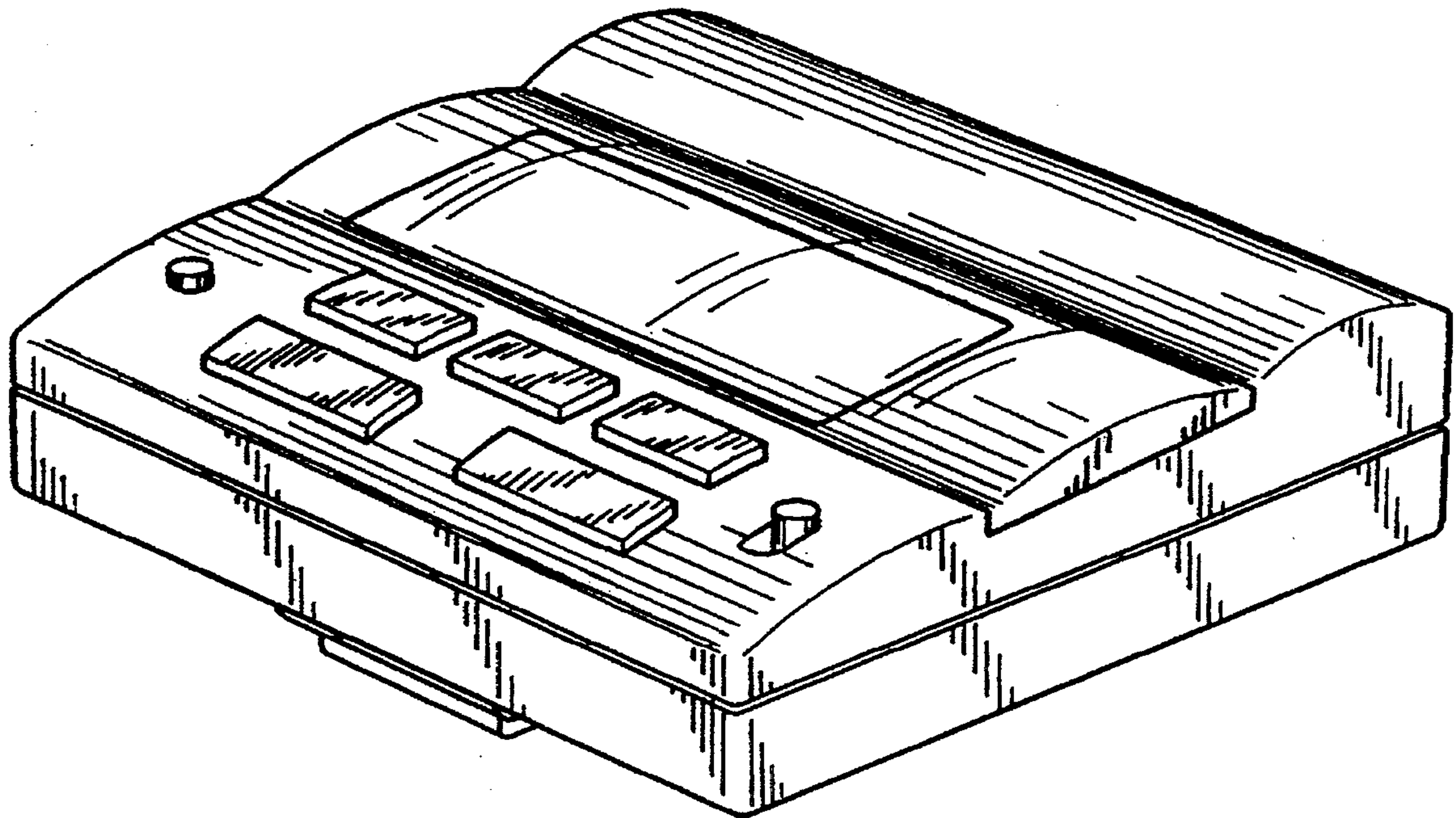
[57] **CLAIM**

The ornamental design for a timer, as shown and described.

DESCRIPTION

FIG. 1 is a front, bottom and right side perspective view of a timer showing my new design;
FIG. 2 is a front elevational view thereof;
FIG. 3 is a rear elevational view thereof;
FIG. 4 is a top plan view thereof;
FIG. 5 is a bottom plan view thereof;
FIG. 6 is a right side elevational view thereof; and,
FIG. 7 is a left side elevational view thereof.

1 Claim, 4 Drawing Sheets



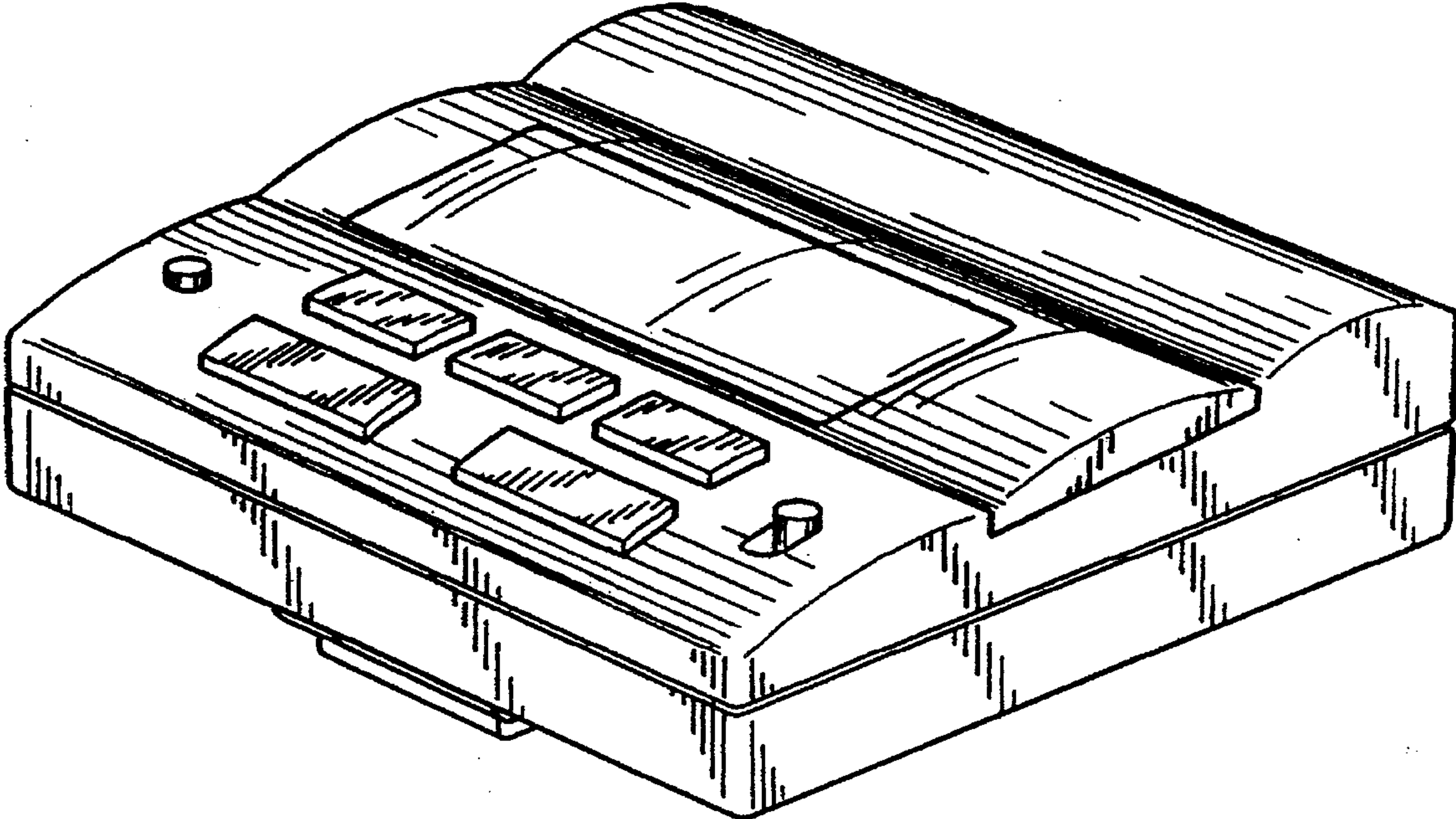


FIG. 1

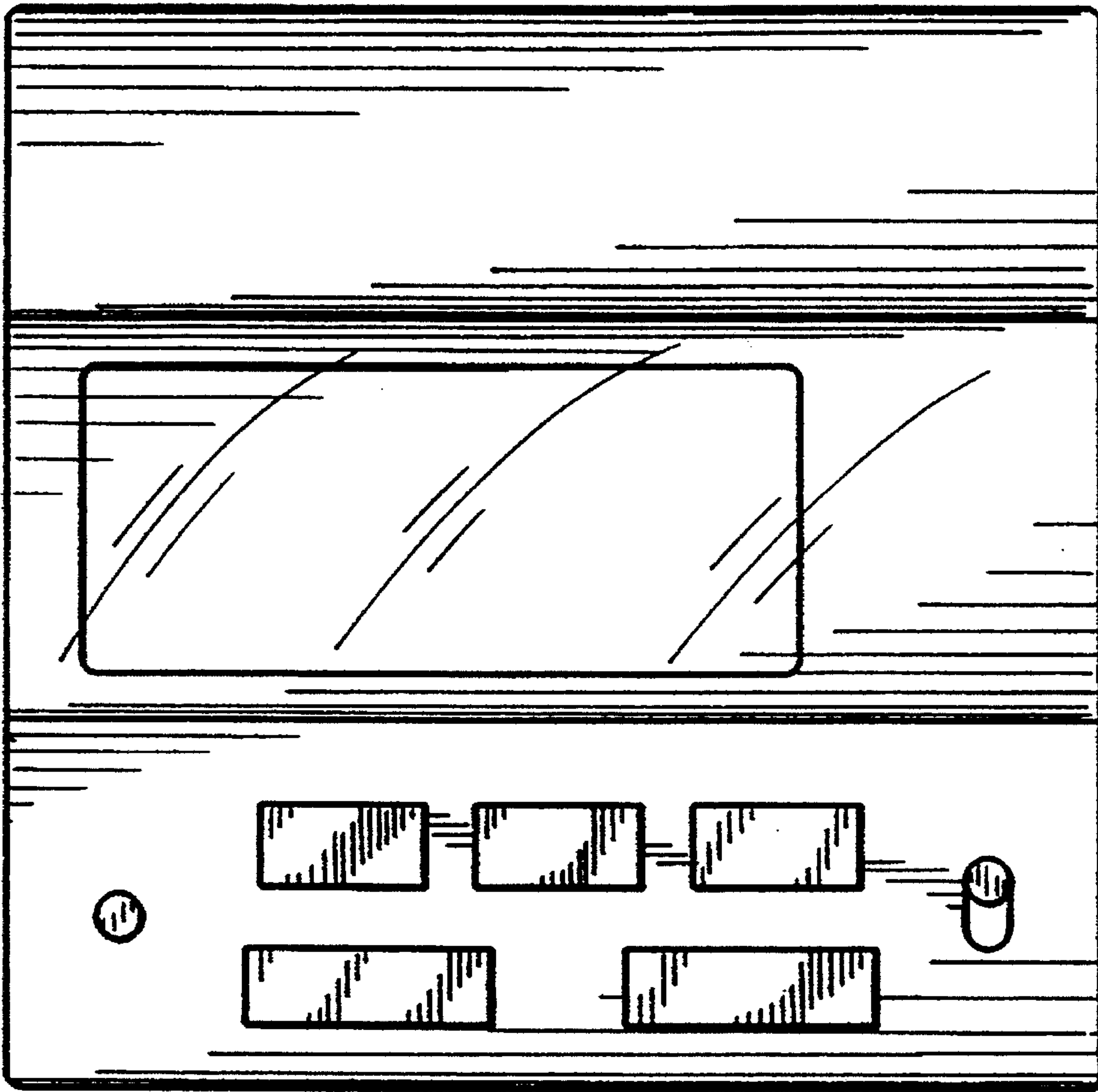


FIG. 2

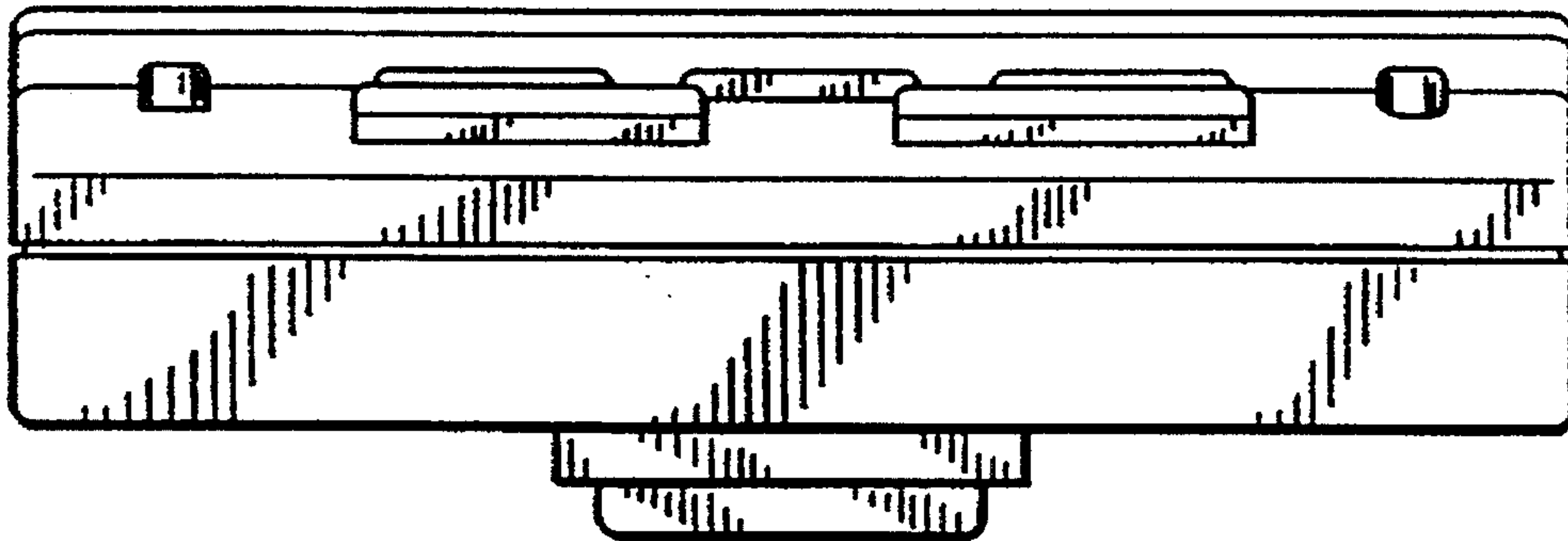


FIG. 5

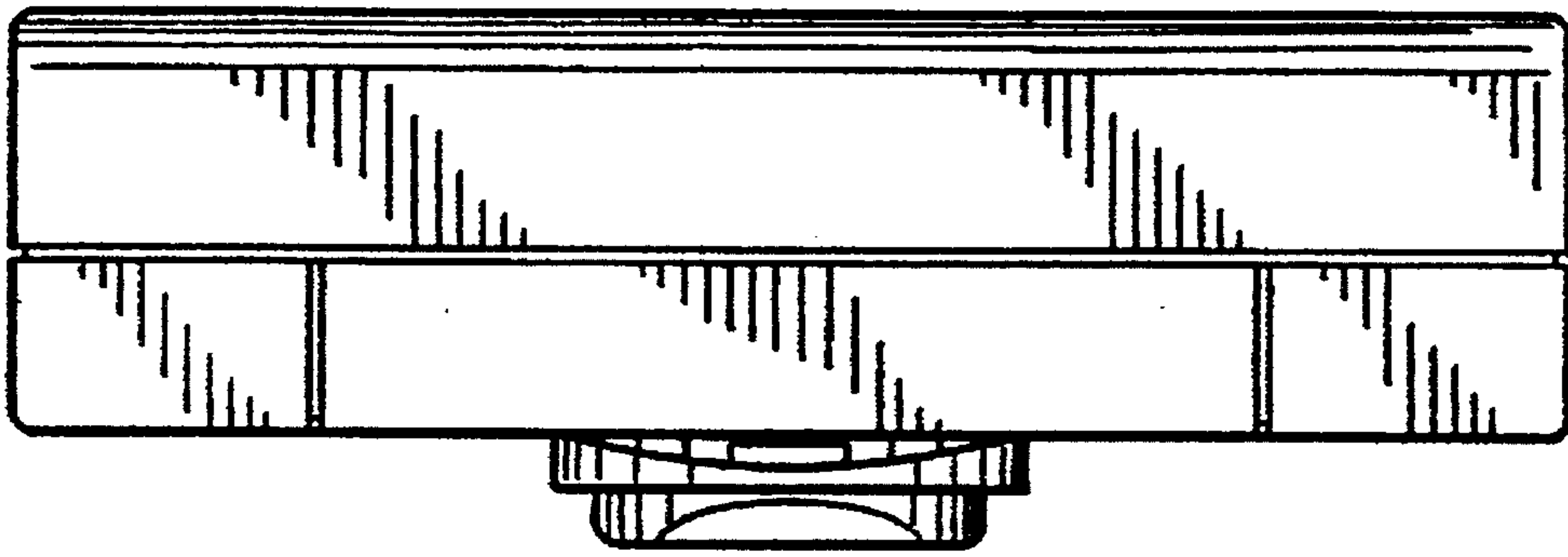


FIG. 4

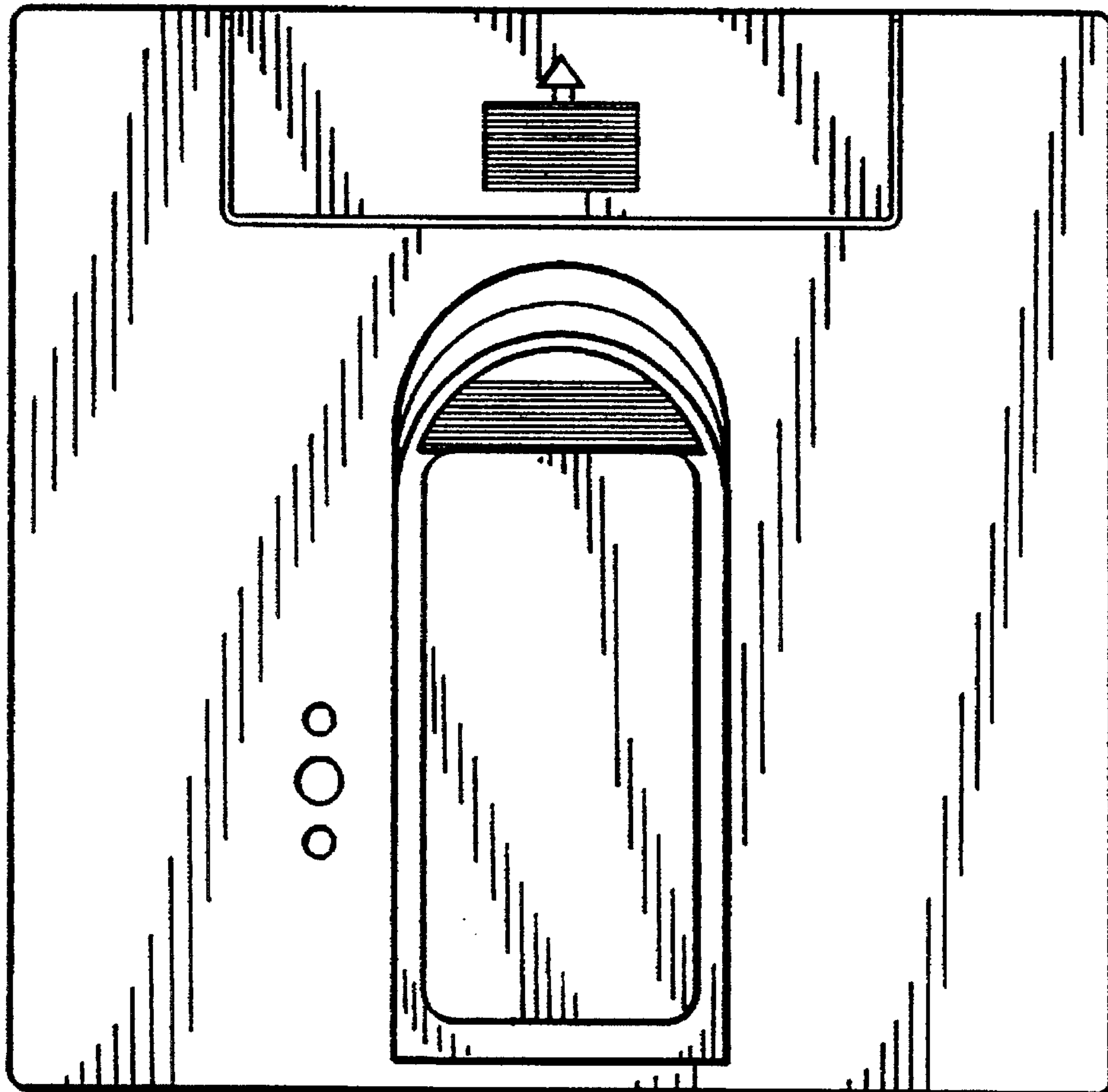


FIG. 3

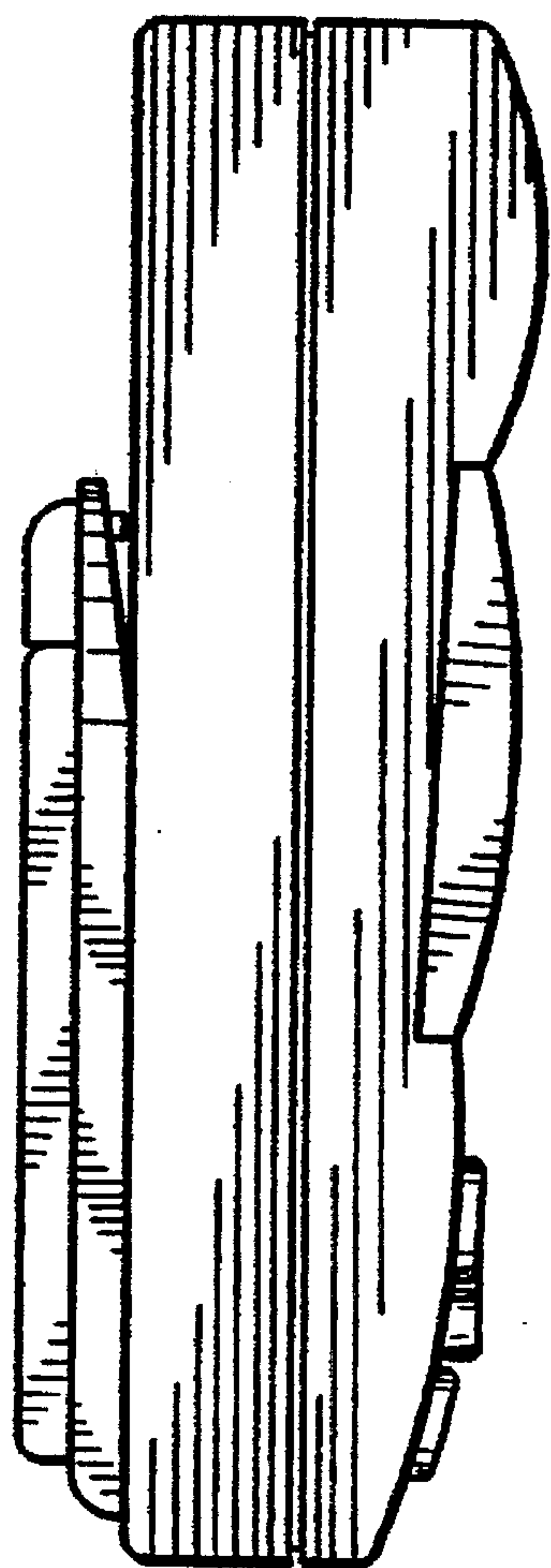


FIG. 7

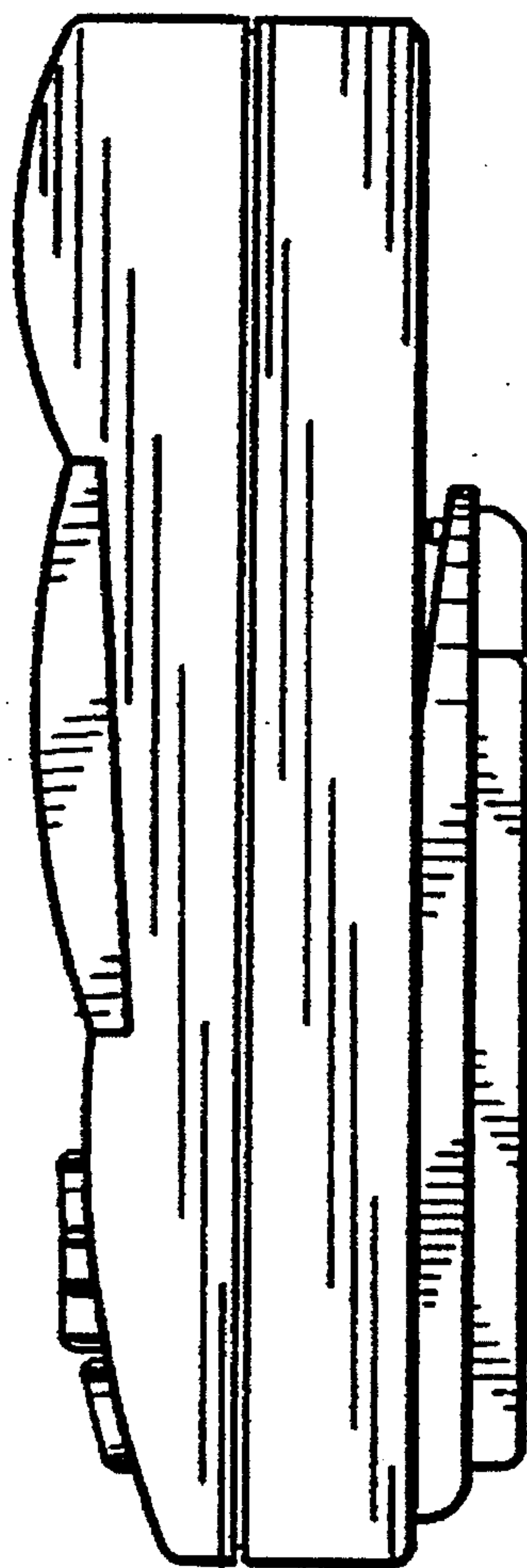


FIG. 6