



US00D378495S

United States Patent [19]

Gillespie

[11] Patent Number: **Des. 378,495**

[45] Date of Patent: ****Mar. 18, 1997**

[54] **CLOCK**

[75] Inventor: **Lionel D. Gillespie**, Atlanta, Ga.

[73] Assignee: **GTC Properties, Inc.**, Wilmington, Del.

[**] Term: **14 Years**

[21] Appl. No.: **50,136**

[22] Filed: **Feb. 8, 1996**

[52] U.S. Cl. **D10/1; D10/2; D10/15**

[58] Field of Search **D10/1-40, 122-132; D26/38; 368/63, 276-277; D14/170-171, 175**

[56] **References Cited**

U.S. PATENT DOCUMENTS

- D. 304,018 10/1989 Nomizu D10/26
- D. 304,453 11/1989 Matsushima D10/15 X
- D. 310,032 8/1990 Murata D10/21 X

- D. 314,141 10/1990 Murata D10/21 X
- D. 321,484 11/1991 Yu D10/21
- D. 347,634 6/1994 Lobo D26/38 X
- D. 358,775 5/1995 Dotson D10/15
- D. 362,437 9/1995 Boyd D14/171

Primary Examiner—Nelson C. Holtje
Attorney, Agent, or Firm—Jones, Day, Reavis & Pogue

[57] **CLAIM**

The ornamental design for a clock, as shown and described.

DESCRIPTION

FIG. 1 is a perspective view of a clock of the present invention;

FIG. 2 is a left side elevational view of the clock of FIG. 1; FIG. 3 is a right side elevational view of the clock of FIG. 1;

FIG. 4 is a top plan view of the clock of FIG. 1; and, FIG. 5 is a front elevational view of the clock of FIG. 1.

1 Claim, 3 Drawing Sheets

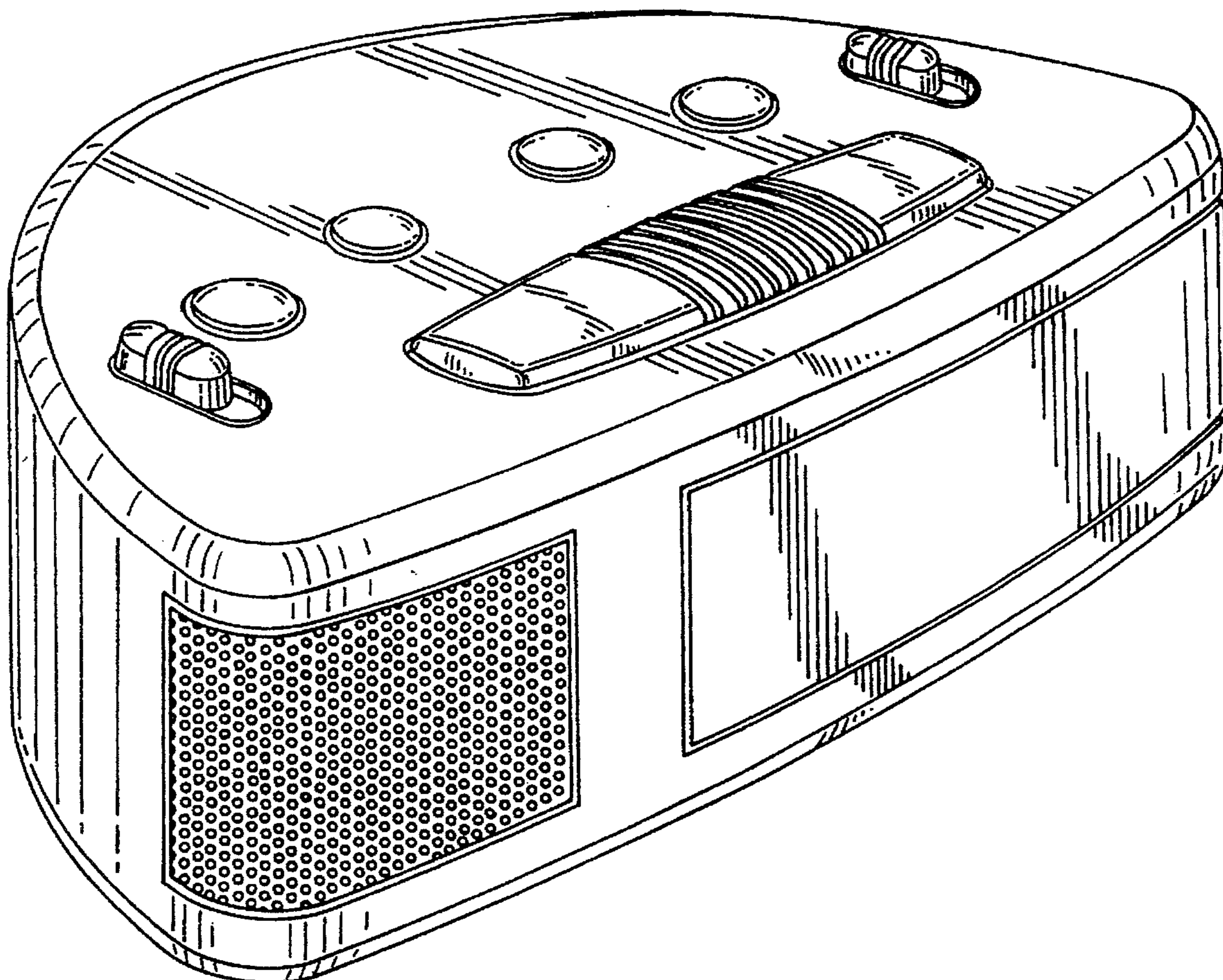


FIG. 1

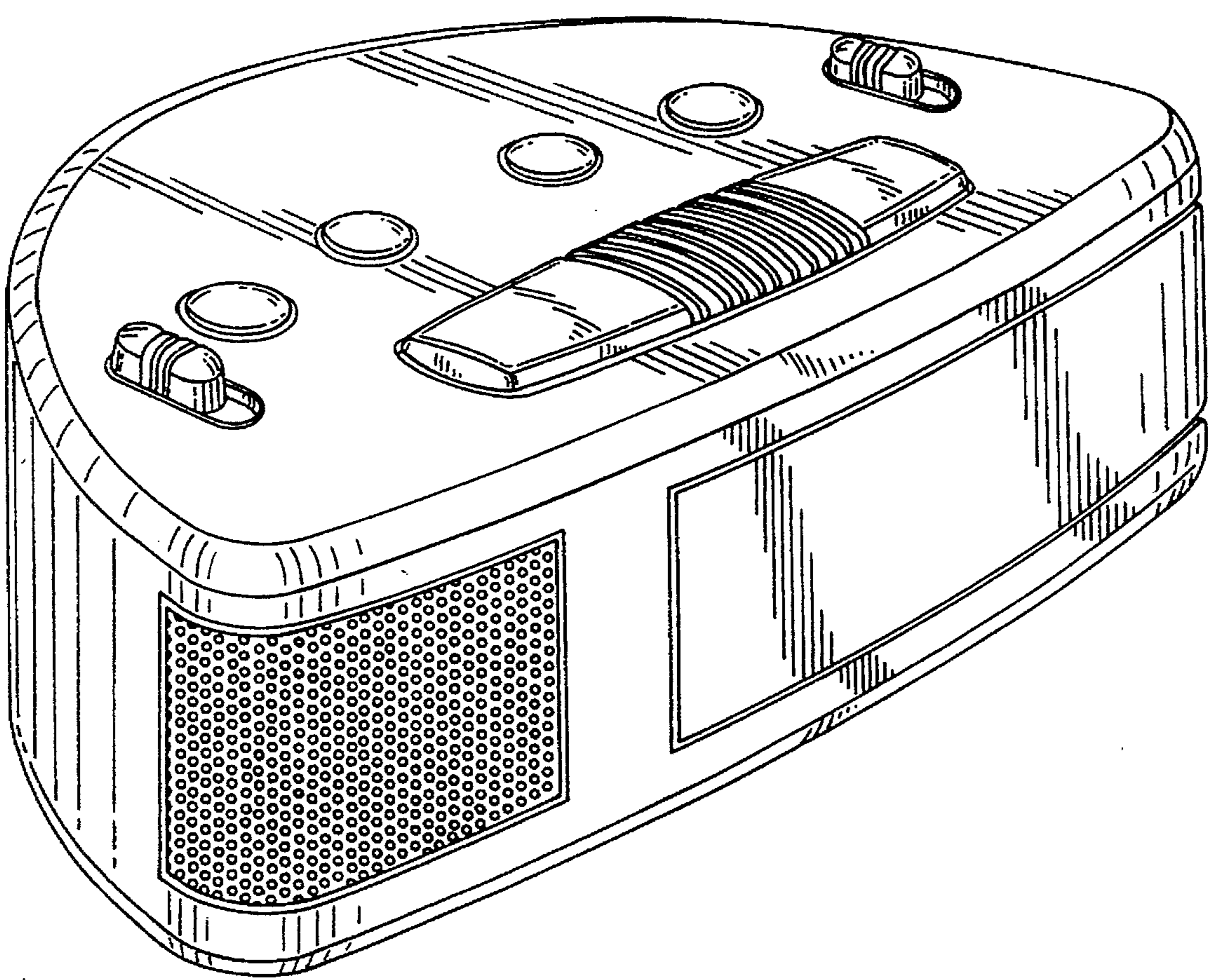


FIG. 2

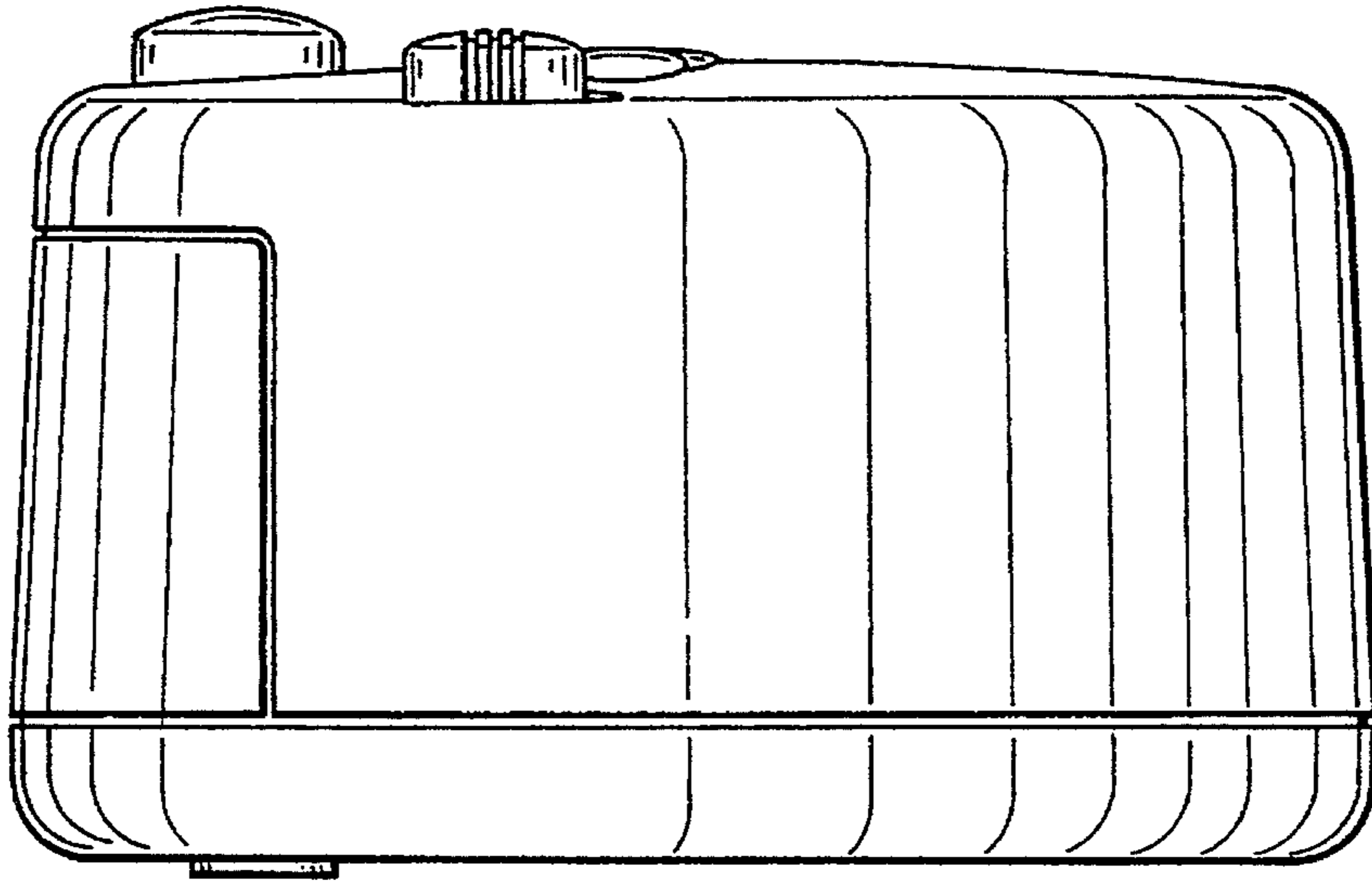


FIG. 3

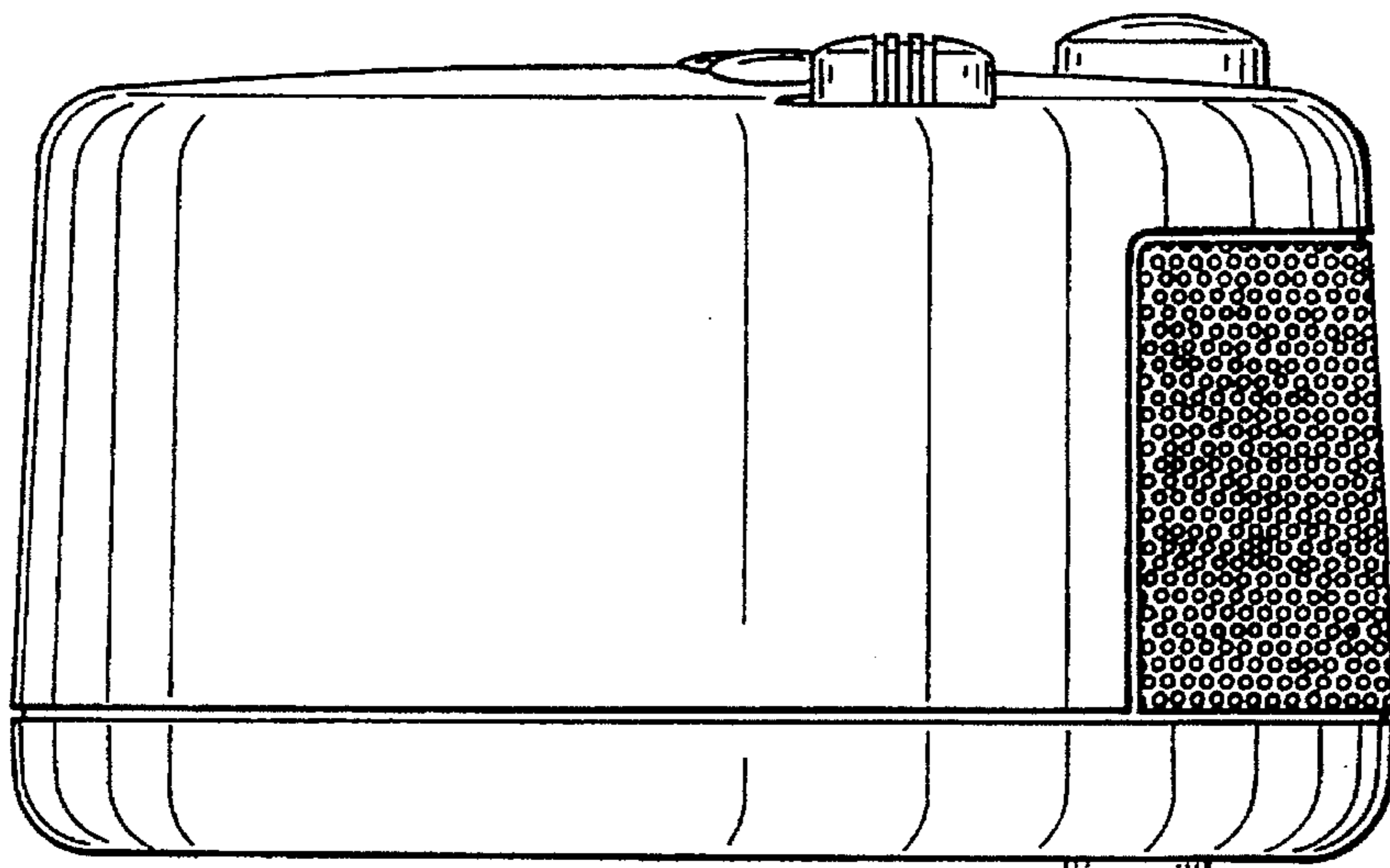


FIG. 4

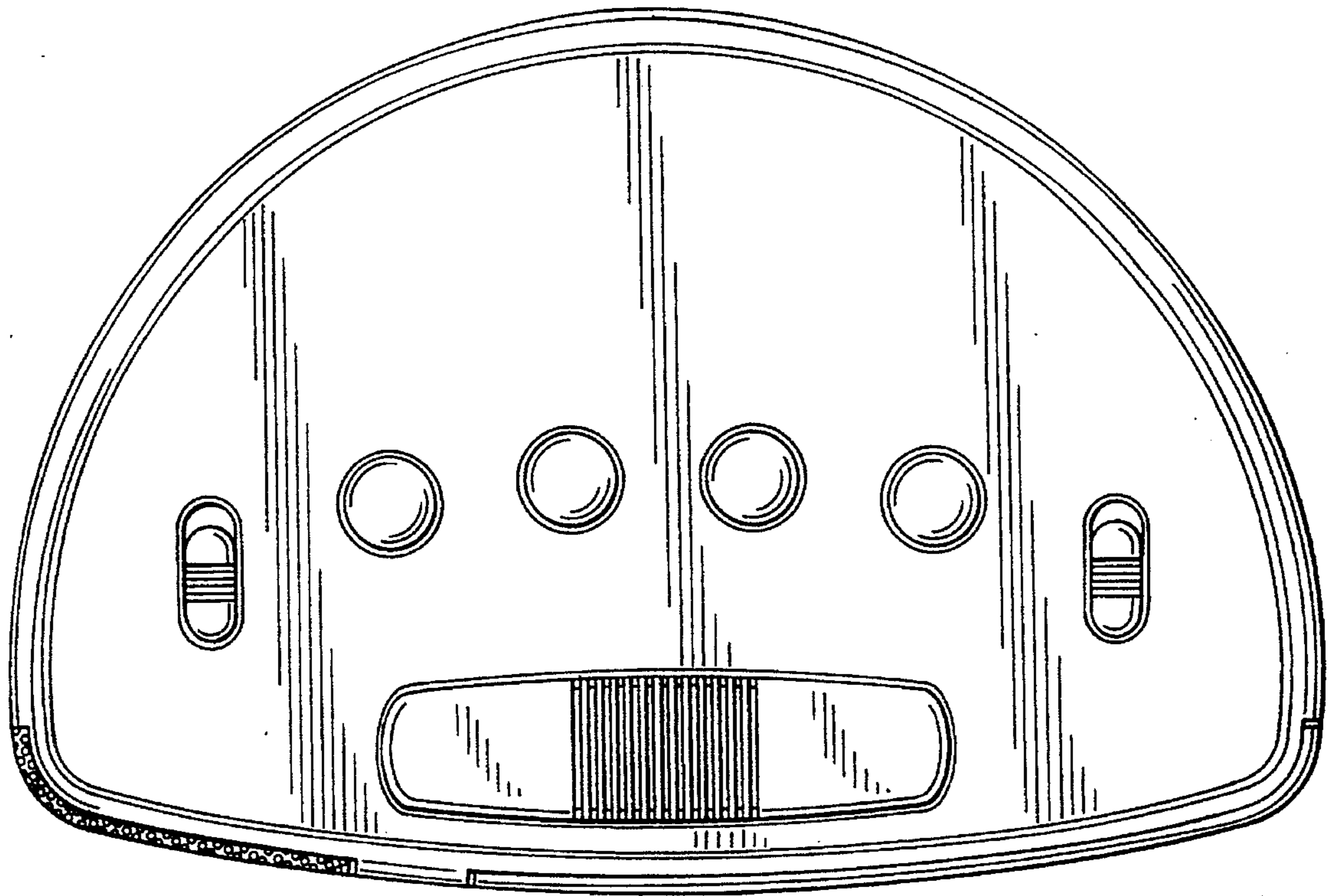


FIG. 5

