



US00D378490S

United States Patent [19]

Campbell et al.

[11] Patent Number: **Des. 378,490**

[45] Date of Patent: ****Mar. 18, 1997**

[54] **PULL BAR DOOR HANDLE WITH HOOK**

[75] Inventors: **Sheila R. Campbell**, 22843 Sunnyside, St. Clair Shores, Mich. 48080; **Frank J. Campbell**, St. Clair Shores, Mich.

[73] Assignee: **Sheila R. Campbell**, St. Clair Shores, Ill.

[**] Term: **14 Years**

[21] Appl. No.: **38,467**

[22] Filed: **May 4, 1995**

[52] U.S. Cl. **D8/319**

[58] Field of Search D8/315, 316, 317, D8/318, 319, 320, 301, 80, 81, 105, 107; 16/114 R, 124, 125, DIG. 5, 110 R; 211/105.2; D7/393

[56] **References Cited**

U.S. PATENT DOCUMENTS

2,562,765 7/1951 Branot 16/111 R

3,172,541	3/1965	Hiser	211/105.2
4,817,239	4/1989	Campbell et al. .	
4,848,181	7/1989	Shimbara	74/523
5,242,362	9/1993	Talamantez	16/110 R X
5,425,154	6/1995	Edwards, Jr.	16/114 RX

Primary Examiner—Paula A. Mortimer
Attorney, Agent, or Firm—Howard & Howard

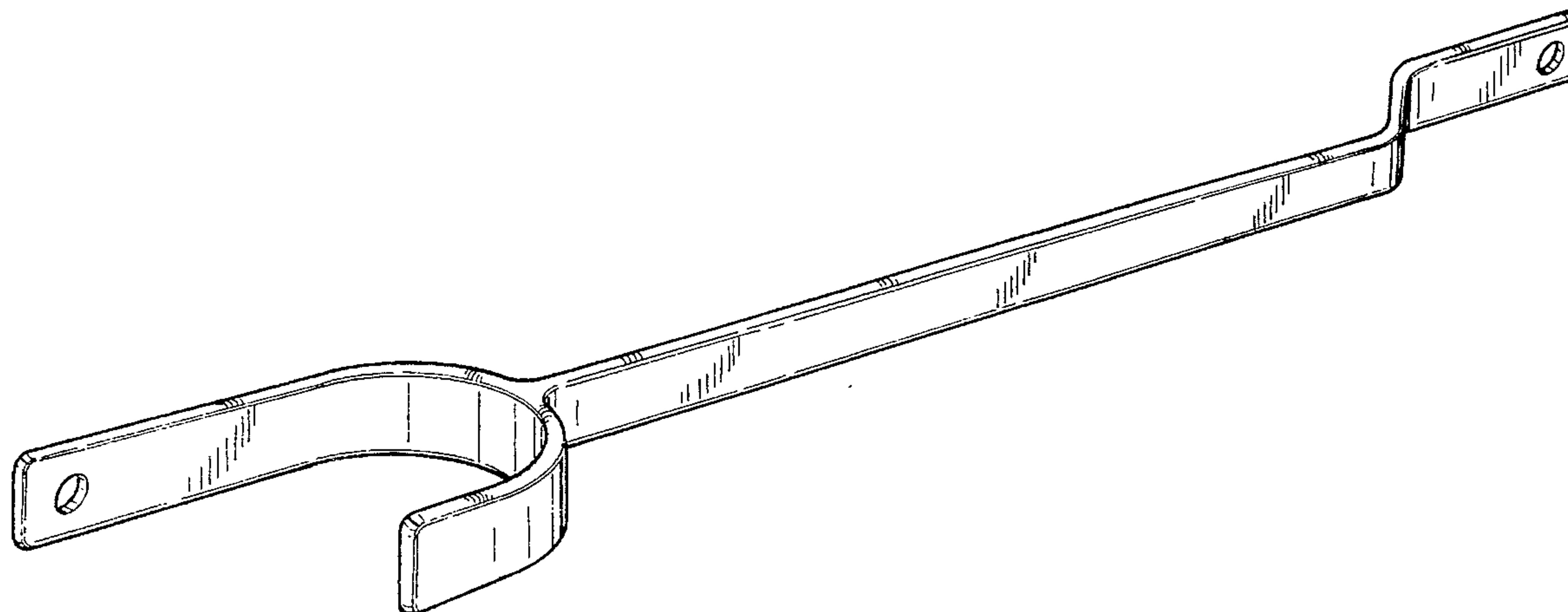
[57] **CLAIM**

The ornamental design for a pull bar door handle with hook, as shown and described.

DESCRIPTION

FIG. 1 is a front perspective view of a pull bar door handle with hook showing my new design;
FIG. 2 is a front elevational view thereof;
FIG. 3 is a top plan view thereof, the bottom plan view is a mirror image;
FIG. 4 is a rear elevational view thereof;
FIG. 5 is a right end elevational view thereof; and,
FIG. 6 is a left end elevational view thereof.

1 Claim, 2 Drawing Sheets



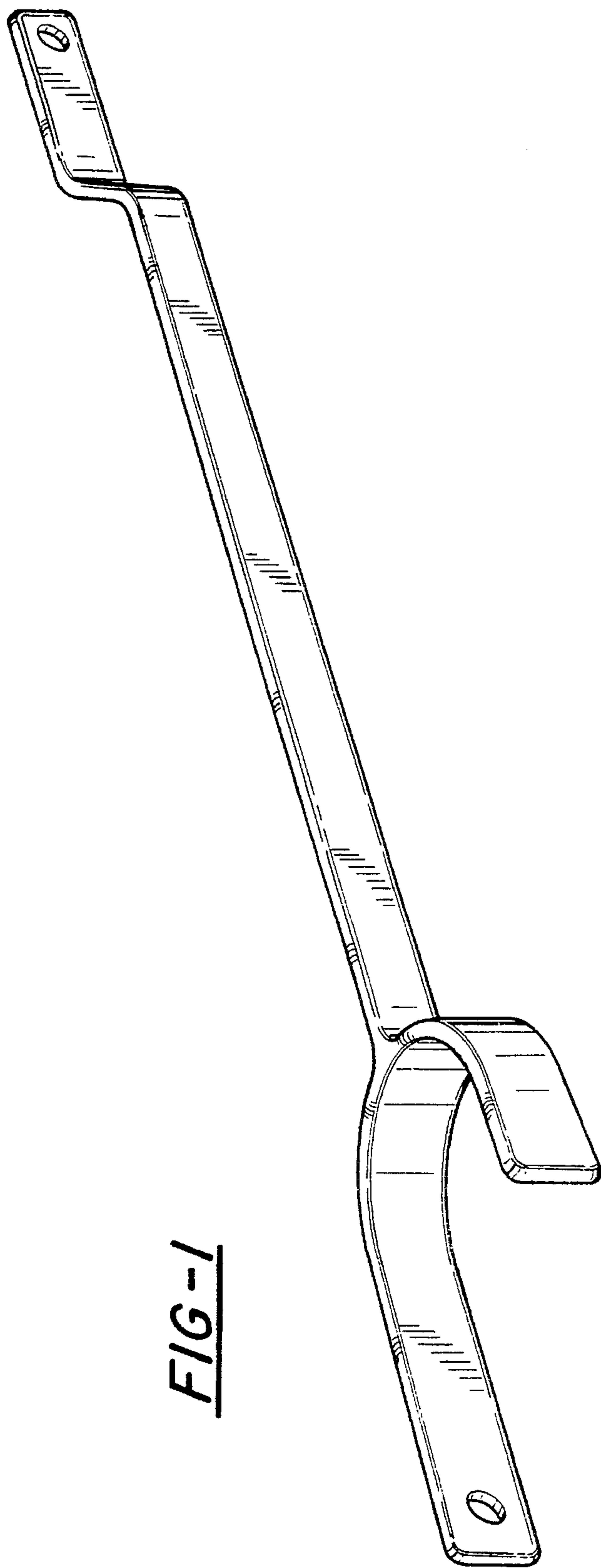


FIG-1

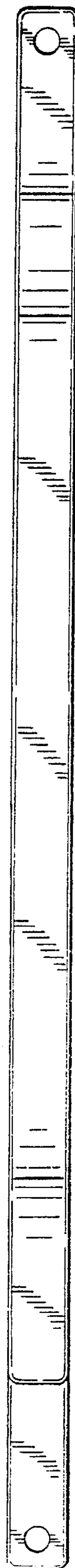


FIG-2

FIG-3

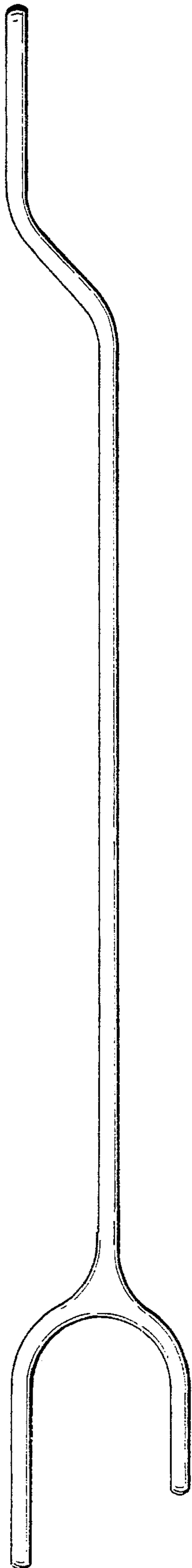


FIG-4

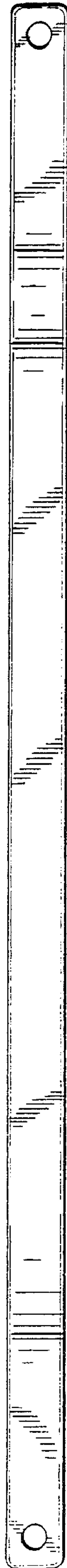


FIG-5

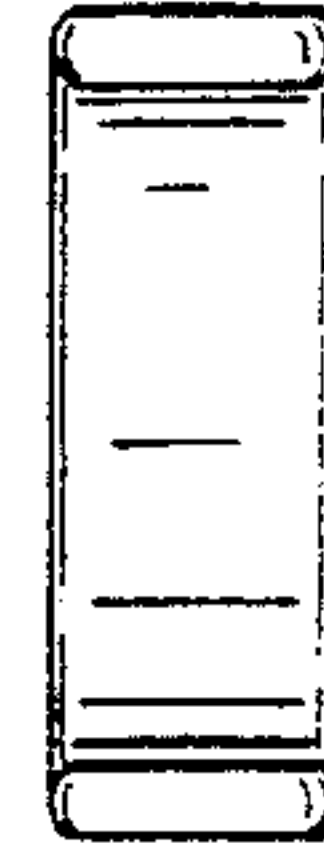


FIG-6