



US00D378489S

# United States Patent [19]

Poehlmann

[11] Patent Number: **Des. 378,489**

[45] Date of Patent: **\*\*Mar. 18, 1997**

[54] KNIFE

[76] Inventor: **Paul W. Poehlmann**, P.O. Box 412,  
Heriot Bay, Canada, V0P 1H0

[\*\*] Term: **14 Years**

[21] Appl. No.: **33,468**

[22] Filed: **Jan. 13, 1995**

[52] U.S. Cl. .... **D8/99**

[58] Field of Search ..... D8/98, 99, 107;  
D22/118; 30/157, 158, 159, 160, 161, 162

### [56] References Cited

#### U.S. PATENT DOCUMENTS

D. 252,182	6/1979	Poehlmann	.....	D8/99
D. 256,427	8/1980	Lile	.....	D8/99
D. 256,982	9/1980	Sakurai	.....	D8/99
D. 310,621	9/1990	Thompson	.....	D8/99
D. 348,818	7/1994	Hasegawa	.....	D8/99
400,987	4/1889	Wilzin	.....	30/159
492,084	2/1893	Brigham	.....	30/159
603,847	5/1898	Harvey	.....	30/161
1,647,405	11/1927	Giesen	.....	30/160
1,701,027	2/1929	Brown	.....	30/159
2,286,524	6/1942	Wilbur	.....	30/161
2,530,236	11/1950	Erickson	.....	30/159
3,783,509	1/1974	Lake	.....	D8/99
3,942,249	3/1976	Poehlmann	.....	30/160
4,170,061	10/1979	Henry	.....	30/160
4,272,887	6/1981	Poehlmann	.....	30/161
4,404,748	9/1983	Wiethoff	.....	30/161
4,451,982	6/1984	Collins	.....	D8/99
4,541,175	9/1985	Boyd et al.	.....	30/161

4,979,301	12/1990	Walker	.....	30/161
4,985,998	1/1991	Howard	.....	30/158
5,092,045	3/1992	Boyd, Jr. et al.	.....	30/161
5,111,581	5/1992	Collins	.....	30/161
5,327,651	7/1994	Favreau	.....	30/161

#### FOREIGN PATENT DOCUMENTS

549428	11/1942	United Kingdom	.....	30/160
--------	---------	----------------	-------	--------

#### OTHER PUBLICATIONS

Blade Magazine, 1988, p. 16, Timberline Knife.  
The Edge Company Store, 1992, p. 2, Quick Silver Knives.

*Primary Examiner*—Philip S. Hyder  
*Attorney, Agent, or Firm*—Bogle & Gates P.L.L.C.

### [57] CLAIM

The ornamental design for a knife, as shown and described.

#### DESCRIPTION

FIG. 1 is a top plan view of a knife according to the present invention;  
FIG. 2 is a side elevational view of a first side of the knife of FIG. 1;  
FIG. 3 is a left end view of the knife of FIG. 1;  
FIG. 4 is a right end view of the knife of FIG. 1;  
FIG. 5 is a bottom plan view of the knife of FIG. 1;  
FIG. 6 is a side elevational view of the knife of FIG. 1 showing the side opposite to that depicted in FIG. 2; and,  
FIG. 7 is a view of the knife of FIG. 2 but showing the knife in a folded configuration.

1 Claim, 1 Drawing Sheet

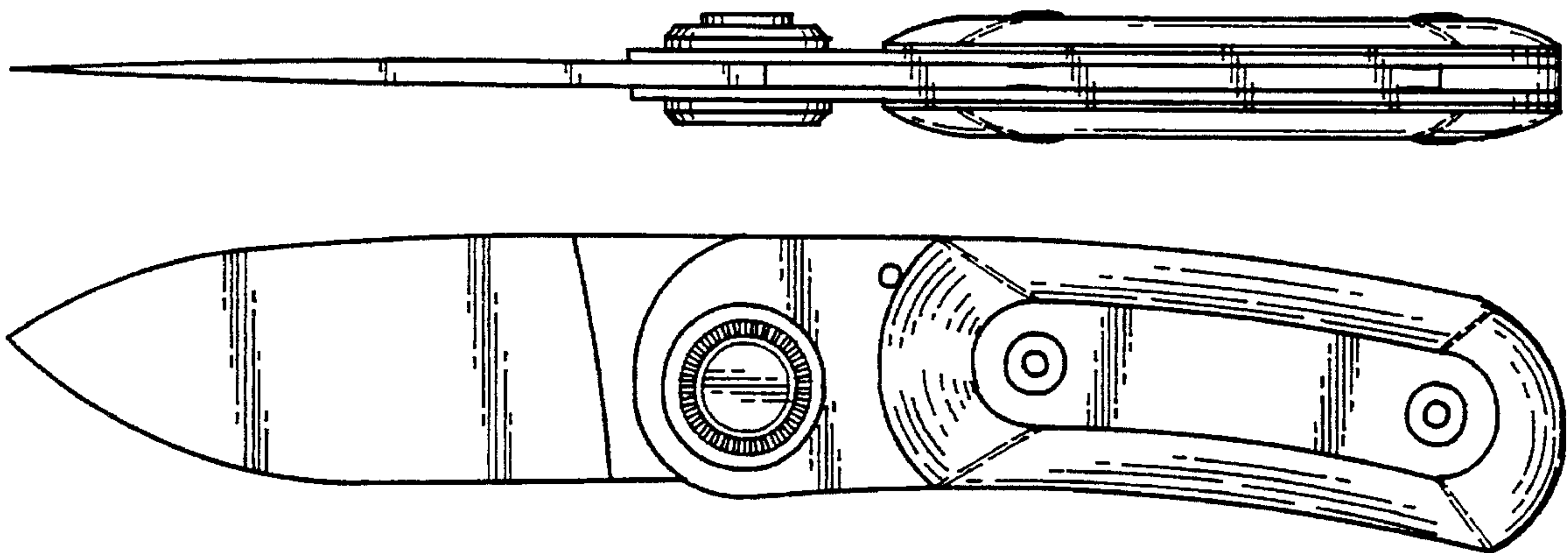


FIG. 1

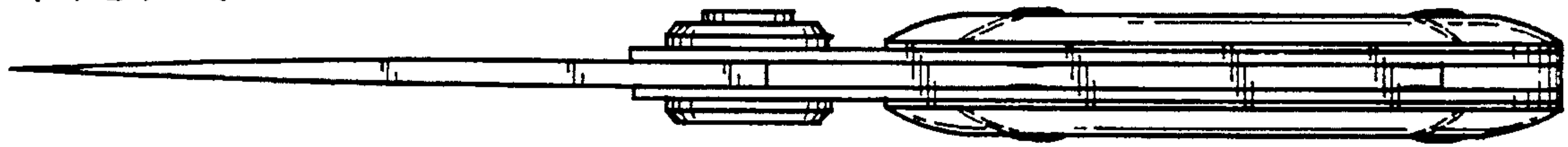


FIG. 2

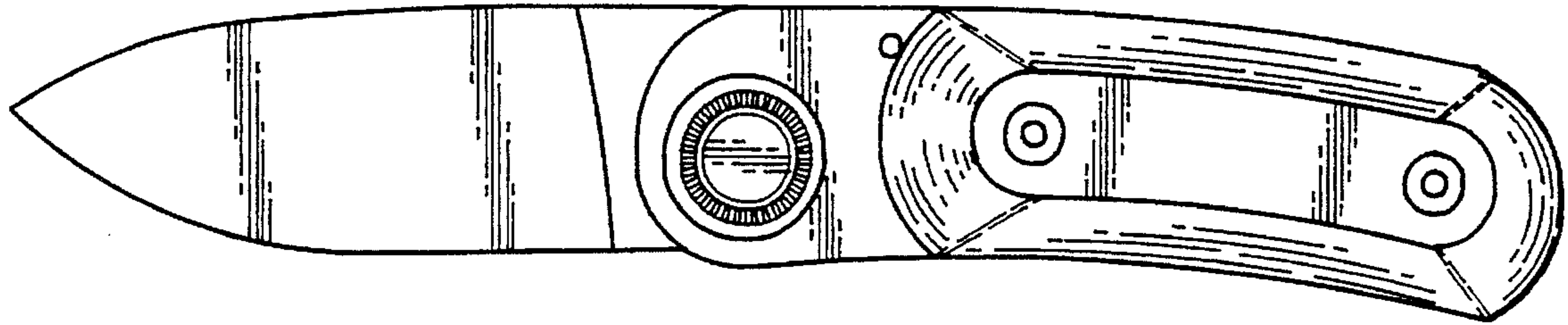


FIG. 5

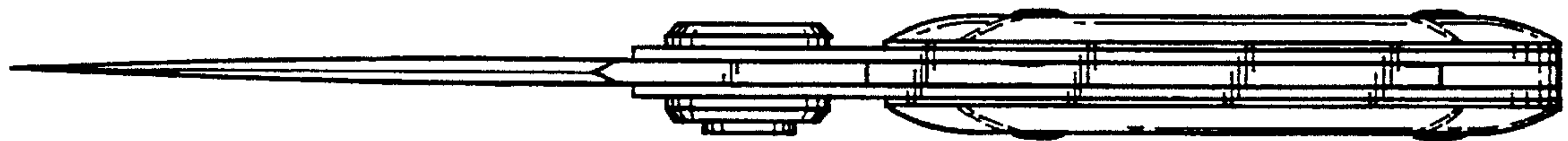


FIG. 6

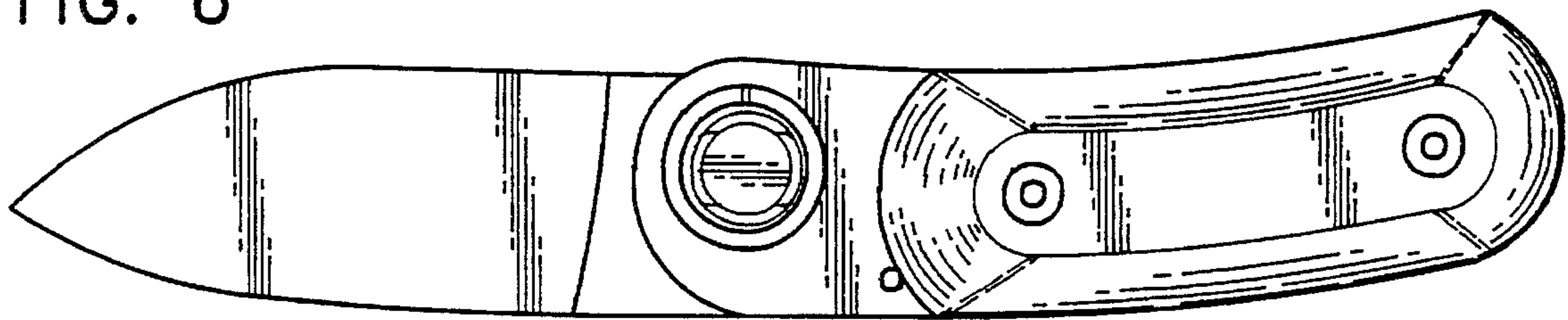


FIG. 4



FIG. 3

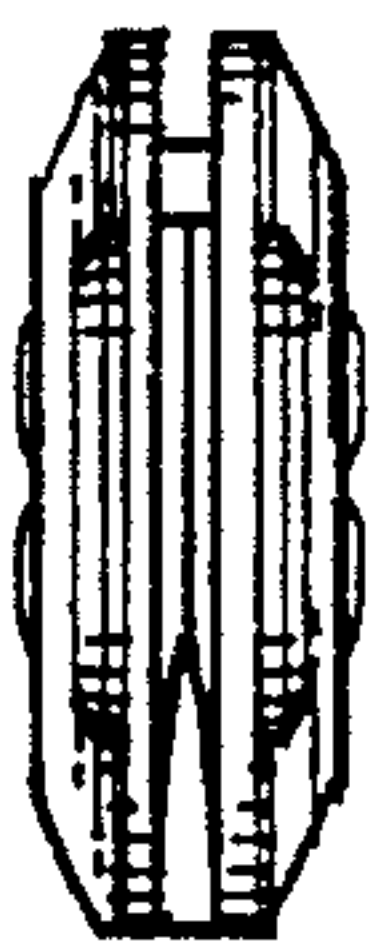


FIG. 7

