



US00D378488S

United States Patent [19]

[11] Patent Number: **Des. 378,488**

Ito et al.

[45] Date of Patent: ****Mar. 18, 1997**

[54] **PORTABLE ELECTRIC CIRCULAR SAW**

D. 370,162	5/1996	Brazell et al.	D8/66
4,959,907	10/1990	Buratty	30/388
5,077,896	1/1992	Rivera	30/381 X

[75] Inventors: **Akihiro Ito; Kouichi Kawai**, both of Anjo, Japan

OTHER PUBLICATIONS

[73] Assignee: **Makita Corporation**, Japan

Makita "General Catalogue", Dec. 1994, p. 33 & cover.

[**] Term: **14 Years**

Primary Examiner—Antoine Duval Davis
Attorney, Agent, or Firm—Dennison, Meserole, Pollack & Scheiner

[21] Appl. No.: **49,103**

[22] Filed: **Jan. 17, 1996**

[57] CLAIM

[30] Foreign Application Priority Data

The ornamental design for a portable electric circular saw, as shown and described.

Jul. 18, 1995 [JP] Japan 7-20818

[52] U.S. Cl. **D8/66**

DESCRIPTION

[58] Field of Search D8/66; 30/388, 30/389, 390, 391; 83/666, 574, 701

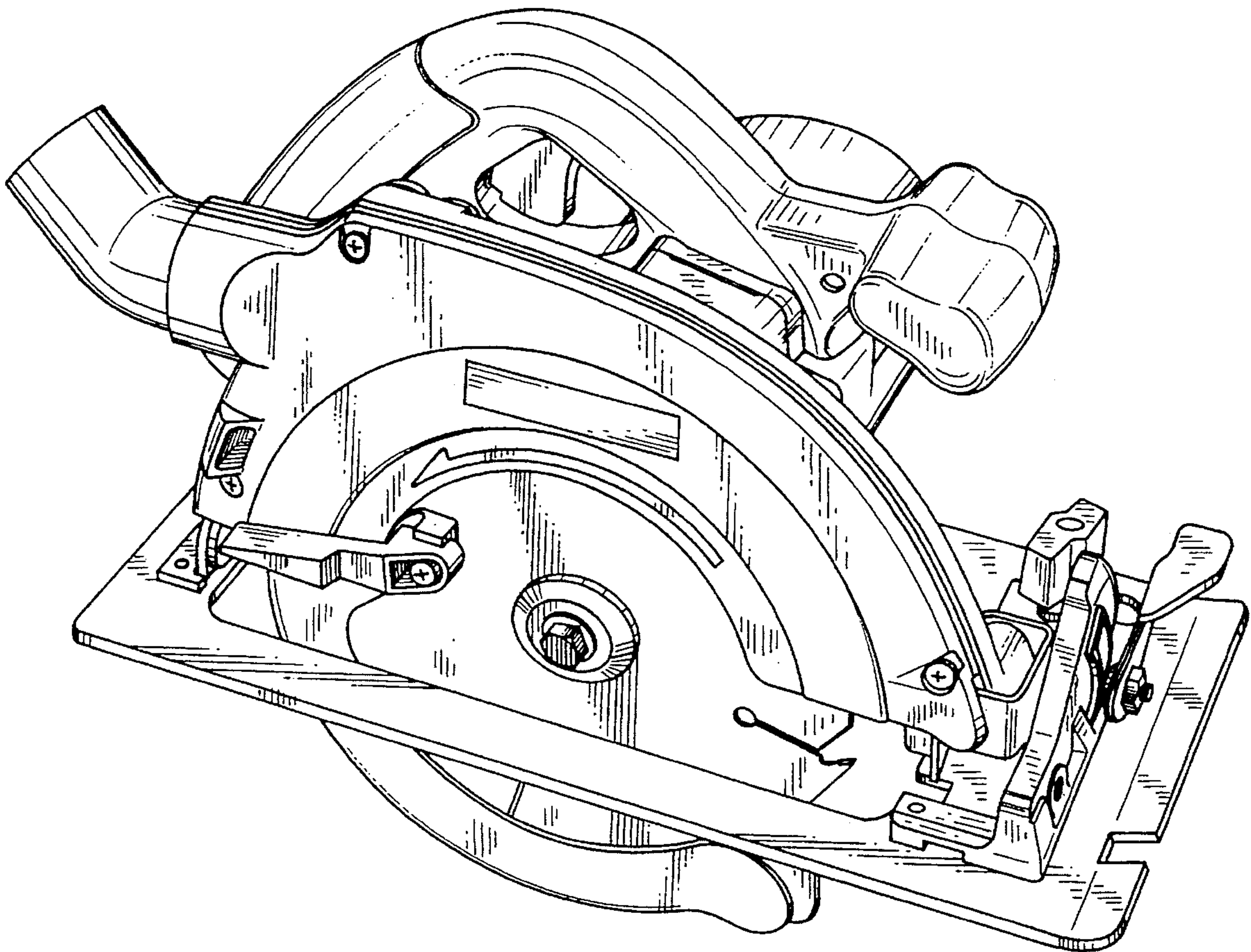
FIG. 1 is a perspective view of a portable electric circular saw showing our new design;
FIG. 2 is a front elevational view thereof;
FIG. 3 is a rear elevational view thereof;
FIG. 4 is a left side elevational view thereof;
FIG. 5 is a right side elevational view thereof;
FIG. 6 is a top plan view thereof; and,
FIG. 7 is a bottom plan view thereof.

[56] References Cited

U.S. PATENT DOCUMENTS

D. 320,729	10/1991	Zurwelle .
D. 326,399	5/1992	Fushiya et al. .
D. 327,828	7/1992	Hoshino et al. .
D. 329,363	9/1992	Sasaki et al. .
D. 334,523	4/1993	Hoshino et al. .

1 Claim, 7 Drawing Sheets



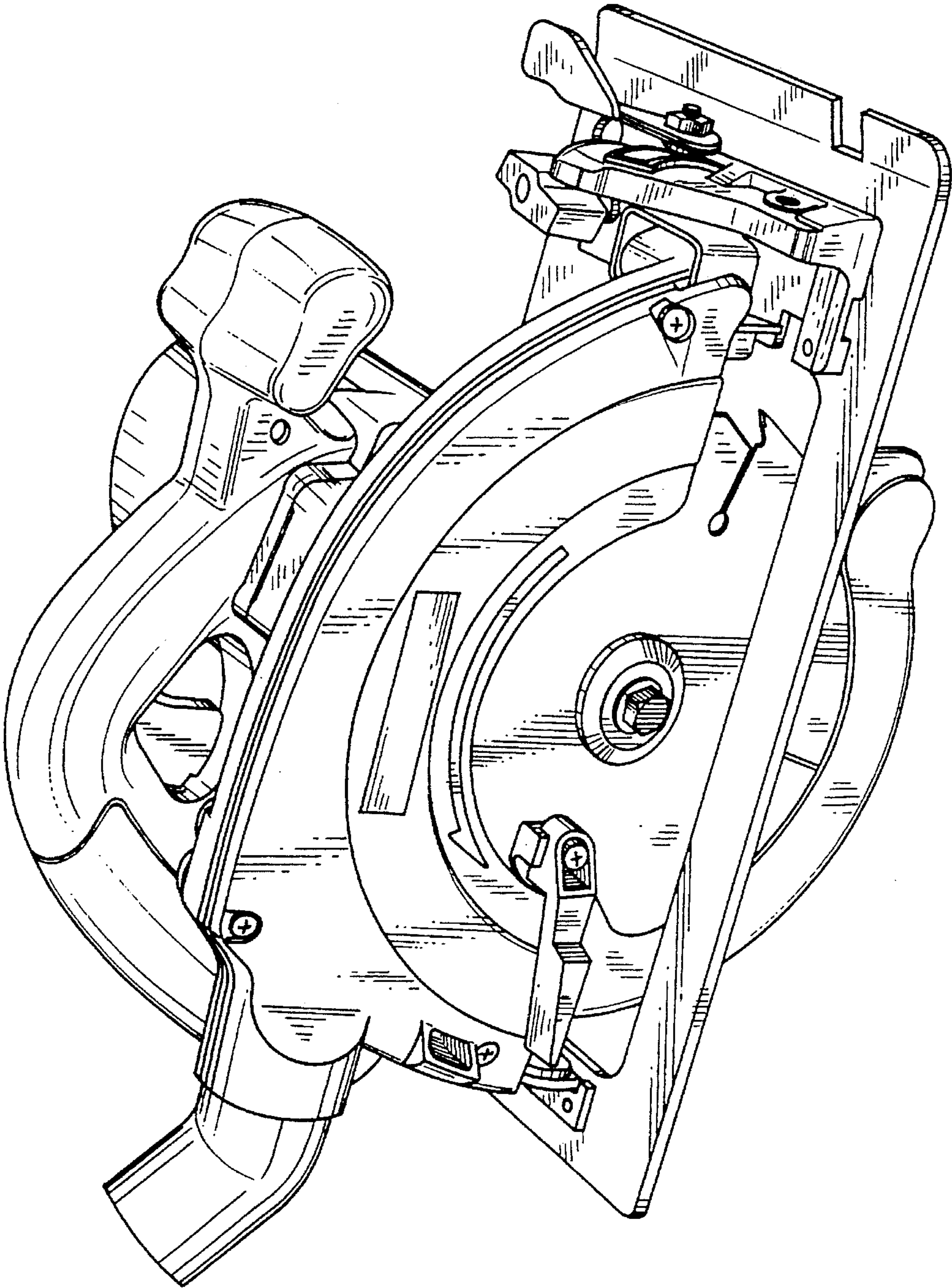


FIG.1

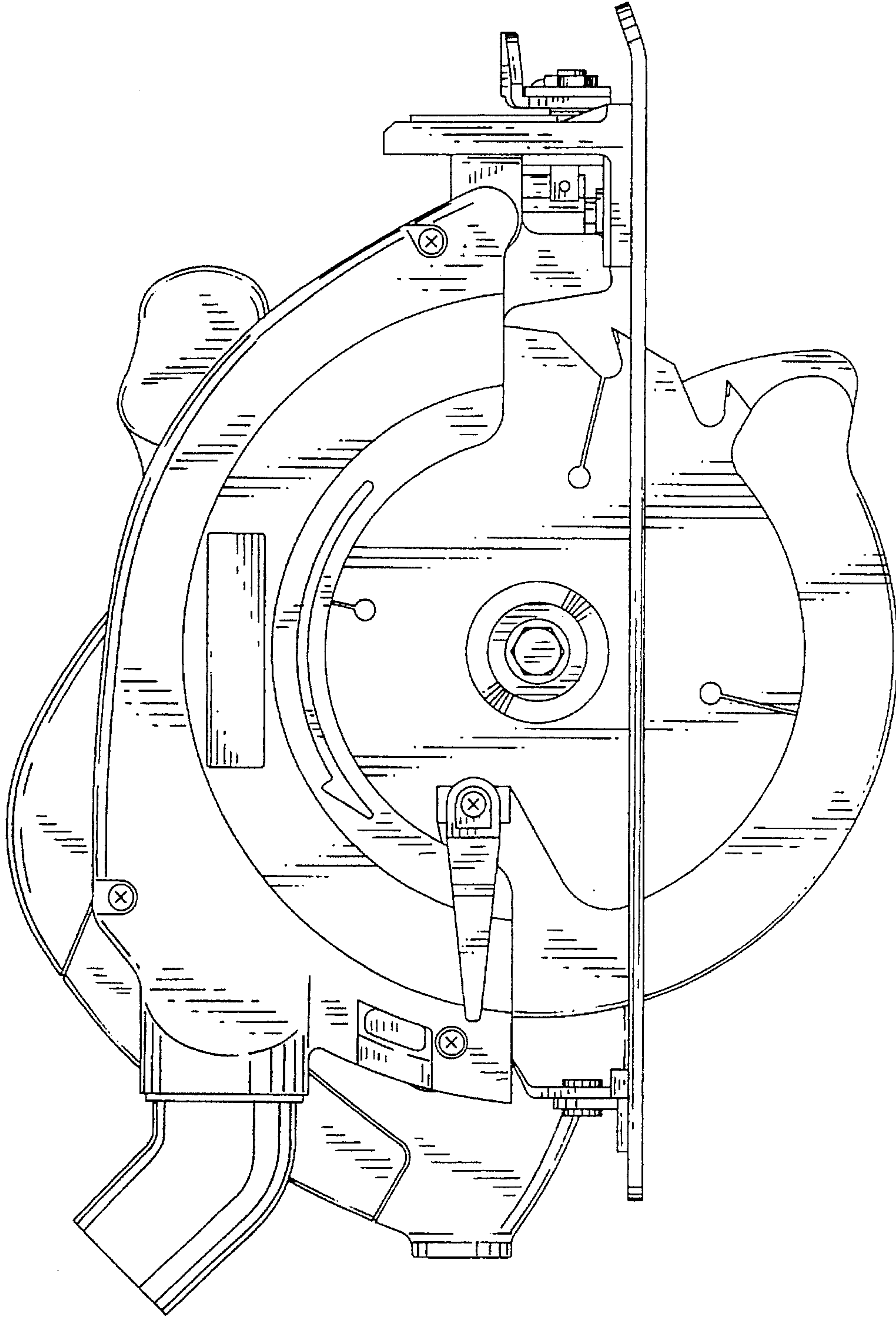


FIG. 2

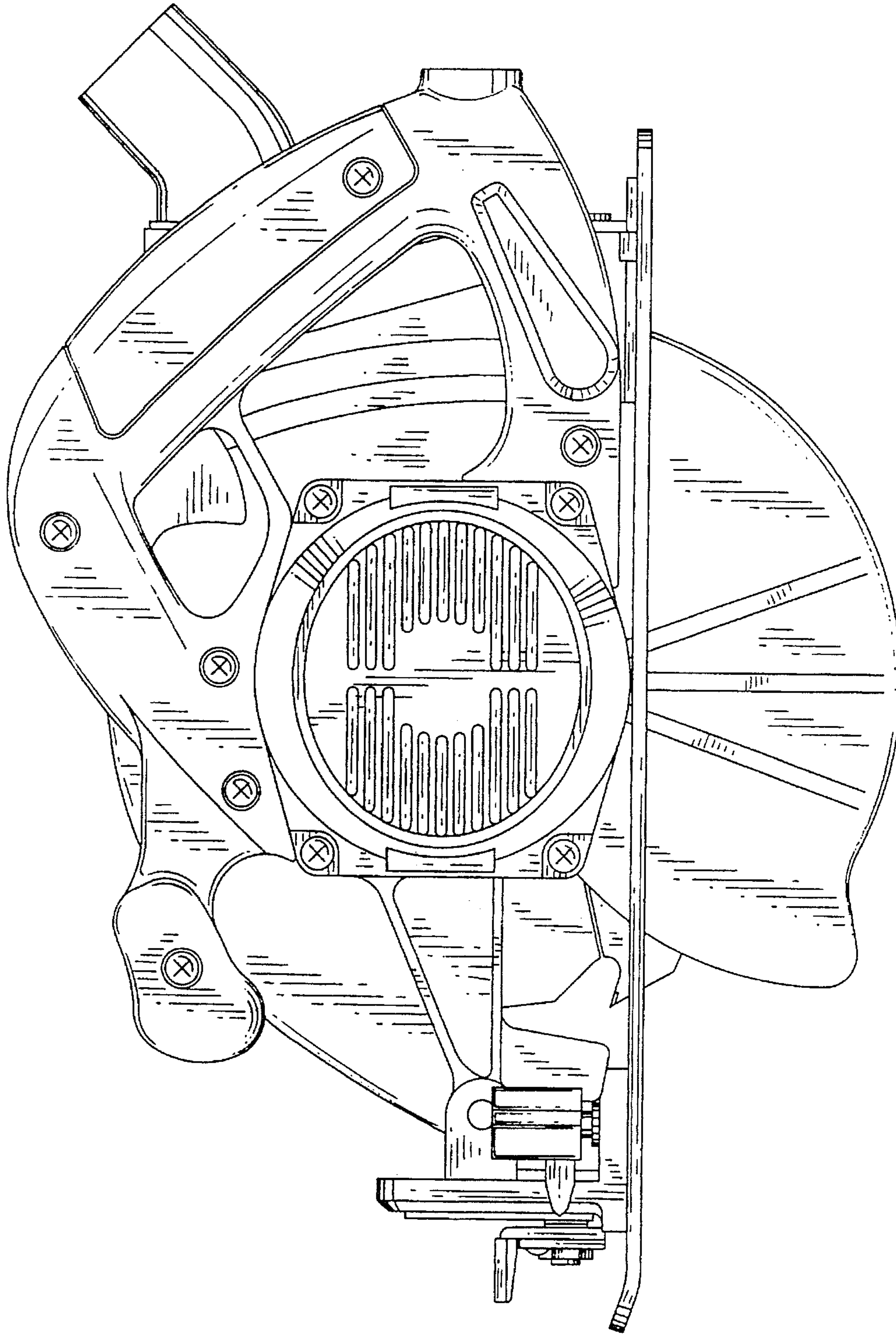


FIG. 3

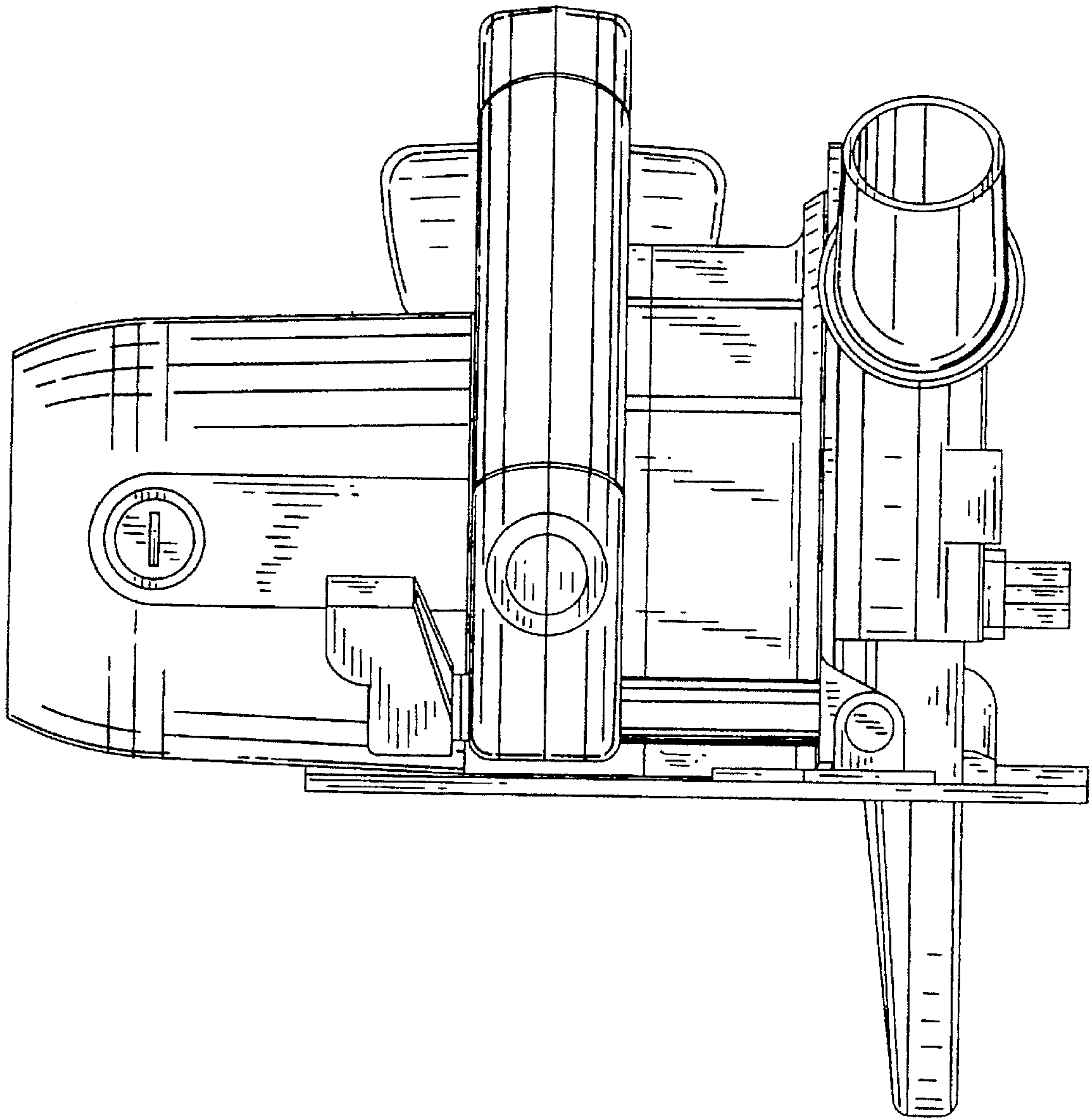


FIG. 4

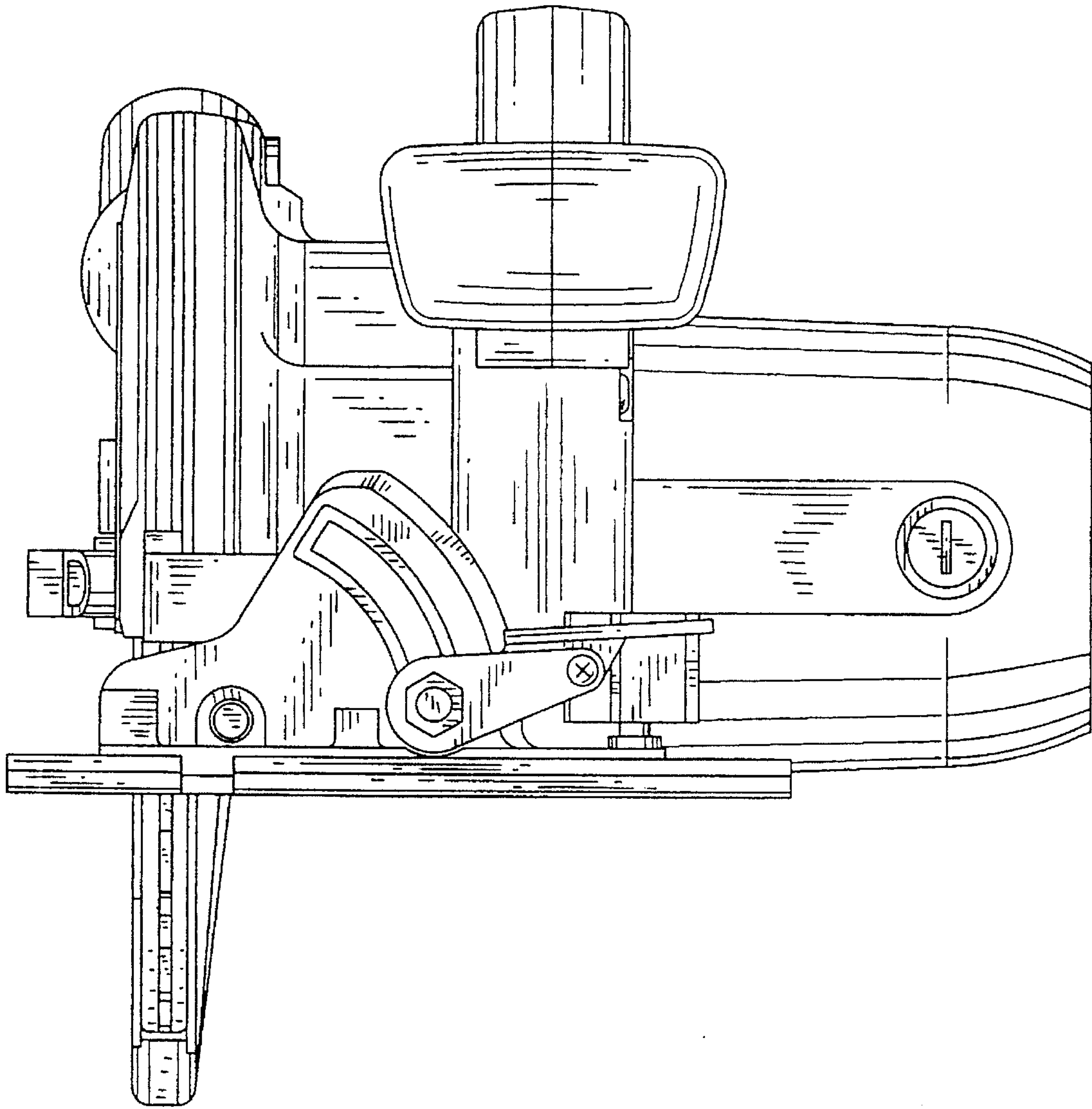


FIG.5

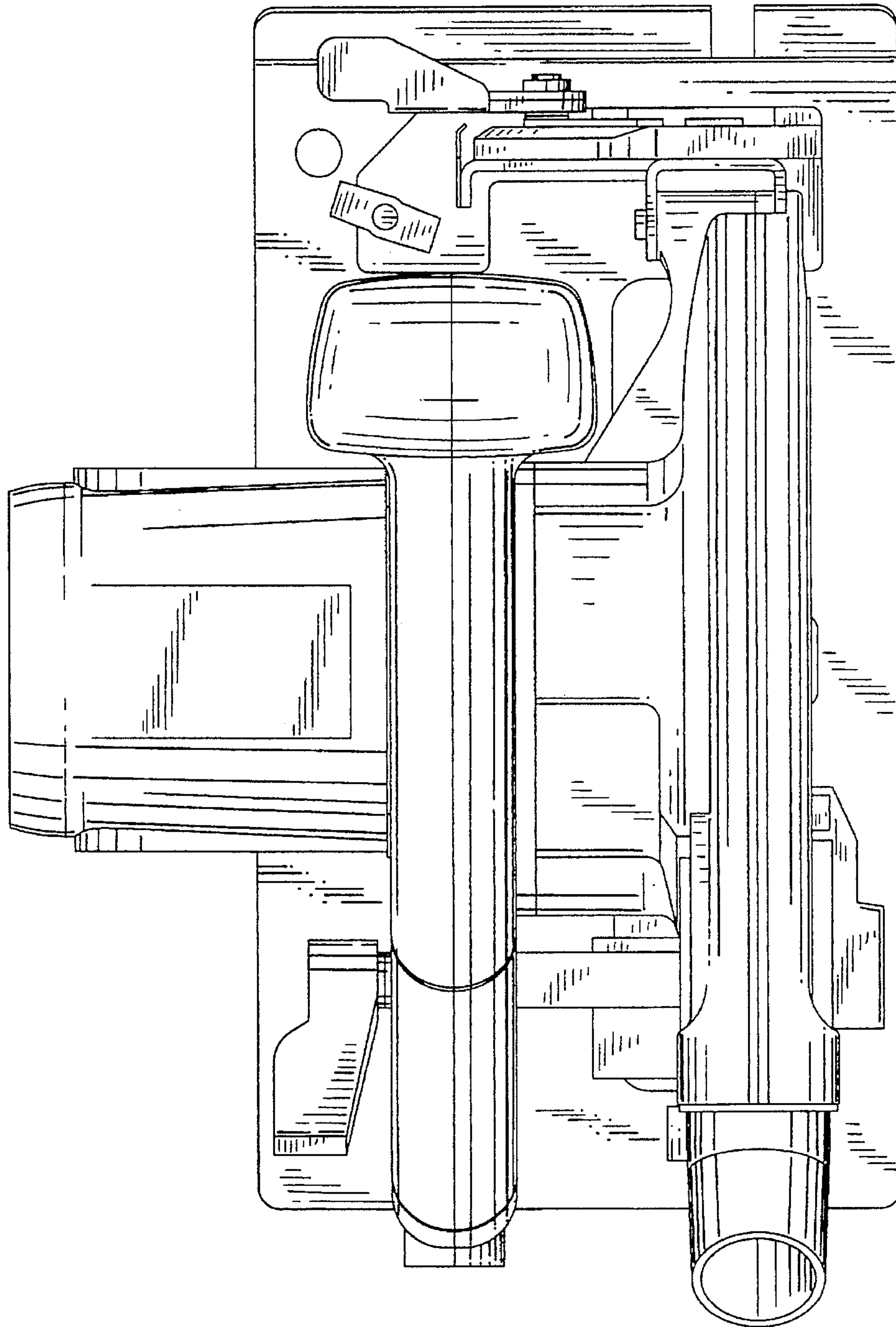


FIG. 6

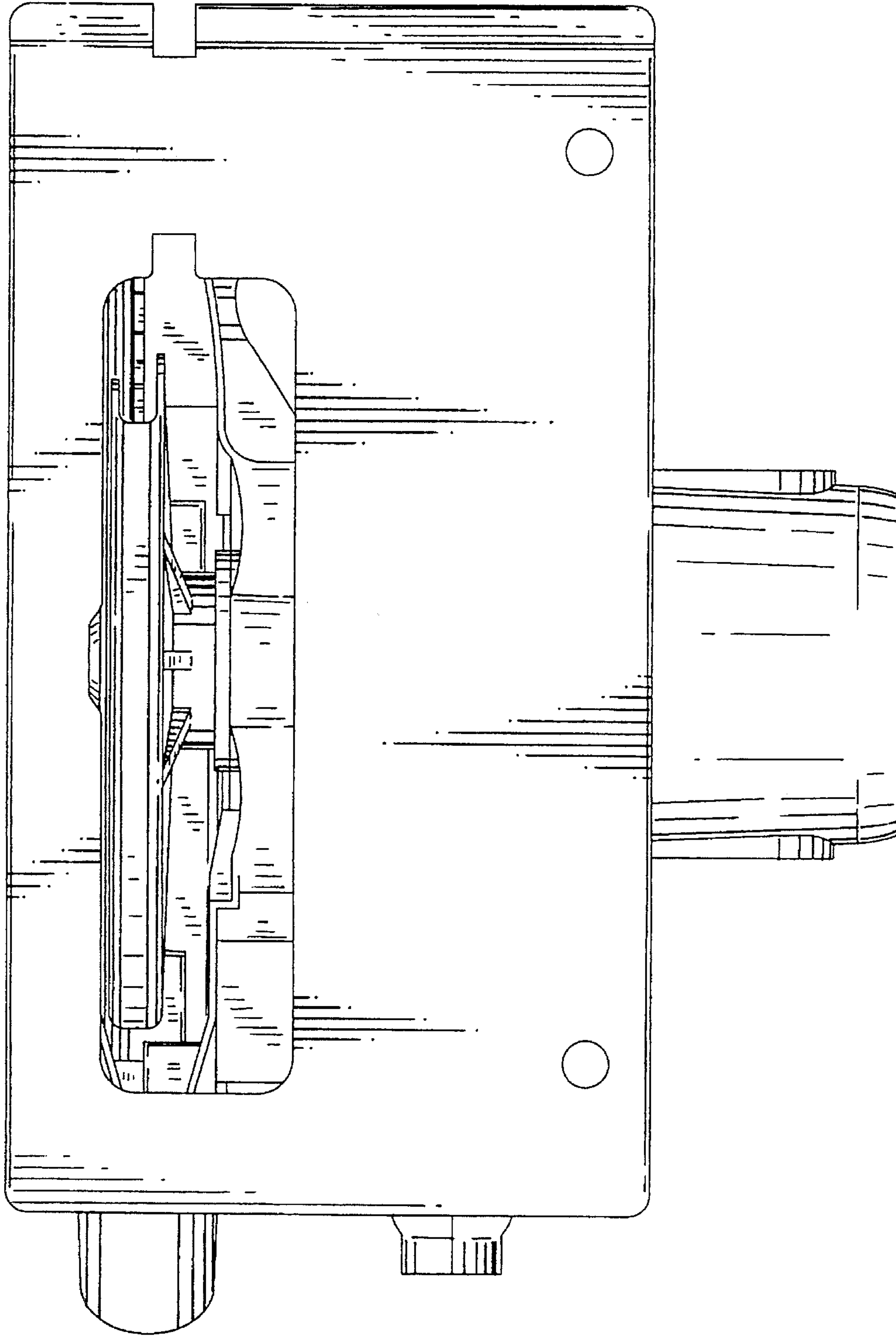


FIG.7