



US00D378487S

**United States Patent** [19]  
**Salas**

[11] **Patent Number: Des. 378,487**

[45] **Date of Patent: \*\*Mar. 18, 1997**

[54] **RANGE HOOD STAND**

[76] Inventor: **George Salas**, 2020 Pickle Rd., Oregon,  
Ohio 43616

[\*\*] Term: **14 Years**

[21] Appl. No.: **46,009**

[22] Filed: **Nov. 6, 1995**

[52] U.S. Cl. .... **D7/406**

[58] **Field of Search** ..... D7/406, 403; 248/163.1,  
248/163.2; 312/196, 245; 108/47, 48, 49;  
D6/449, 474, 472, 406

[56] **References Cited**

**U.S. PATENT DOCUMENTS**

D. 55,747	7/1920	Cole .....	D7/406
252,318	1/1982	Hudson .	
320,691	6/1885	Rawlings .....	126/332
2,868,108	1/1959	Petersen .....	98/115
3,082,680	3/1963	Nevin et al. ....	98/115
3,523,716	8/1970	Roggio, Jr. et al. ....	312/257
3,747,301	7/1973	Glover et al. ....	55/126
4,414,959	11/1983	Fair et al. ....	126/332

5,211,159 5/1993 Lieblein et al. .... 126/299  
5,460,101 10/1995 Garbutt, Sr. .... 312/245 X

*Primary Examiner*—Louis S. Zarfaz  
*Assistant Examiner*—Frank Martinez  
*Attorney, Agent, or Firm*—Brinks Hofer Gilson & Lione

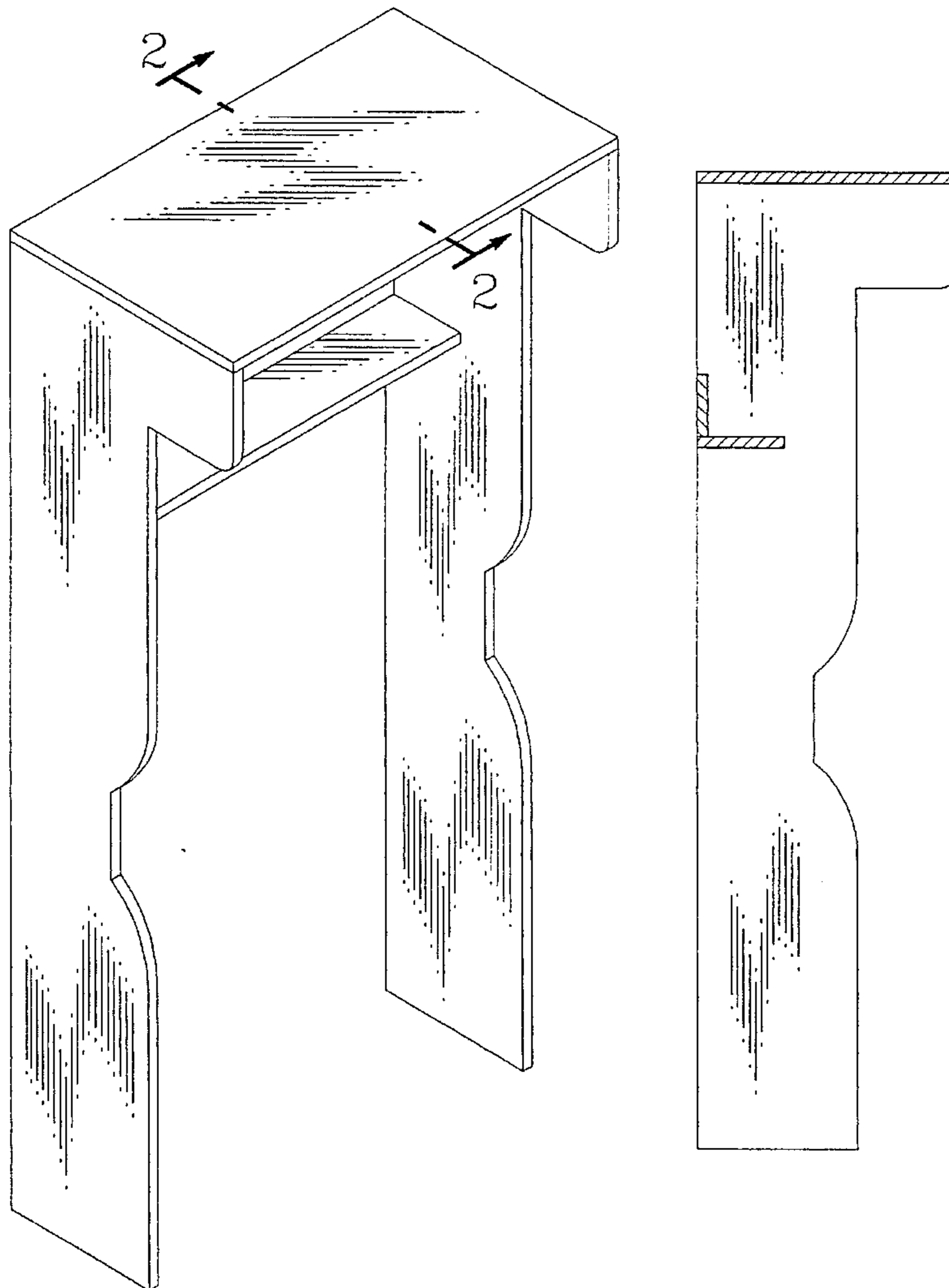
[57] **CLAIM**

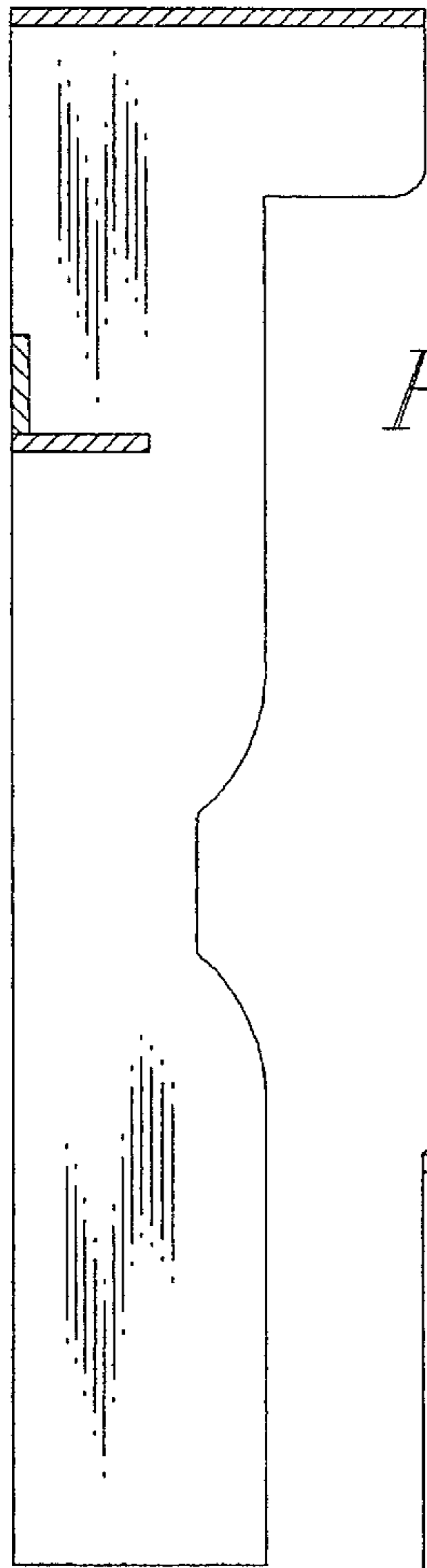
The ornamental design for a range hood stand, as shown.

**DESCRIPTION**

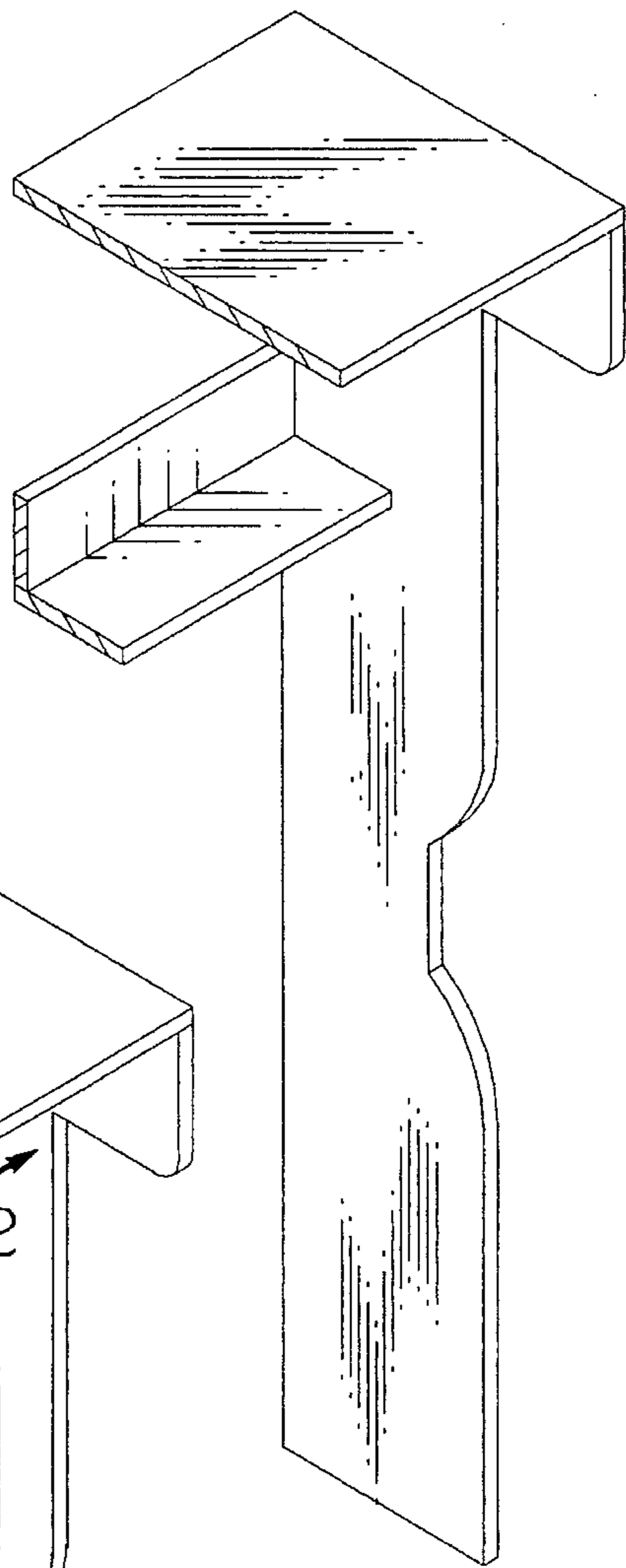
FIG. 1 is a perspective view of a range hood stand showing my new design;  
FIG. 2 is a sectional view of the range hood stand of FIG. 1 taken along line 2—2;  
FIG. 3 is a perspective view of the portion of the range hood stand shown in FIG. 2;  
FIG. 4 is a front view;  
FIG. 5 is a side view; the opposite view being the same as that shown;  
FIG. 6 is a top view; and,  
FIG. 7 is a bottom view.

**1 Claim, 2 Drawing Sheets**

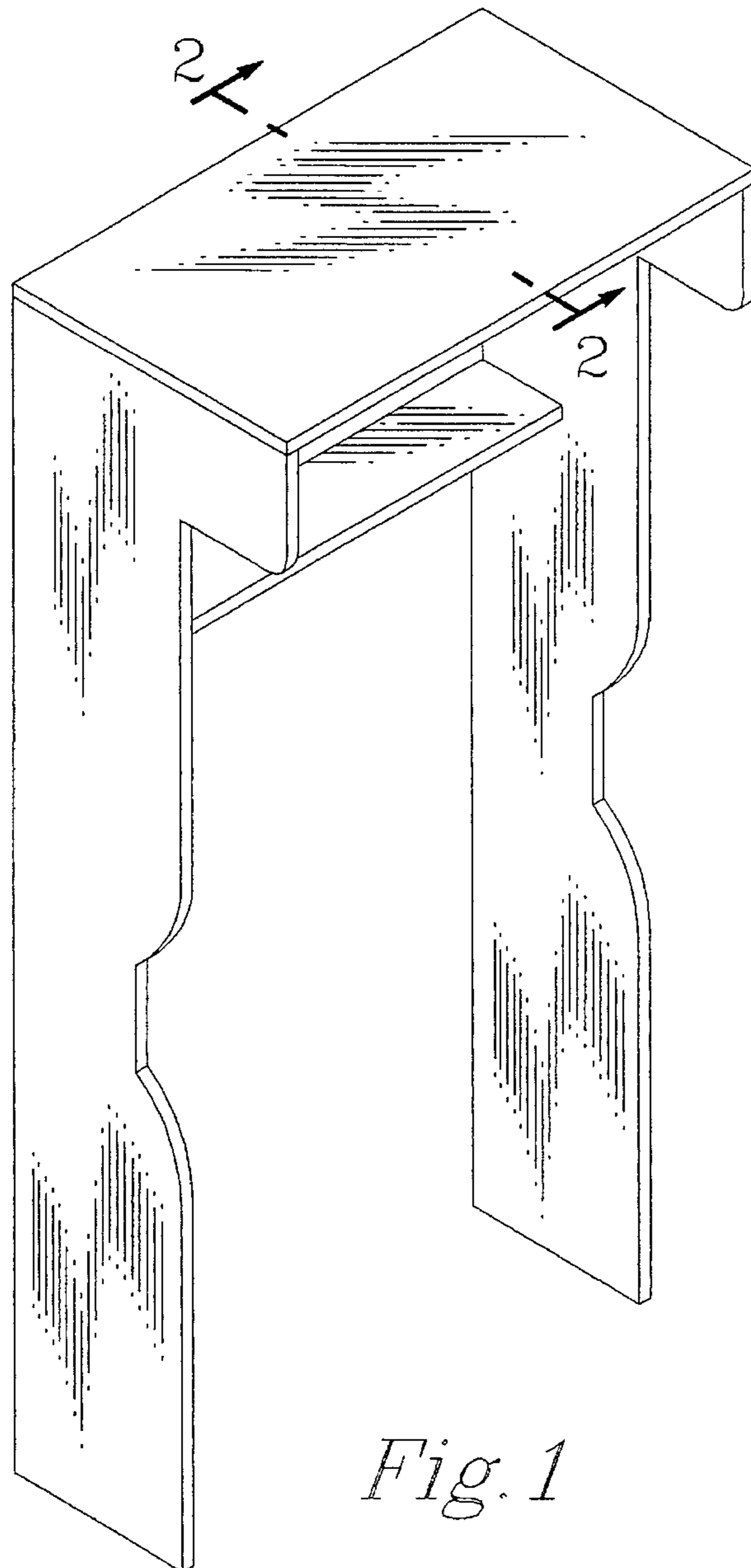




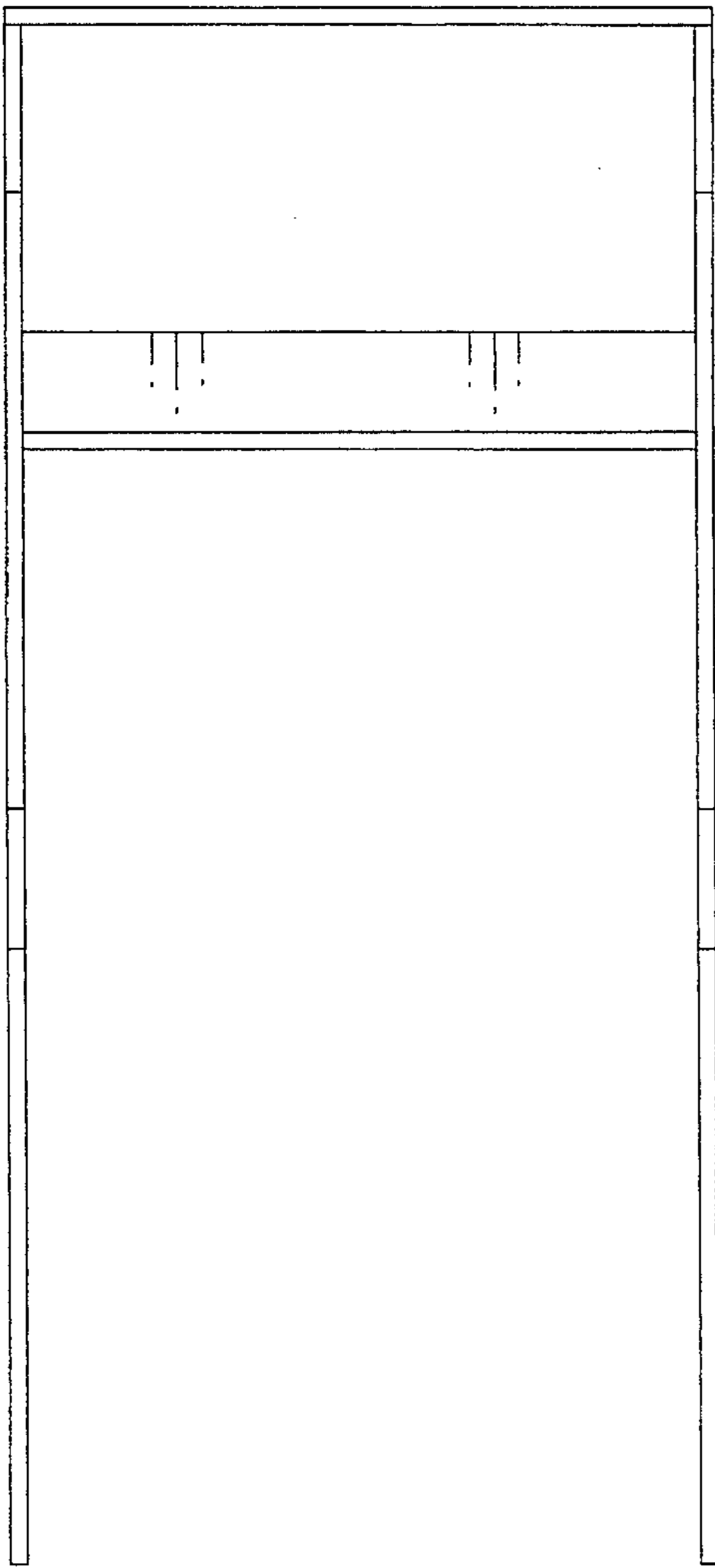
*Fig. 2*



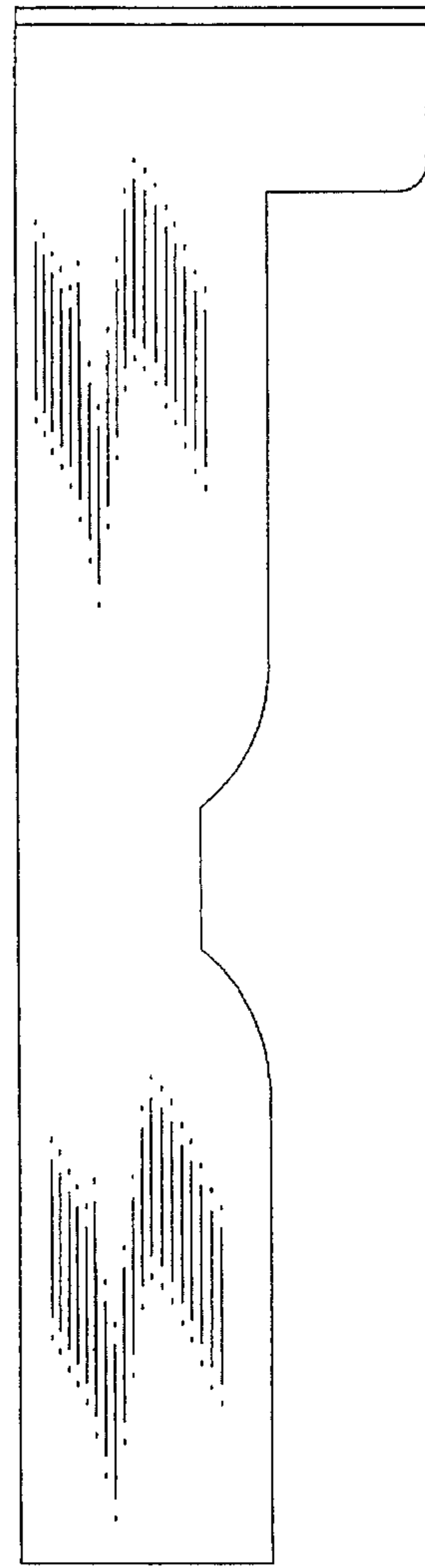
*Fig. 3*



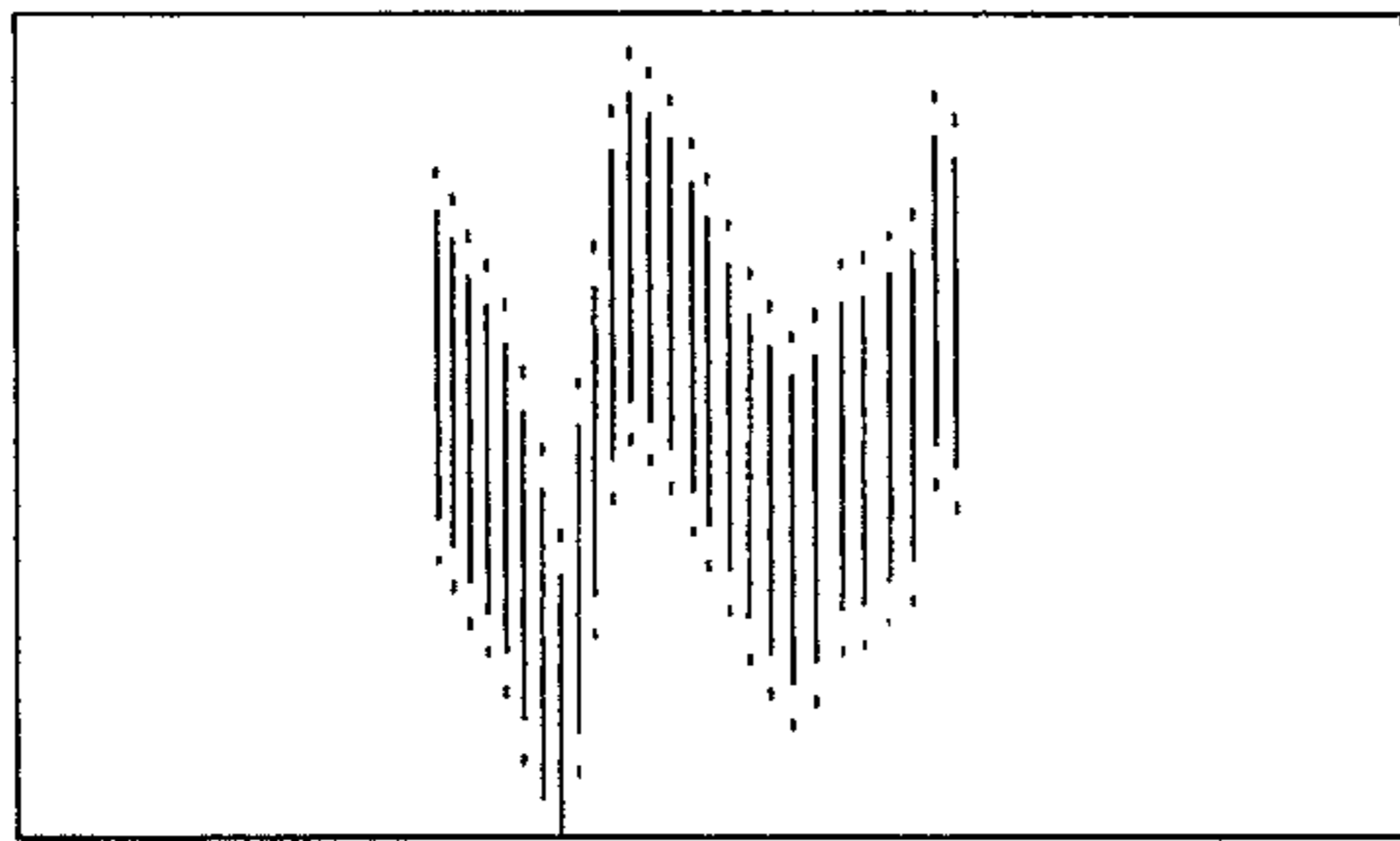
*Fig. 1*



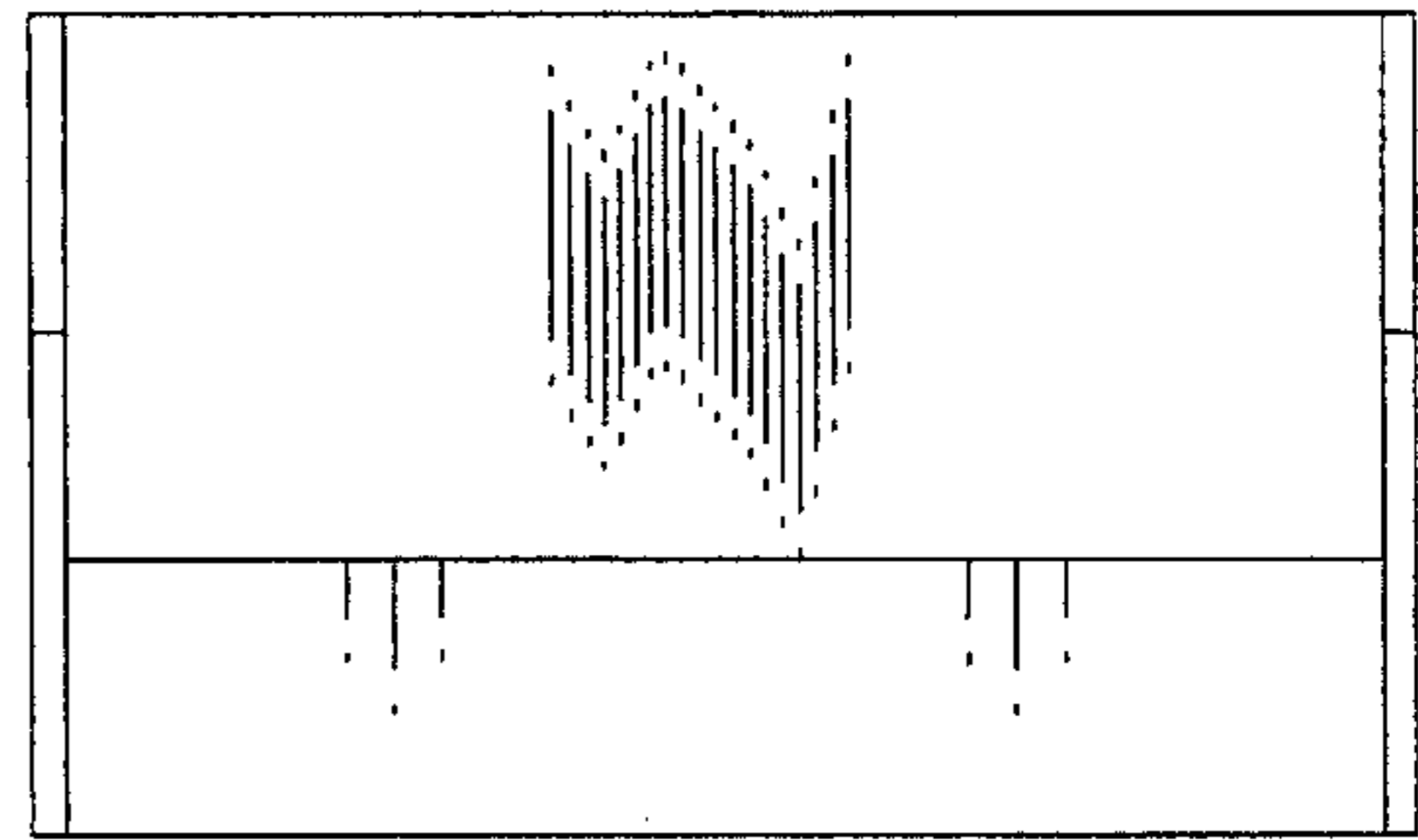
*Fig. 4*



*Fig. 5*



*Fig. 6*



*Fig. 7*