



US00D378484S

United States Patent [19]
Harrison

[11] **Patent Number: Des. 378,484**

[45] **Date of Patent: **Mar. 18, 1997**

[54] **BAGEL COOKER**

D. 371,932 7/1996 Lee D7/350
5,526,734 6/1996 Harrison 99/339

[75] Inventor: **Robert G. Harrison**, Seattle, Wash.

Primary Examiner—Ruth McNroy

[73] Assignee: **PMI International Corporation**,
Seattle, Wash.

Attorney, Agent, or Firm—Hughes, Multer & Schacht, P.S.

[**] Term: **14 Years**

[57] **CLAIM**

The ornamental design for a bagel cooker, as shown and described.

[21] Appl. No.: **49,345**

DESCRIPTION

[22] Filed: **Jan. 23, 1996**

[52] U.S. Cl. **D7/350**

[58] **Field of Search** D7/348, 350-351,
D7/402, 338; 126/24, 38, 19 M, 275 R,
275 E, 21 A; 219/681, 756-758, 391; 99/467,
468, 352, 426, 403, 330, 336, 359

FIG. 1 is a perspective view of a bagel cooker showing my new design;

FIG. 2 is a rear elevational view thereof;

FIG. 3 is a front elevational view thereof;

FIG. 4 is a right side elevational view thereof;

FIG. 5 is a left side elevational view thereof;

FIG. 6 is a top plan view thereof; and,

FIG. 7 is a bottom plan view thereof.

The electric cord is shown broken away in all views and is understood to represent indeterminate length.

[56] **References Cited**

U.S. PATENT DOCUMENTS

D. 351,759 10/1994 Maruyama et al. D7/350
D. 354,195 1/1995 Kaneko D7/350
D. 360,104 7/1995 Wistrand D7/350

1 Claim, 4 Drawing Sheets

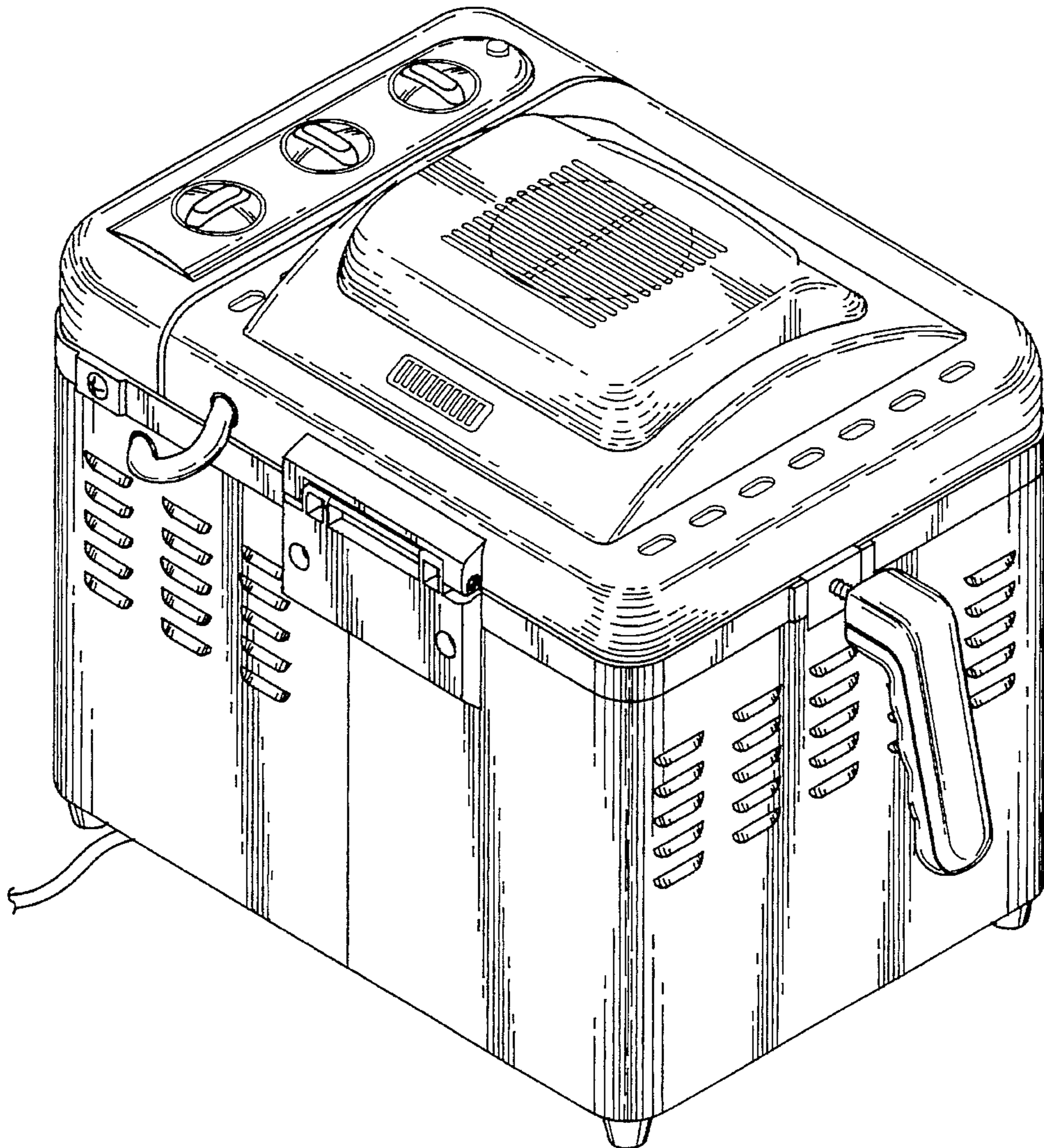


FIG. 1

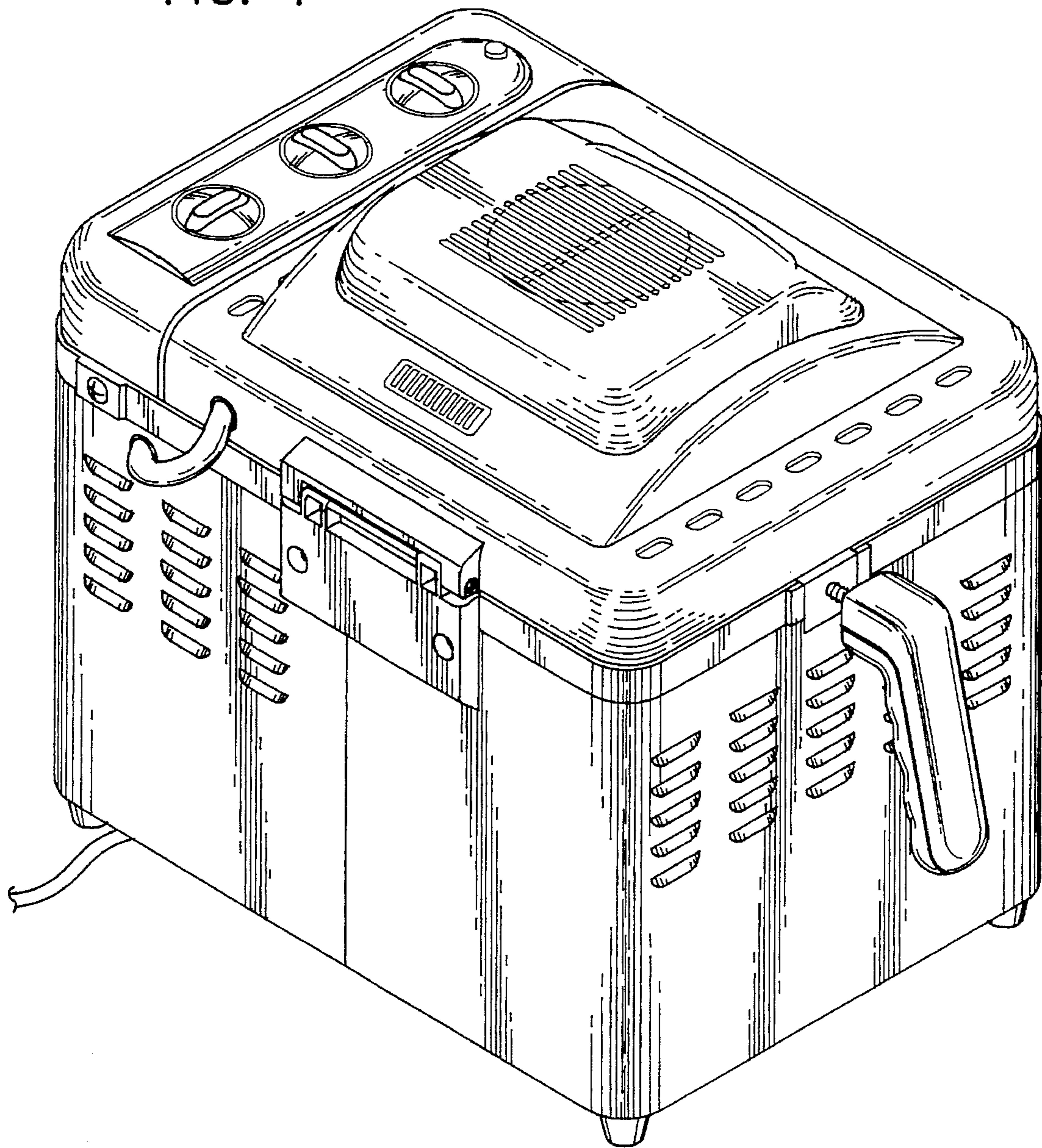


FIG. 2

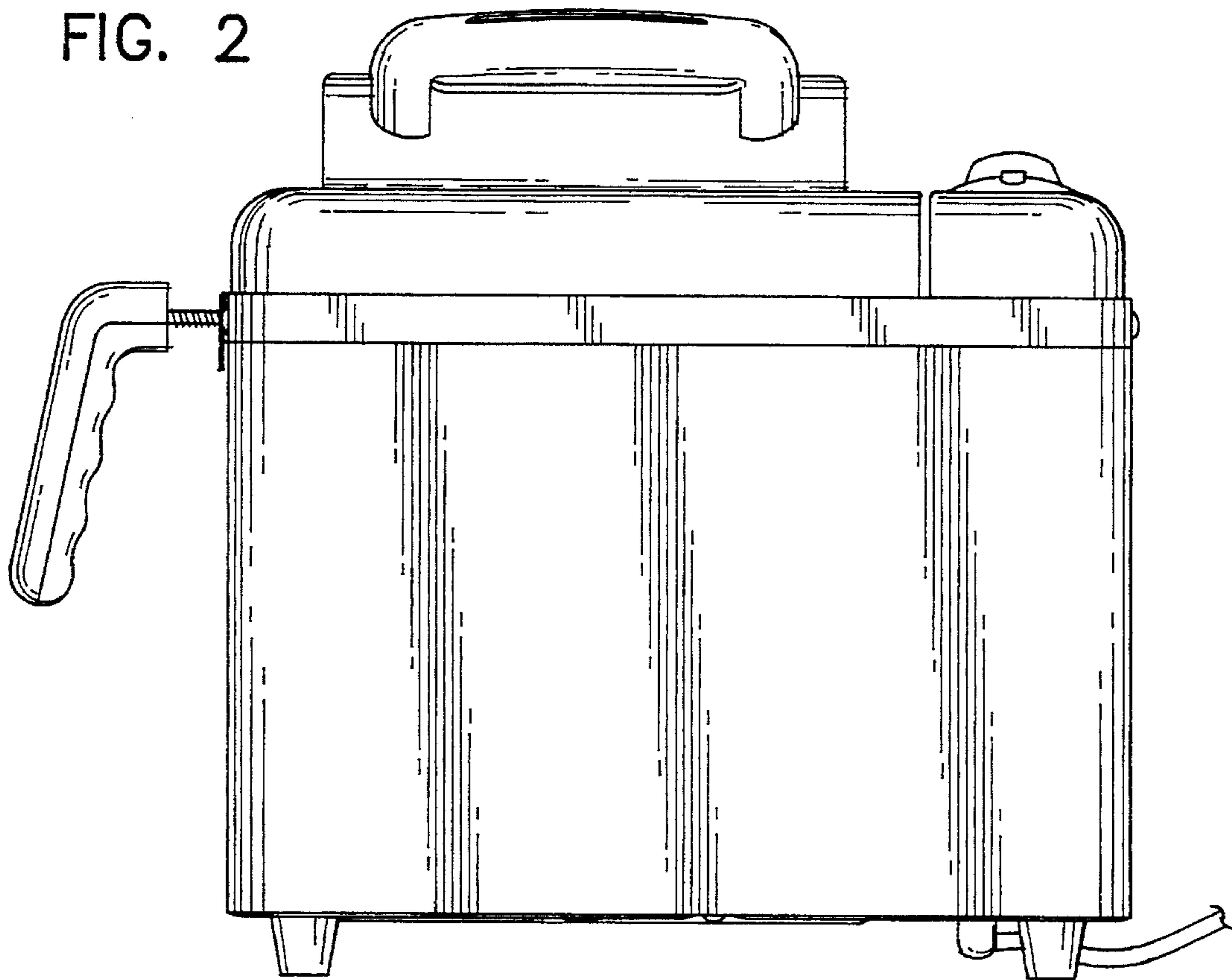


FIG. 3

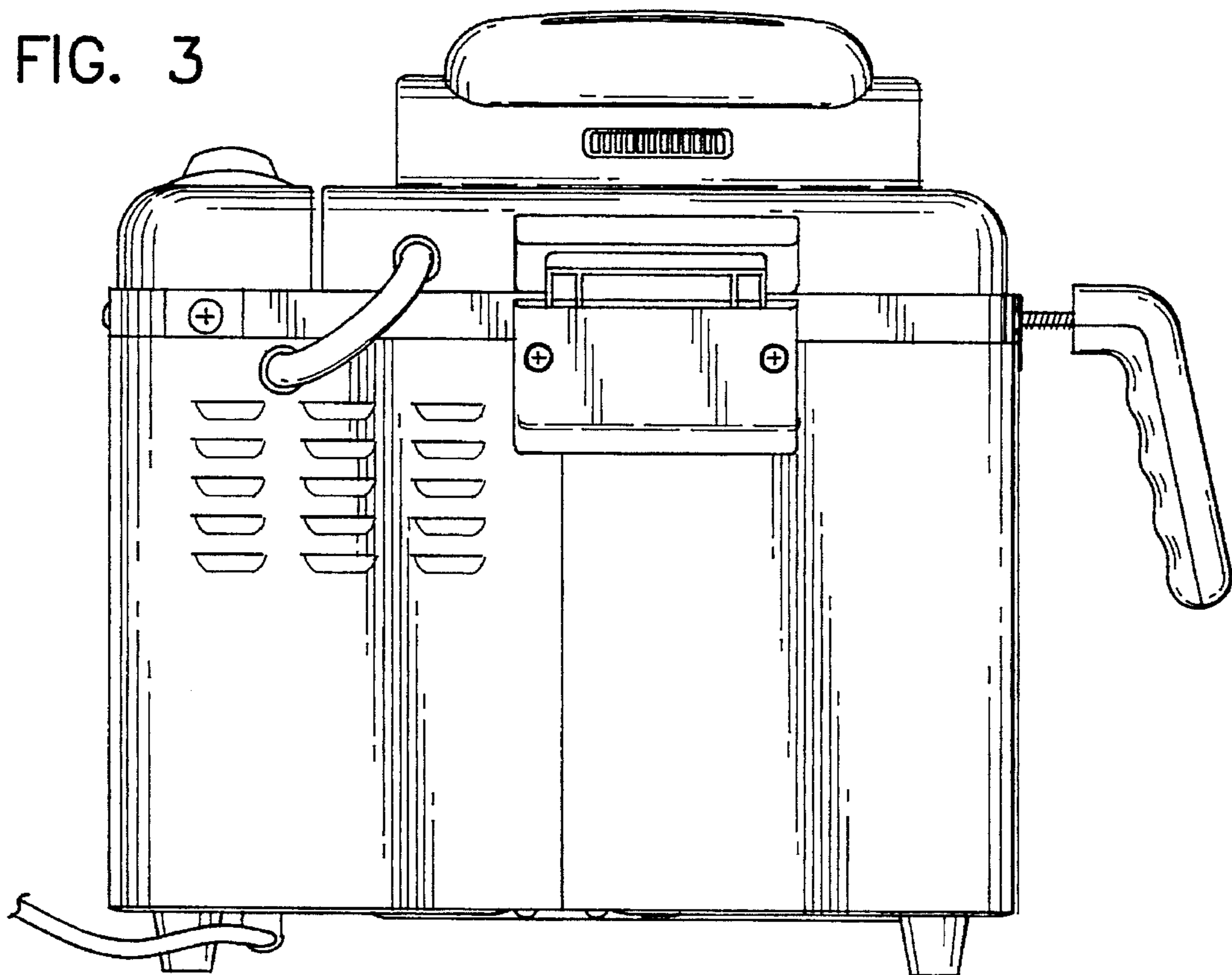


FIG. 4

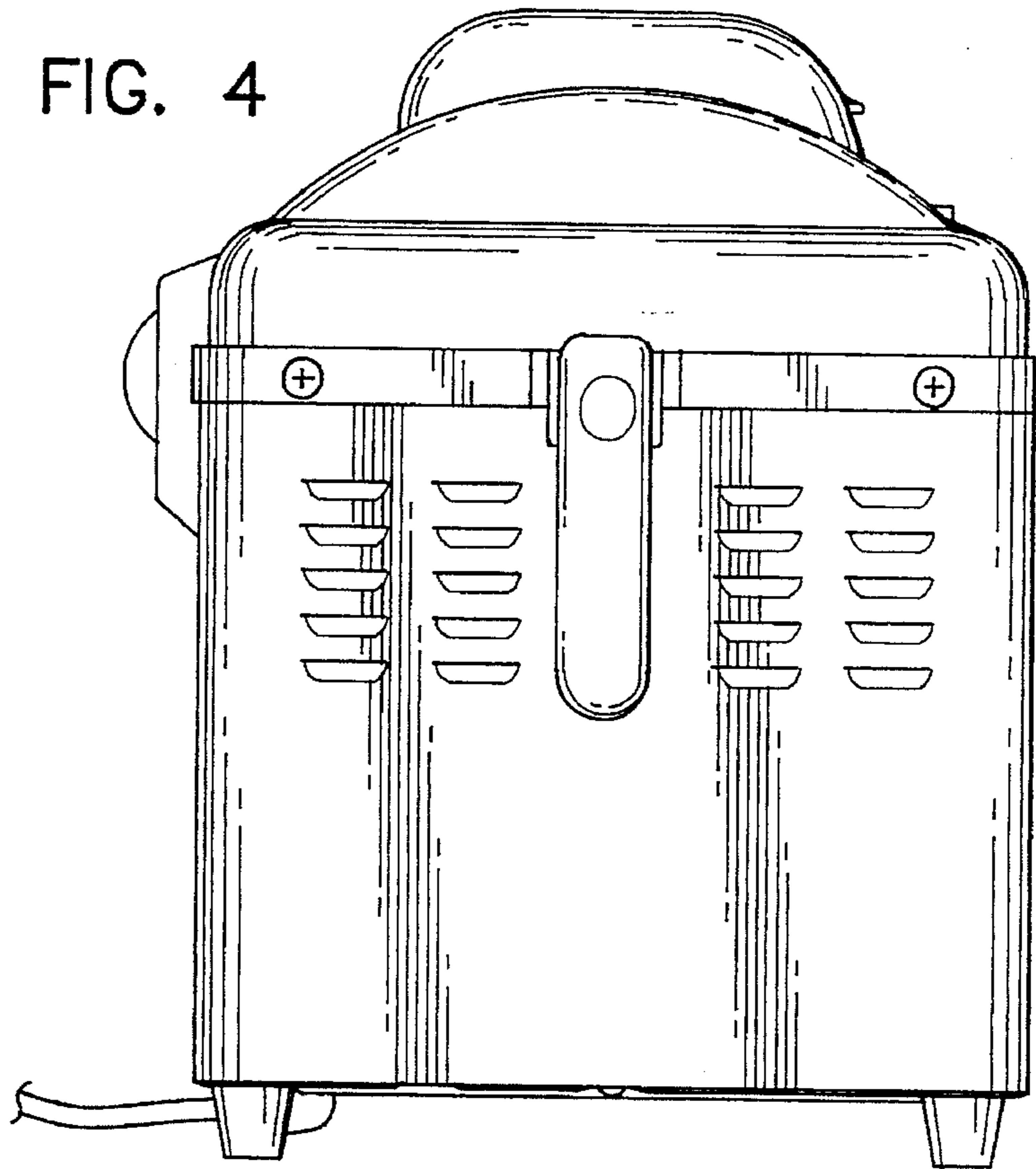


FIG. 5

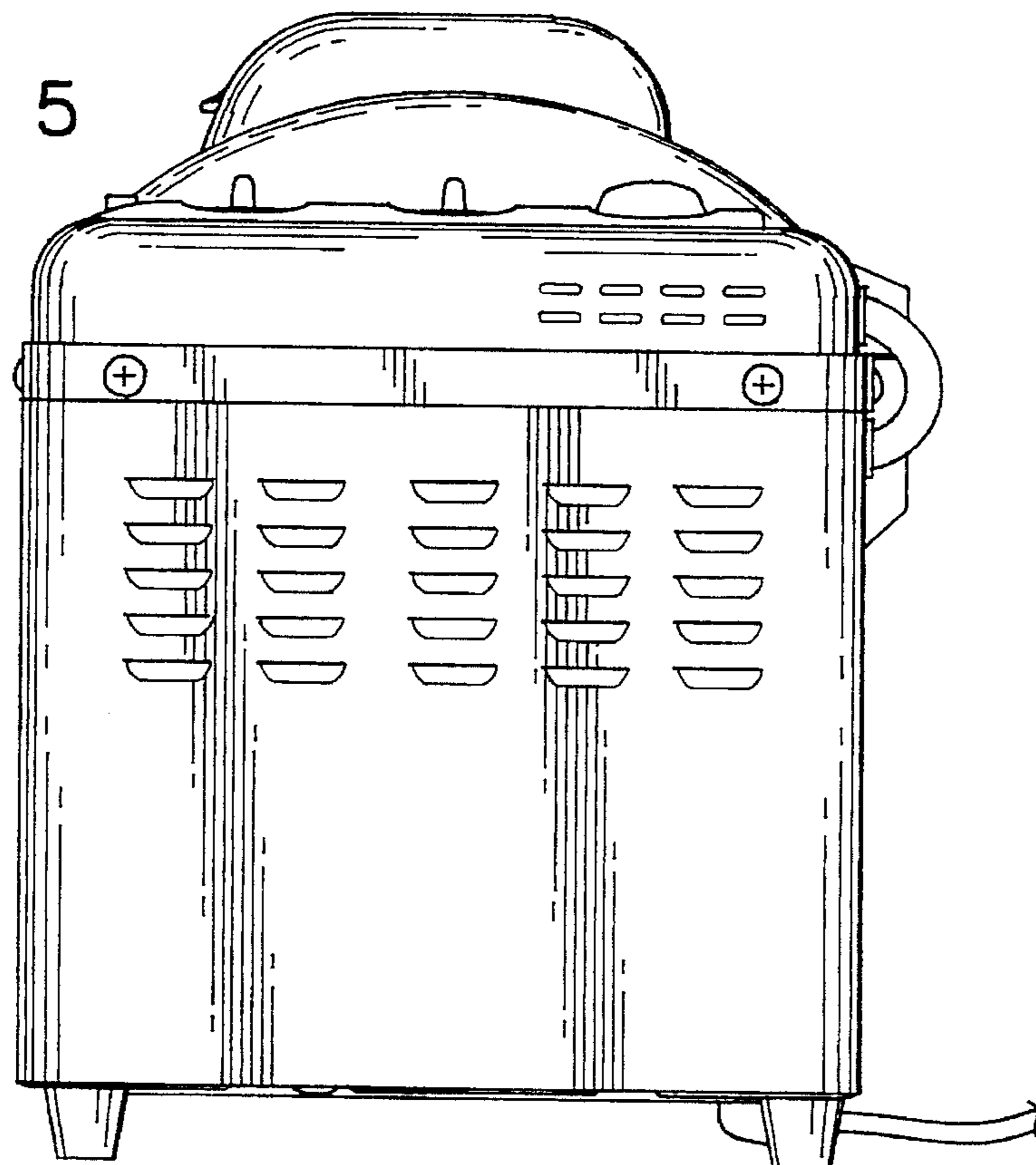


FIG. 6

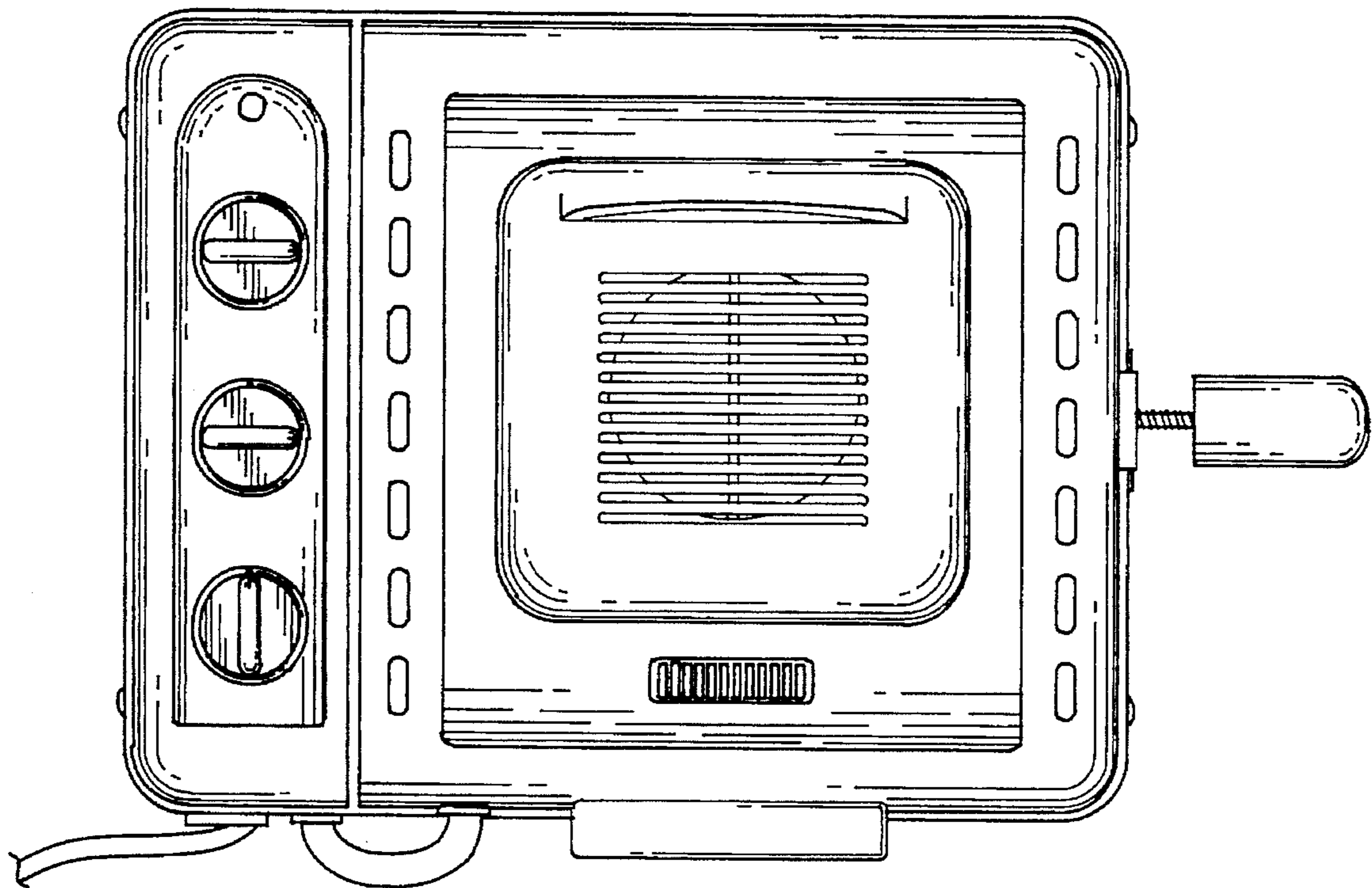


FIG. 7

