



US00D378480S

United States Patent [19]

[11] **Patent Number: Des. 378,480**

Doerner

[45] **Date of Patent: **Mar. 18, 1997**

[54] **LATERAL ADJUSTMENT MECHANISM FOR A CHAIR ARMREST SUPPORT**

D. 314,106 1/1991 Szadkowski D6/501
D. 318,589 7/1991 Szadkowski D6/501

[75] Inventor: **Frank Doerner**, Kitchener, Canada

Primary Examiner—Gary D. Watson
Attorney, Agent, or Firm—Wood, Herron & Evans, P.L.L.

[73] Assignee: **Doerner Products Ltd.**, Waterloo, Canada

[57] **CLAIM**

[**] Term: **14 Years**

The ornamental design for a lateral adjustment mechanism for a chair armrest support, as shown.

[21] Appl. No.: **31,834**

DESCRIPTION

[22] Filed: **Dec. 7, 1994**

[52] U.S. Cl. **D6/500; D6/501**

FIG. 1 is a top perspective view of the design; and, FIG. 2 is a bottom perspective view of the design.

[58] Field of Search D6/366, 500, 501, D6/502; 297/411.37

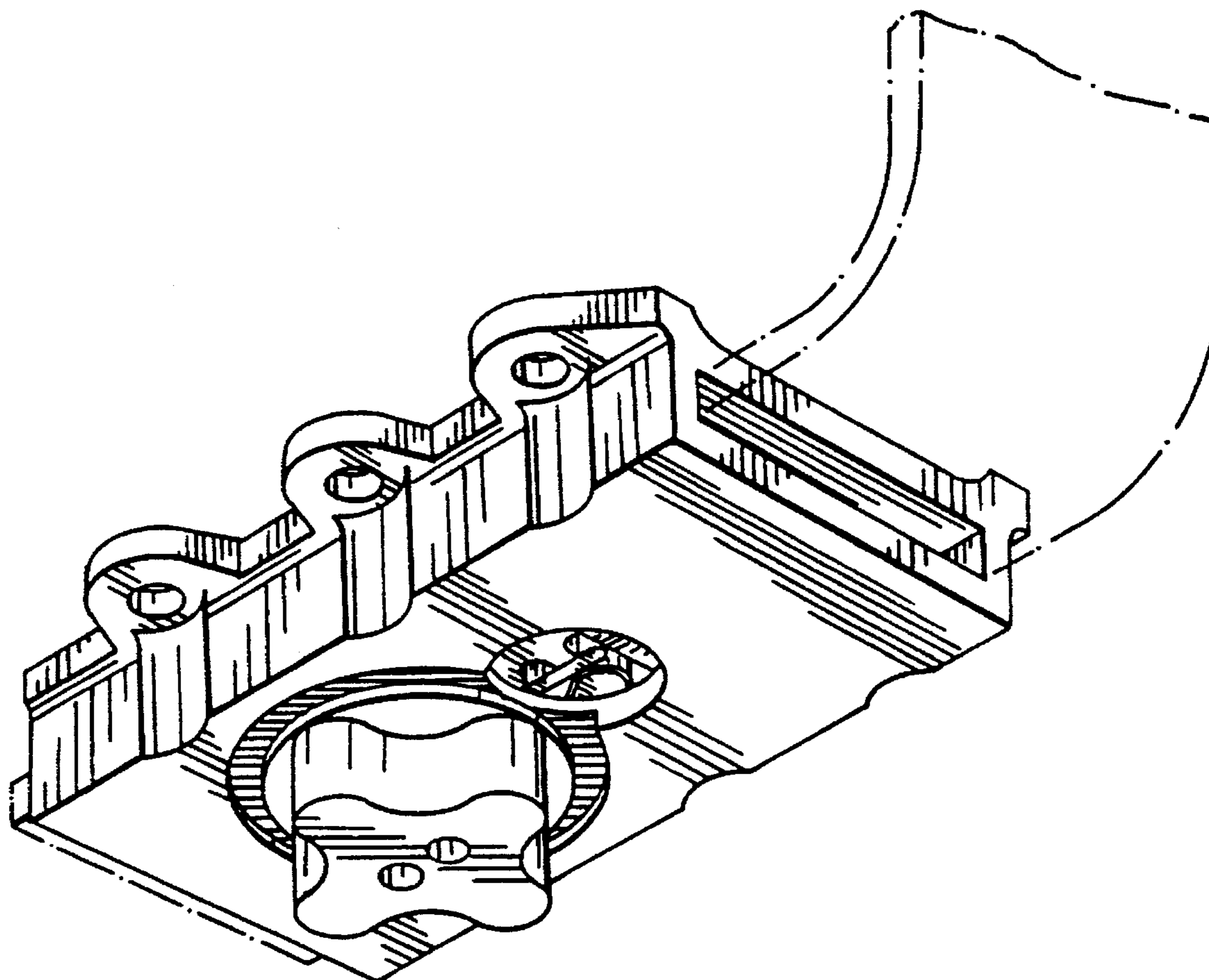
The broken line showing of an armrest support in each view is for environmental purposes only and forms no part of the claimed design.

[56] **References Cited**

U.S. PATENT DOCUMENTS

D. 250,501 12/1978 Pinaire et al. D6/500

1 Claim, 1 Drawing Sheet



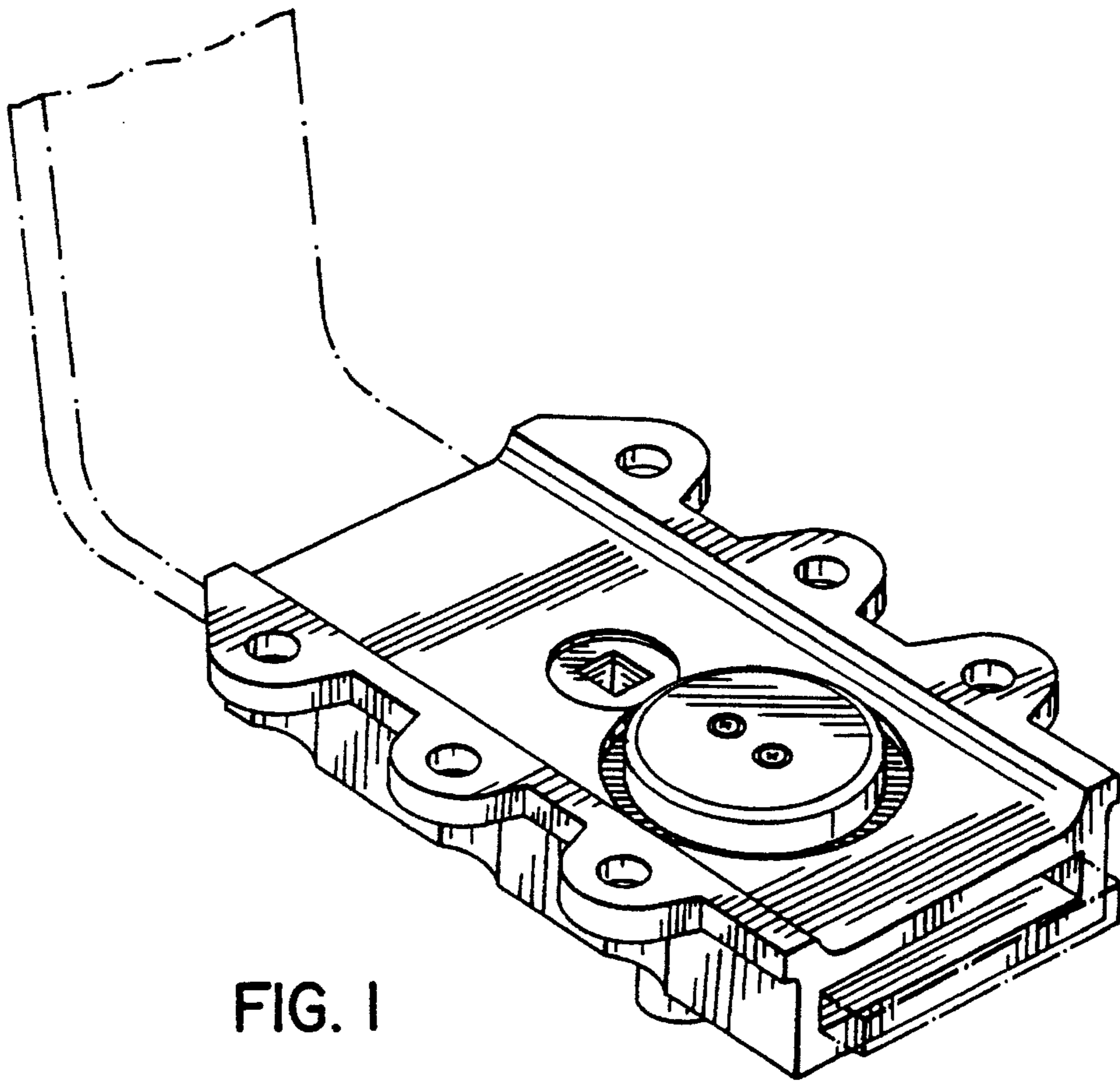


FIG. 1

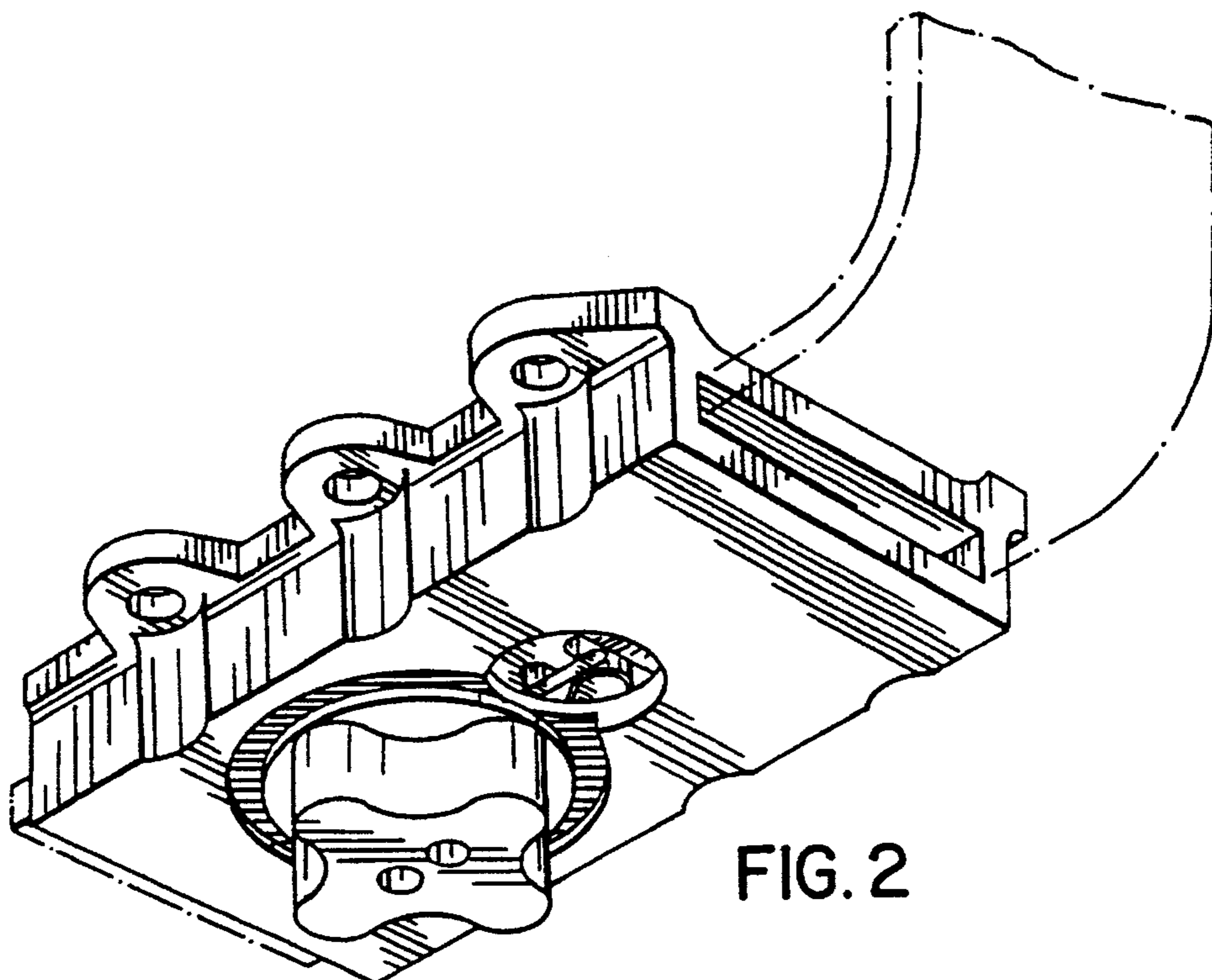


FIG. 2