



US00D378477S

United States Patent [19]
Sussman

[11] **Patent Number: Des. 378,477**

[45] **Date of Patent: **Mar. 18, 1997**

[54] **LAP TRAY**

[76] **Inventor: Sy Sussman, 435 Promontory Dr. West,
Newport Beach, Calif. 92660**

[**] **Term: 14 Years**

[21] **Appl. No.: 46,728**

[22] **Filed: Oct. 30, 1995**

[52] **U.S. Cl. D6/406; D7/553; D7/555**

[58] **Field of Search D7/500, 505, 507,
D7/701, 538, 540, 541, 545, 546, 547,
549, 550, 552, 553, 554, 555, 557, 566,
601, 602, 698, 620, 619, 610, 603; D6/406,
419, 511, 339, 420; D19/35, 52, 88, 92;
D12/415, 416; 220/575, 17.1, 23.8; D3/271**

[56] **References Cited**

U.S. PATENT DOCUMENTS

D. 257,914	1/1981	Wooters	D7/553 X
D. 268,072	3/1983	Boggs	D7/553 X
D. 274,488	7/1984	Howitt	D6/406
D. 288,163	2/1987	Ritman	D7/545
D. 293,163	12/1987	Roth	D7/554 X

D. 315,628	3/1991	Newarski	D3/271
D. 326,962	6/1992	Mowry et al.	D7/554 X
D. 359,862	7/1995	Rowsch	D6/406
D. 363,857	11/1995	Sussman	D7/553
3,164,110	1/1965	Bofinger	D7/550 X
4,732,274	3/1988	Bouton	220/23.8 X

Primary Examiner—M. N. Pandozzi
Attorney, Agent, or Firm—Hawes, Fischer & Dickinson

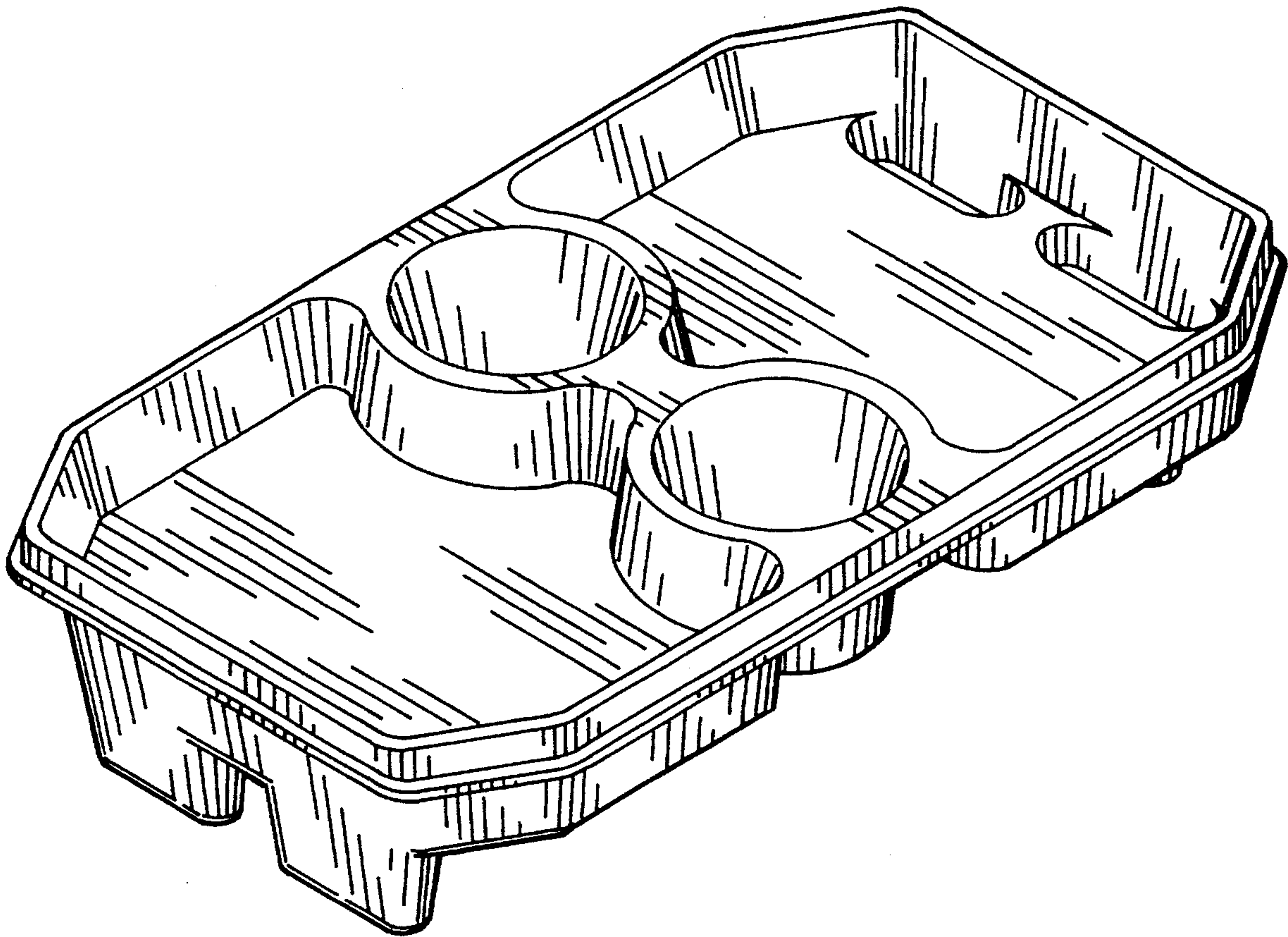
[57] **CLAIM**

The ornamental design for a lap tray, as shown and described.

DESCRIPTION

FIG. 1 is a top, front, and right side perspective view of a lap tray showing my new design;
FIG. 2 is a right side elevational view thereof;
FIG. 3 is a left side elevational view thereof;
FIG. 4 is a top plan view thereof;
FIG. 5 is a bottom plan view thereof;
FIG. 6 is a front elevational view thereof; and,
FIG. 7 is a rear elevational view thereof.

1 Claim, 3 Drawing Sheets



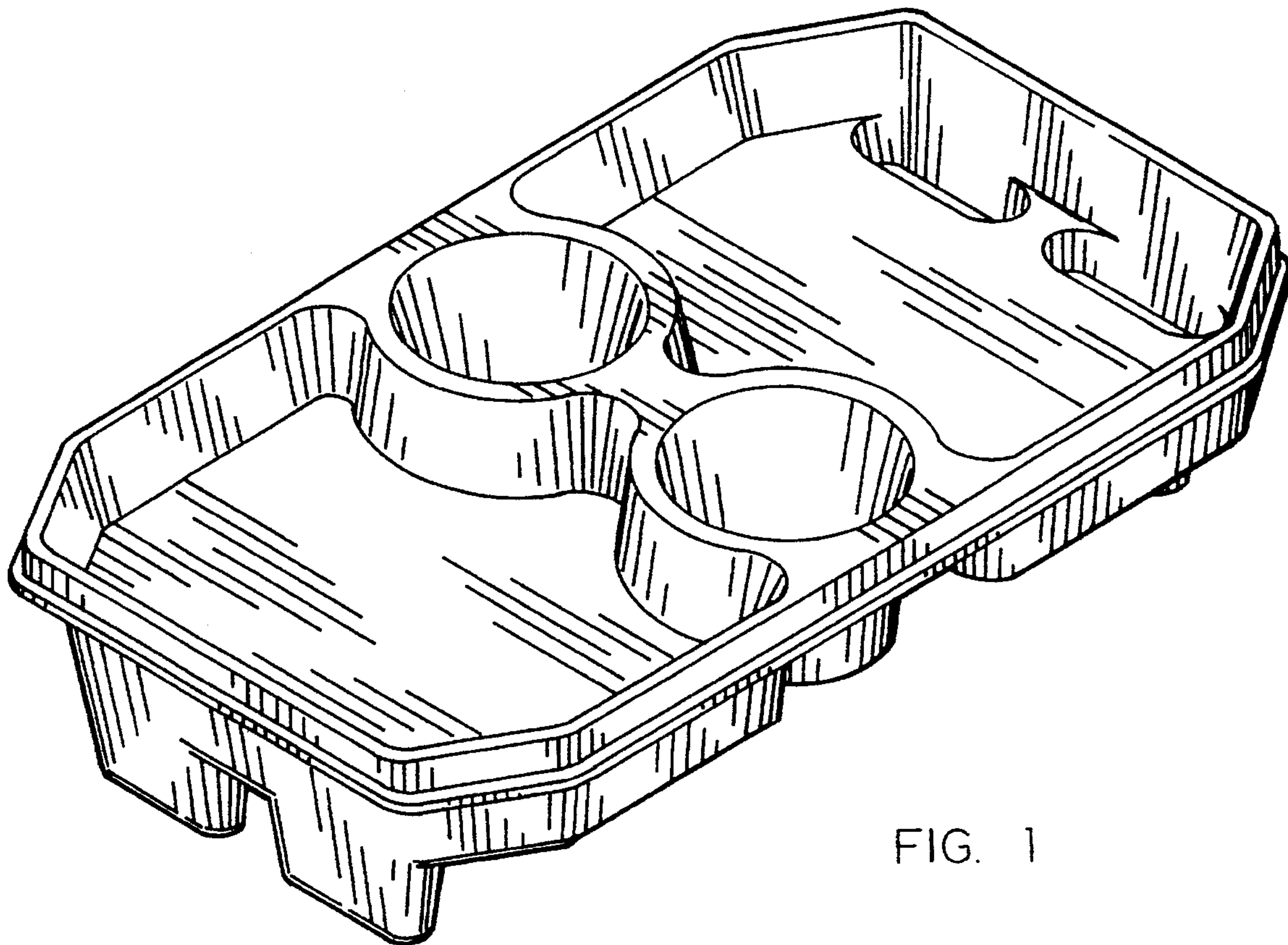


FIG. 1

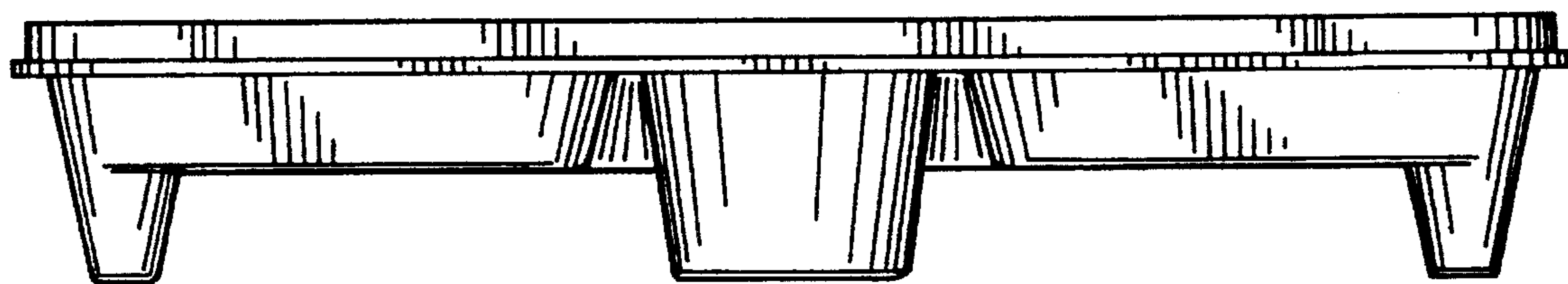


FIG. 2

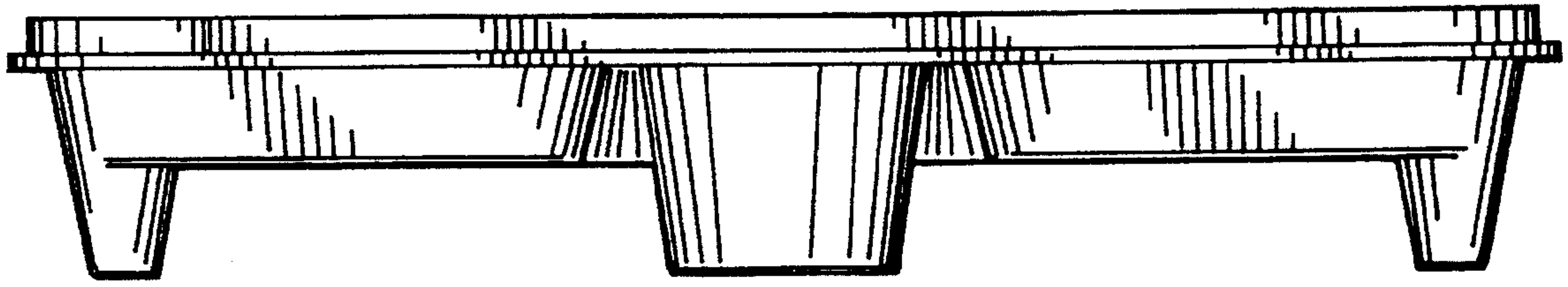


FIG. 3

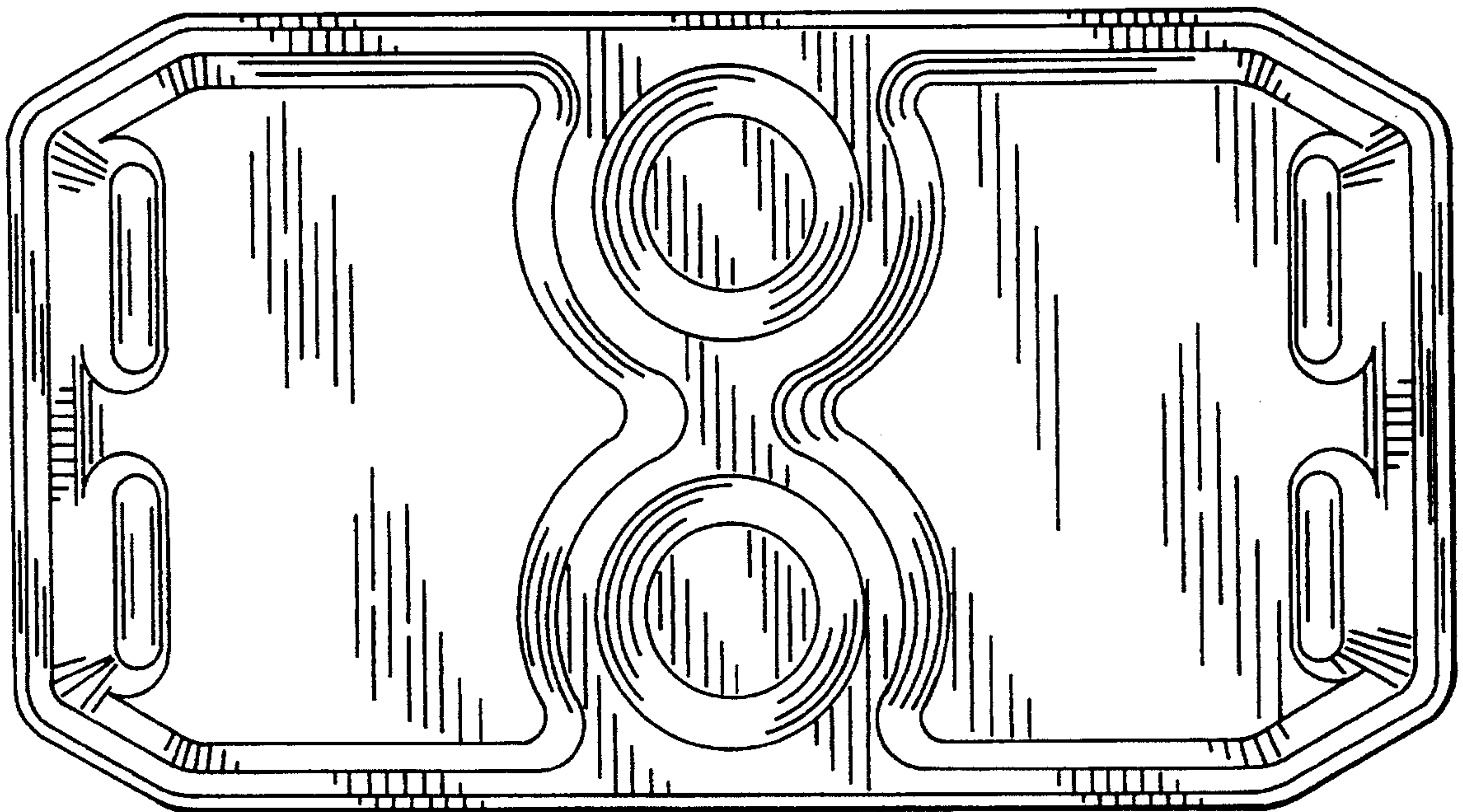


FIG. 4

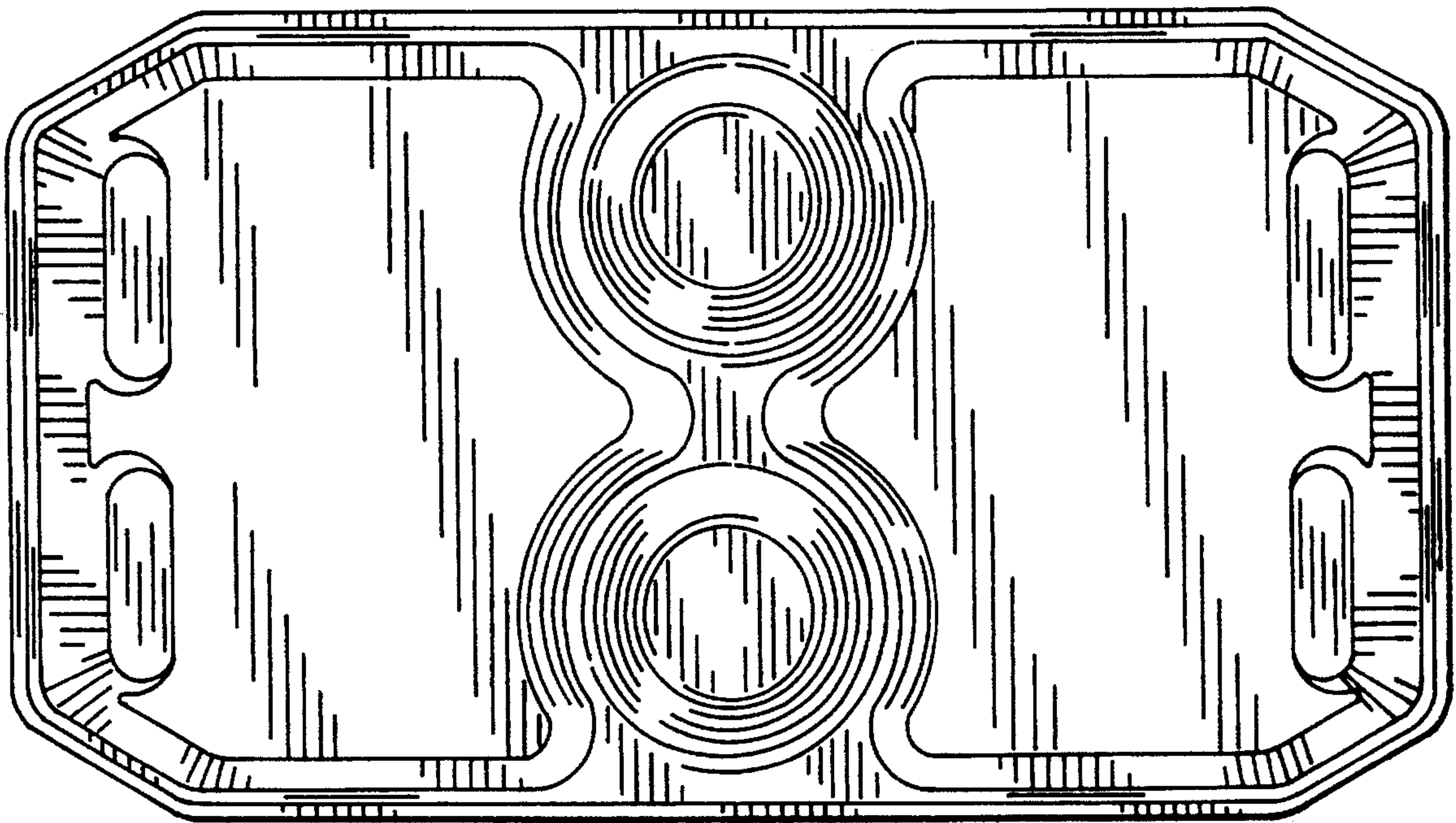


FIG. 5

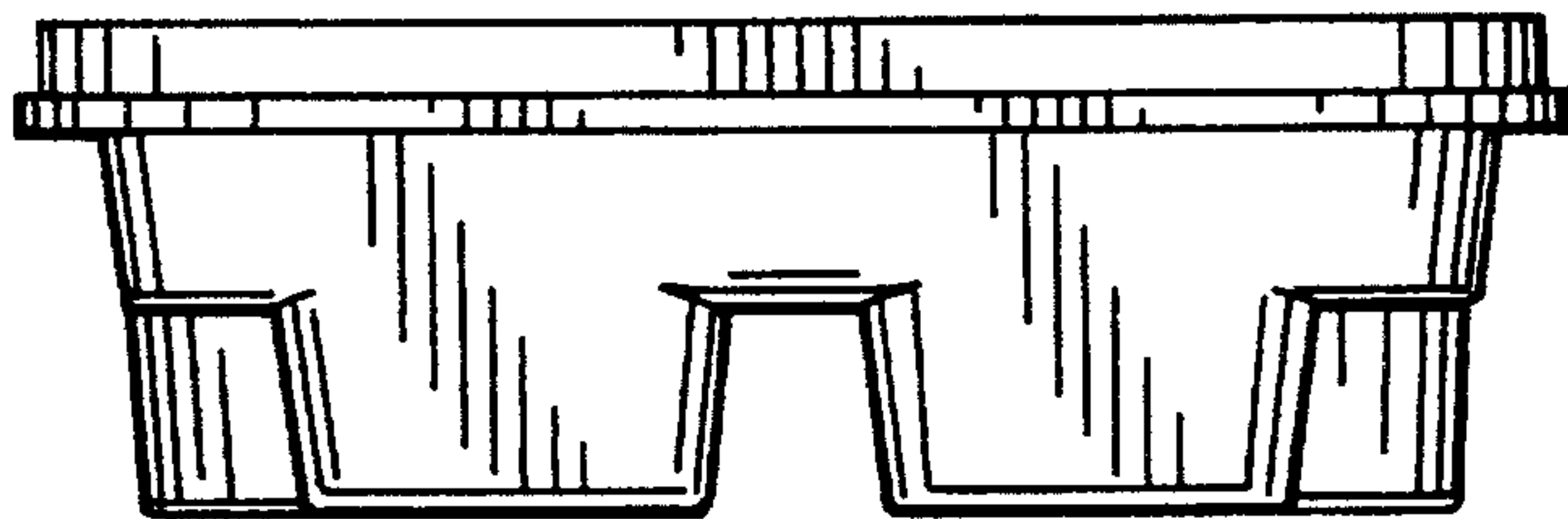


FIG. 6

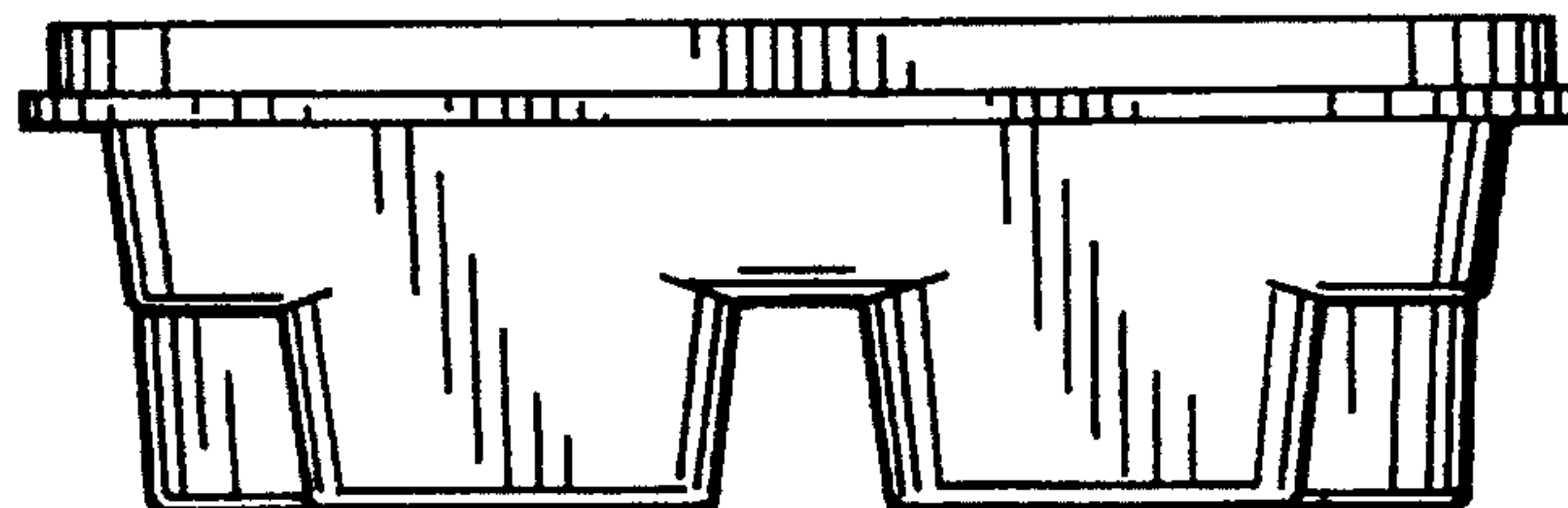


FIG. 7