



US00D378475S

United States Patent [19]

Brown

[11] **Patent Number: Des. 378,475**

[45] **Date of Patent: **Mar. 18, 1997**

[54] **BELT HANGER**

227004 1/1925 United Kingdom 211/113

[76] Inventor: **Judy D. Brown**, 2055 Turner Rd.,
Reidsville, N.C. 27320

Primary Examiner—B. J. Bullock

[**] Term: **14 Years**

[57] **CLAIM**

The ornamental design for a belt hanger, as shown and described.

[21] Appl. No.: **54,309**

DESCRIPTION

[22] Filed: **May 10, 1996**

[52] U.S. Cl. **D6/317; D6/315**

[58] Field of Search **D6/315, 317, 513;**
211/113, 119; 223/85, DIG. 1

FIG. 1 is a front top perspective view of a belt hanger embodying my design;

FIG. 2 is a left side elevational view thereof;

FIG. 3 is a front end view of the belt hanger as shown in FIG. 1;

FIG. 4 is a rear end view of the belt hanger as shown in FIG. 1;

FIG. 5 is a top plan view of the belt hanger as shown in FIG. 1; and,

FIG. 6 is a bottom plan view of the belt hanger as shown in FIG. 1.

[56] **References Cited**

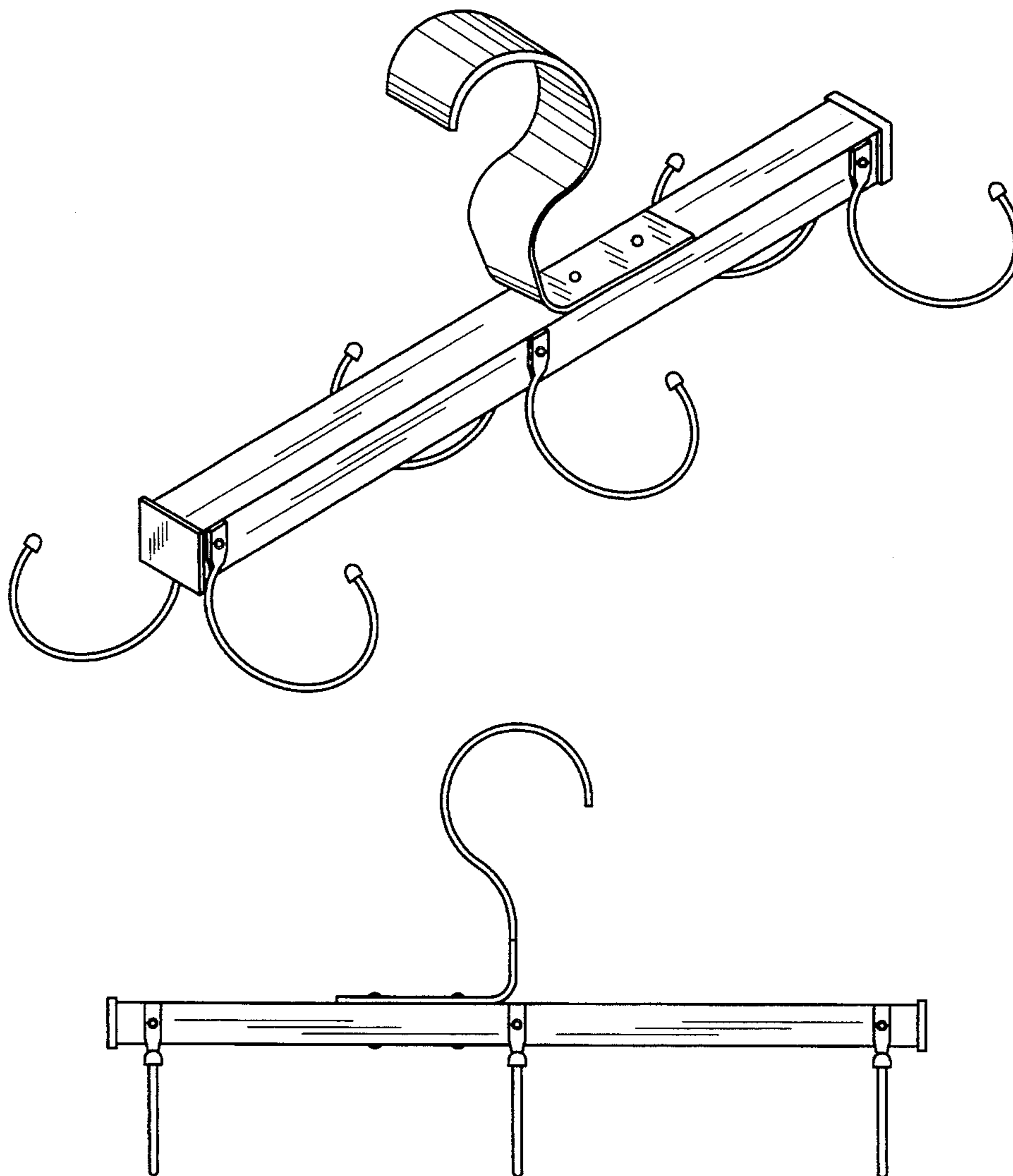
U.S. PATENT DOCUMENTS

D. 275,437	9/1984	Mize	D6/315
1,815,673	7/1931	Kelley	211/119
4,428,486	1/1984	Collins	211/119
4,863,043	9/1989	Bowen	223/DIG. 1

FOREIGN PATENT DOCUMENTS

1067730	6/1954	France	211/113
---------	--------	--------	-------	---------

1 Claim, 3 Drawing Sheets



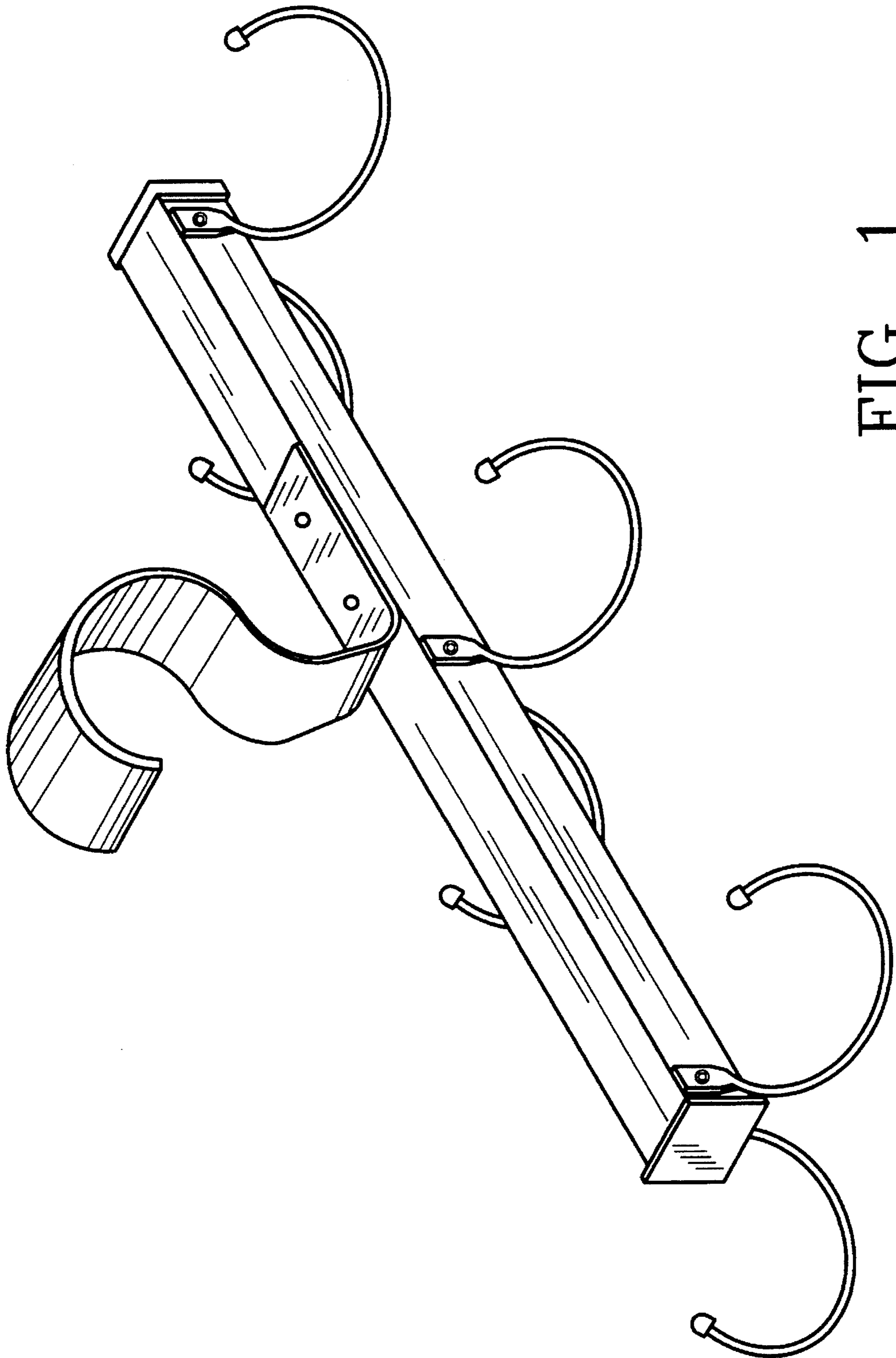


FIG. 1

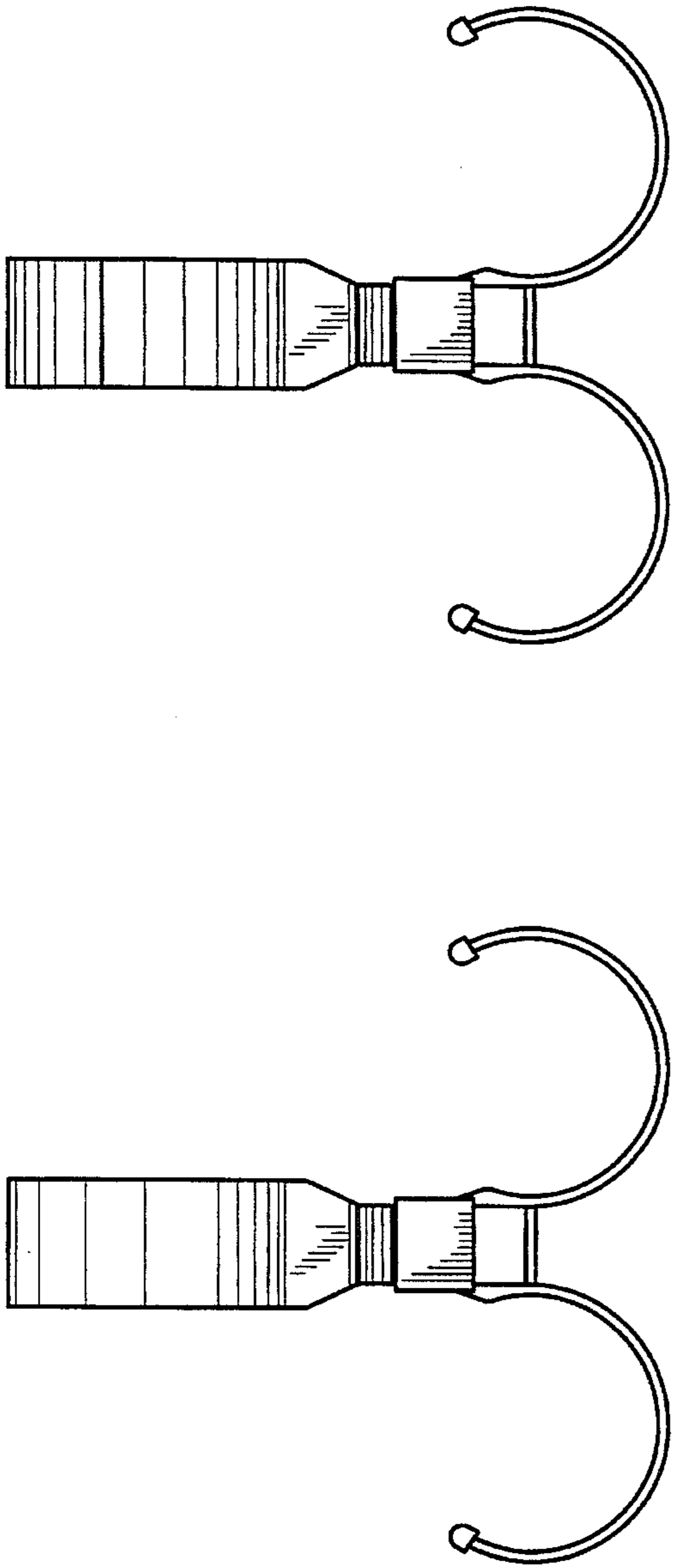


FIG. 3

FIG. 4

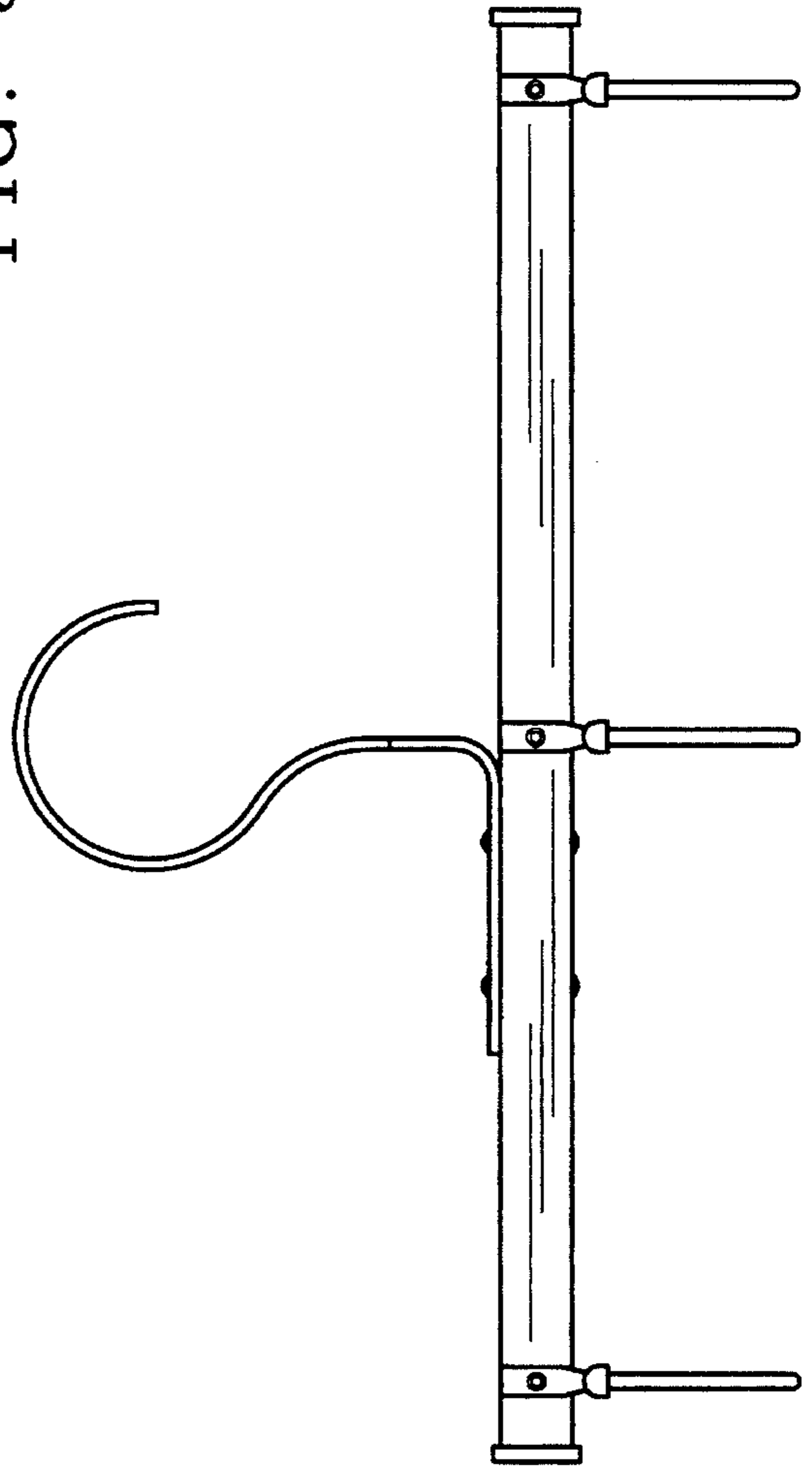


FIG. 2

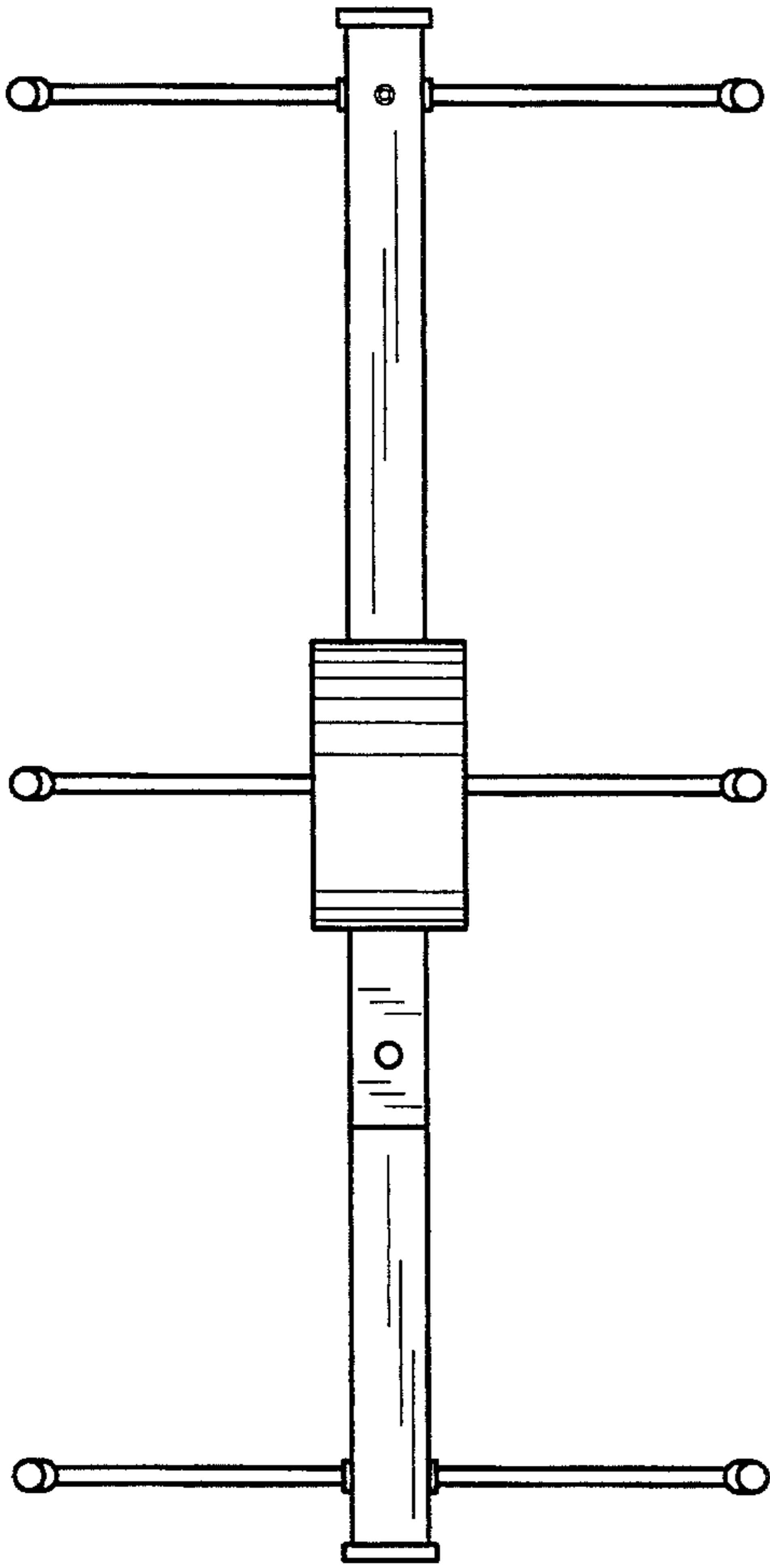


FIG. 5

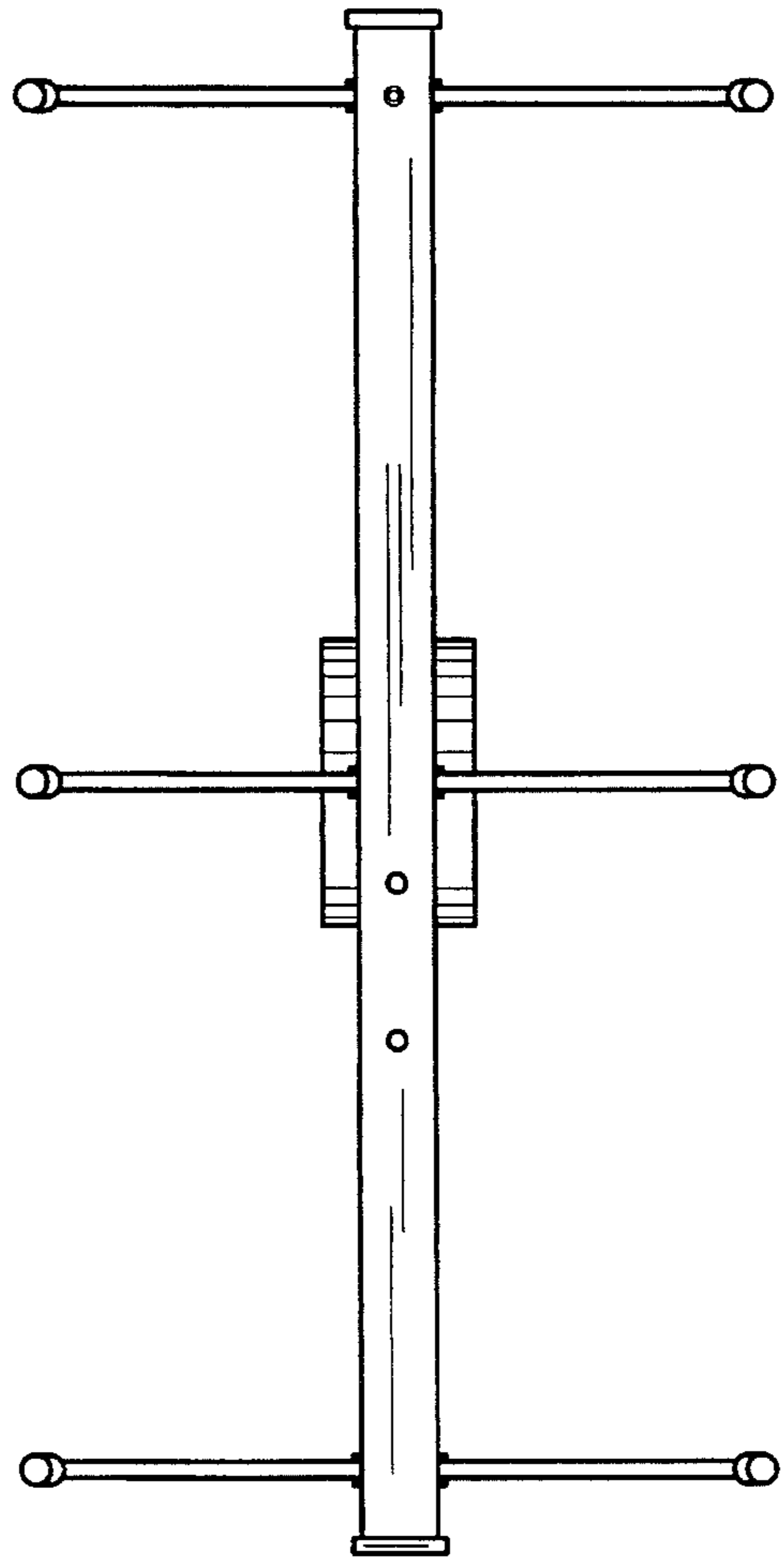


FIG. 6