



US00D378462S

United States Patent [19]

[11] Patent Number: **Des. 378,462**

Erwin et al.

[45] Date of Patent: ****Mar. 11, 1997**

[54] MAILBOX POST WITH SUPPORT ARM

[75] Inventors: **Ronald D. Erwin**, Peachtree City;
Marvin R. Whitley, Norcross, both of Ga.

[73] Assignee: **Erwin Industries, Inc.**, Peachtree City, Ga.

[**] Term: **14 Years**

[21] Appl. No.: **43,333**

[22] Filed: **Sep. 1, 1995**

[52] U.S. Cl. **D99/32**

[58] Field of Search D99/28-33; D26/67;
52/300, 301; 232/17, 19, 38, 39; 248/511,
519, 530, 533, 534, 900, 127, 128, 156,
121, 146; D20/10, 17, 41; 40/606, 607;
D25/126

[56] **References Cited**

U.S. PATENT DOCUMENTS

D. 70,163	5/1926	Dobbins .	
D. 172,997	9/1954	Stallings .	
D. 197,683	3/1964	Kusel	D74/9
D. 199,107	9/1964	Kusel	D74/9
D. 200,748	3/1965	Taylor	D74/9
D. 254,755	4/1980	Mortensen et al.	D99/32
D. 291,937	9/1987	Fisher	D99/30
D. 338,762	8/1993	Nichols	D99/32
D. 344,272	3/1993	Gaines	D99/32
3,957,250	5/1976	Murphy	256/19
4,540,160	9/1985	Zanavich et al.	256/19

4,602,765	7/1986	Loper et al.	256/19
4,709,853	12/1987	Hahn	232/39
5,022,618	6/1991	Barrett et al.	248/156 X
5,065,975	11/1991	Giles	248/146 X
5,078,367	1/1992	Simpson et al.	256/24
5,215,290	6/1993	Khalessi	256/19
5,421,556	6/1995	Dodge et al.	256/1
5,437,409	8/1995	Coushaine	232/39 X
5,445,086	8/1995	Bolduc	248/900 X
5,458,428	10/1995	West	248/146 X

Primary Examiner—B. J. Bullock
Assistant Examiner—S. Snapp
Attorney, Agent, or Firm—Arthur A. Gardner

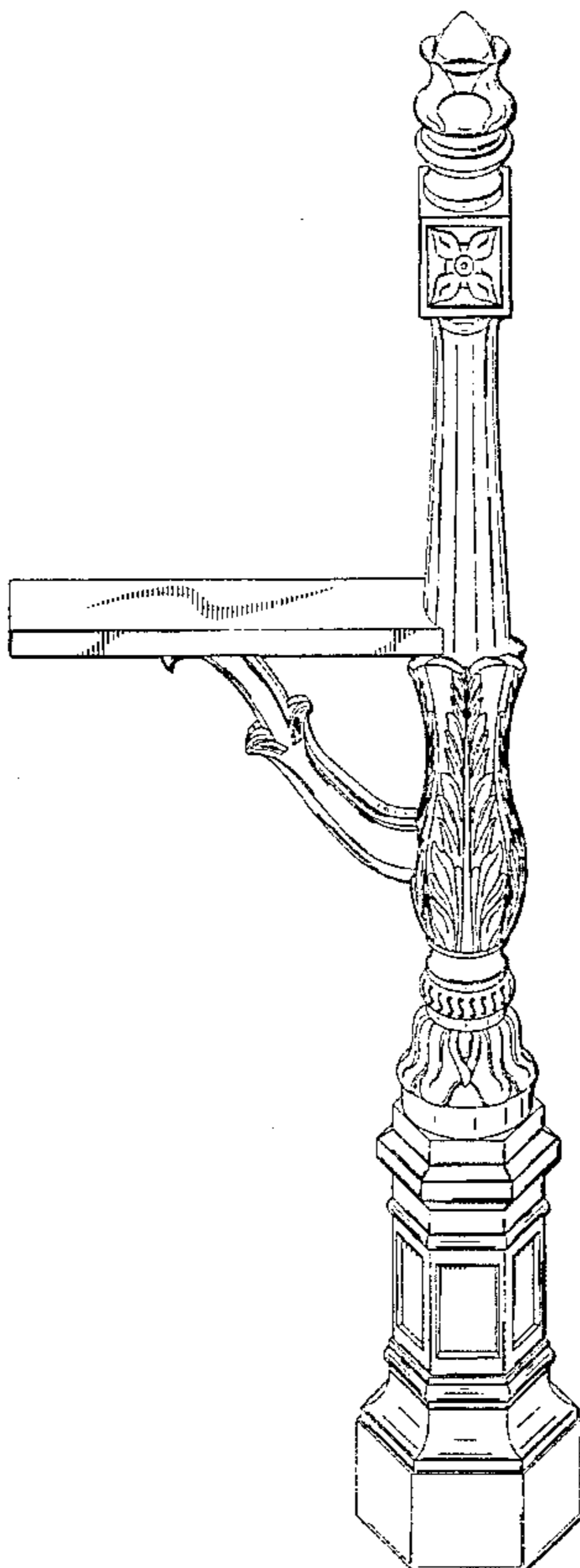
[57] **CLAIM**

The ornamental design for the mailbox post with support arm, as shown and described.

DESCRIPTION

FIG. 1 is a perspective view of the mailbox post with support arm according to a preferred embodiment;
FIG. 2 is a front elevation of the mailbox post with support arm shown in FIG. 1;
FIG. 3 is a right side elevational view of the mailbox post with support arm shown in FIG. 1, the left side being a mirror image thereof;
FIG. 4 is a rear elevation of the mailbox post with support arm shown in FIG. 1;
FIG. 5 is a top view of the mailbox post with support arm shown in FIG. 1; and,
FIG. 6 is a bottom view of the mailbox post with support arm shown in FIG. 1.

1 Claim, 3 Drawing Sheets



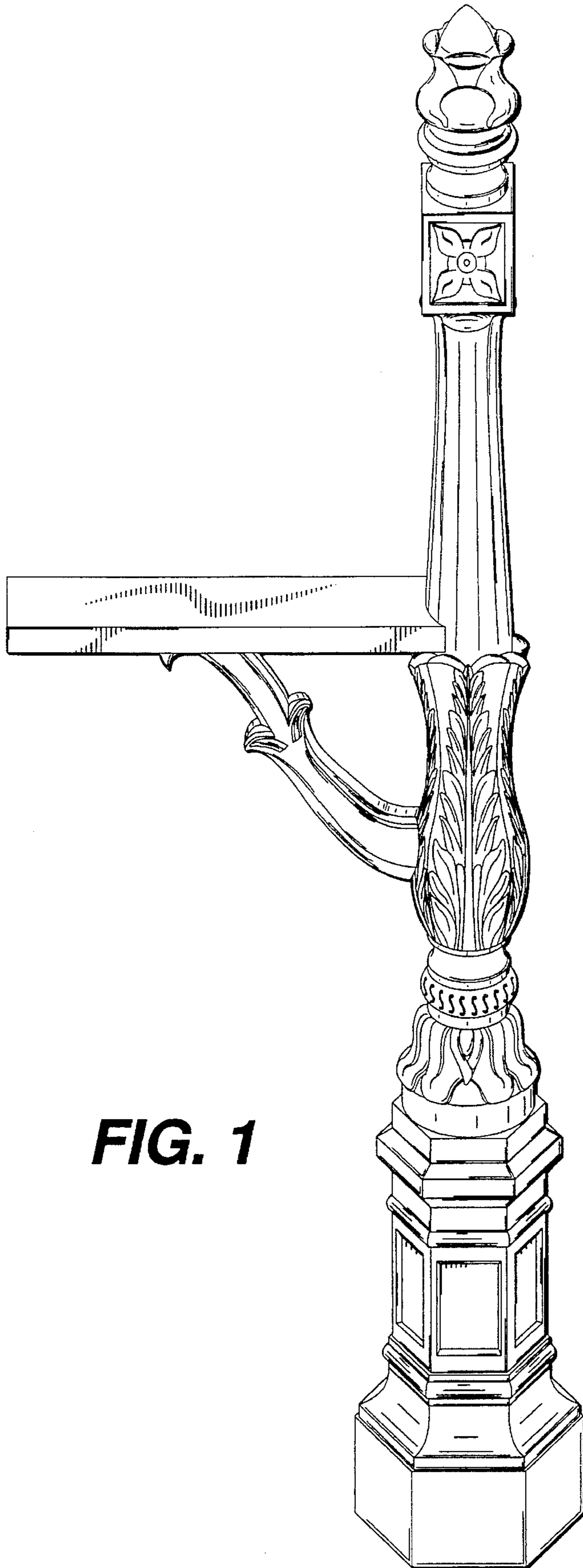


FIG. 1

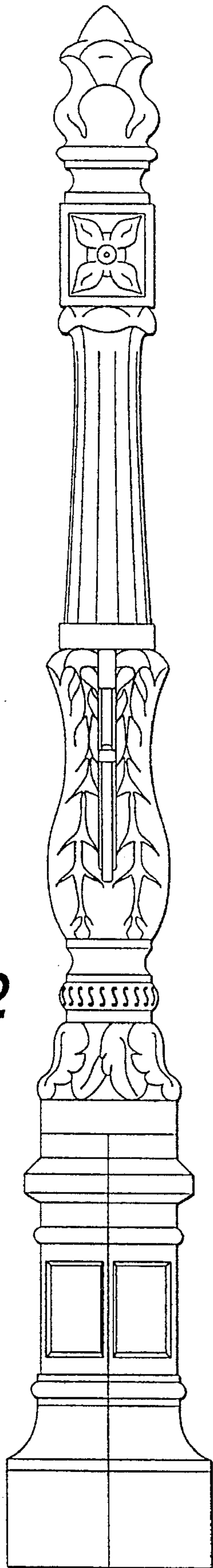


FIG. 2

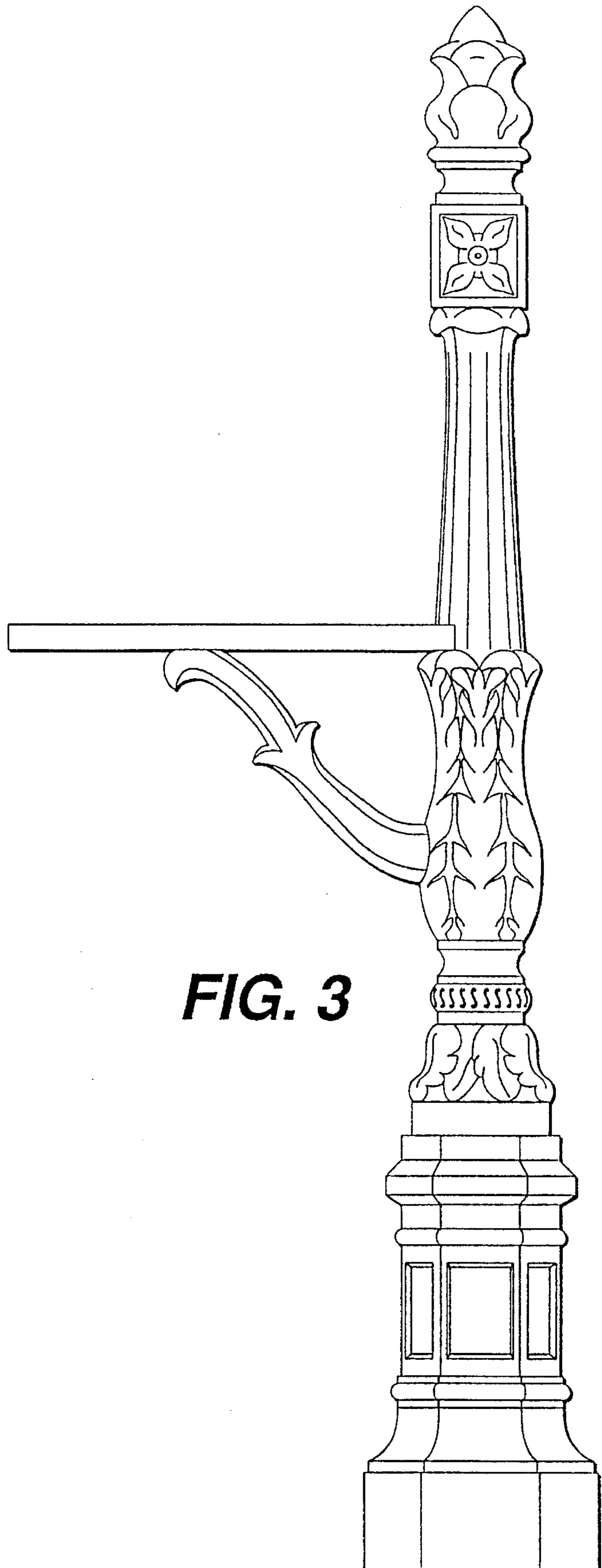


FIG. 3

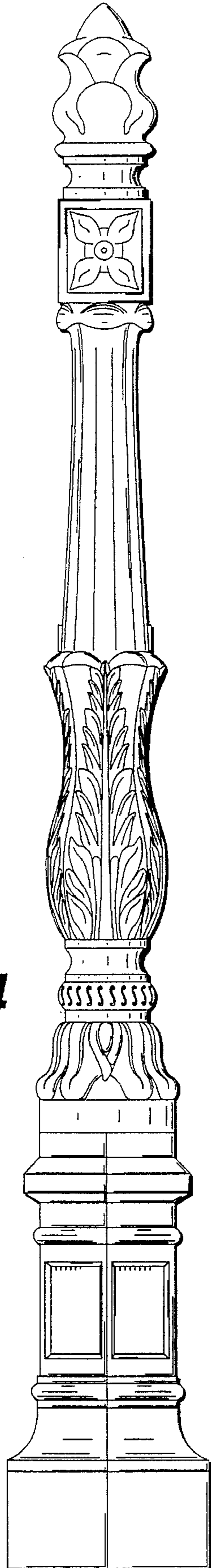


FIG. 4

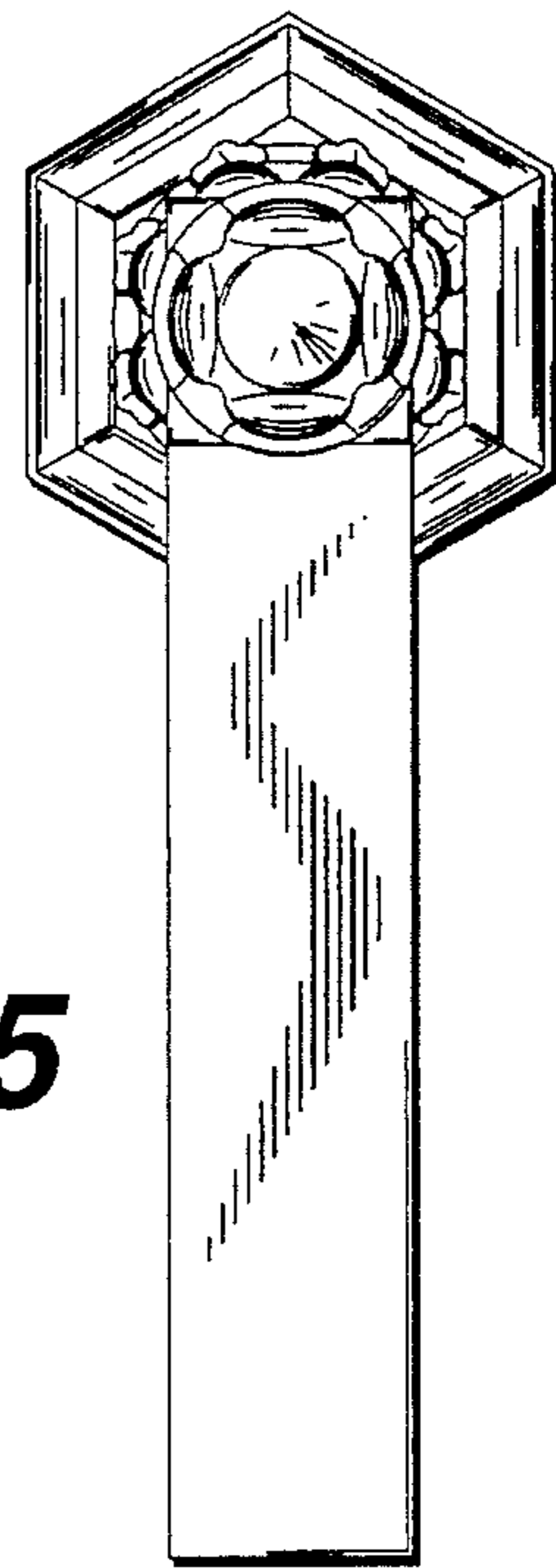


FIG. 5

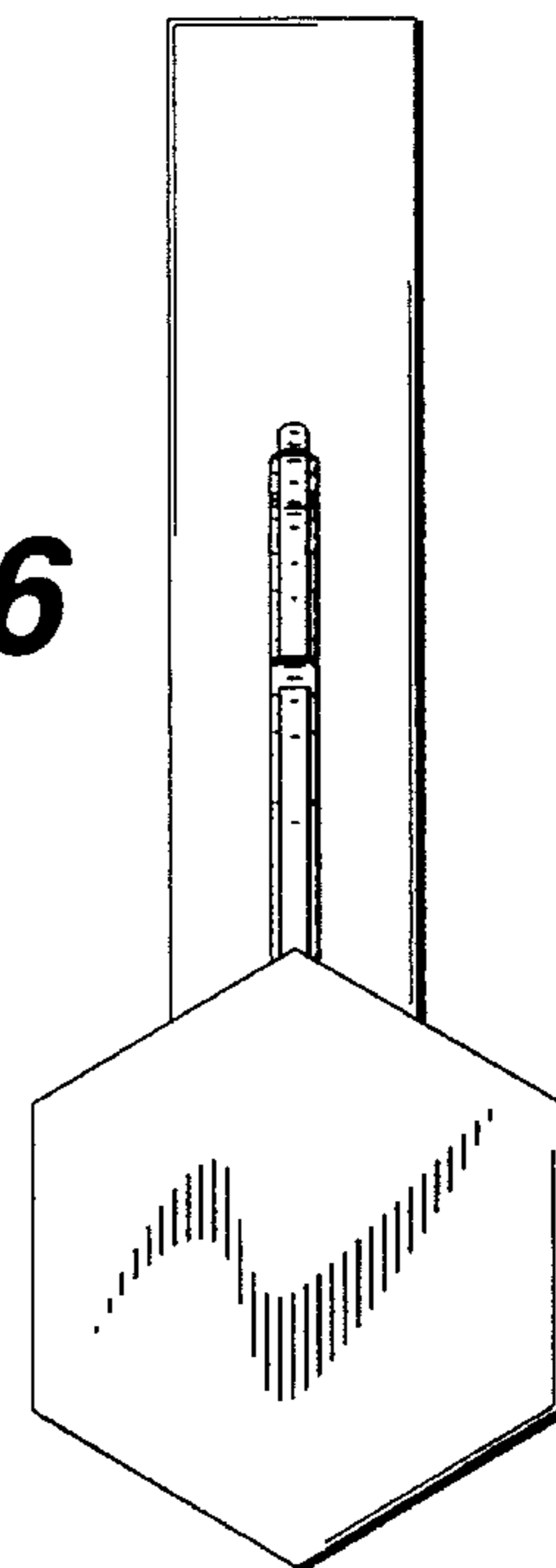


FIG. 6