



US00D378459S

United States Patent [19]

[11] Patent Number: **Des. 378,459**

Hansen

[45] Date of Patent: ****Mar. 11, 1997**

[54] **COMBINED MATERIAL SUPPORT AND LIFTING BLOCK**

2,738,564	3/1956	Guinane	D34/38 X
3,380,403	4/1968	Sullivan	108/51.1
4,597,338	7/1986	Kreeger	108/57.1 X
5,351,628	10/1994	Breezer	108/51.1 X

[75] Inventor: **James Hansen**, Bakersfield, Calif.

Primary Examiner—Kelly H. Baynham
Attorney, Agent, or Firm—David O'Reilly

[73] Assignee: **Robert Miller**, Bakersfield, Calif.; a part interest

[**] Term: **14 Years**

[57] **CLAIM**

[21] Appl. No.: **41,410**

The ornamental design for a combined material support and lifting block, as shown and described.

[22] Filed: **Jul. 13, 1995**

DESCRIPTION

[52] U.S. Cl. **D34/38**

[58] Field of Search D8/349, 354; D34/35, D34/38; 248/229, 346.2, 188.1; 108/51.1, 52.1, 53.1, 55.3, 57.1

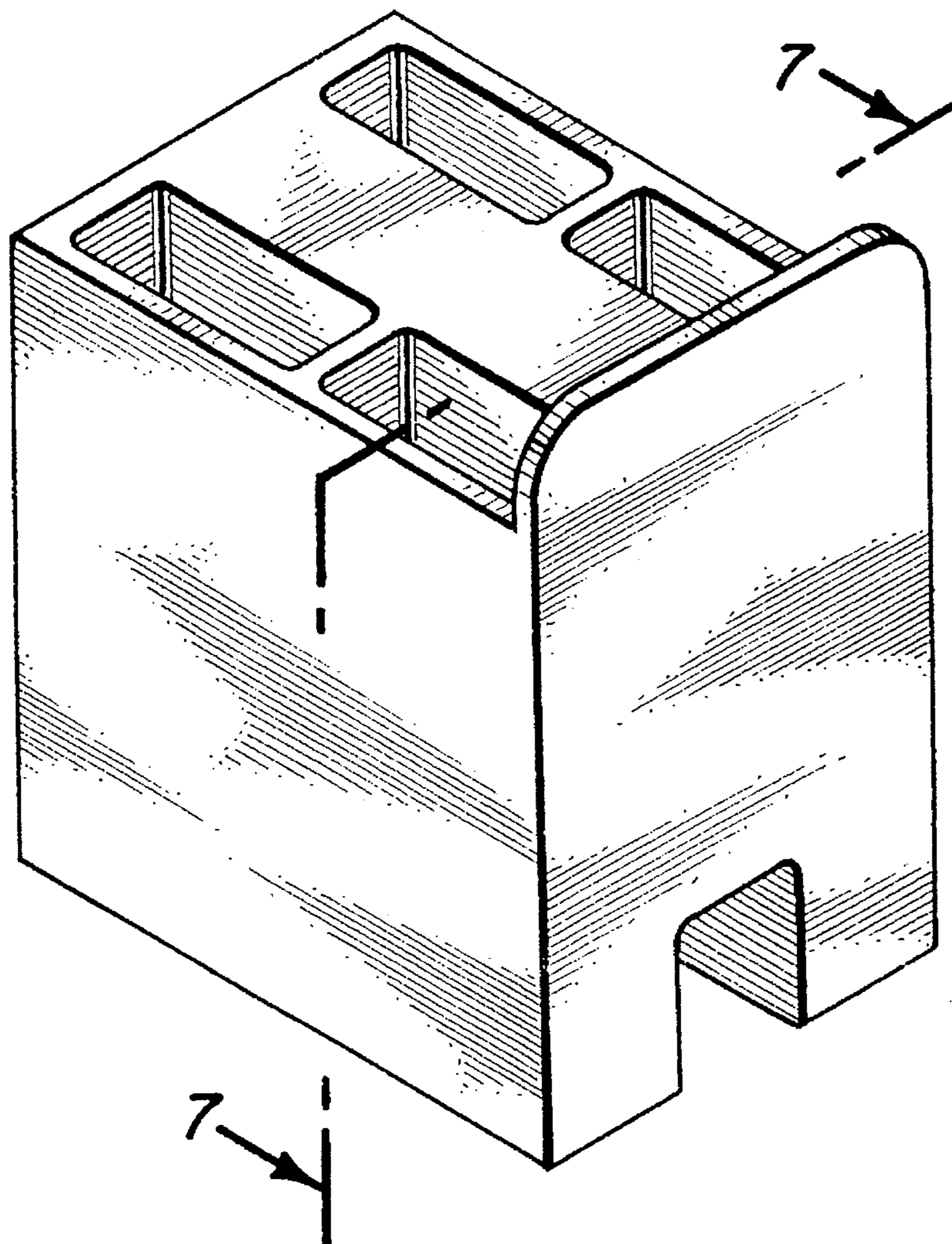
FIG. 1 is a perspective view of a combined material support and lifting block constructed according to the invention; FIG. 2 is a rear view thereof; FIG. 3 is a left side view thereof, the opposite side being a mirror image; FIG. 4 is a front view thereof; FIG. 5 is a top view thereof; FIG. 6 is a bottom view thereof; and, FIG. 7 is a section view taken at 7—7 of FIG. 1.

[56] **References Cited**

U.S. PATENT DOCUMENTS

D. 291,277	8/1987	Hawkins et al.	D8/373 X
D. 319,003	8/1991	Scharrenberg, Jr.	D8/373
D. 354,773	1/1995	Koves	D8/382 X
D. 359,438	6/1995	Graham	D8/354

1 Claim, 1 Drawing Sheet



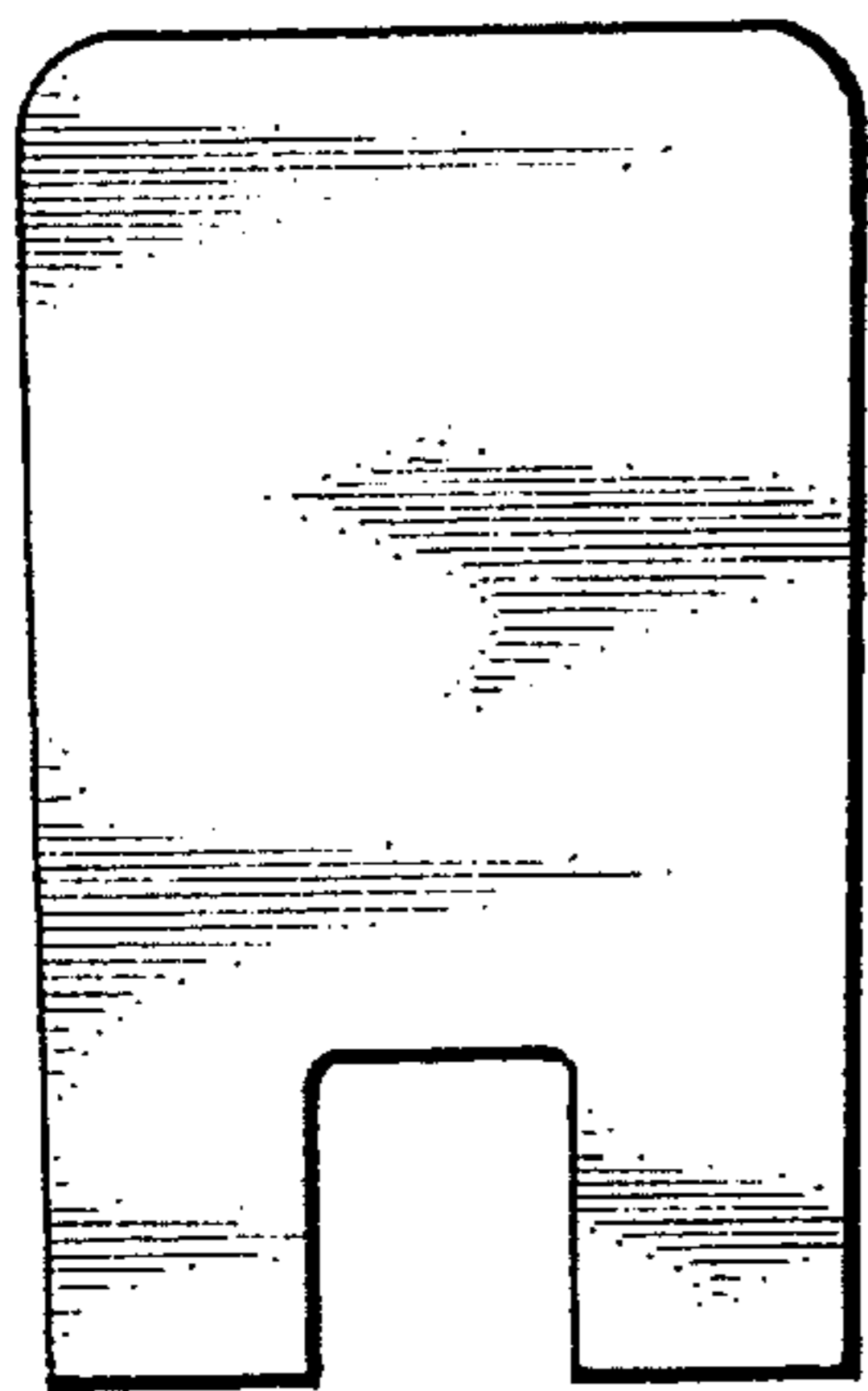
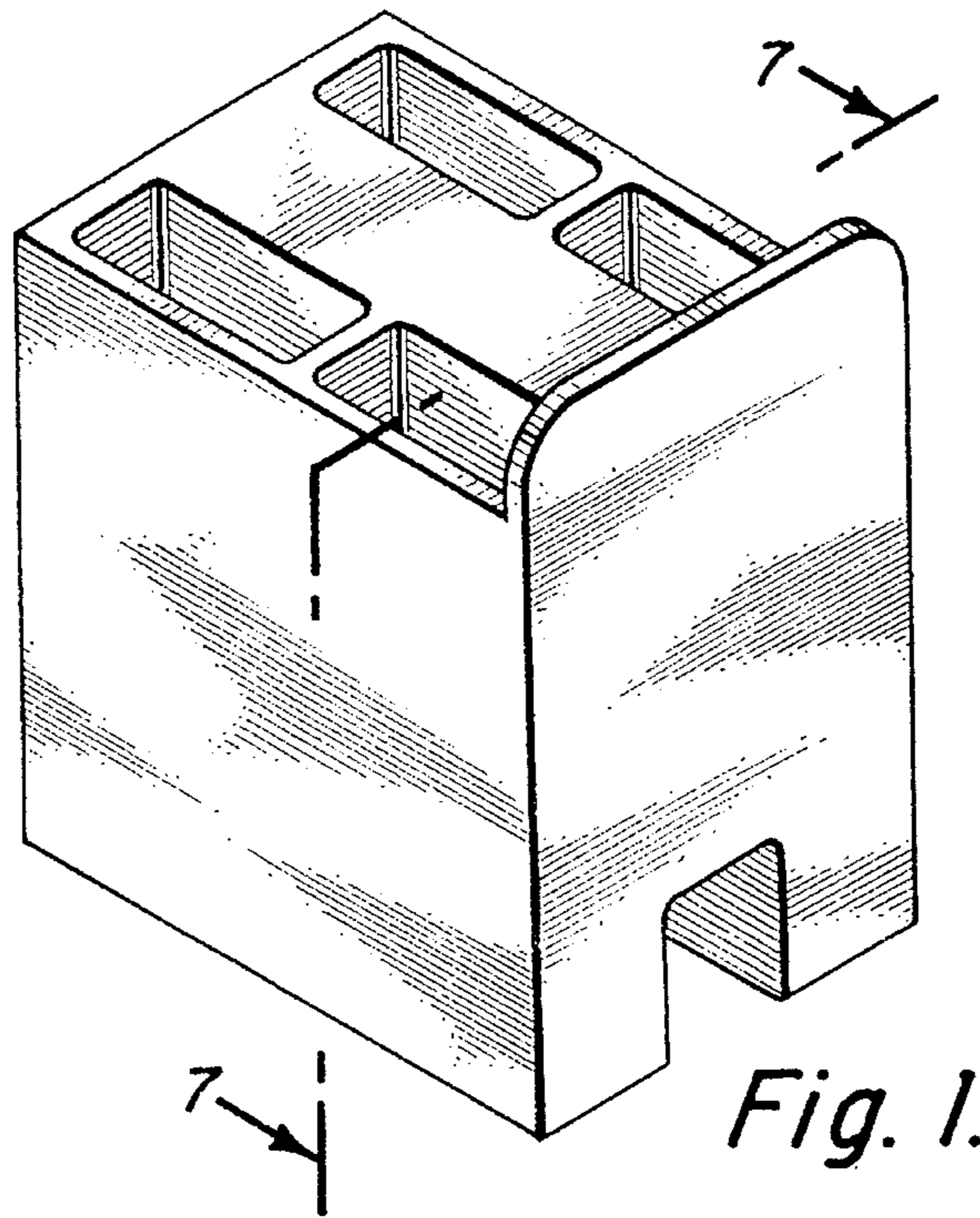


Fig. 2.

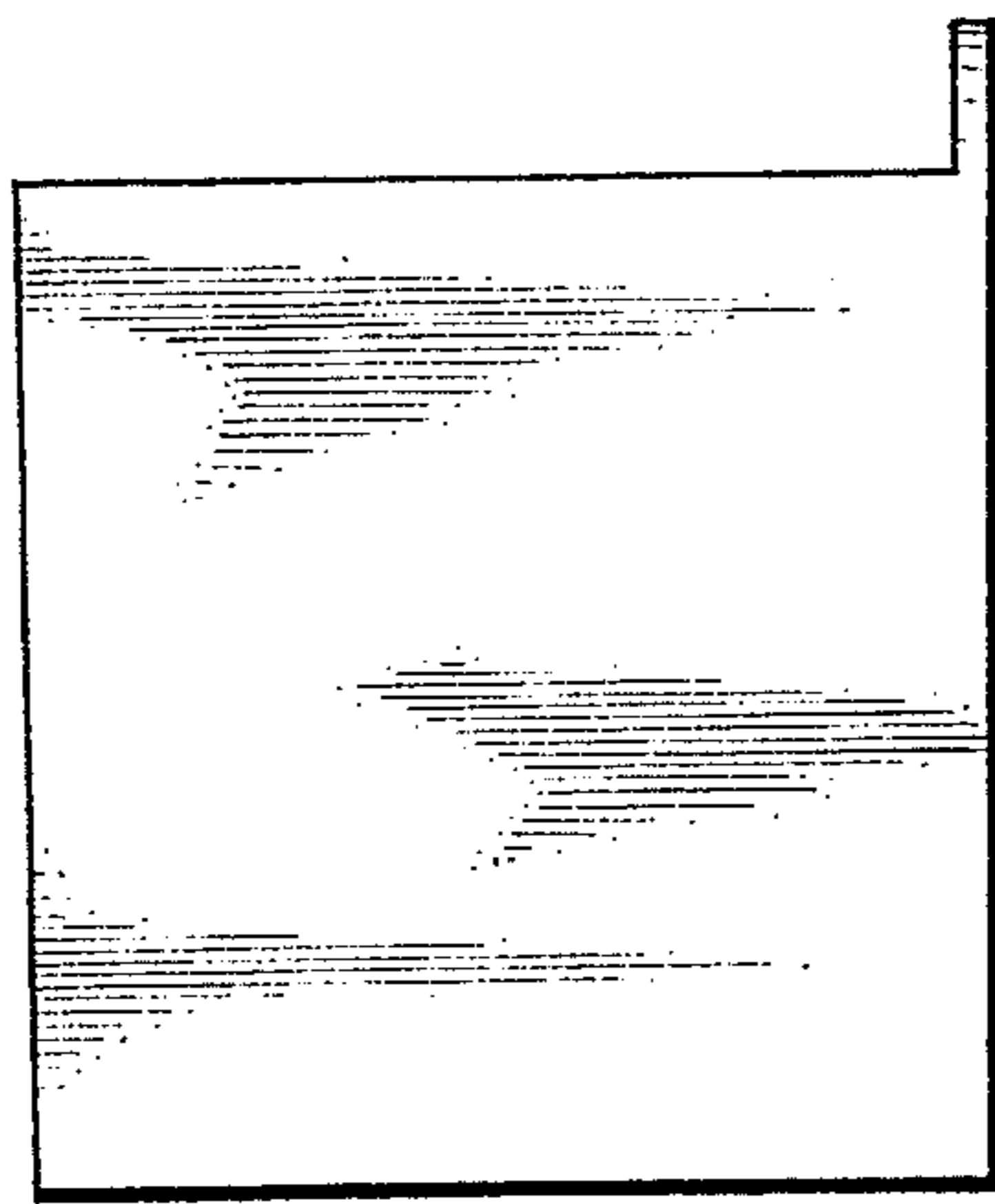


Fig. 3.

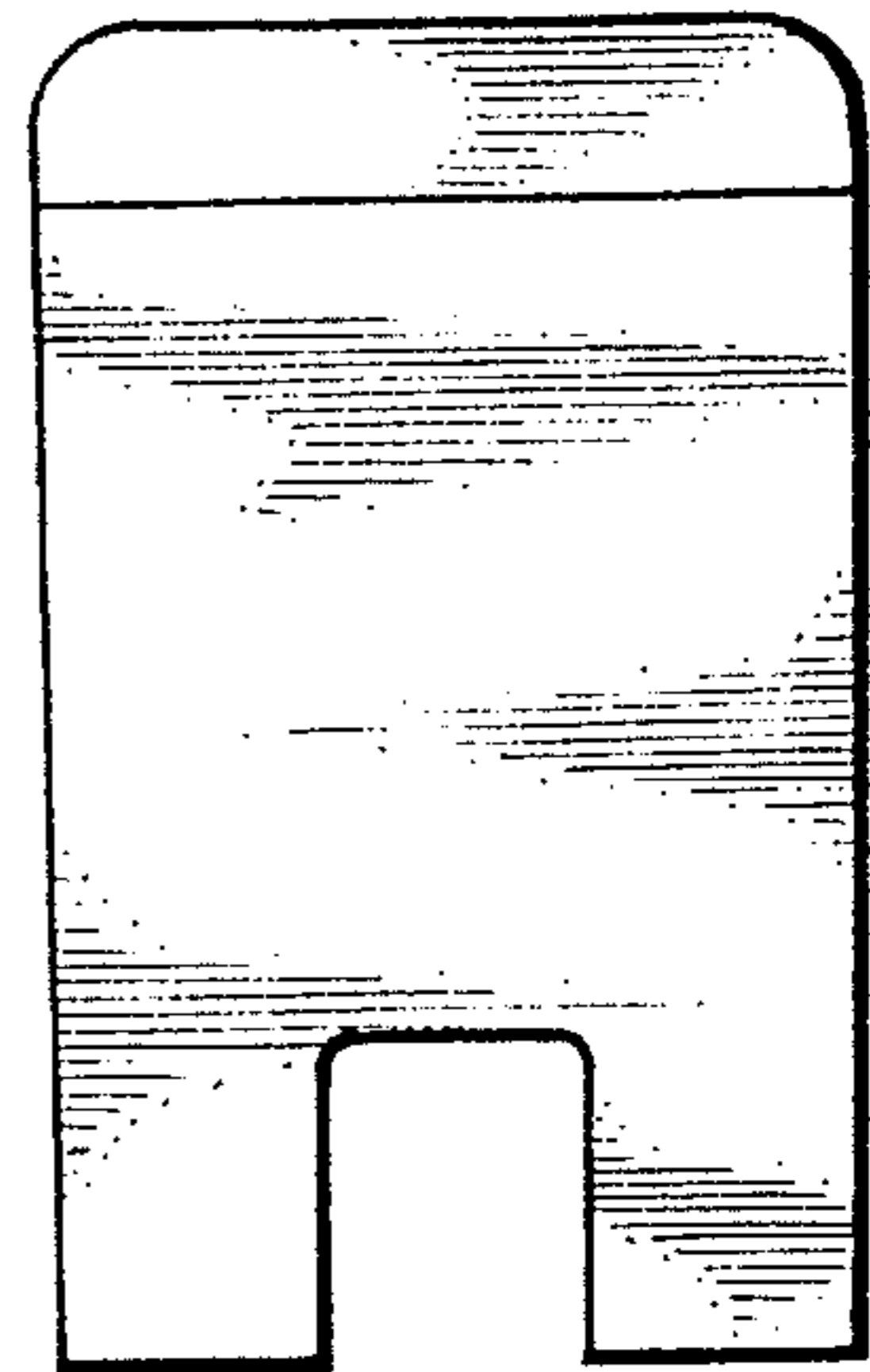


Fig. 4.

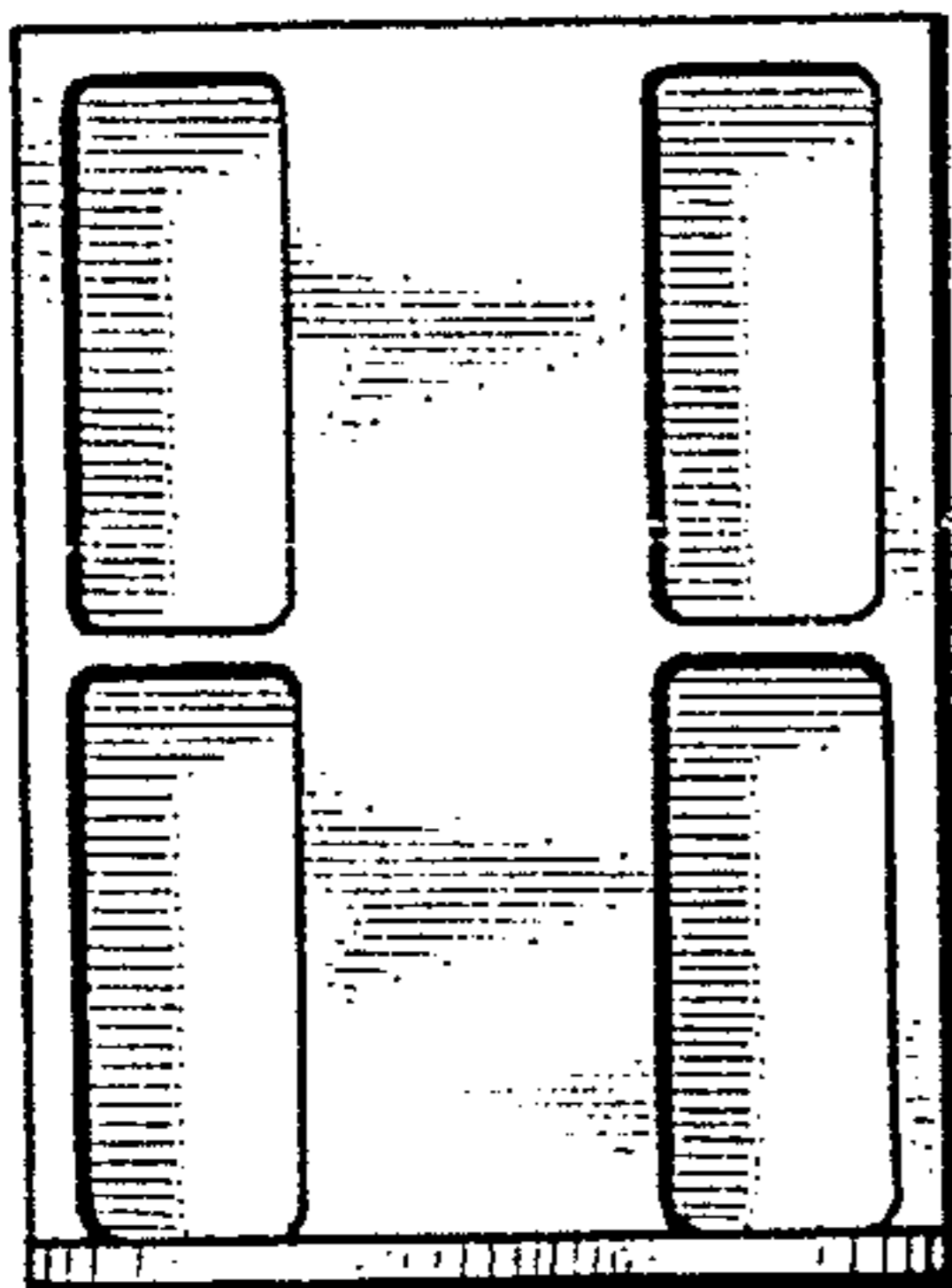


Fig. 5.

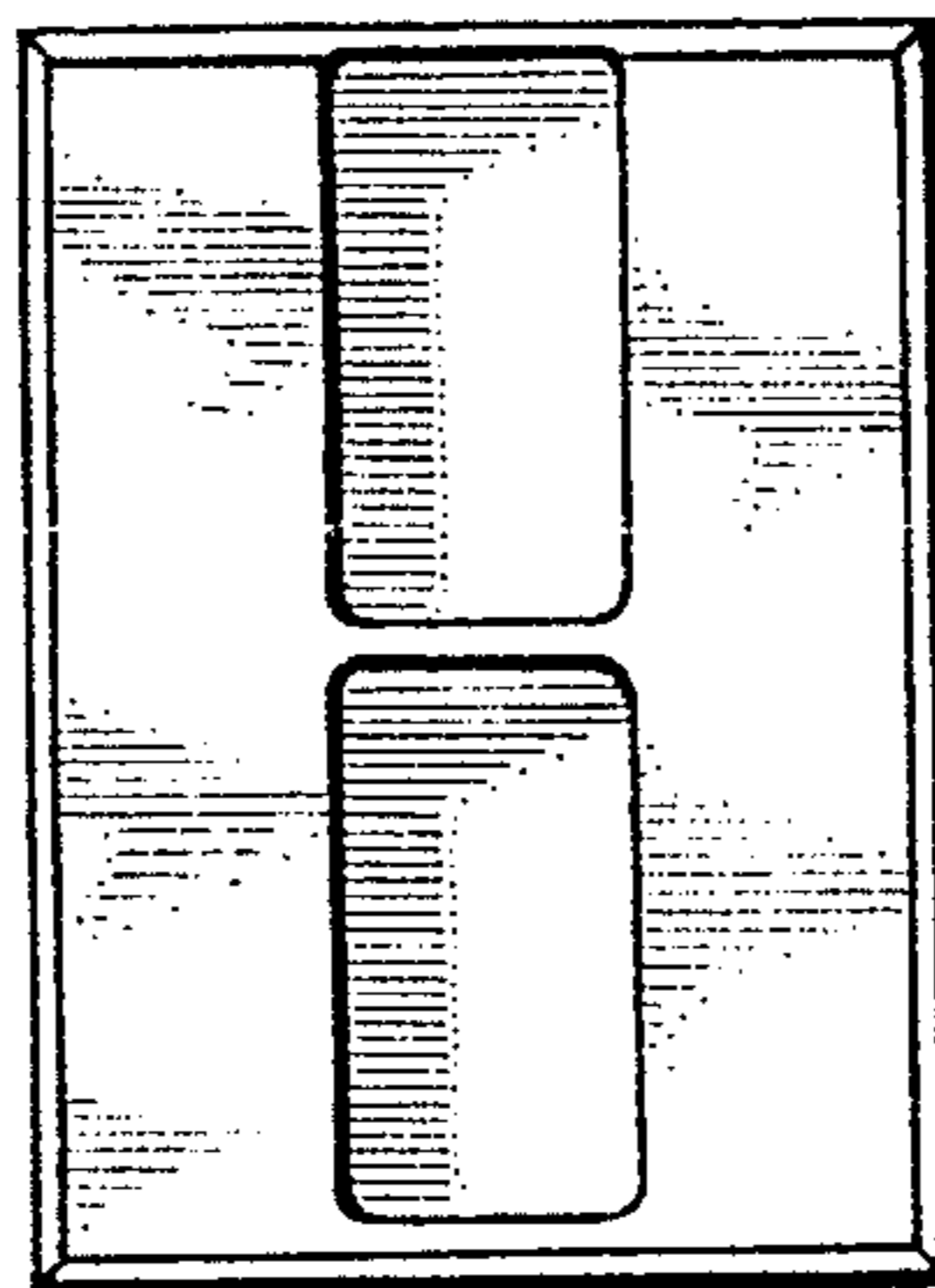


Fig. 6.

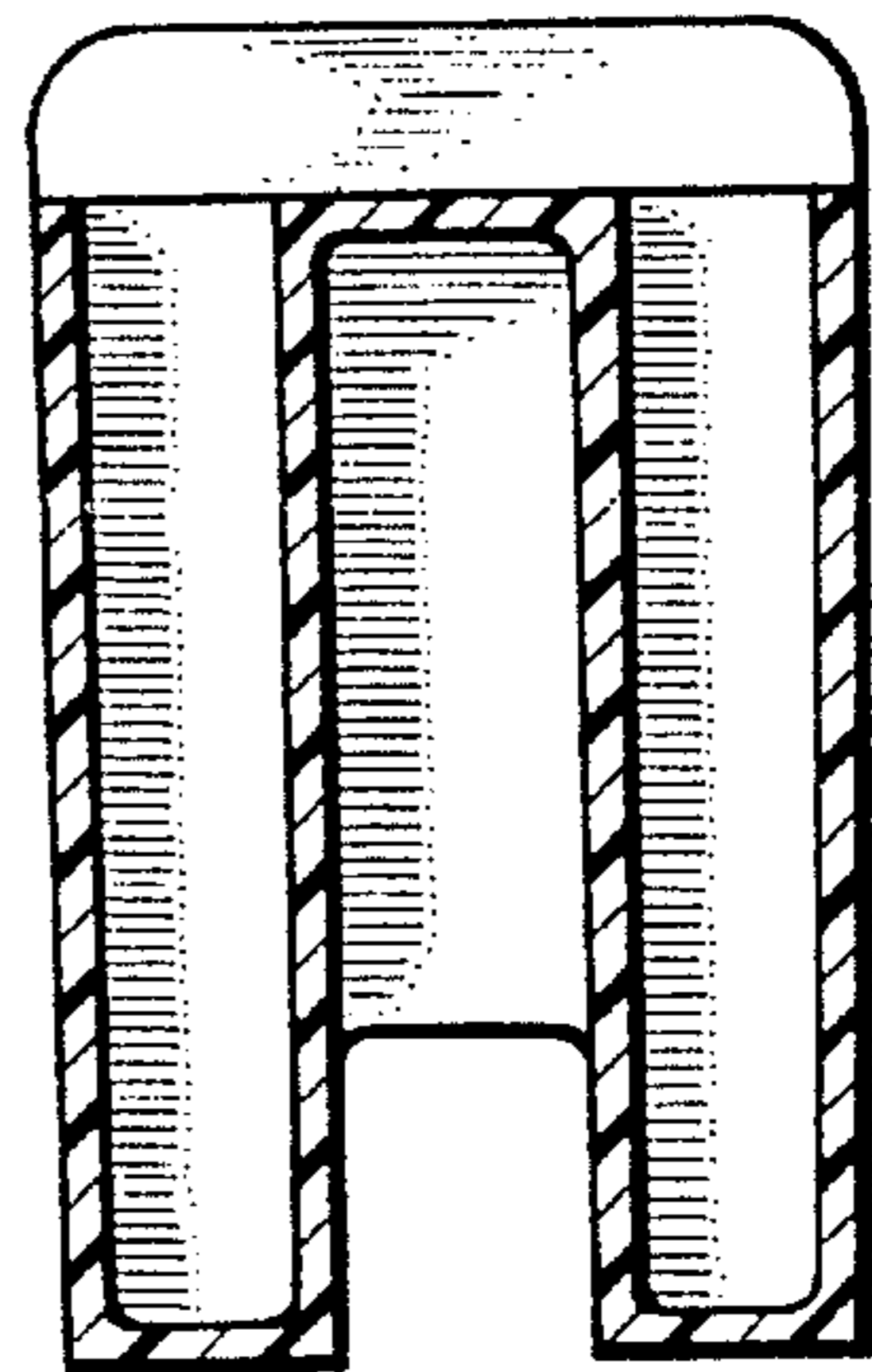


Fig. 7.