



US00D378456S

United States Patent [19] Speicher

[11] Patent Number: **Des. 378,456**

[45] Date of Patent: ****Mar. 11, 1997**

[54] **FISHERMAN'S CADDY**

[76] Inventor: **Donald L. Speicher**, 604 Oak Rd.,
Raleigh, N.C. 27603-2710

[**] Term: **14 Years**

[21] Appl. No.: **53,711**

[22] Filed: **Apr. 26, 1996**

[52] U.S. Cl. **D34/25; D34/24**

[58] **Field of Search** D34/12, 17, 19,
D34/20, 21, 24, 26, 25; 280/47.35, 47.19,
47.29, 47.26; 206/315.11; 43/57.1; D22/136

5,159,777 11/1992 Gonzalez 280/47.29 X
5,203,815 4/1993 Miller 280/47.26 X
5,319,877 6/1994 Hagan .

Primary Examiner—Kay H. Chin

[57] **CLAIM**

The ornamental design for the fisherman's caddy, as shown and described.

DESCRIPTION

FIG. 1 is a perspective view of the fisherman's caddy with the seat lifted up;
FIG. 2 is a front plan view thereof;
FIG. 3 is a rear plan view thereof;
FIG. 4 is a left side elevational view thereof;
FIG. 5 is a right side elevational view thereof;
FIG. 6 is a top plan view thereof;
FIG. 7 is a bottom plan view thereof; and,
FIG. 8 is a cross-sectional elevational view along line 8—8 of FIG. 6, the other interior side not shown being identical, but for the existence of a drain plug.

[56] **References Cited**

U.S. PATENT DOCUMENTS

D. 264,888	6/1982	Watts	D34/26
D. 345,865	4/1994	Tintori	.	
D. 357,783	4/1995	Jones	D34/26
4,128,170	12/1978	Elliott	.	
4,228,894	10/1980	Lyles	.	
4,353,182	10/1982	Junkas et al.	.	
4,845,881	7/1989	Ward	.	

1 Claim, 4 Drawing Sheets

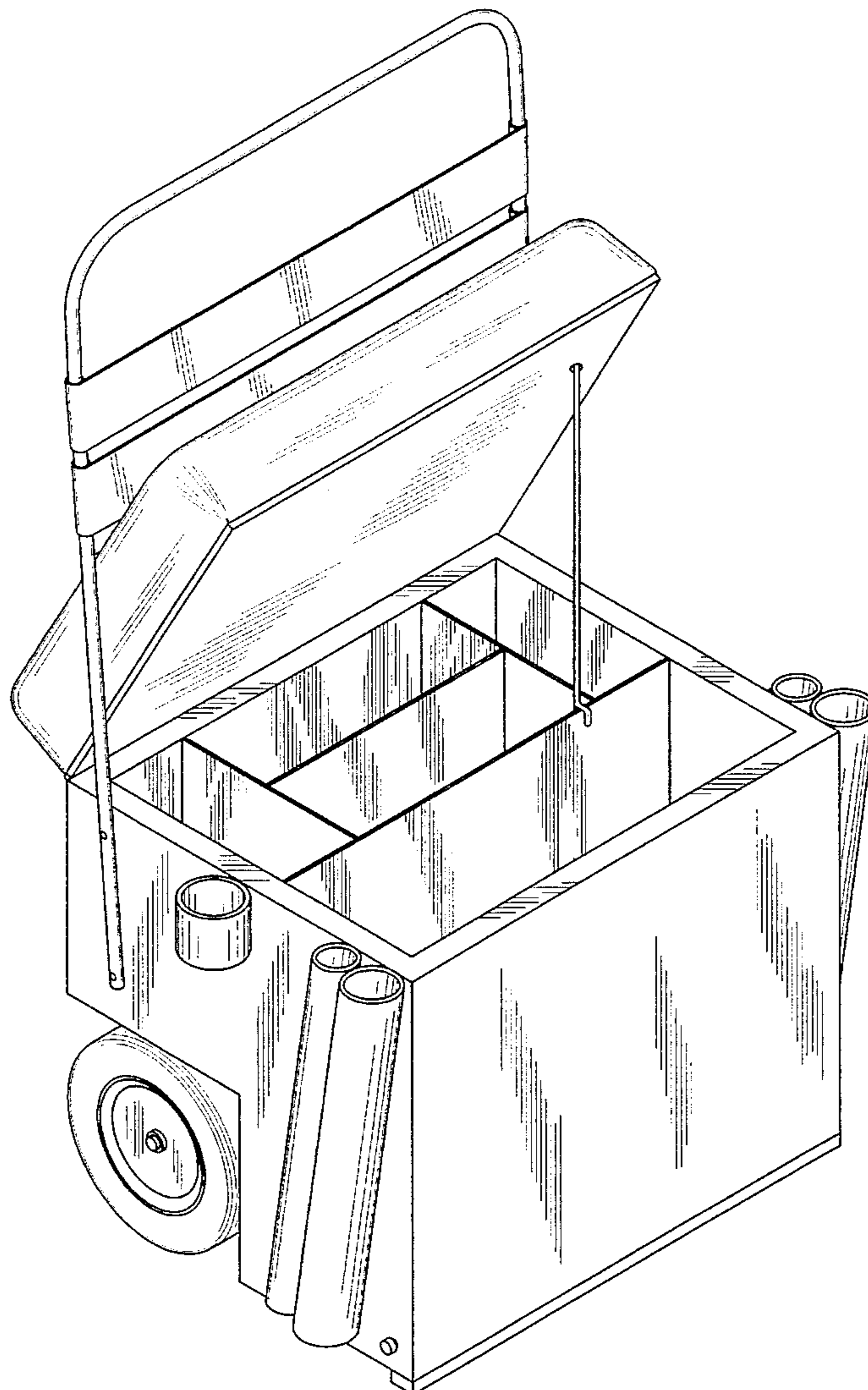


FIG. 1

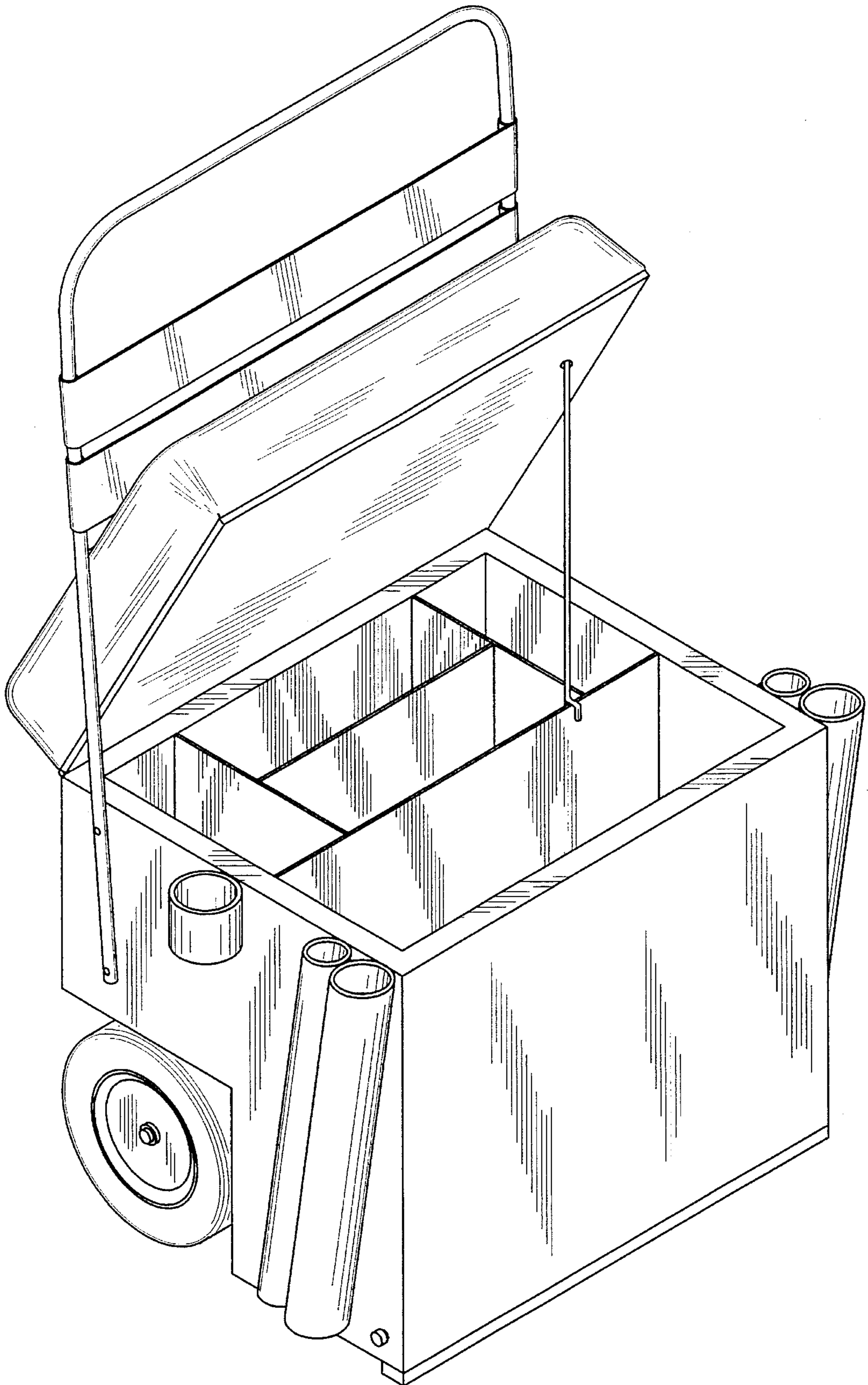


FIG. 2

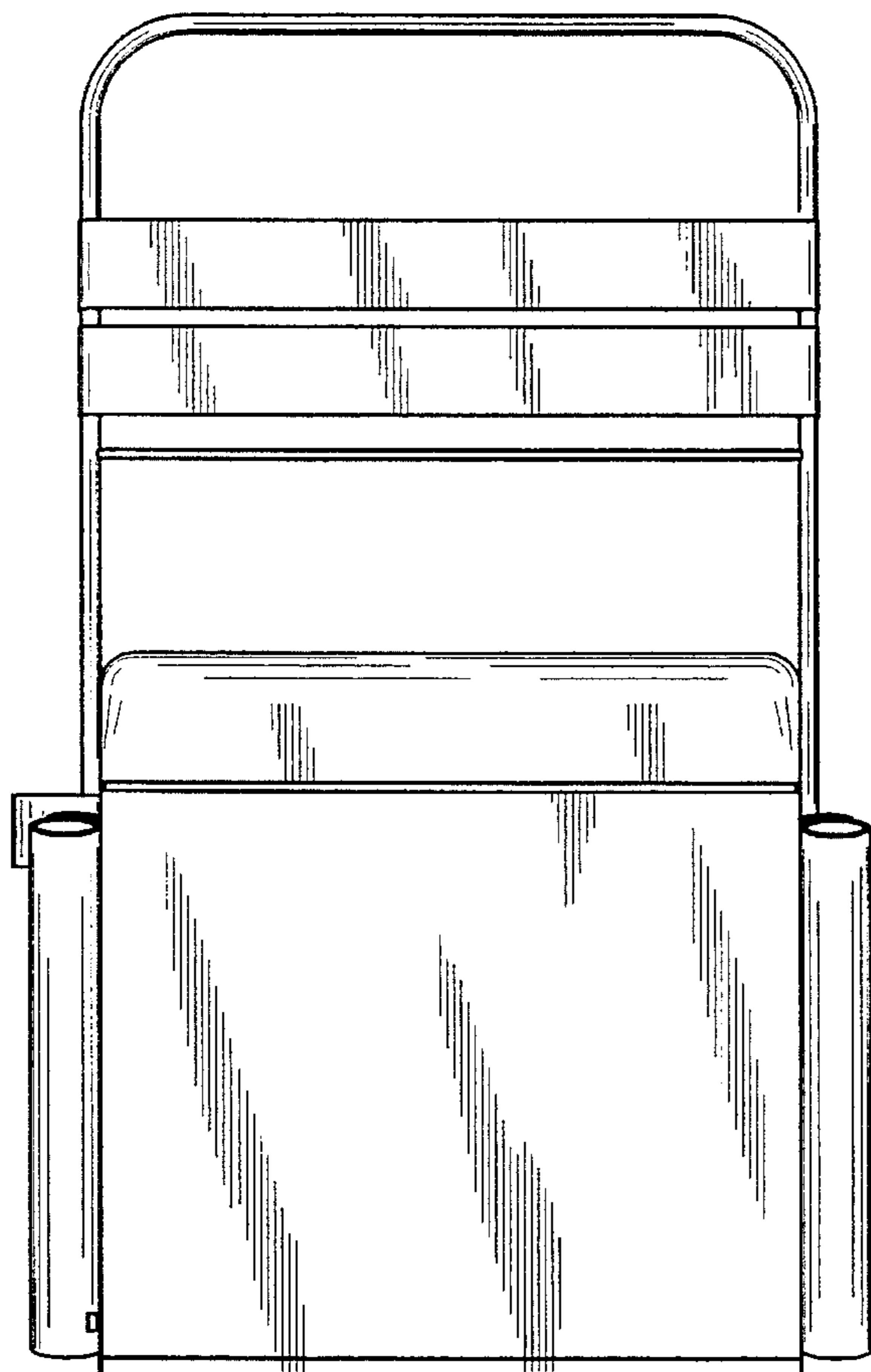


FIG. 3

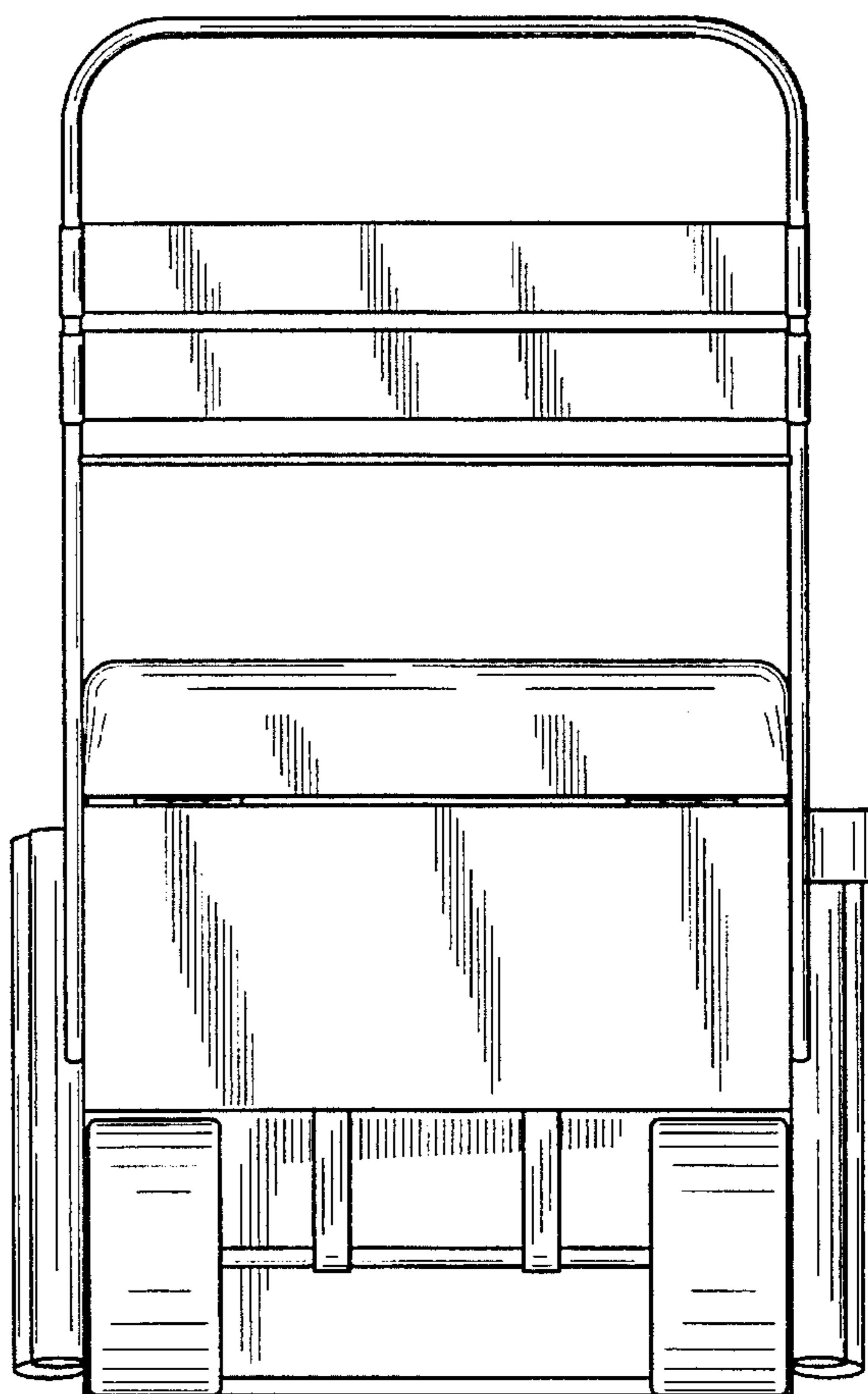


FIG. 4

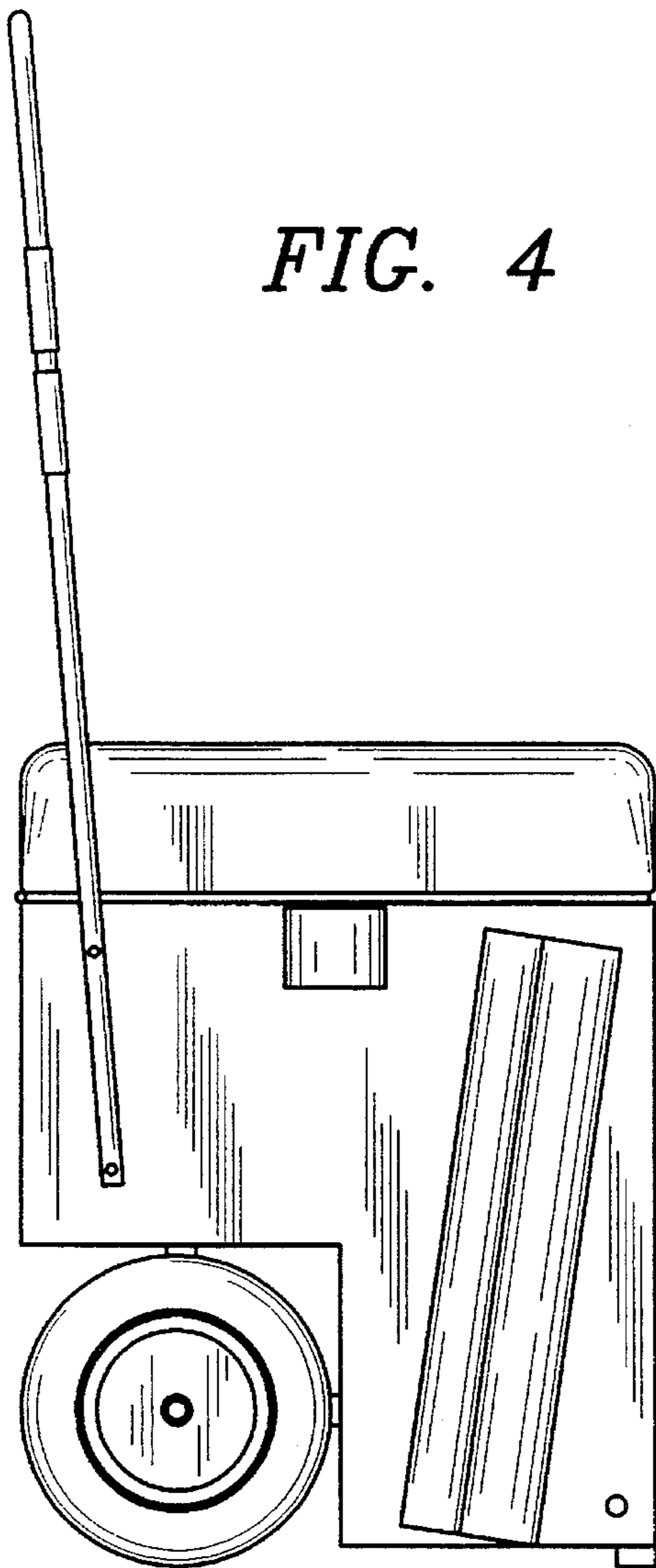


FIG. 5

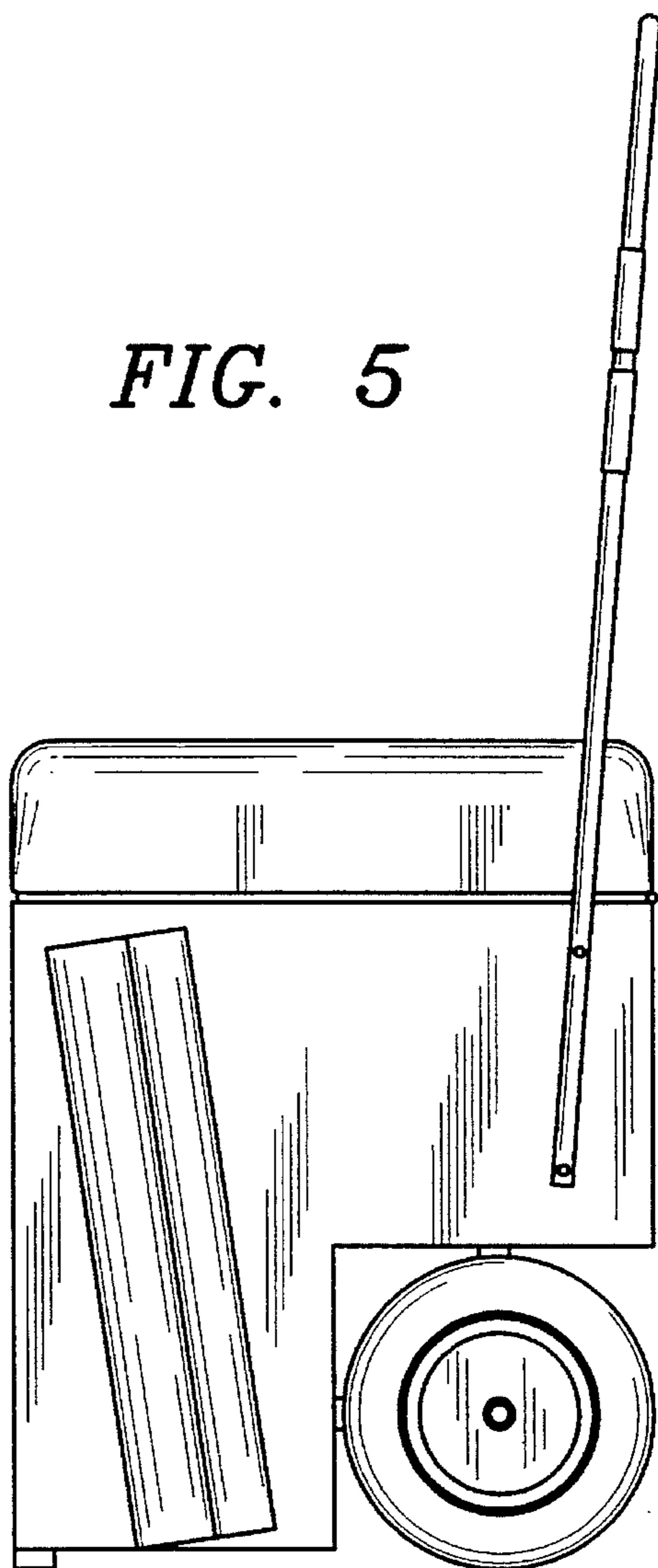


FIG. 6

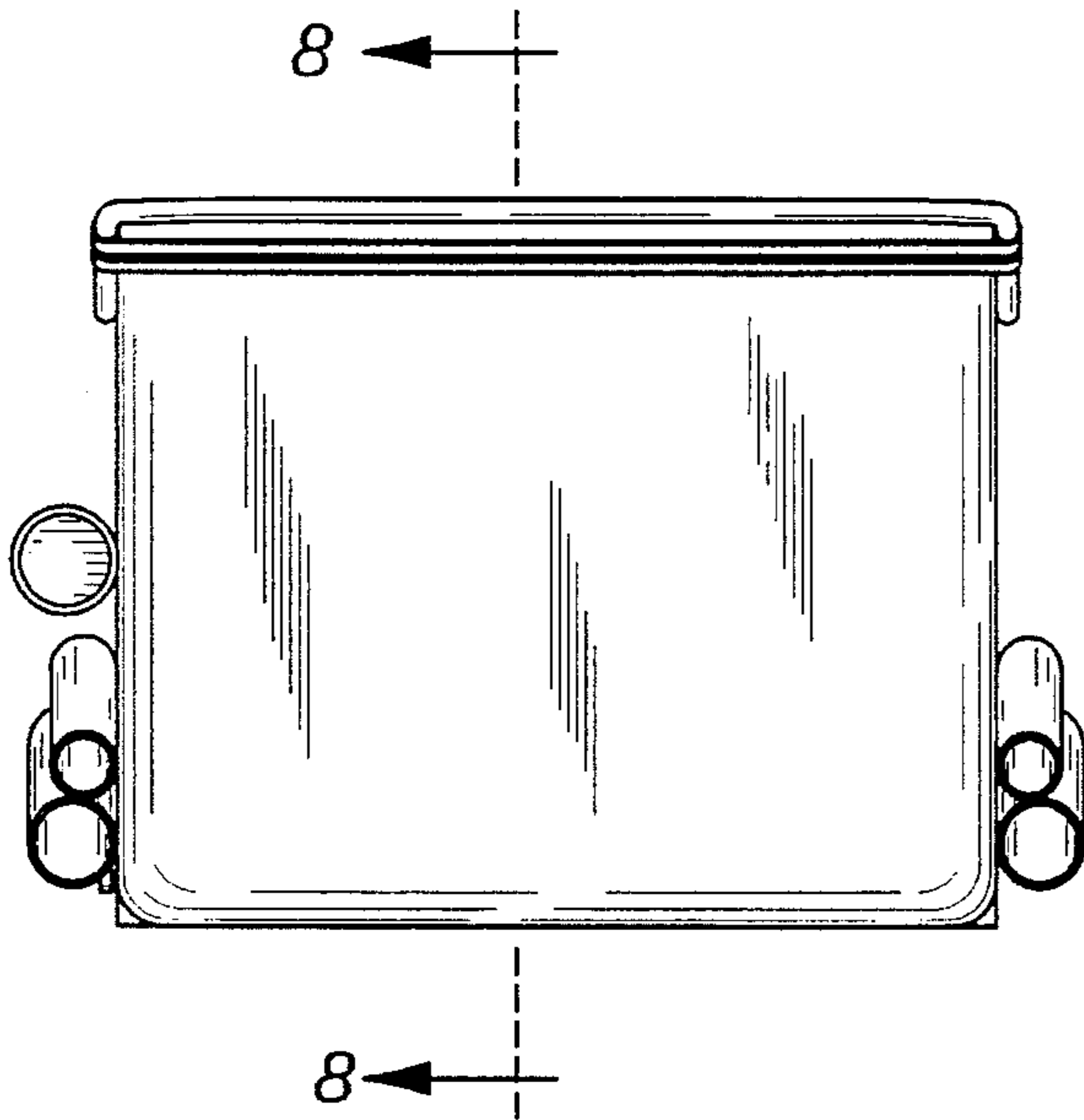


FIG. 7

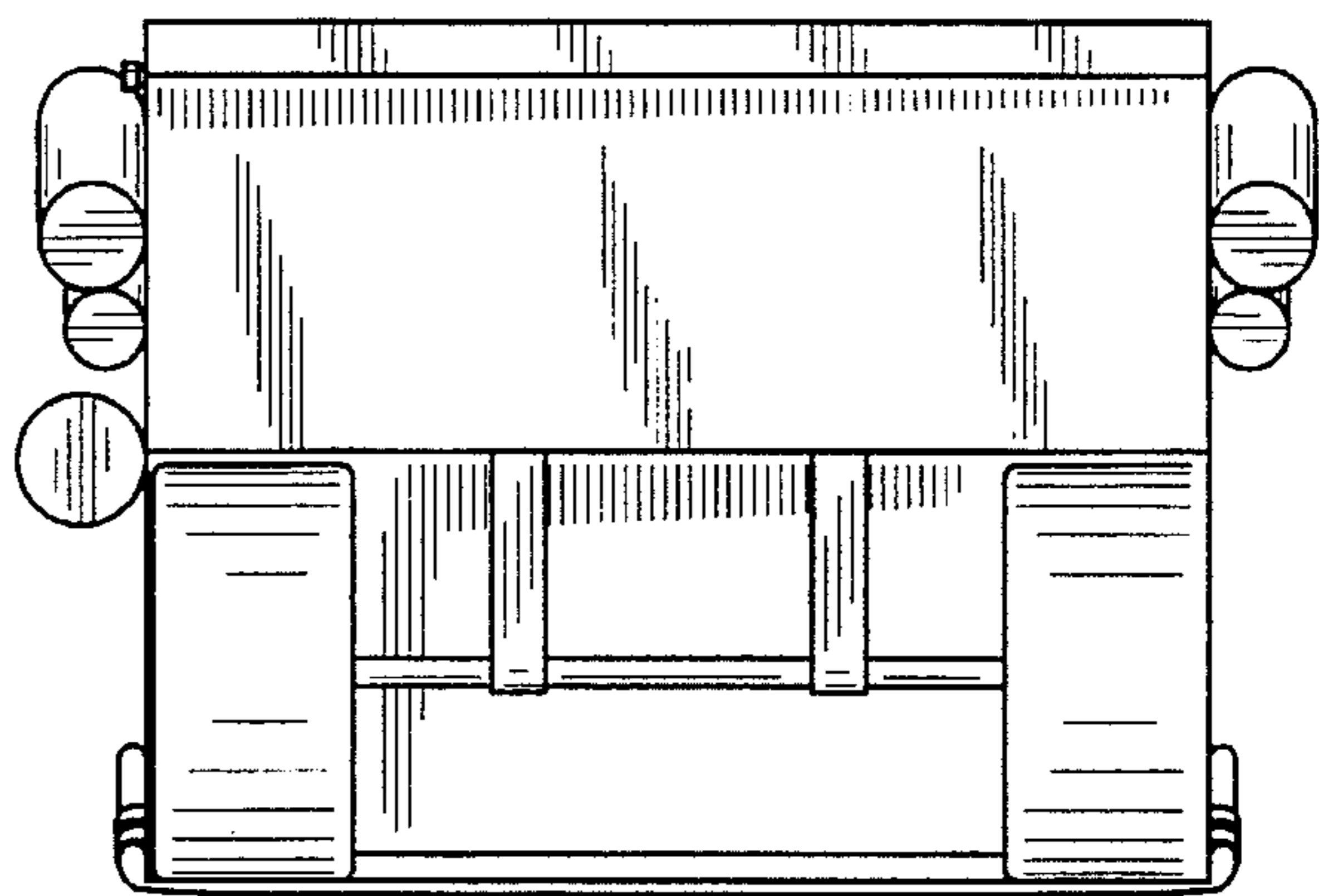


FIG. 8

