



US00D378454S

# United States Patent [19]

[11] Patent Number: **Des. 378,454**

Miller et al.

[45] Date of Patent: **\*\*Mar. 11, 1997**

## [54] LAPTOP COMPUTER CART

[75] Inventors: **Joseph E. Miller**, Naples, Fla.; **James M. Holler**, Jamestown, N.Y.; **James G. Fiala**, Wayland, Mass.

[73] Assignee: **Bush Industries, Inc.**, Jamestown, N.Y.

[\*\*] Term: **14 Years**

[21] Appl. No.: **49,501**

[22] Filed: **Jan. 26, 1996**

[52] U.S. Cl. .... **D34/21; D6/474**

[58] Field of Search ..... **D34/12-27; D6/425, D6/430, 474, 433; 312/351**

## [56] References Cited

### U.S. PATENT DOCUMENTS

D. 287,319	12/1986	Ugalde	.....	D6/474
D. 311,291	10/1990	Ugalde	.....	D34/21
D. 313,517	1/1991	Ugalde	.....	D6/425
D. 343,305	1/1994	Ng et al.	.....	D6/430

Primary Examiner—Kay H. Chin  
Attorney, Agent, or Firm—Webb Ziesenheim Bruening  
Logsdon Orkin & Hanson, P.C.

## [57] CLAIM

The ornamental design for a laptop computer cart, as shown and described.

## DESCRIPTION

FIG. 1 is a perspective view of a laptop computer cart according to our new design with a desktop of the computer cart in the closed position;

FIG. 2 is a front elevational view of the laptop computer cart of FIG. 1, the front view of the laptop computer cart with the desktop in the open position being identical thereto;

FIG. 3 is a back elevational view of the laptop computer cart of FIG. 1, the back elevational view of the laptop computer cart of FIG. 1 with the desktop in the open position being identical thereto;

FIG. 4 is a side elevational view of the right side of the laptop computer cart of FIG. 1, the opposite side being a mirror image thereof;

FIG. 5 is a top plan view of the laptop computer cart shown in FIG. 1;

FIG. 6 is a bottom plan view of the laptop computer cart shown in FIG. 1;

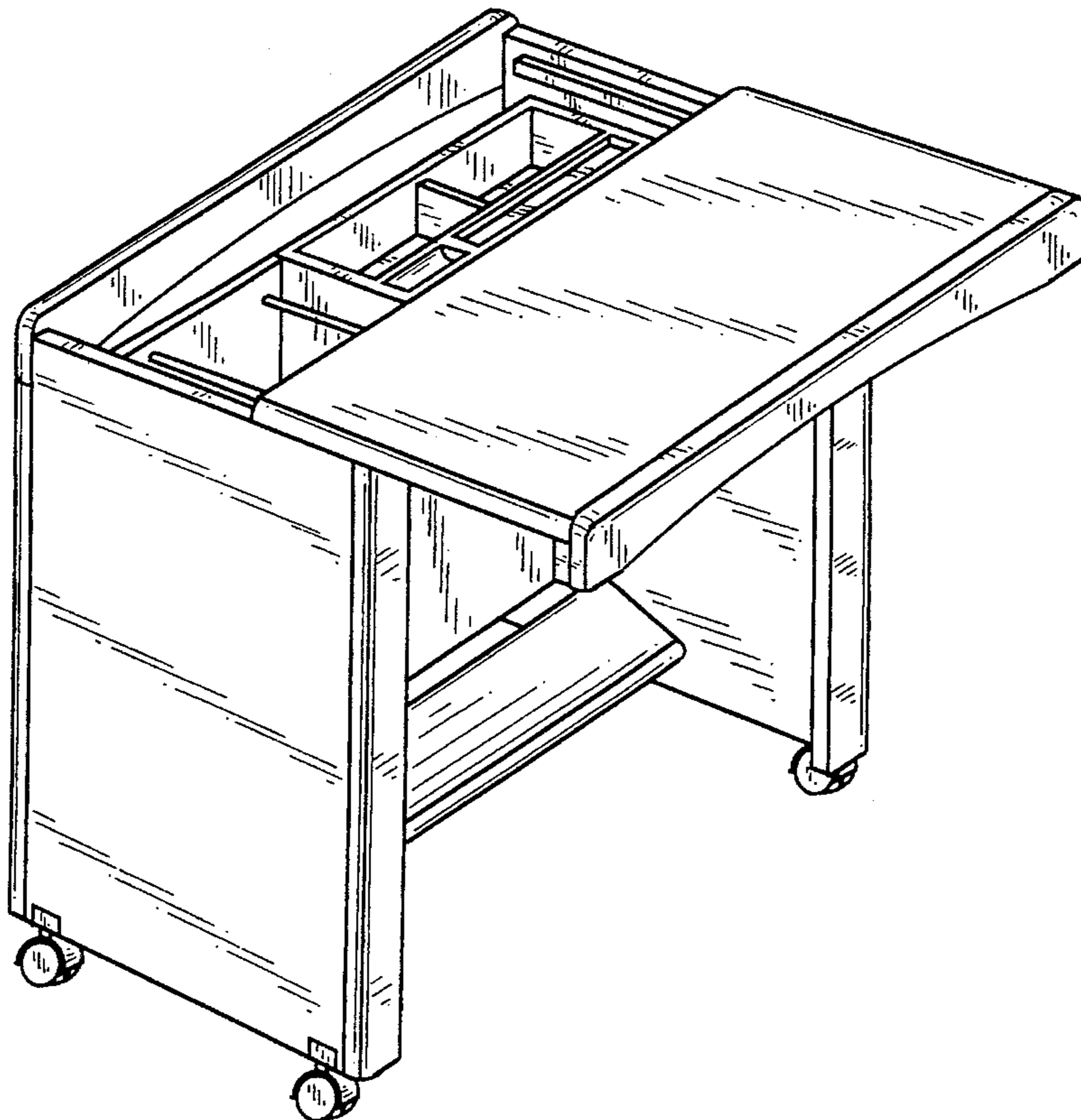
FIG. 7 is a perspective view of the laptop computer cart of FIG. 1 with the desktop of the laptop computer cart in the open position;

FIG. 8 is a side elevational view of the right side of the laptop computer cart of FIG. 7, the opposite side being a mirror image thereof;

FIG. 9 is a top plan view of the laptop computer cart shown in FIG. 7; and,

FIG. 10 is a bottom plan view of the laptop computer cart shown in FIG. 7.

**1 Claim, 7 Drawing Sheets**



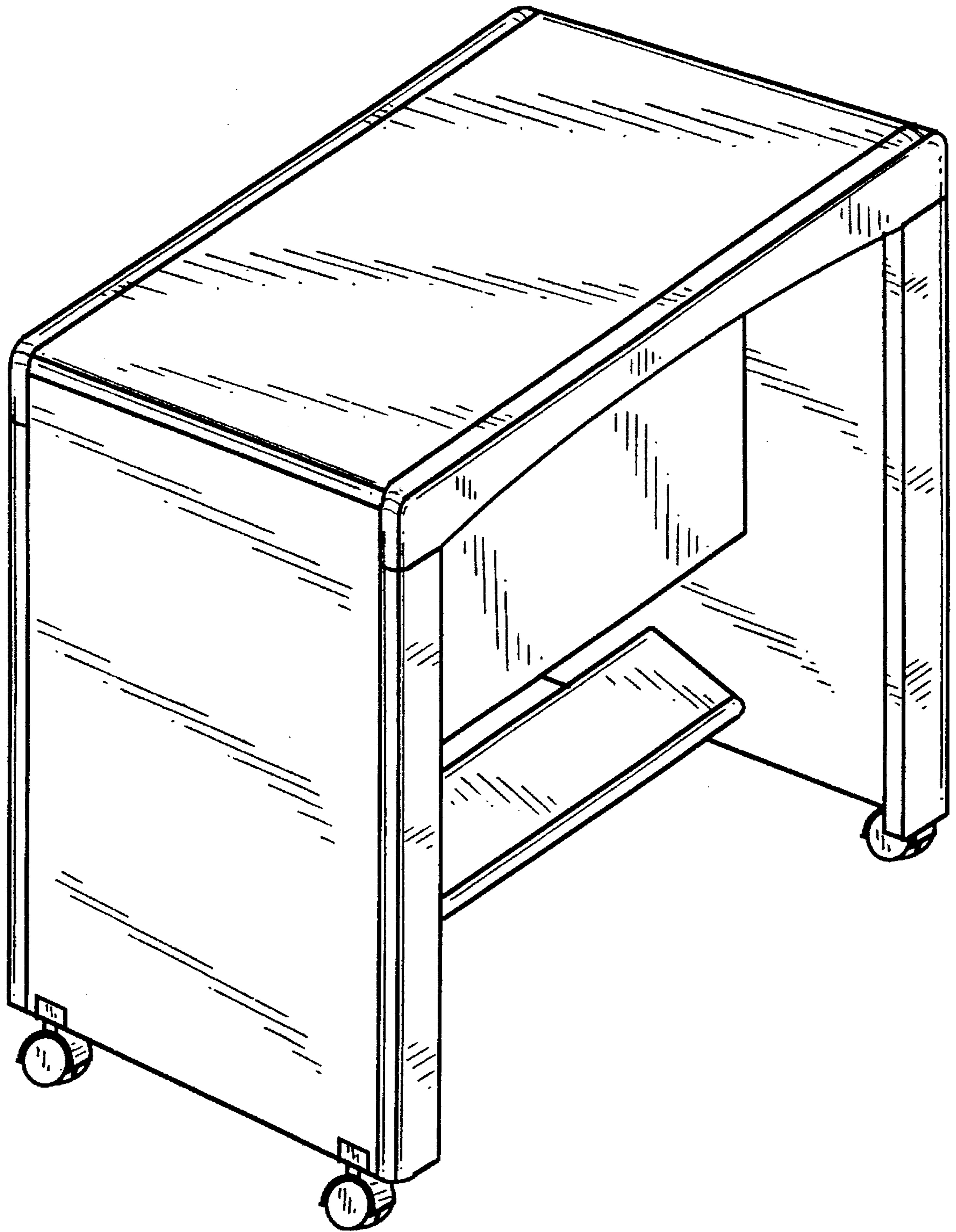


FIG. 1

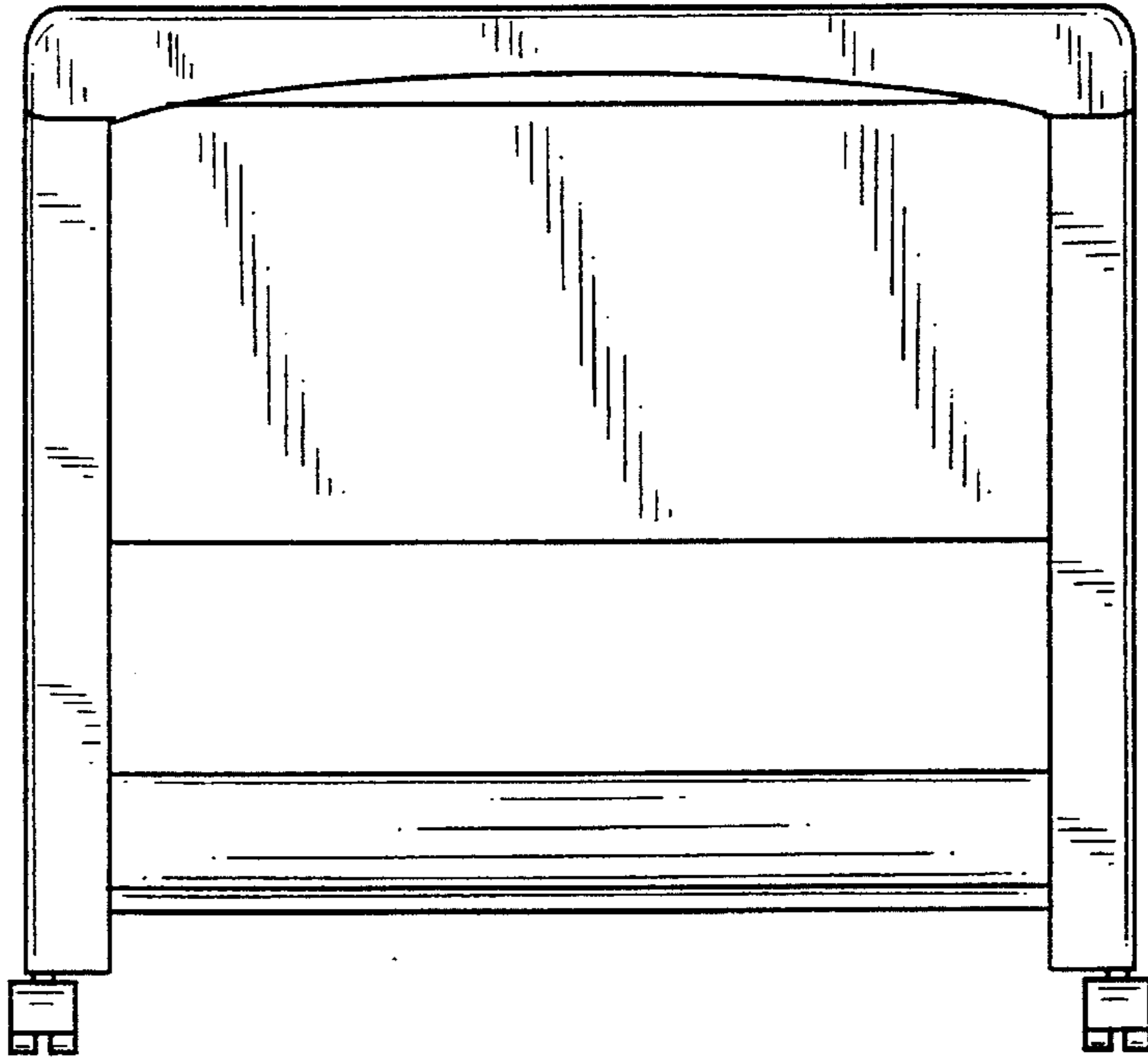


FIG. 2

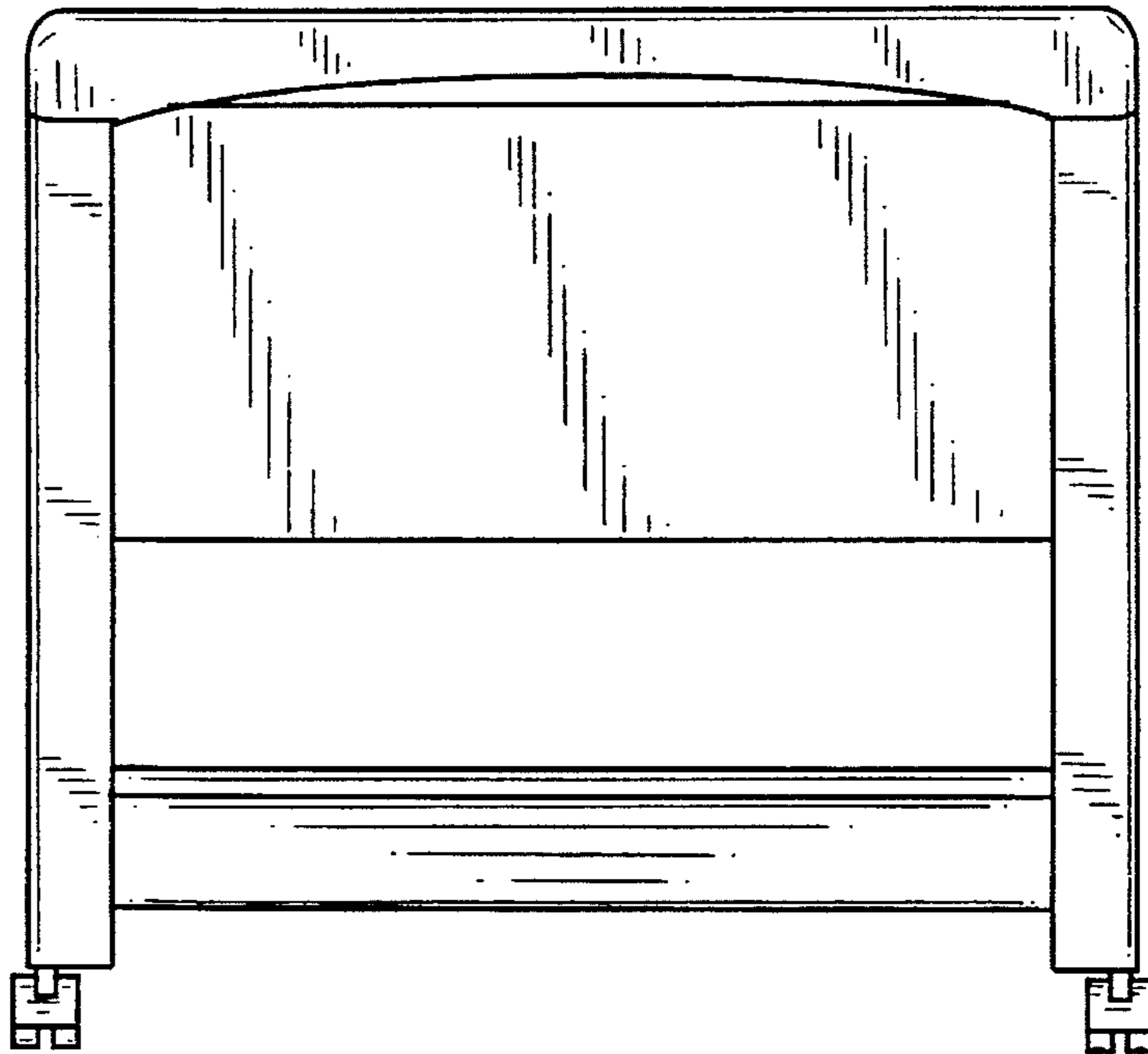


FIG. 3

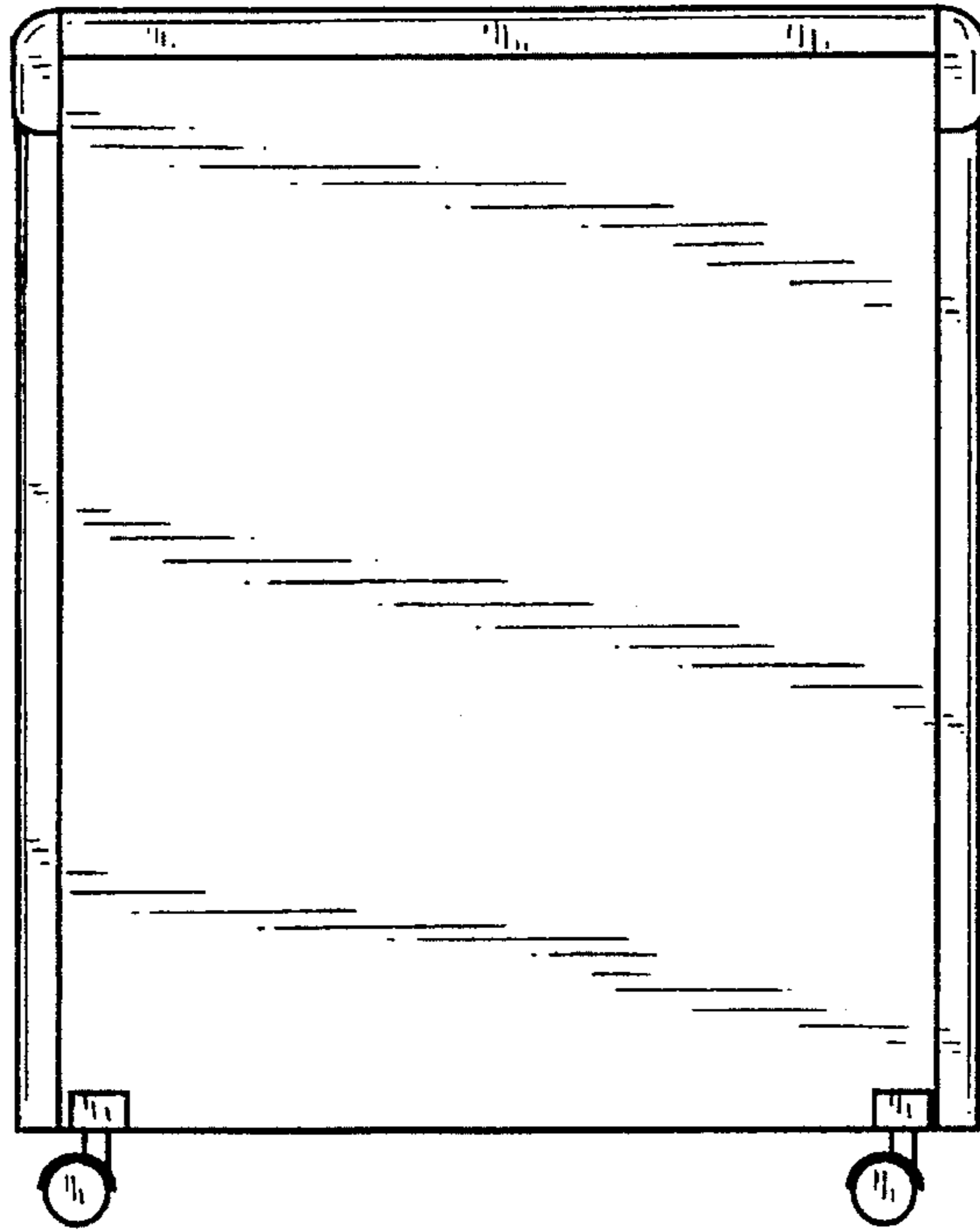


FIG. 4

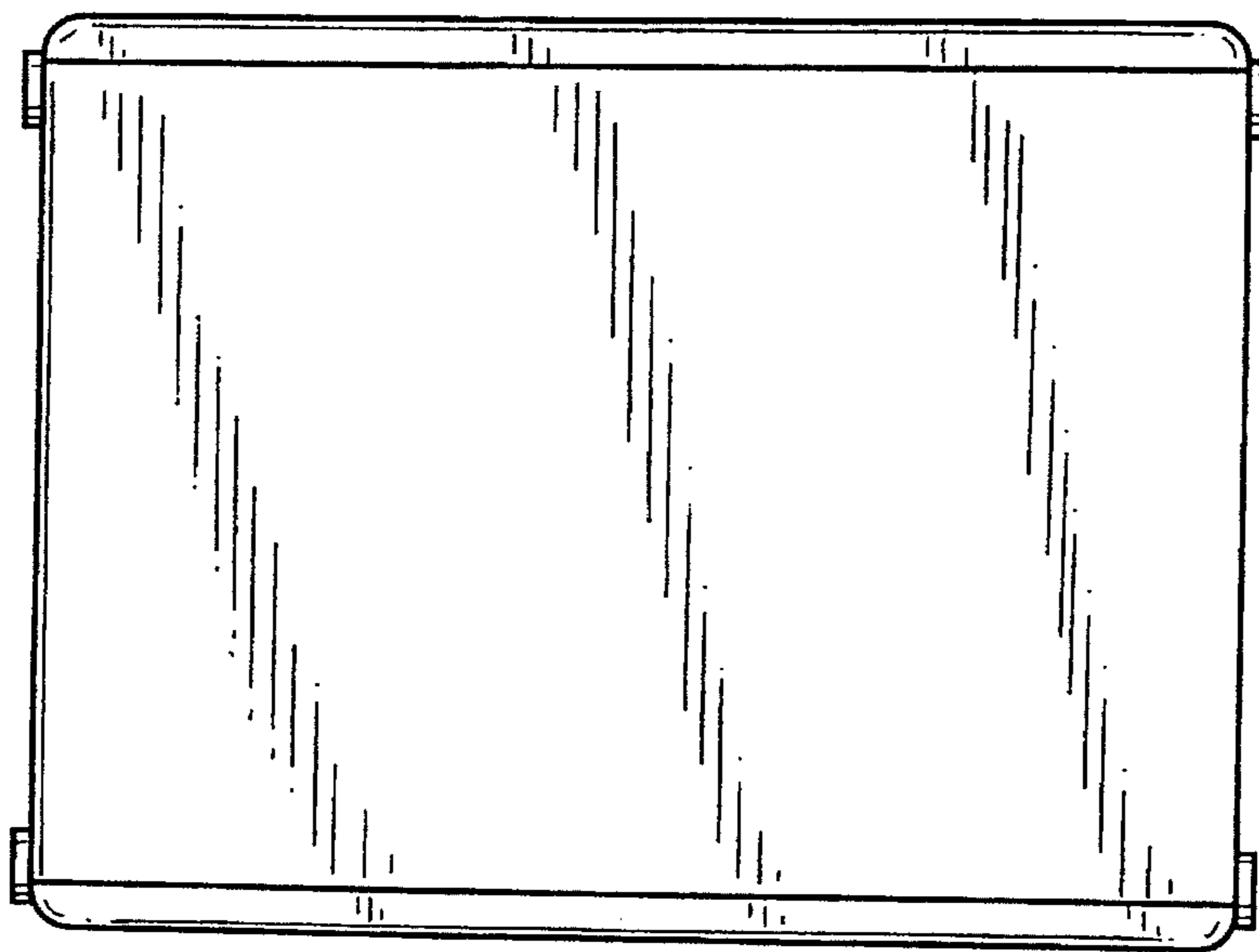


FIG. 5

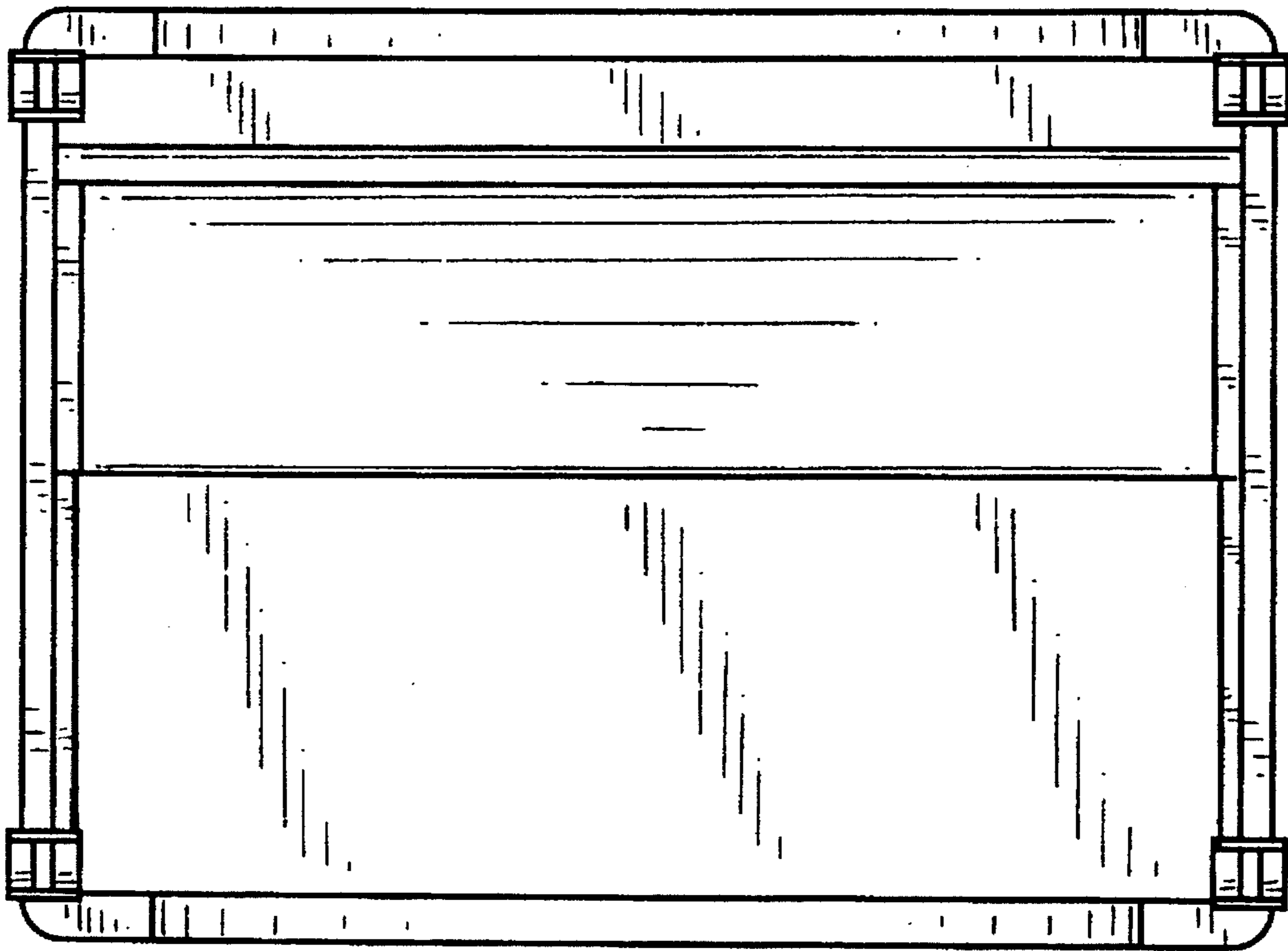


FIG. 6



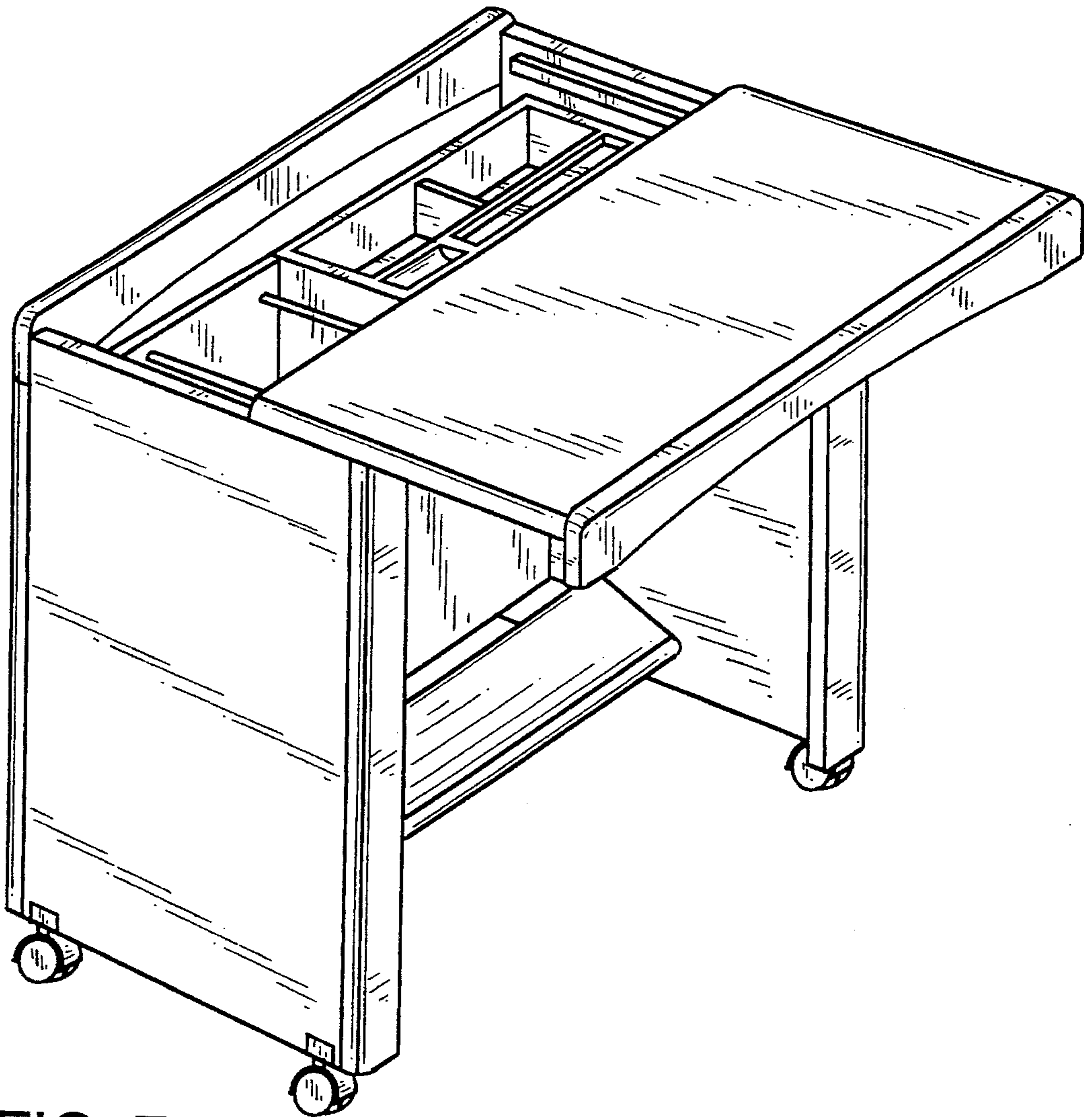


FIG. 7

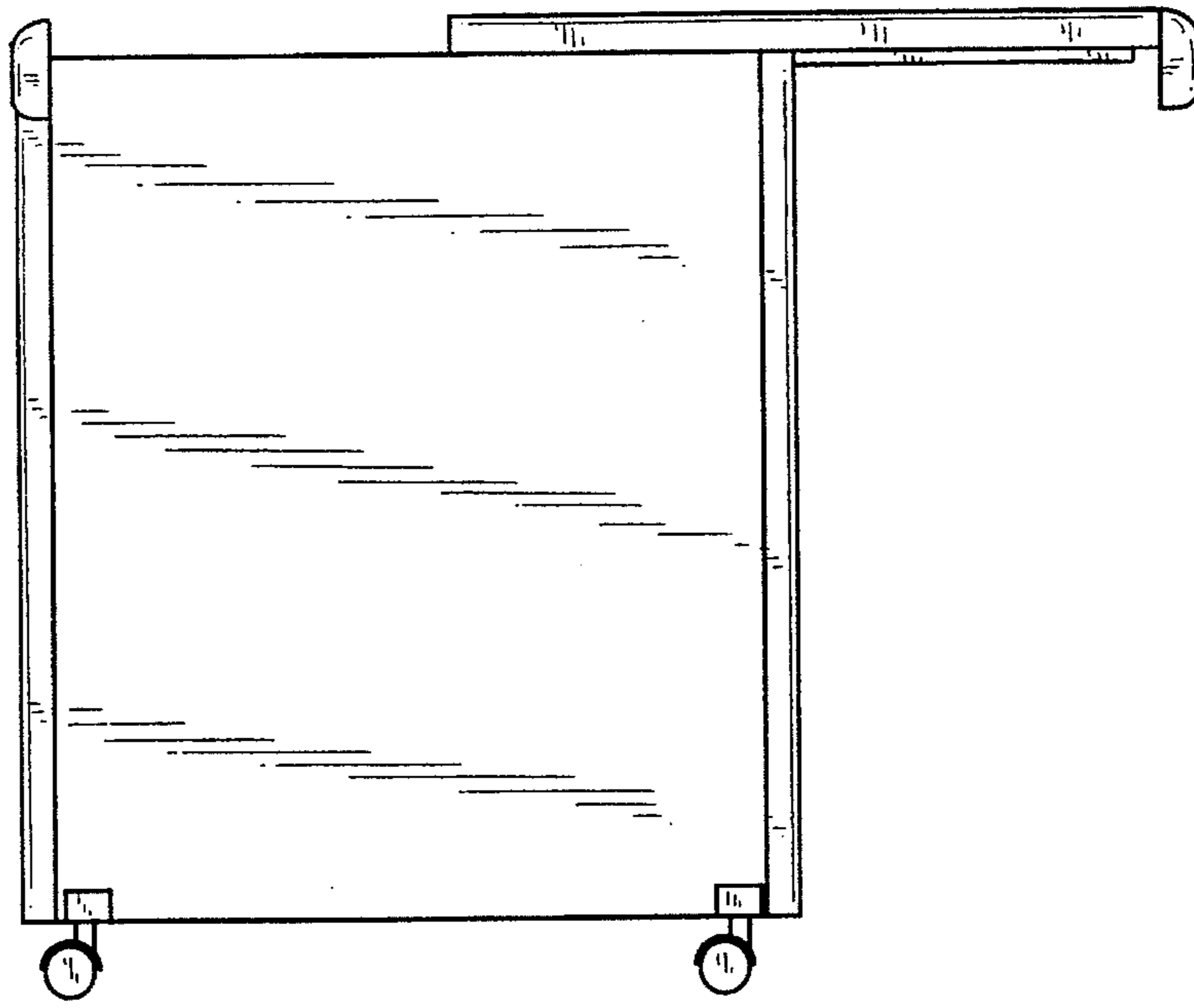


FIG. 8

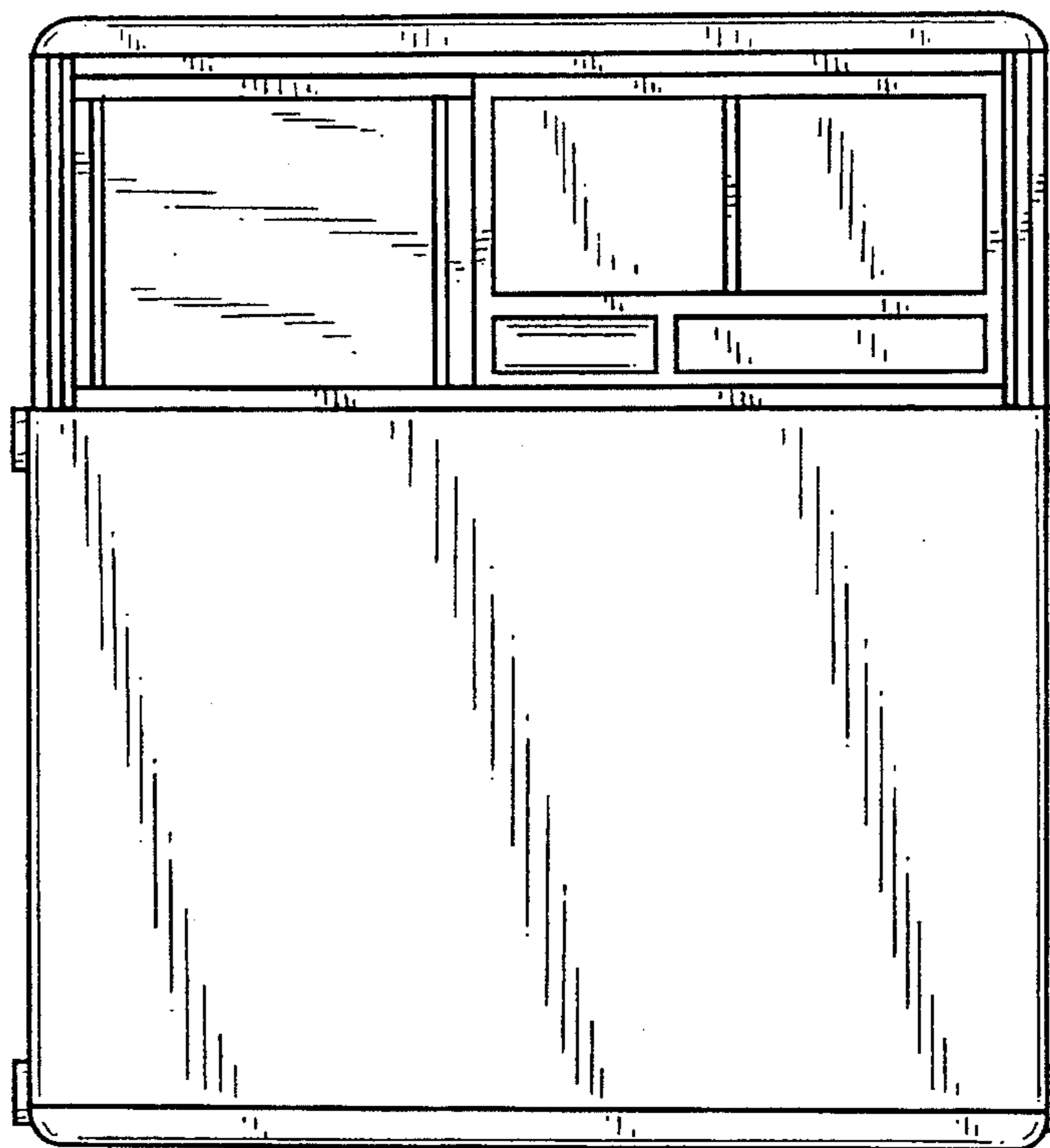


FIG. 9

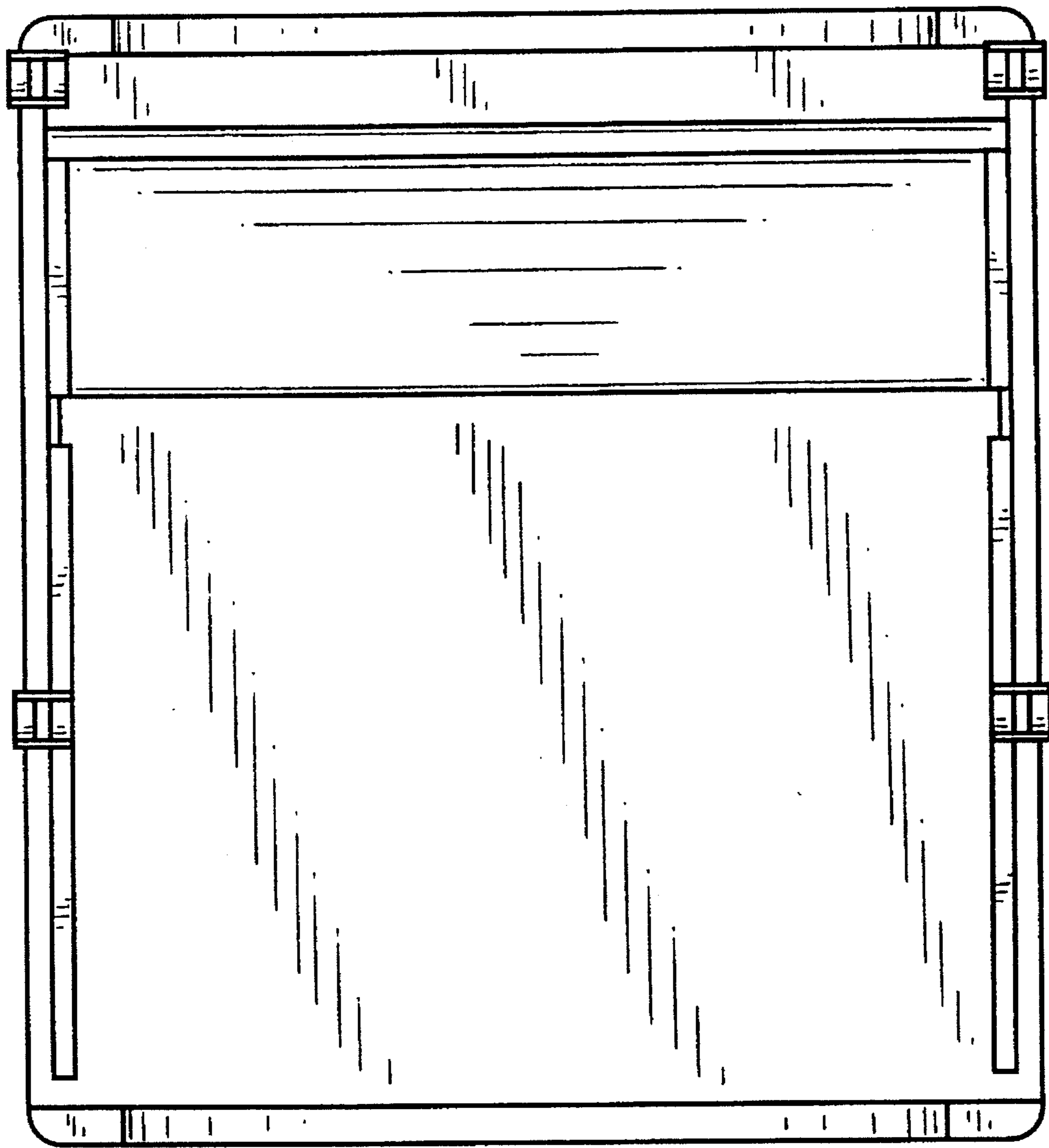


FIG. 10