



US00D378449S

United States Patent [19]

[11] Patent Number: **Des. 378,449**

Hunt

[45] Date of Patent: ****Mar. 11, 1997**

[54] **HEAD RESTRAINT FOR SMALL LIVESTOCK**

[76] Inventor: **Roy H. Hunt**, 2361 10th St. West, Woodland Hills, Calif. 93560

[**] Term: **14 Years**

[21] Appl. No.: **43,649**

[22] Filed: **Sep. 8, 1995**

Related U.S. Application Data

[63] Continuation of Ser. No. 20,390, Mar. 25, 1994, abandoned, which is a continuation-in-part of Ser. No. 3,458, Jan. 12, 1993, Pat. No. 5,329,882.

[52] **U.S. Cl.** **D30/151**

[58] **Field of Search** 119/755, 729, 119/712; D30/151

[56] **References Cited**

U.S. PATENT DOCUMENTS

| | | | |
|------------|---------|--------------|---------|
| 93,062 | 7/1869 | Crawford | 119/755 |
| D. 354,569 | 1/1995 | Hilgers | D30/151 |
| 1,655,343 | 1/1928 | Spencer | 119/712 |
| 2,832,313 | 4/1958 | Toepel | 119/755 |
| 2,987,042 | 6/1961 | Rothberg | 119/755 |
| 3,166,049 | 1/1965 | Lundin | 119/712 |
| 4,321,890 | 3/1982 | Lange et al. | 119/712 |
| 5,065,701 | 11/1991 | Punt | 119/729 |

FOREIGN PATENT DOCUMENTS

| | | | |
|--------|--------|----------------|---------|
| 109599 | 2/1940 | Australia | 119/755 |
| 167476 | 4/1954 | Australia | 119/755 |
| 221193 | 3/1958 | Australia | 119/755 |
| 109393 | 9/1992 | Germany | 119/755 |
| 856454 | 8/1981 | U.S.S.R. | 119/729 |
| 389008 | 3/1933 | United Kingdom | 119/755 |

Primary Examiner—Cathy Anne MacCormac
Attorney, Agent, or Firm—Kelly, Bauersfeld & Lowry

[57] **CLAIM**

The ornamental design for a head restraint for small livestock, as shown and described.

DESCRIPTION

FIG. 1 is a perspective view taken from the top, left and front of a head restraint for small livestock showing my new design;

FIG. 2 is a left side elevational view thereof;

FIG. 3 is a right side elevational view thereof;

FIG. 4 is a front elevational view thereof;

FIG. 5 is a rear elevational view thereof;

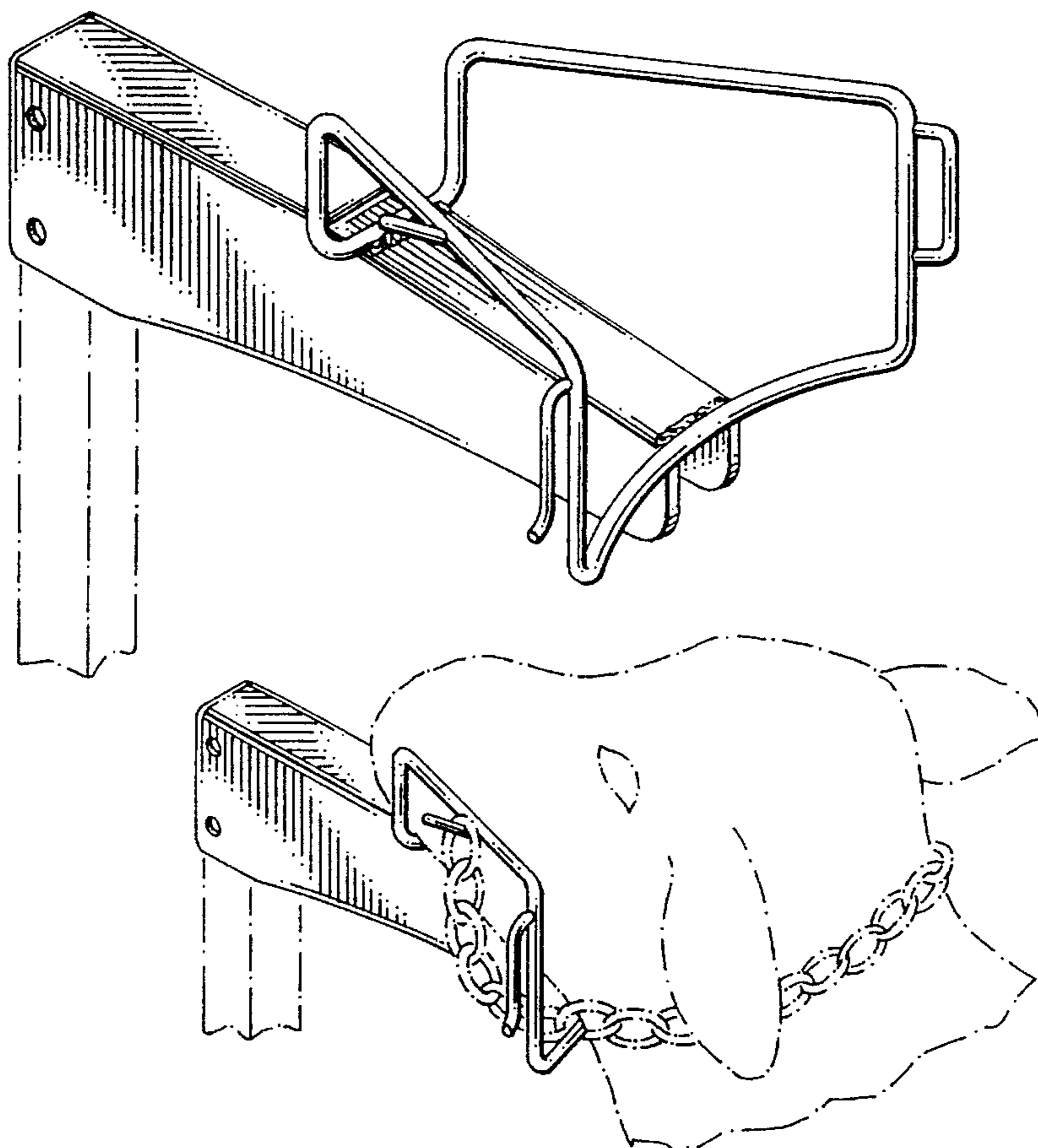
FIG. 6 is a top plan view thereof;

FIG. 7 is a bottom plan view; and,

FIG. 8 is another perspective view thereof.

The broken lines in FIGS. 1 and 8 are for purposes of illustration only and form no part of the claimed design.

1 Claim, 2 Drawing Sheets



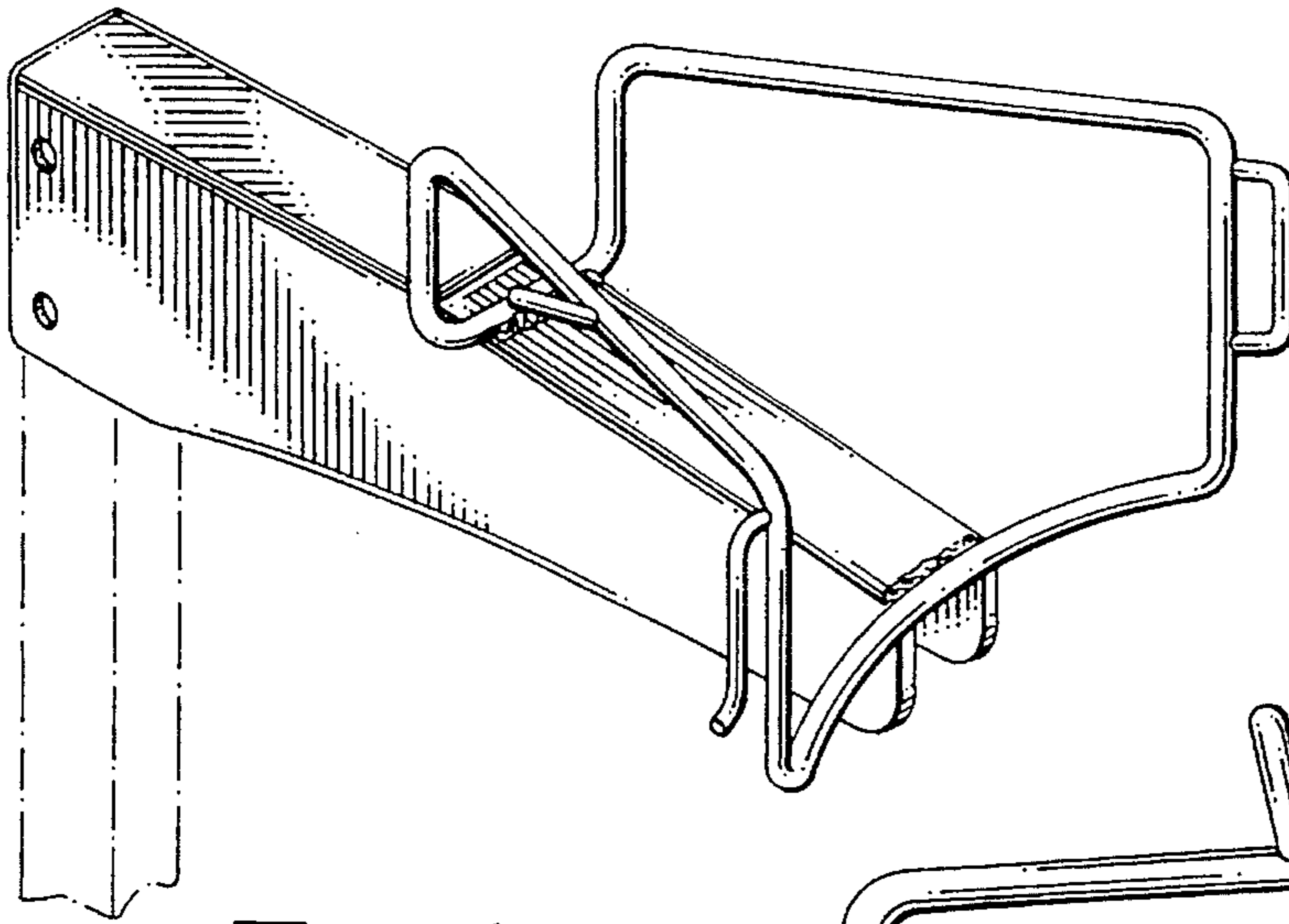


FIG. 1

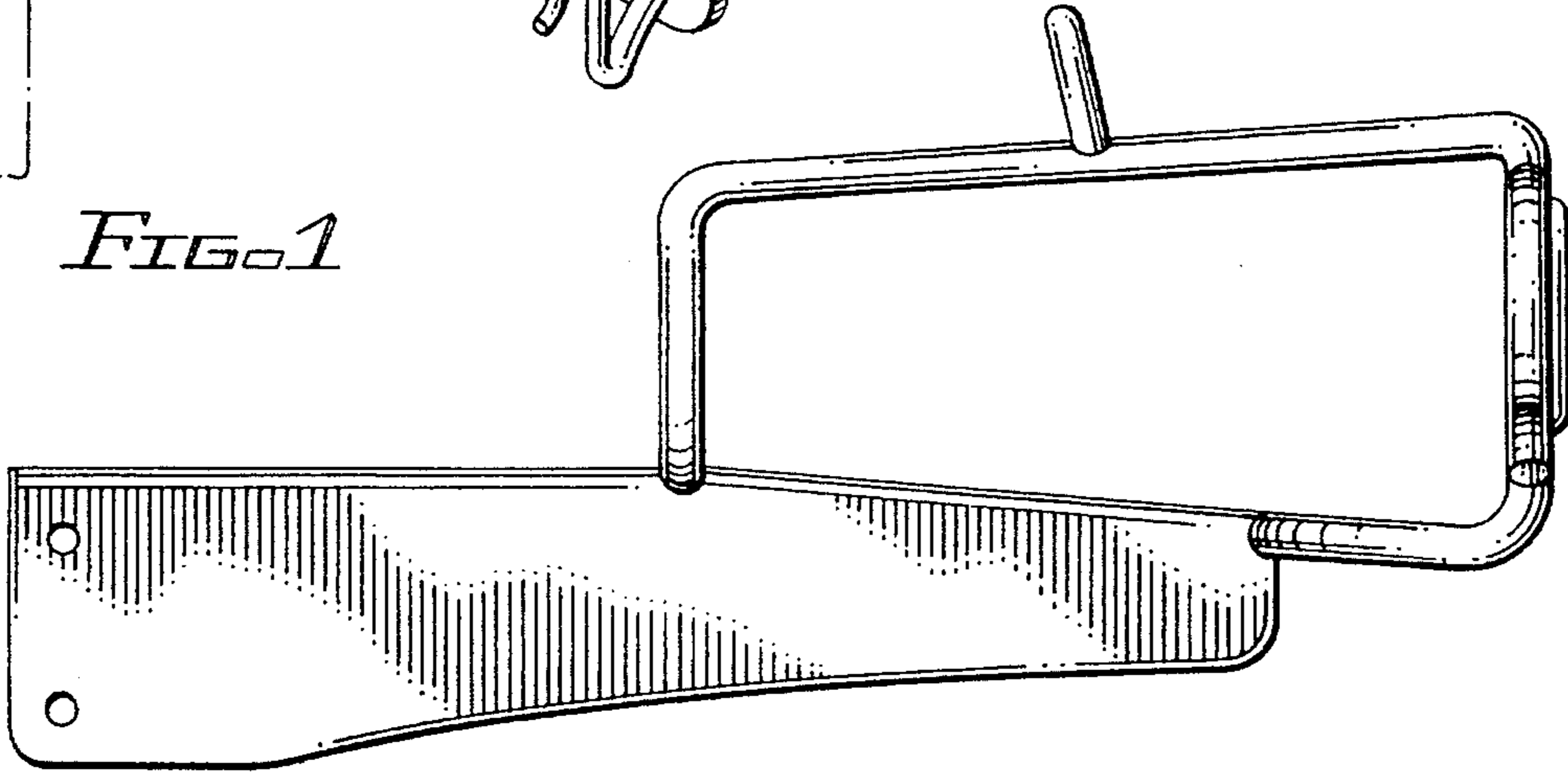


FIG. 2

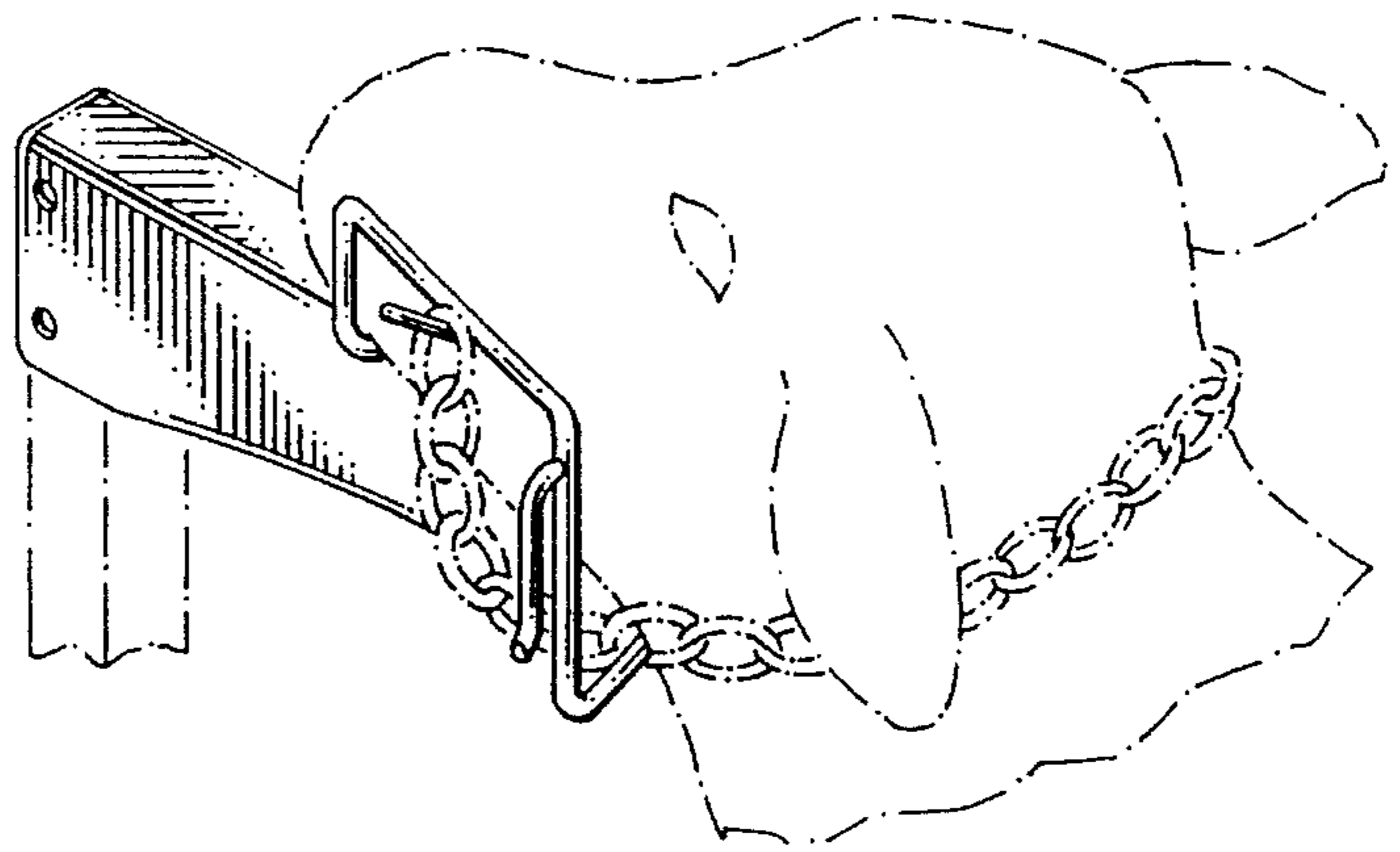


FIG. 8

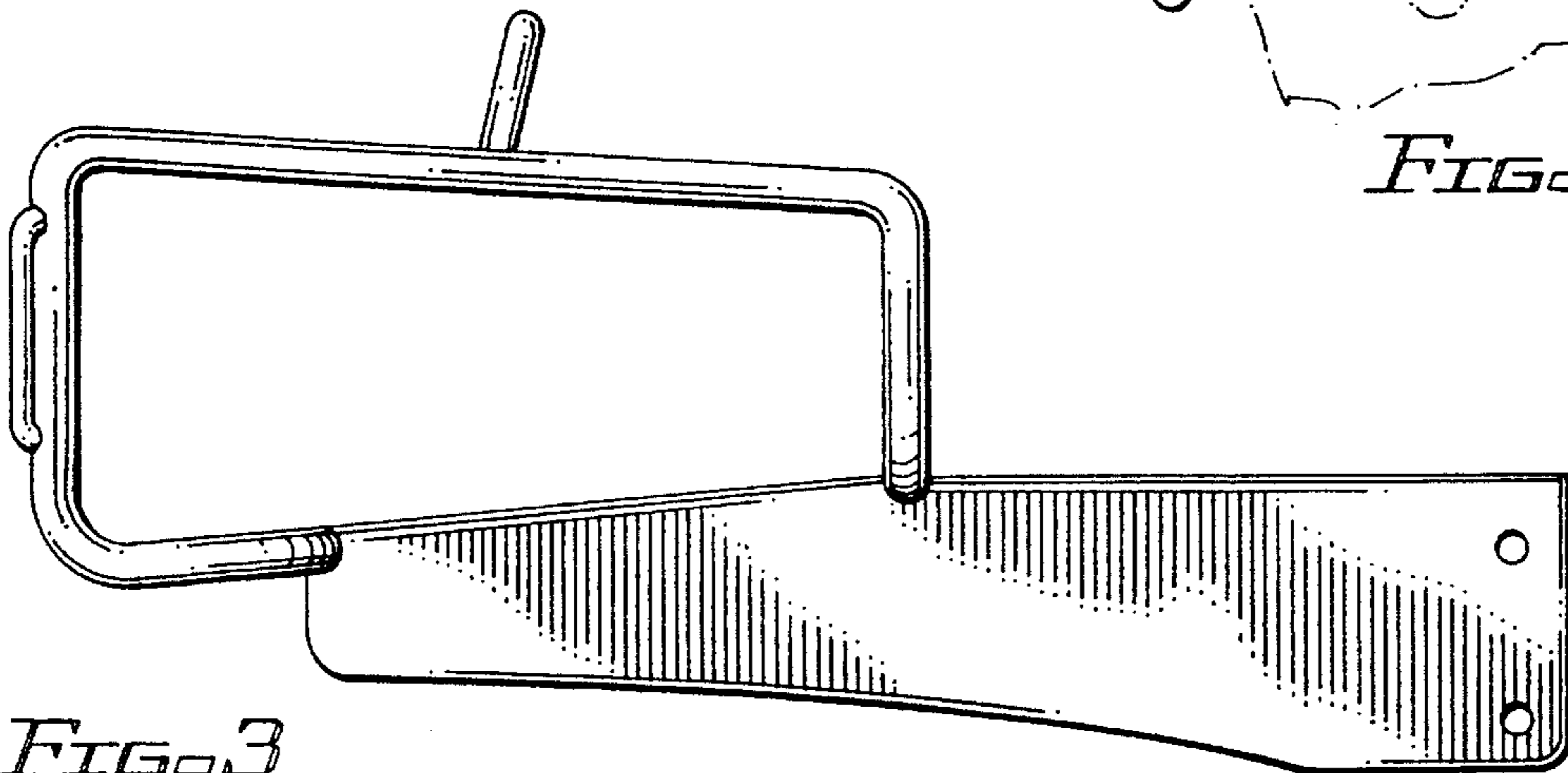


FIG. 3

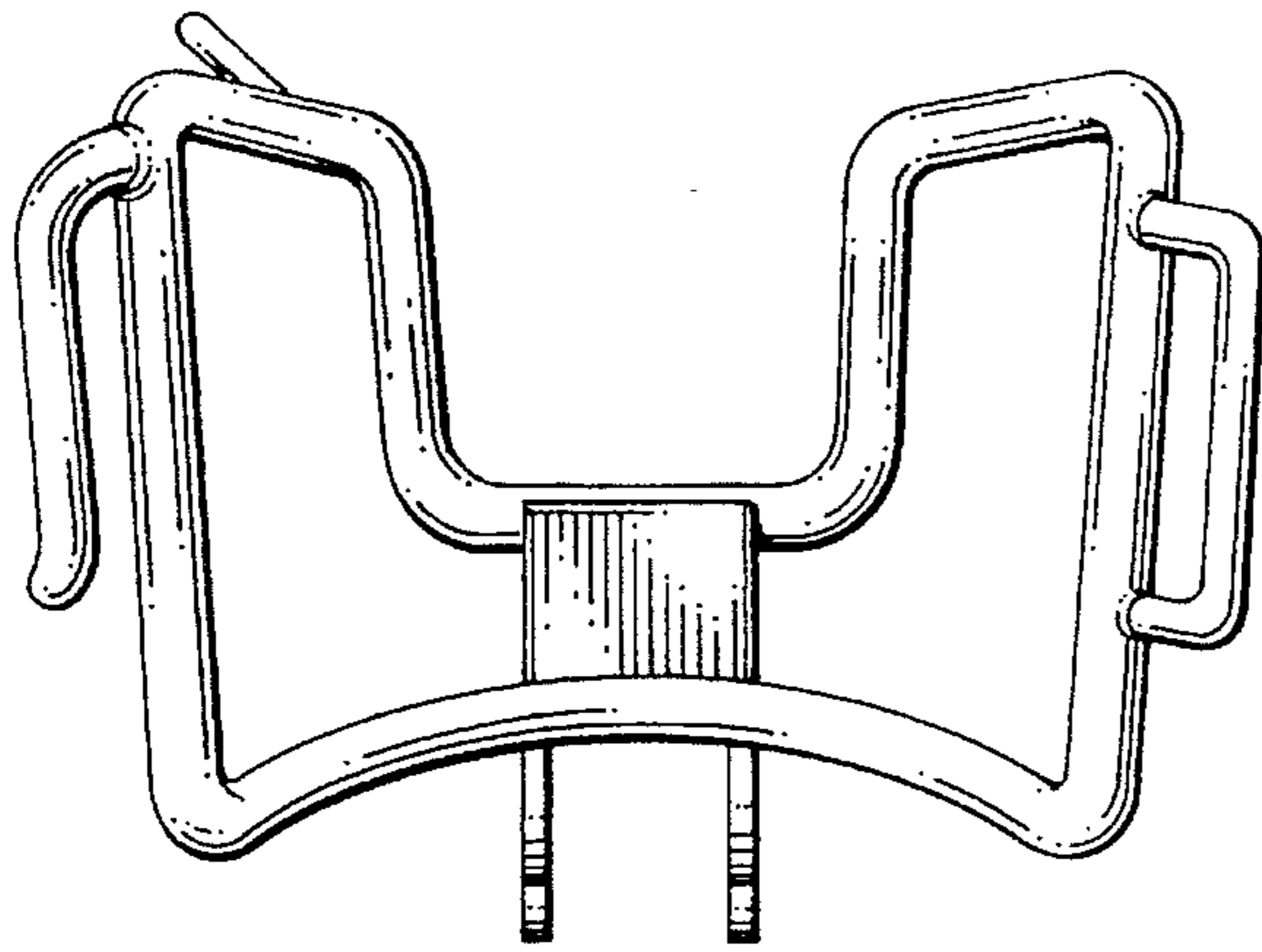


FIG. 4

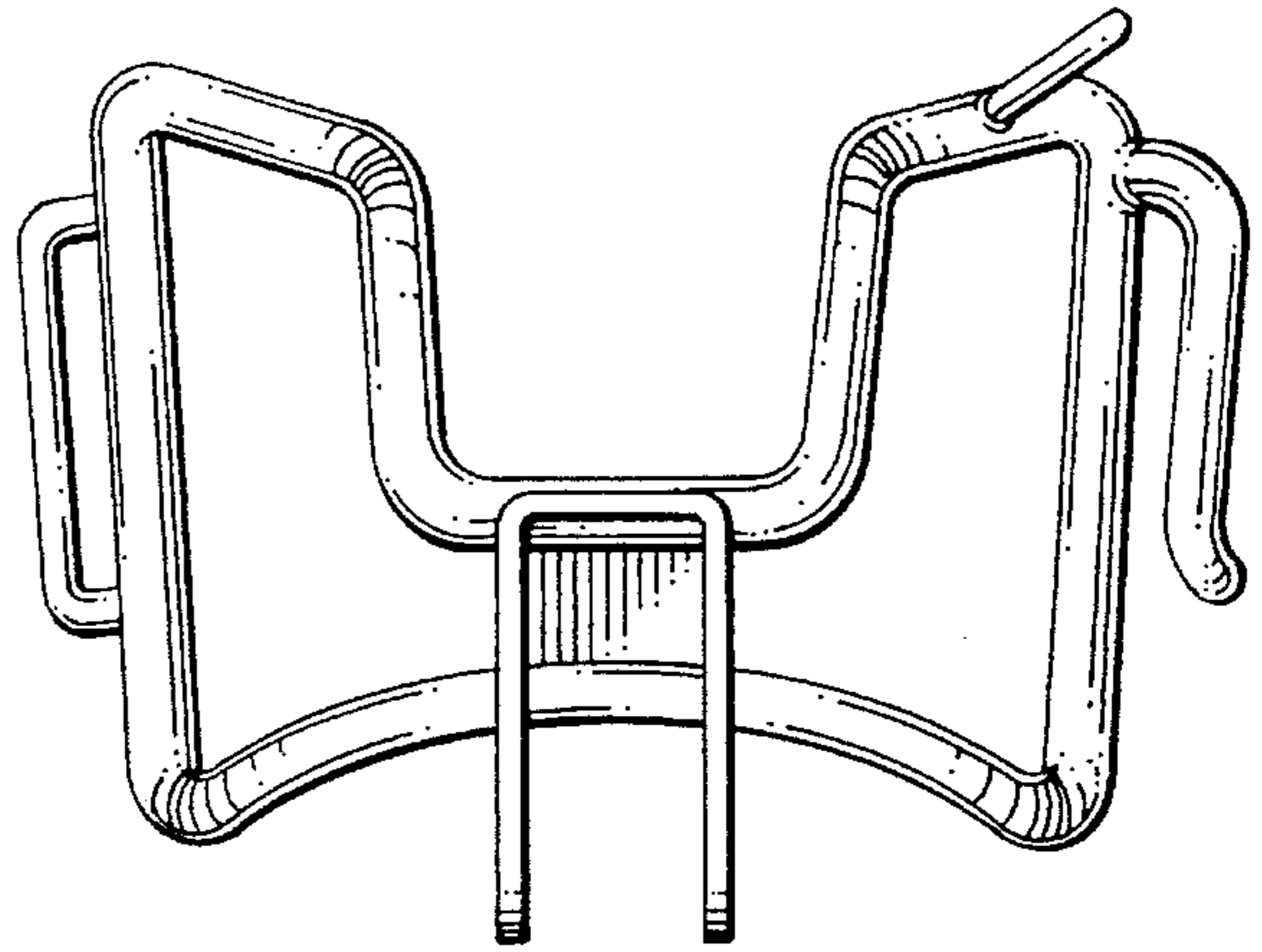


FIG. 5

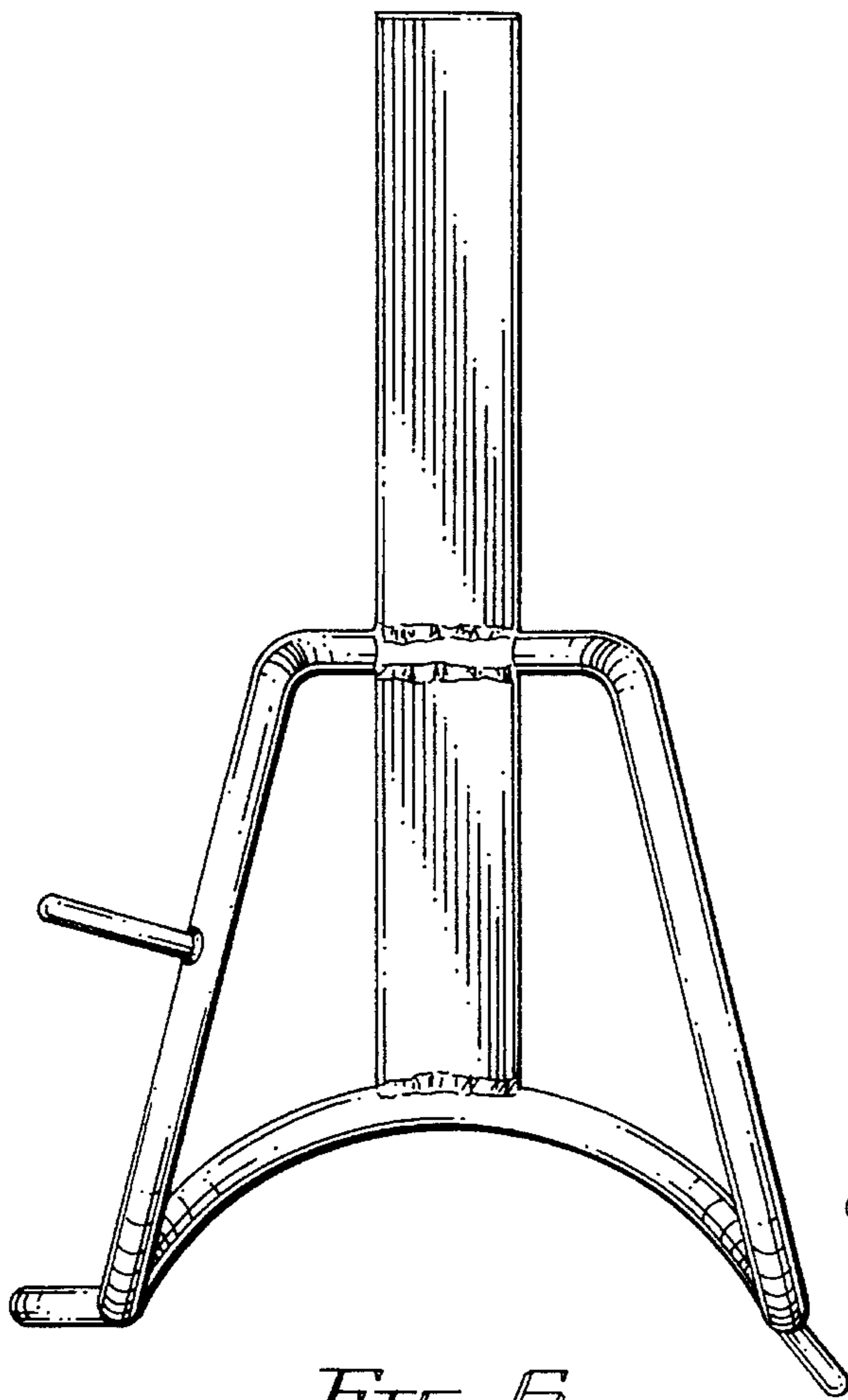


FIG. 6

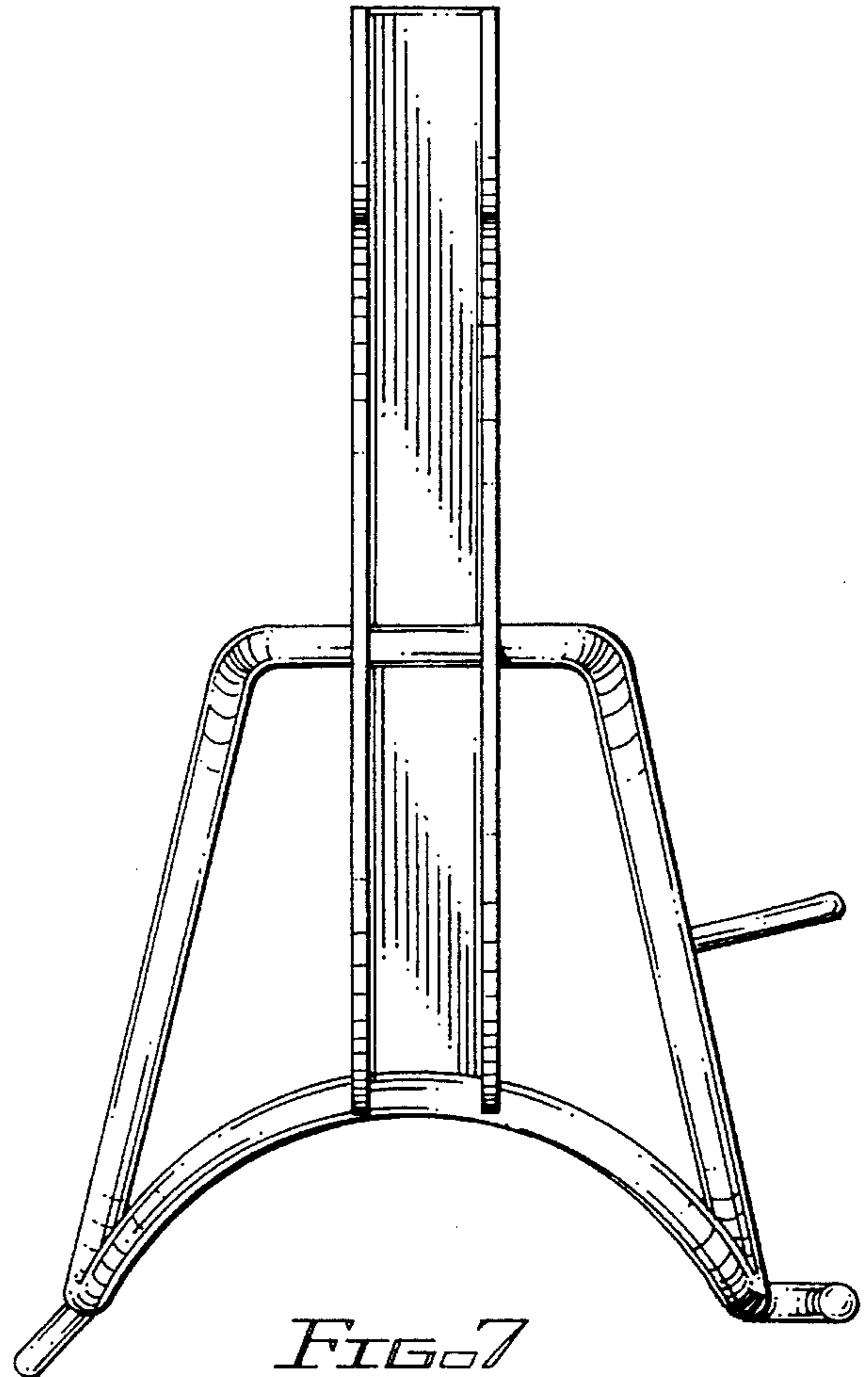


FIG. 7