



US00D378448S

# United States Patent [19]

[11] Patent Number: **Des. 378,448**

## Billings

[45] Date of Patent: **\*\*Mar. 11, 1997**

[54] **SADDLE TOTE**

*Attorney, Agent, or Firm*—Eckert Seamans Cherin & Mellott

[76] Inventor: **Robin Billings**, P.O. Box 148,  
Columbia, N.J. 07832

[57] **CLAIM**

[\*\*] Term: **14 Years**

The ornamental design for a saddle tote, as shown and described.

[21] Appl. No.: **53,623**

**DESCRIPTION**

[22] Filed: **Apr. 23, 1996**

FIG. 1 is a perspective view of a saddle tote showing my new design;

[52] U.S. Cl. .... **D30/143**; D30/108; D30/135

FIG. 2 is a perspective view from the opposite side;

[58] Field of Search ..... D30/143, 135,  
D30/134, 138, 199; 119/496, 482, 165;  
D30/108, 113; 54/44.1, 1; 211/13

FIG. 3 is a top plan view thereof;

FIG. 4 is a front elevational view thereof, the back being identical;

[56] **References Cited**

FIG. 5 is a side elevational view thereof, both sides being identical; and,

**U.S. PATENT DOCUMENTS**

FIG. 6 is a bottom plan view thereof.

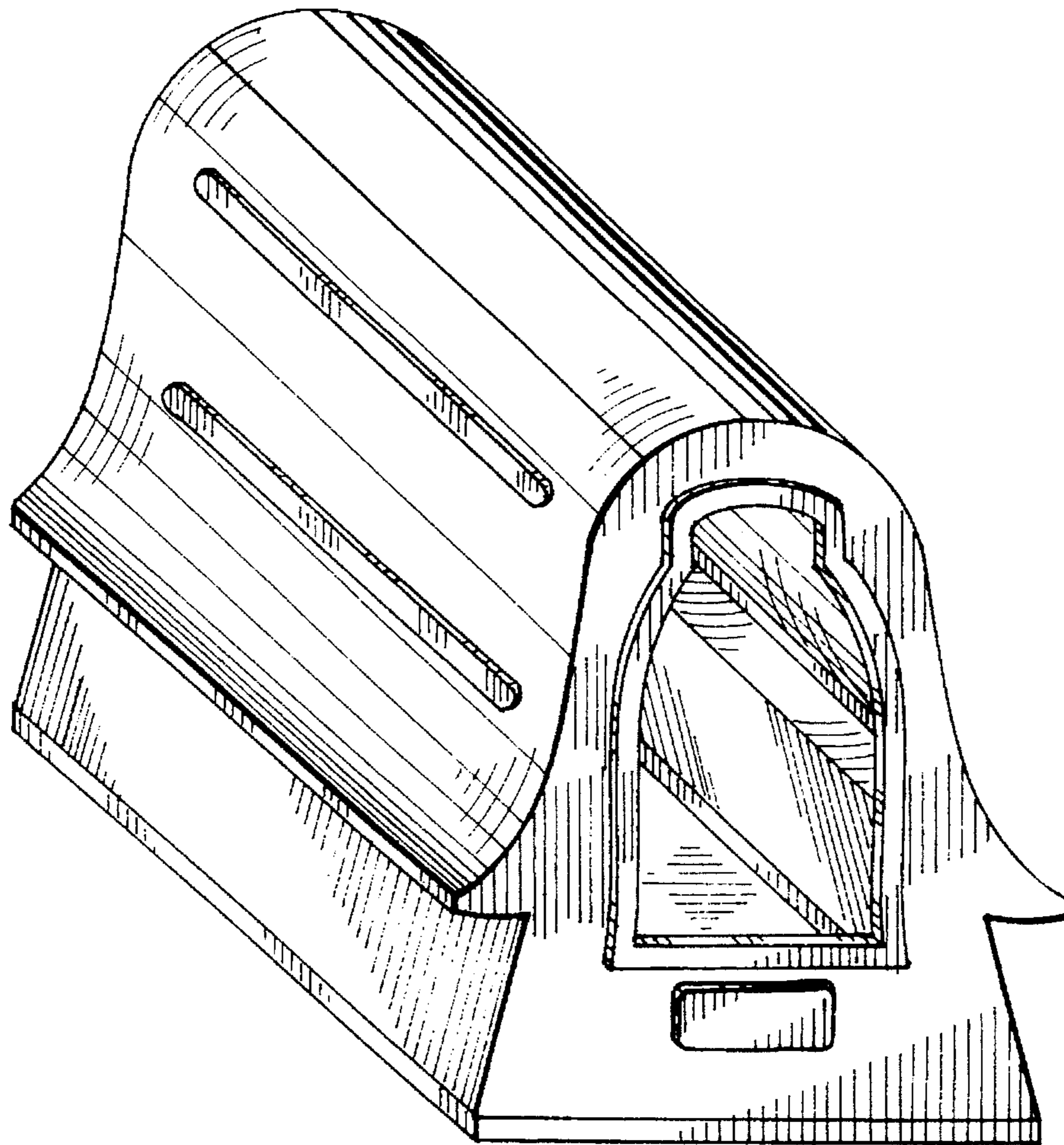
|            |        |             |         |
|------------|--------|-------------|---------|
| D. 227,269 | 6/1973 | Sedgewick   | 119/482 |
| D. 371,870 | 7/1996 | Sylvester   | D30/134 |
| 2,460,662  | 2/1949 | Van Voorhis | 119/482 |

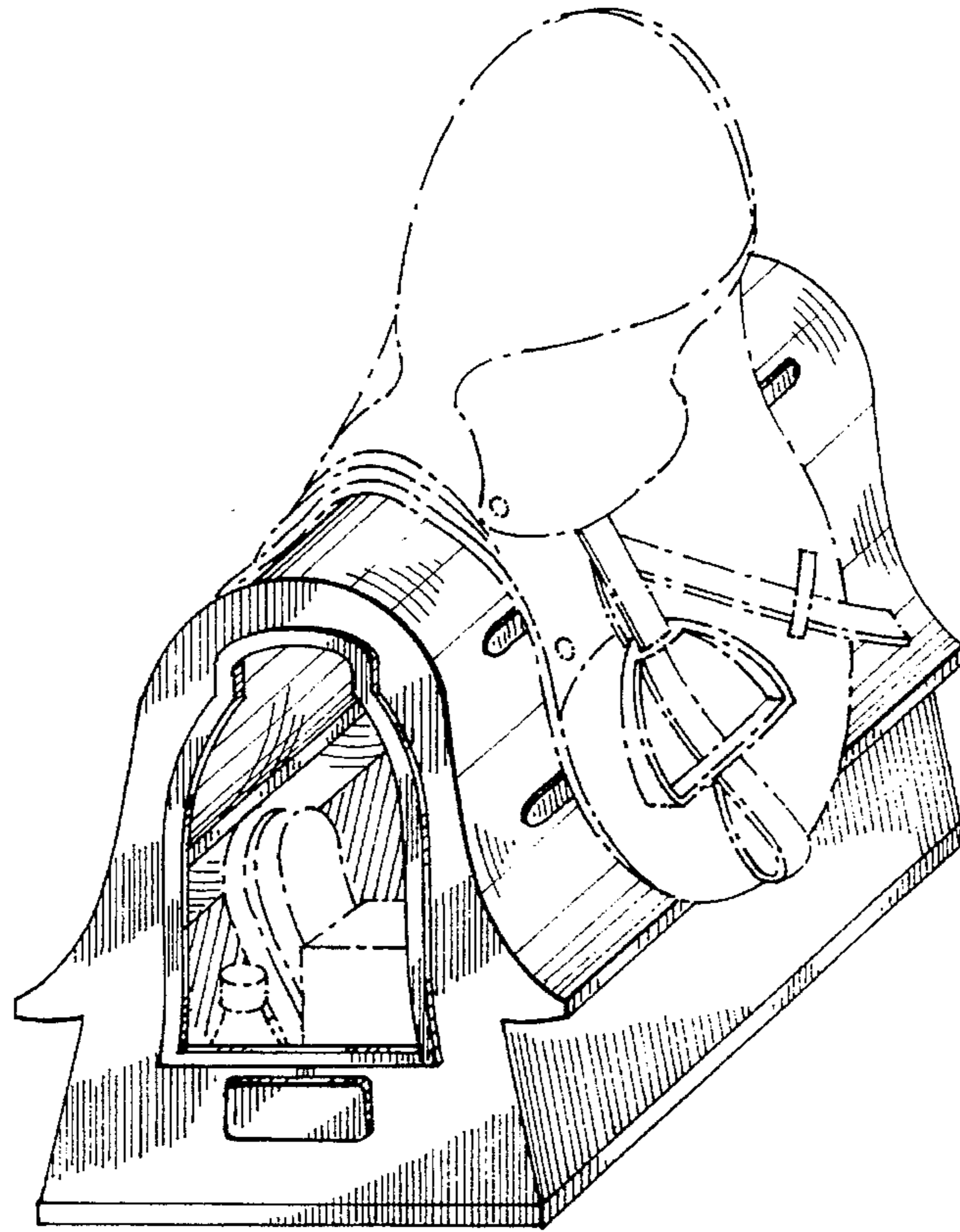
The broken line showing of the saddle and articles within in FIG. 1 is for illustrative purposes only and forms no part of the claimed design.

*Primary Examiner*—Louis S. Zarfes

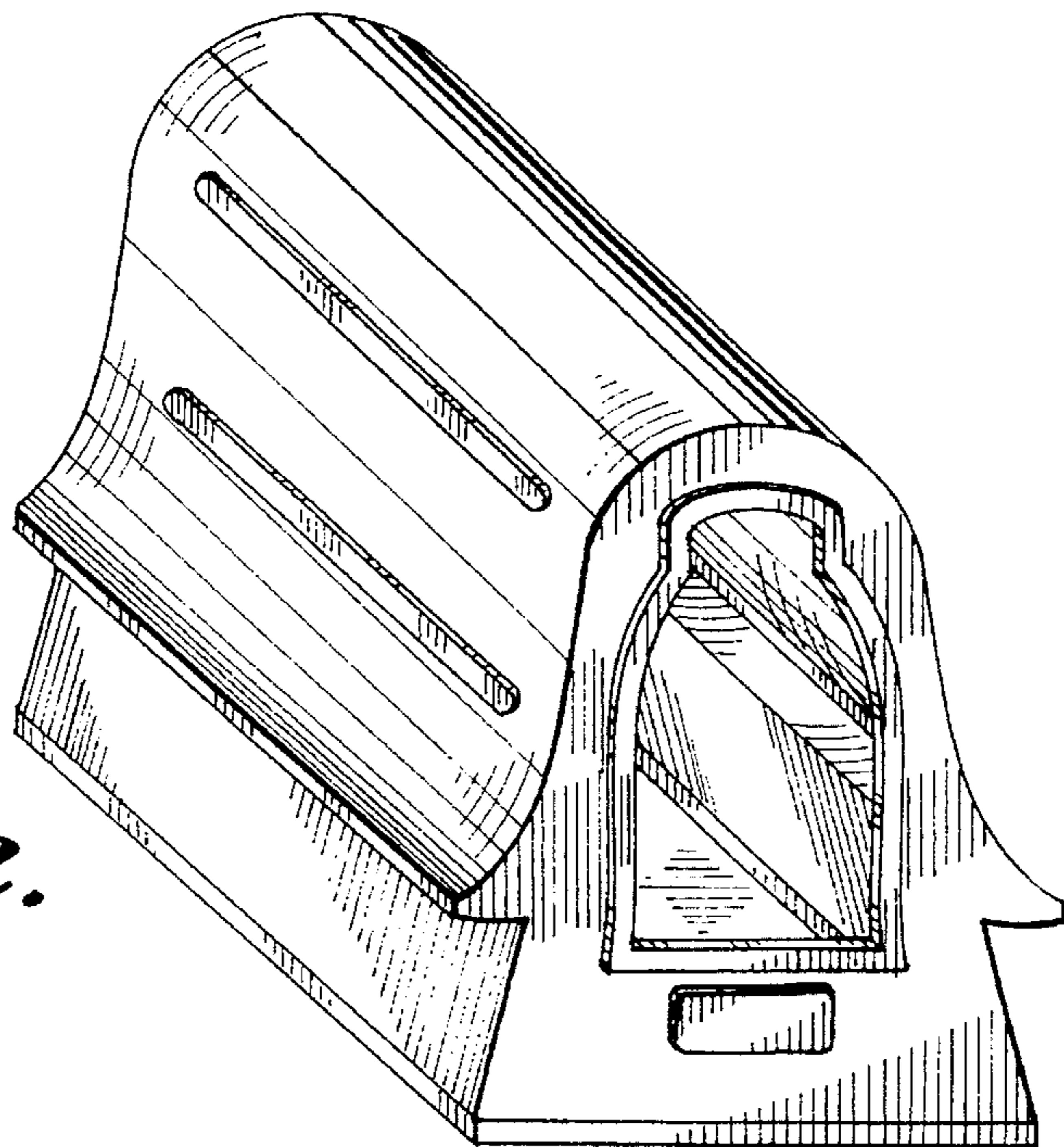
*Assistant Examiner*—G. Andoll

**1 Claim, 2 Drawing Sheets**



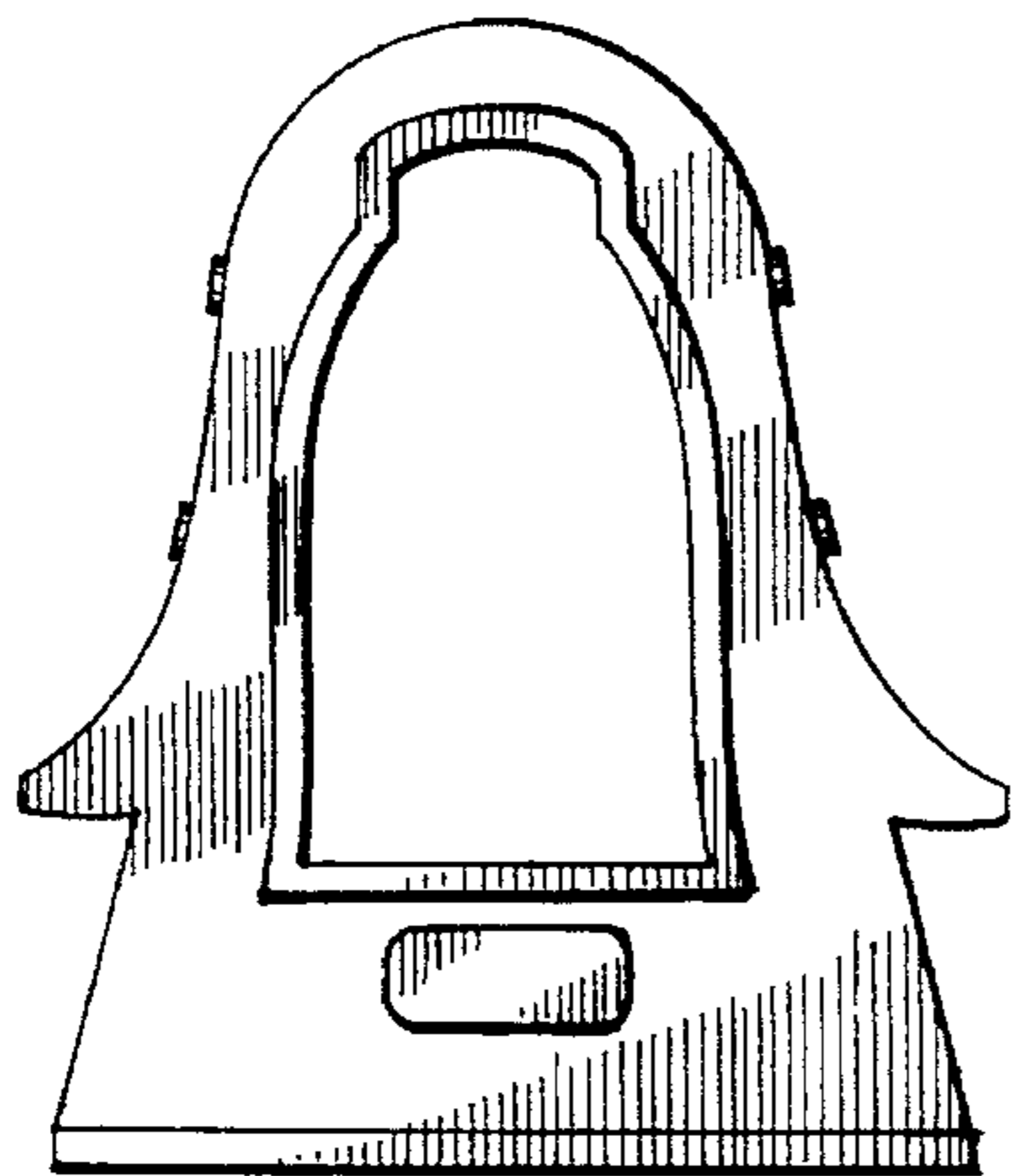
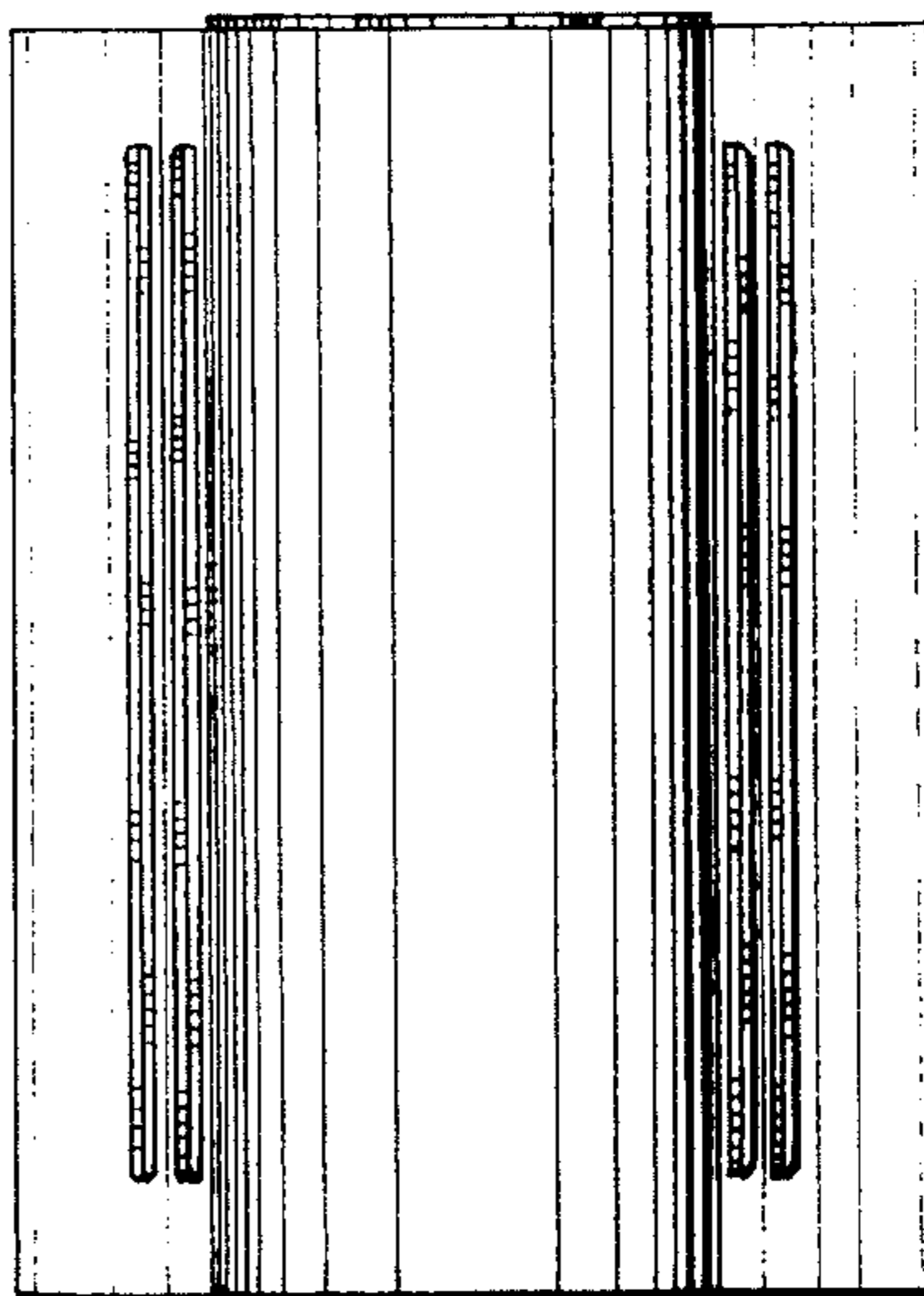


*Fig. 1.*

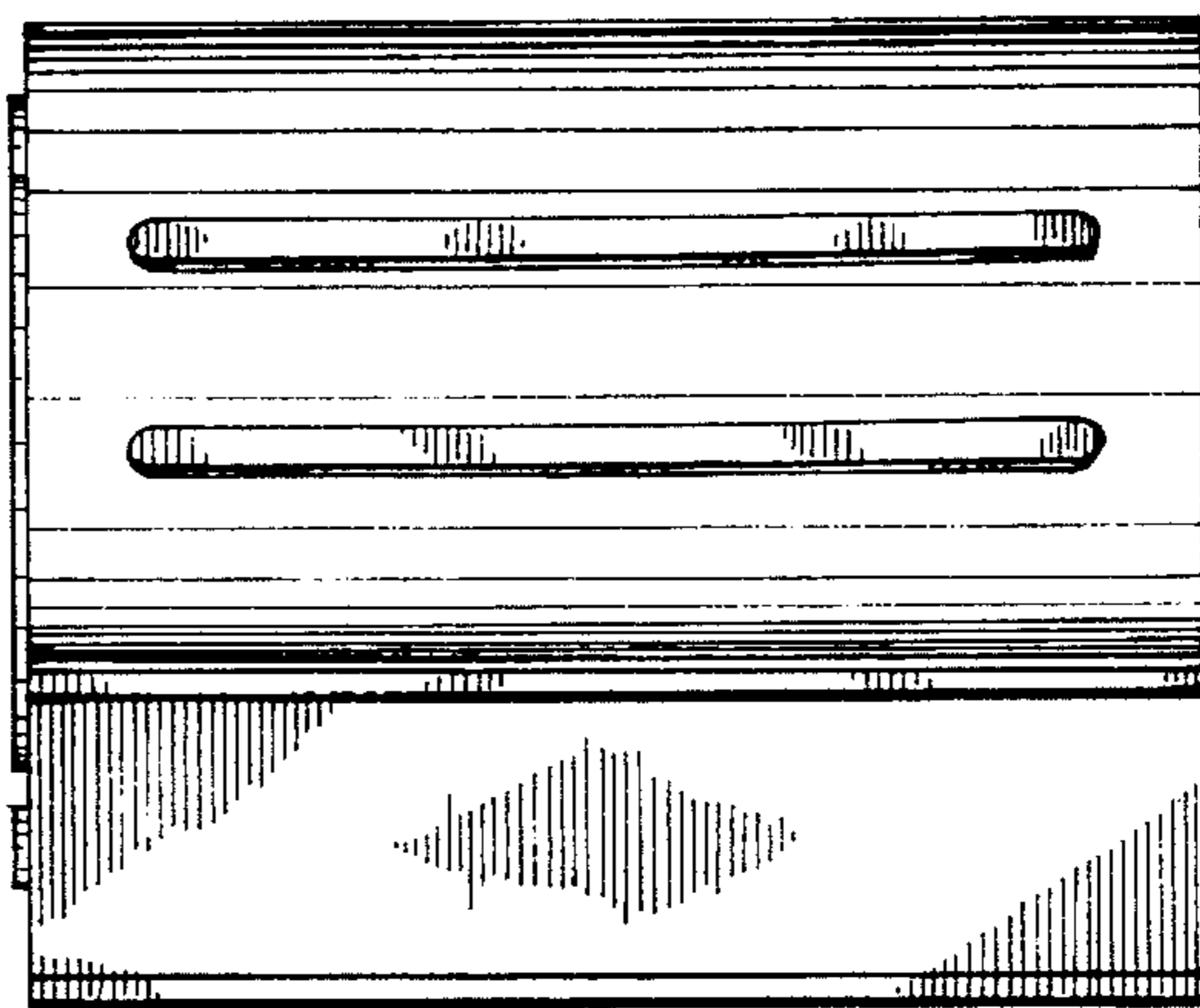


*Fig. 2.*

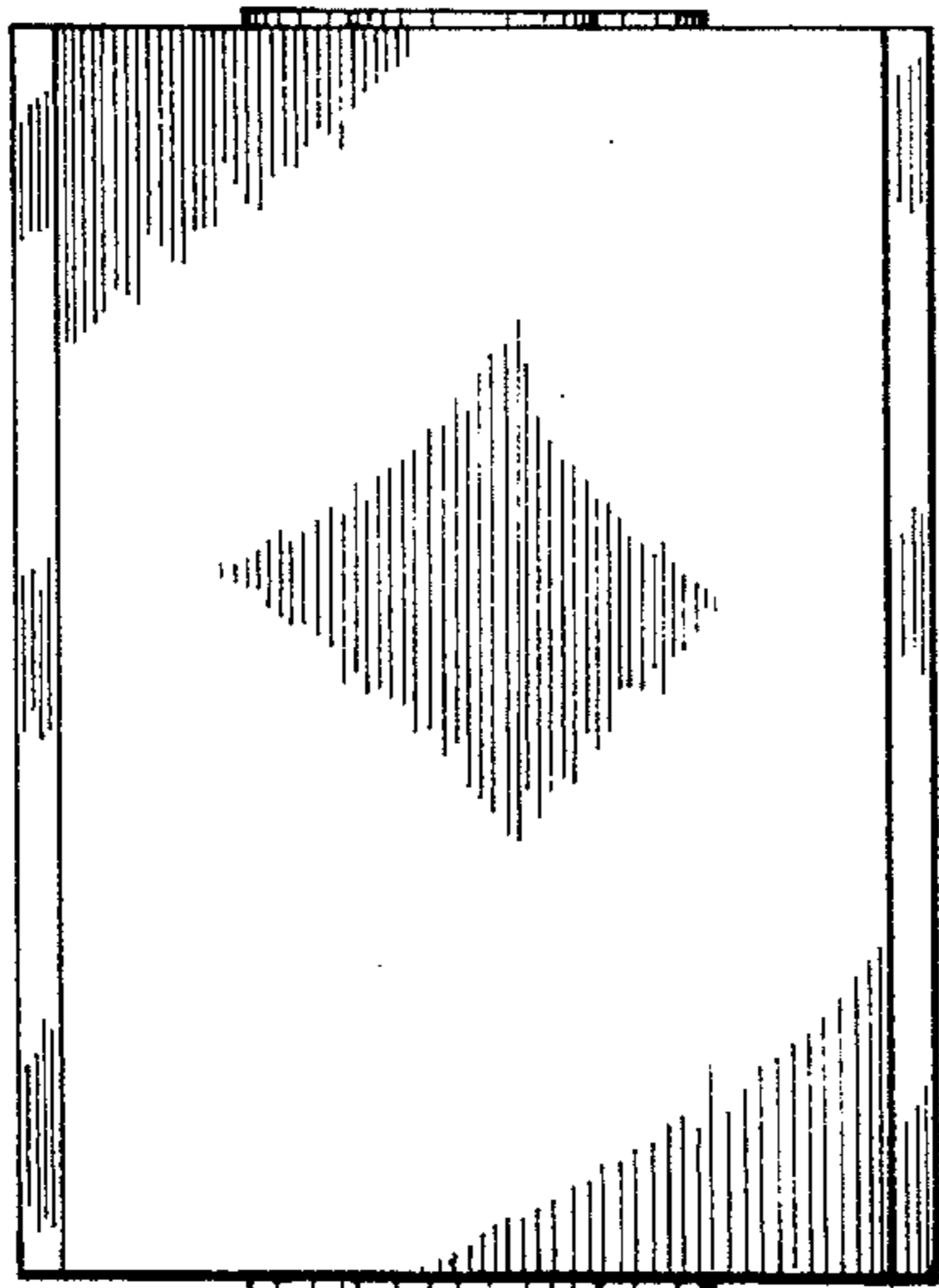
*Fig. 3.*



*Fig. 4.*



*Fig. 5.*



*Fig. 6.*

