



US00D378440S

United States Patent [19]

[11] **Patent Number:** **Des. 378,440**

Collette

[45] **Date of Patent:** ****Mar. 11, 1997**

[54] **ADJUSTABLE LIGHTER HOLDER**

4,082,496	4/1978	Johnson .	
4,363,432	12/1982	Warthen .	
4,486,169	12/1984	Lewis .	
4,898,532	2/1990	Bercik .	
5,181,847	1/1993	Da Silva	431/343
5,409,374	4/1995	Liard	D27/142

[76] Inventor: **Shannon J. Collette**, 2032 Midvale Ave., Los Angeles, Calif. 90025

[**] Term: **14 Years**

[21] Appl. No.: **40,703**

Primary Examiner—Ralf Seifert

[22] Filed: **Jun. 23, 1995**

[57] **CLAIM**

[52] **U.S. Cl.** **D27/142**

The ornamental design for a adjustable lighter holder, as shown.

[58] **Field of Search** D3/207-212; 206/87, 206/94; 224/222; D27/141, 142; 70/456, 456 B, 458, 457; 40/1.5; 63/1.1, 2; 431/253, 343

DESCRIPTION

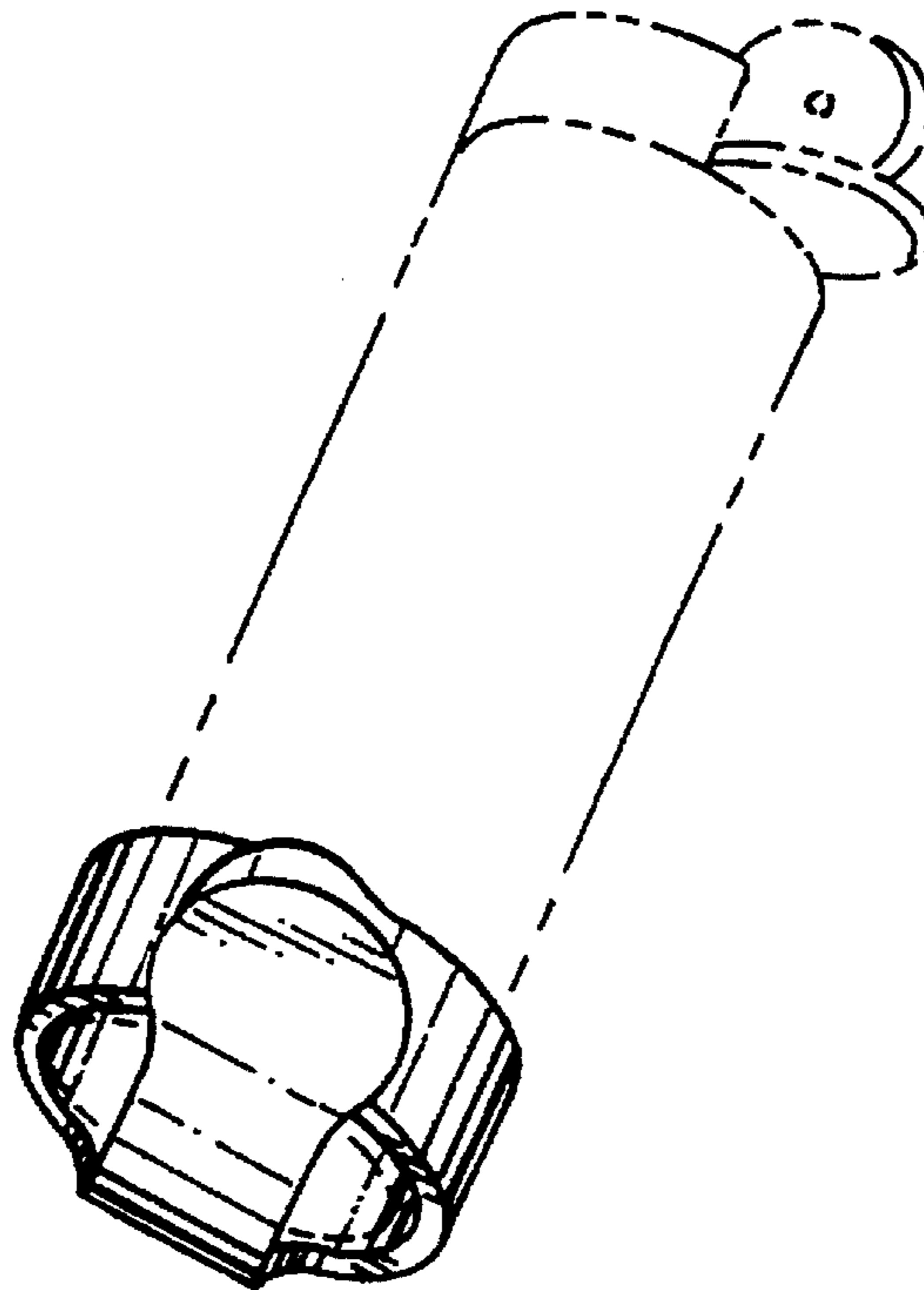
[56] **References Cited**

U.S. PATENT DOCUMENTS

D. 201,016	5/1965	Holland	D17/14
D. 246,875	1/1978	Ellison .	
D. 309,060	7/1990	Parachinni	D3/212
D. 313,085	12/1990	Eisenbraun	D27/142
D. 324,955	3/1992	Coffey	D3/62
833,743	10/1906	Kato, Jr.	63/2 X

FIG. 1 is a front elevational view of an adjustable lighter holder showing my new design; FIG. 2 is a rear elevational view; FIG. 3 is a right side elevational view; FIG. 4 is a front elevational view, shown in position of use; FIG. 5 is a front perspective view of FIG. 1; and, FIG. 6 is a perspective view shown in a position of use. The broken line showing of a lighter is for illustrative purposes only and forms no part of the claimed design.

1 Claim, 1 Drawing Sheet



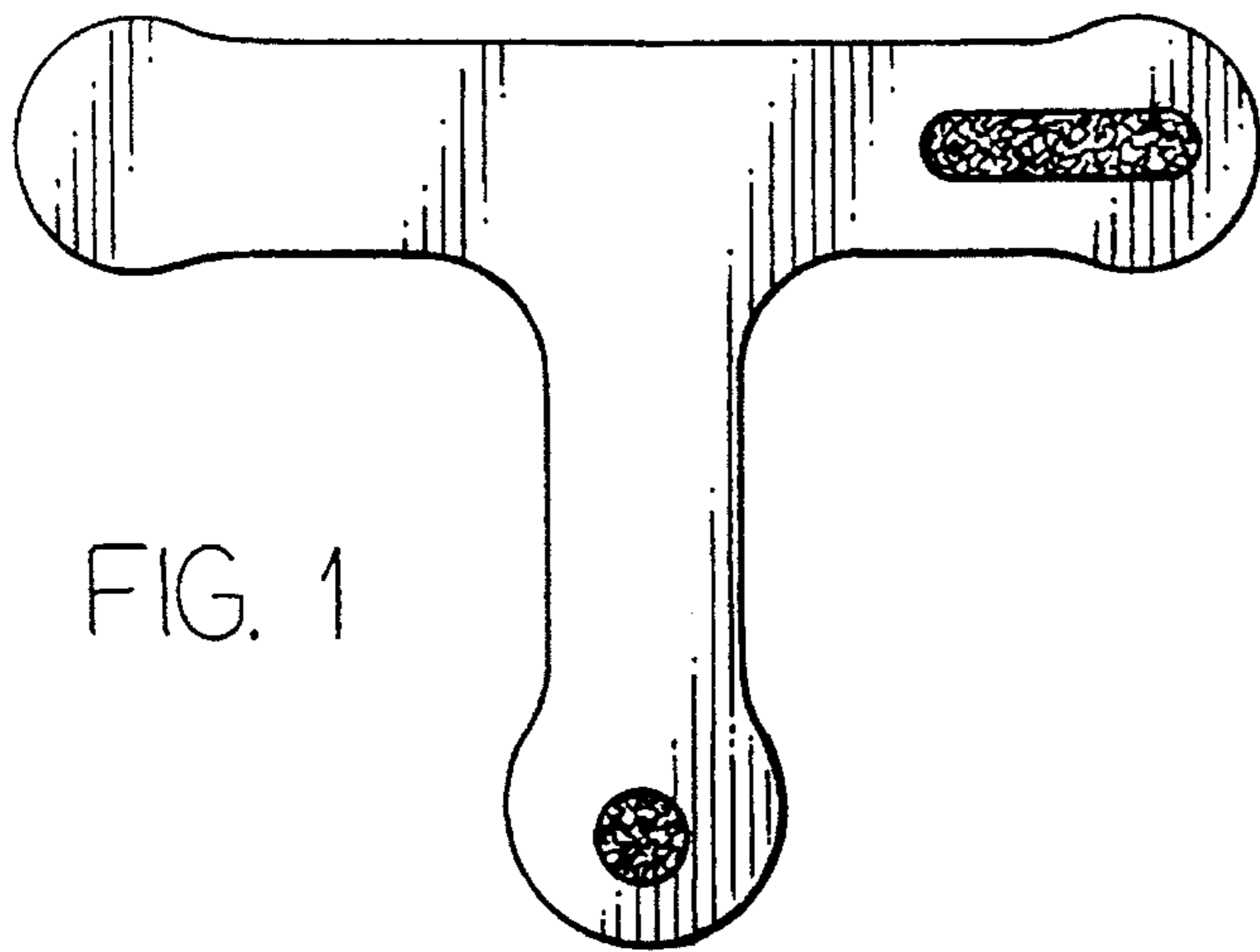


FIG. 1



FIG. 3

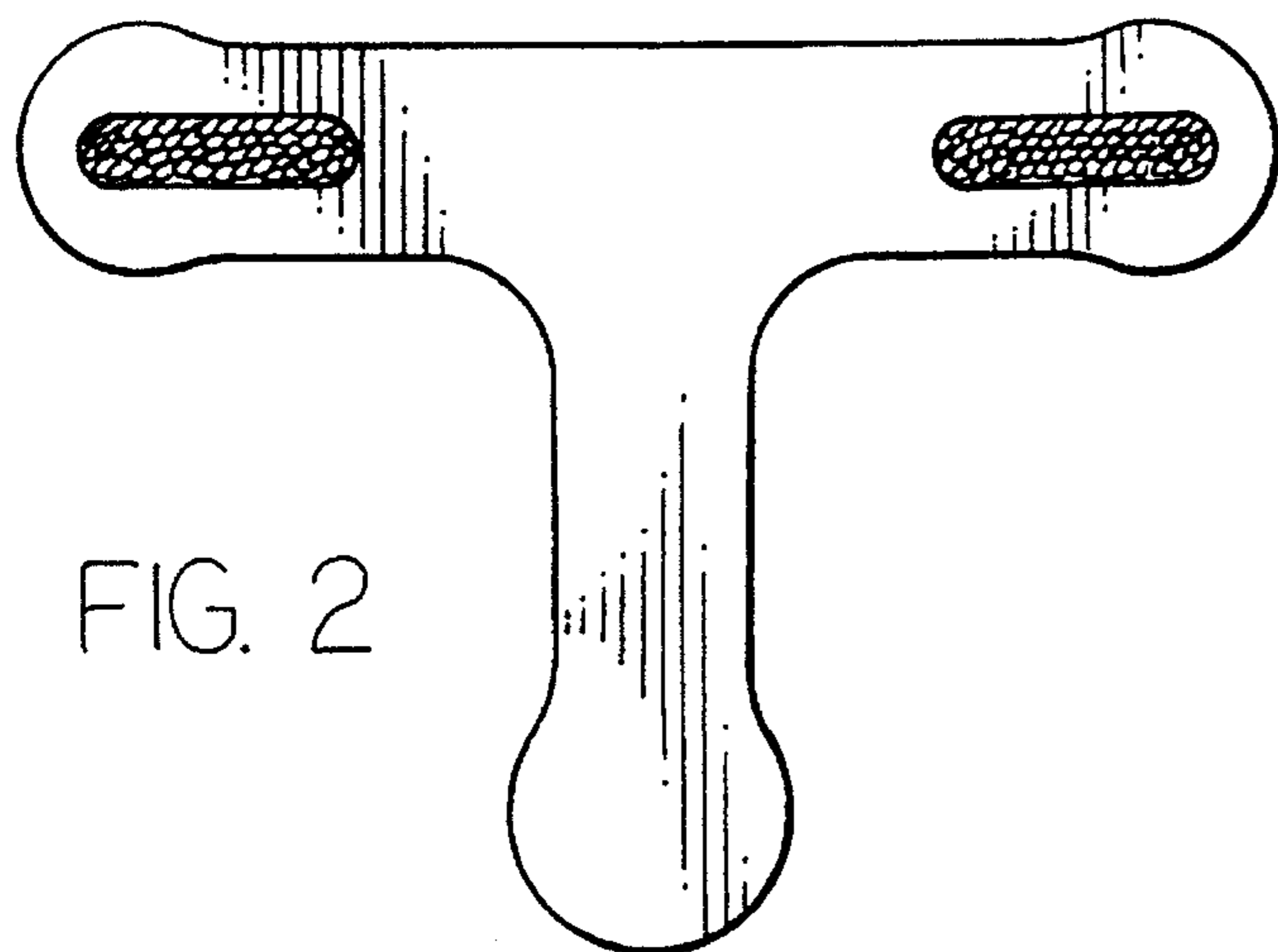


FIG. 2

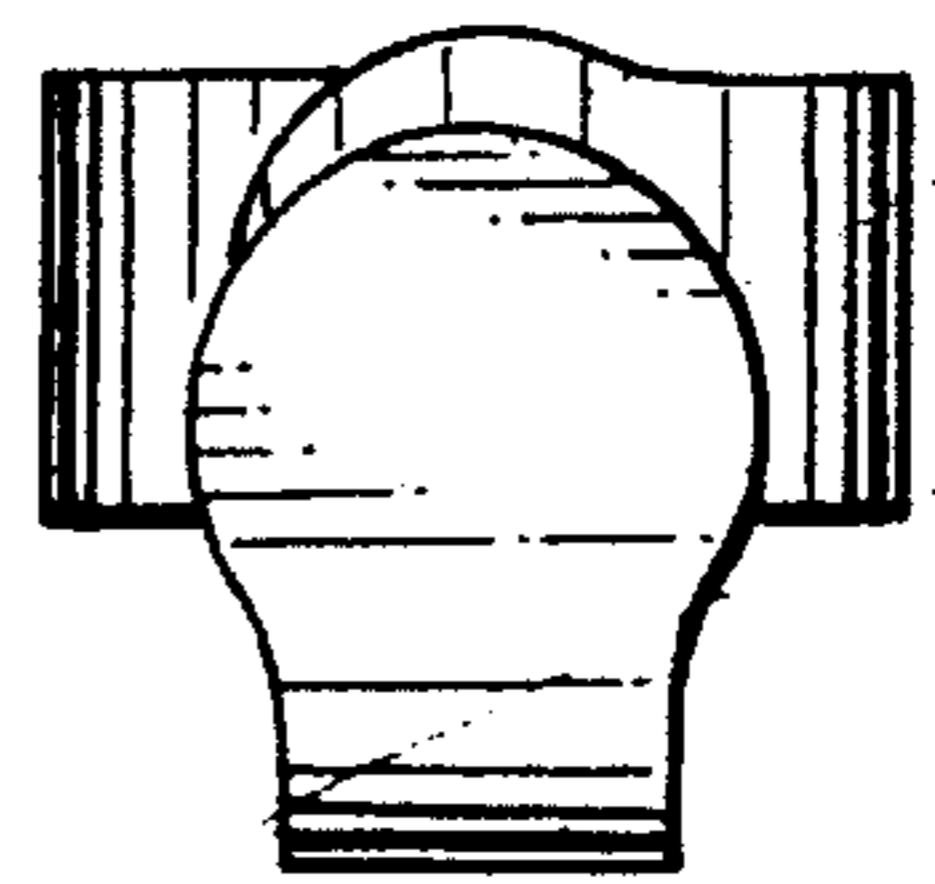


FIG. 4

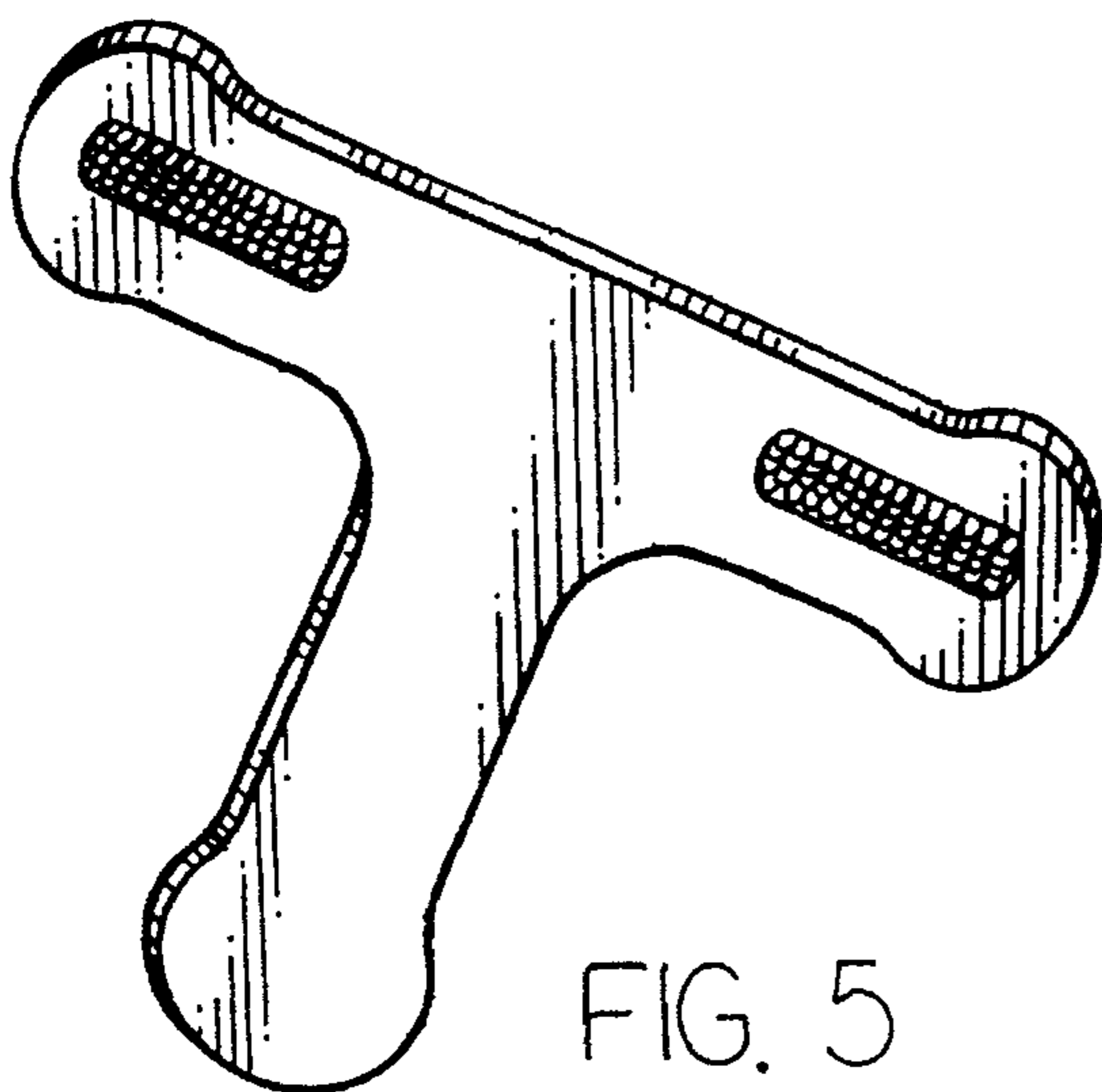


FIG. 5

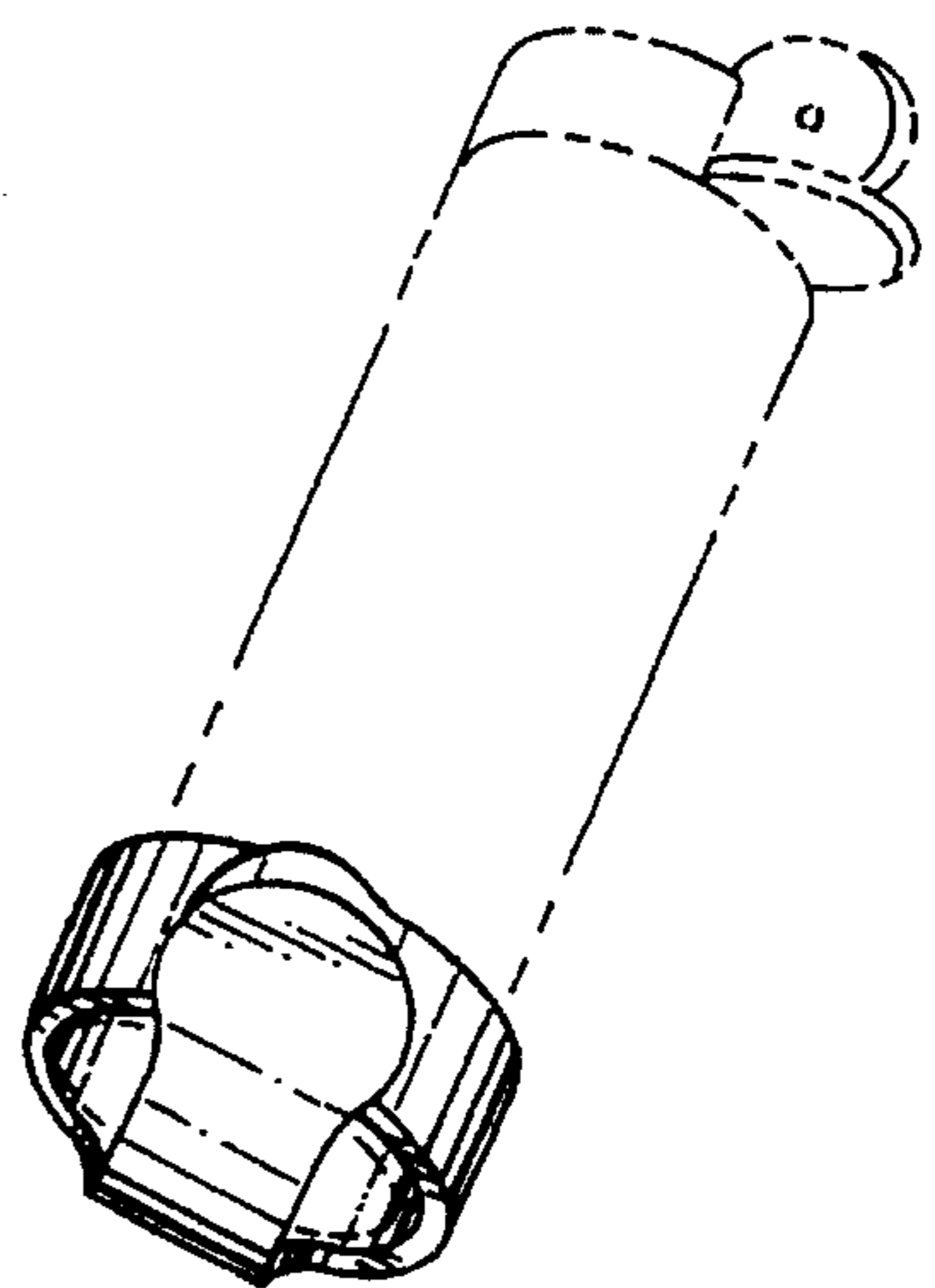


FIG. 6