



US00D378437S

United States Patent [19]

[11] Patent Number: **Des. 378,437**

Tognú

[45] Date of Patent: ****Mar. 11, 1997**

[54] **OUTDOOR LAMP**

Attorney, Agent, or Firm—Laff, Whitesel, Conte & Saret, Ltd.

[75] Inventor: **Angelo Tognú**, Lumezzane S. Appollonio, Italy

[57] **CLAIM**

[73] Assignee: **Garden Light S.R.L.**, Brescia, Italy

The ornamental design for an outdoor lamp, as shown and described.

[**] Term: **14 Years**

[21] Appl. No.: **43,528**

DESCRIPTION

[22] Filed: **Sep. 6, 1995**

FIG. 1 is a front elevation view of the outdoor lamp;

[30] **Foreign Application Priority Data**

FIG. 2 is a rear elevation view thereof;

May 2, 1995 [IT] Italy MI9500244

[52] U.S. Cl. **D26/92**

FIG. 3 is a right elevation view thereof;

[58] Field of Search D26/67, 68, 69, D26/70, 71, 72, 80-92; 362/147, 431, 432

FIG. 4 is a left elevation view thereof;

[56] **References Cited**

FIG. 5 is a bottom plan view thereof; and,

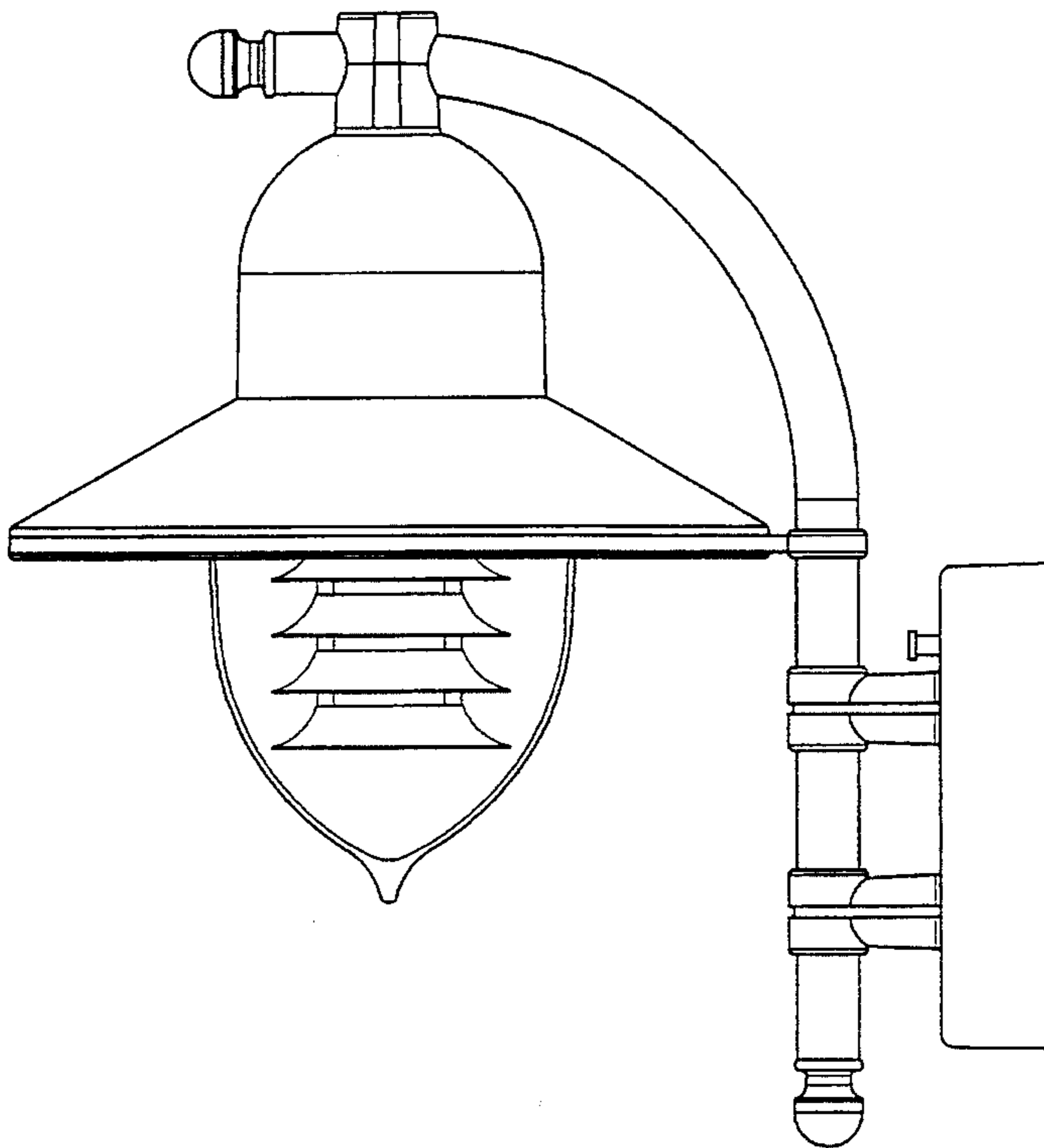
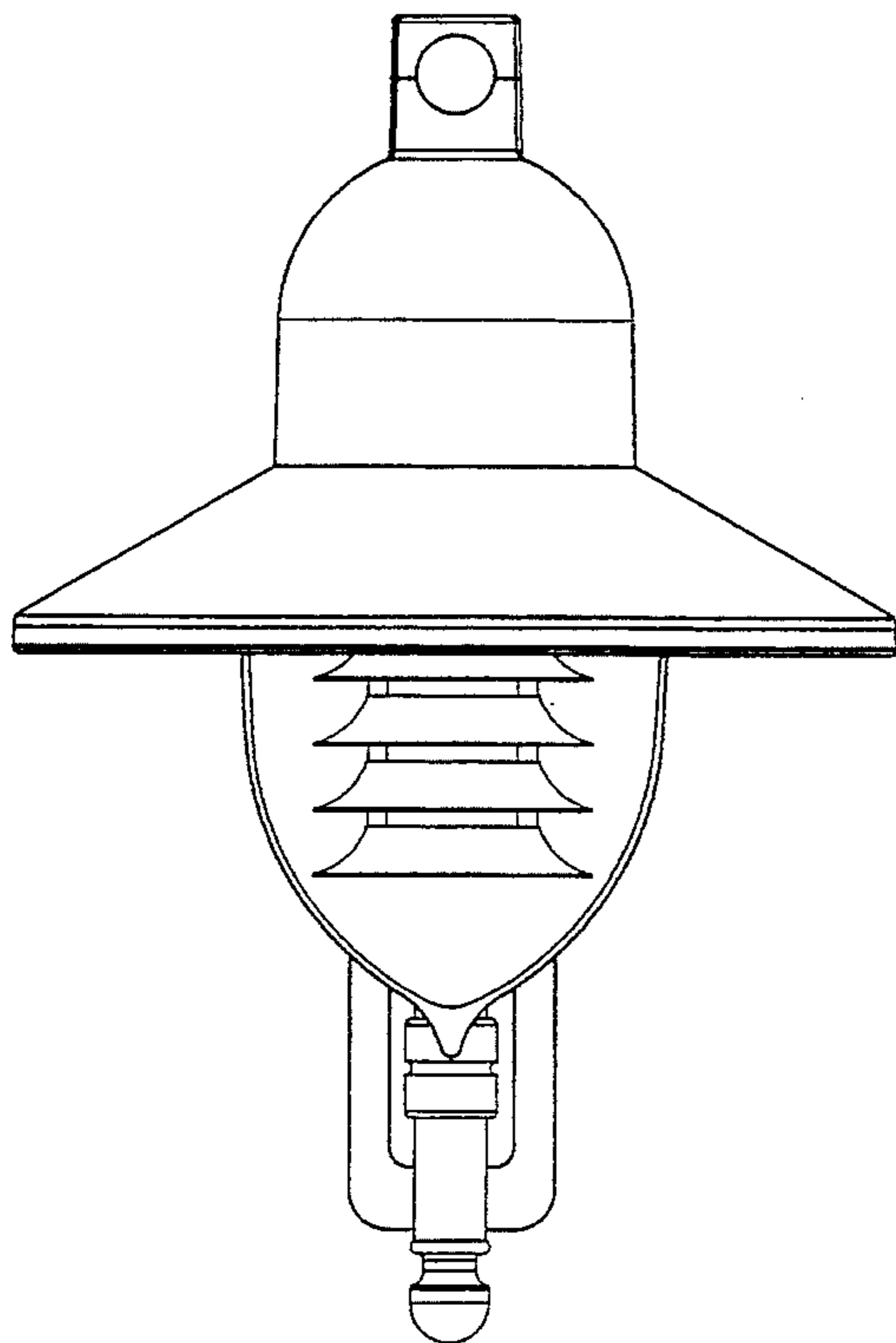
PUBLICATIONS

FIG. 6 is a top plan view thereof.

Progressive Architecture, Jan. 1987, p. 13, Kidde Lighting, Exterior Fixture (Bottom, Right).

Primary Examiner—Susan J. Lucas

1 Claim, 6 Drawing Sheets



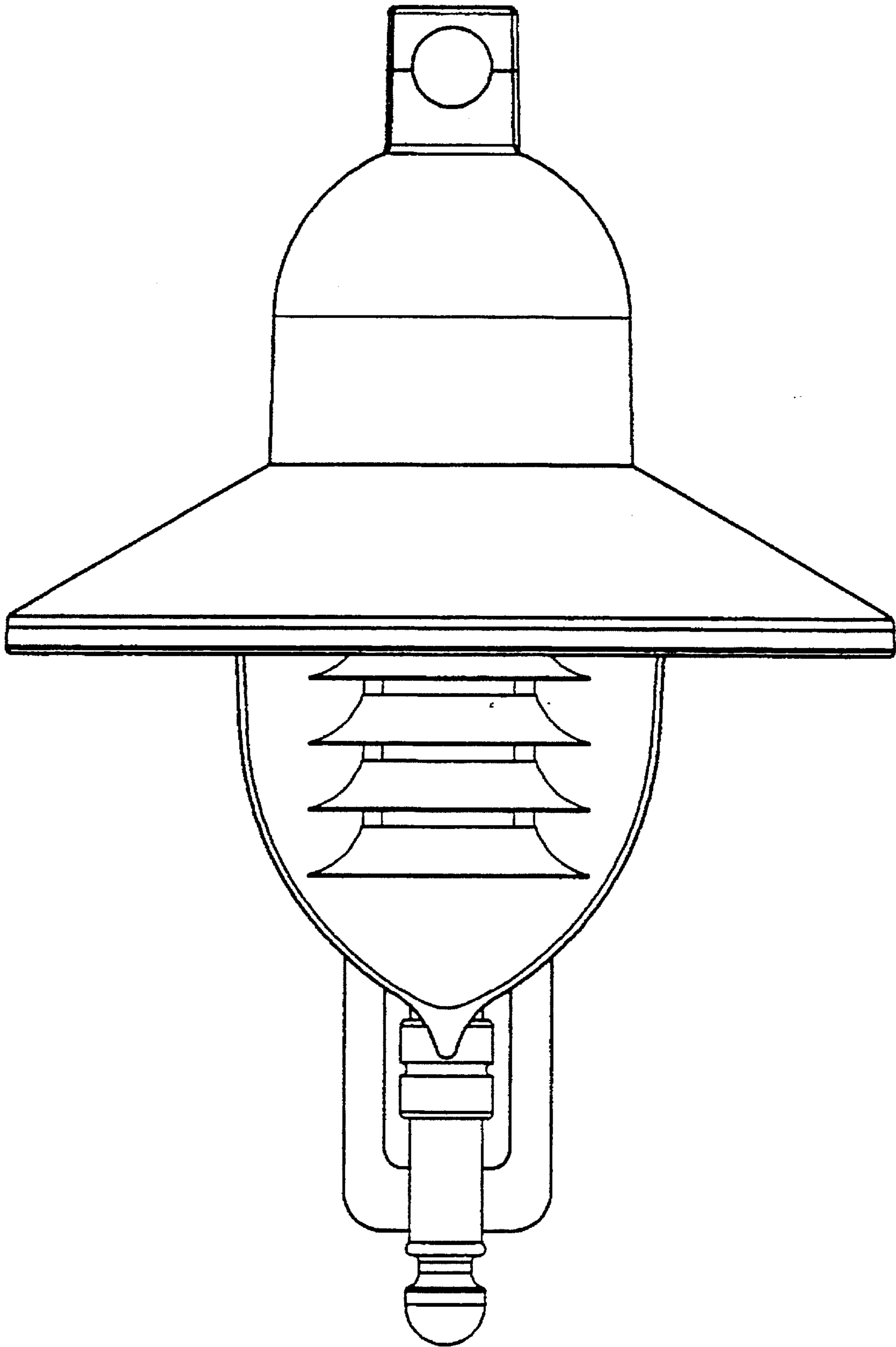


FIG 1

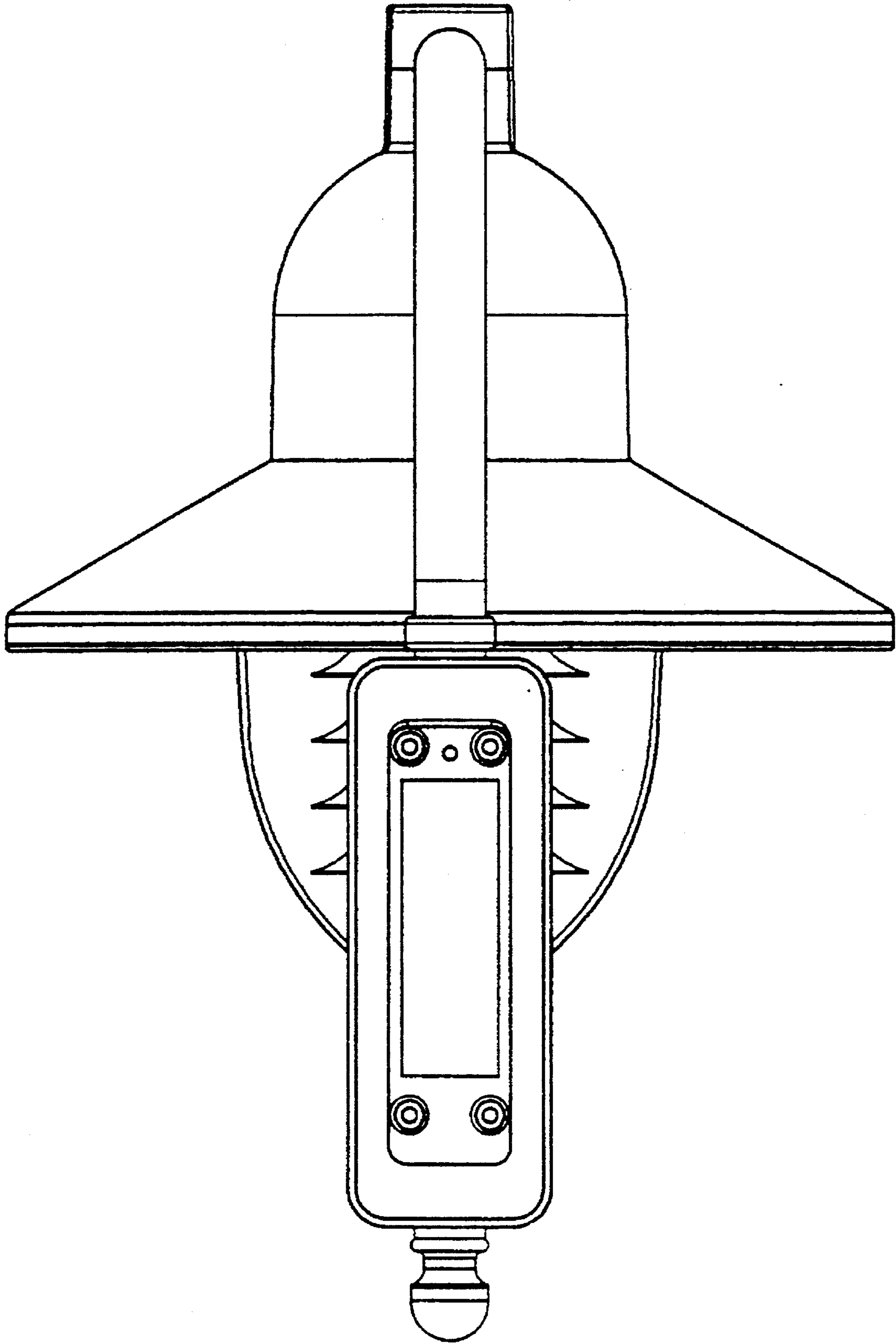


FIG 2

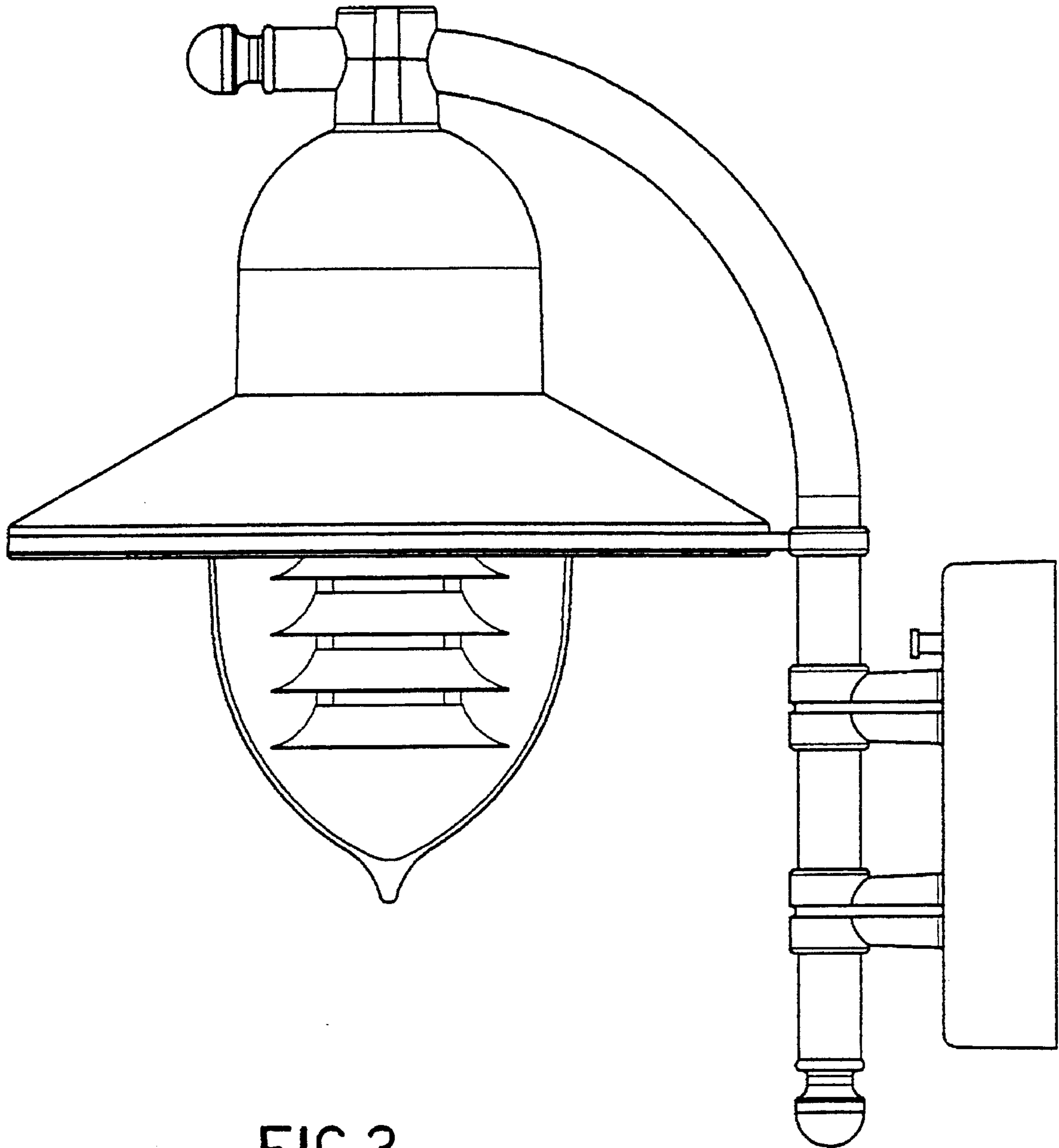


FIG 3

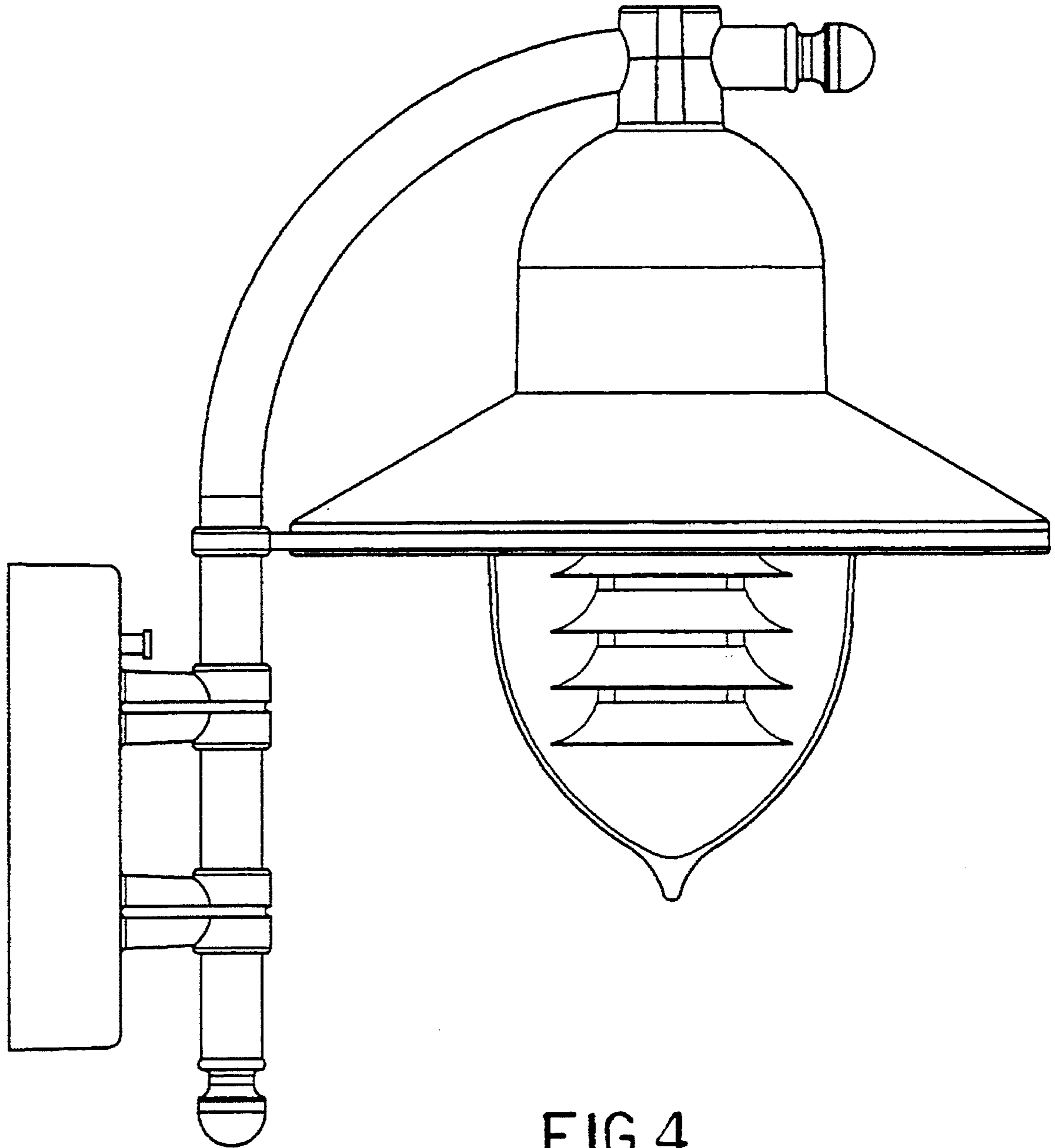


FIG 4

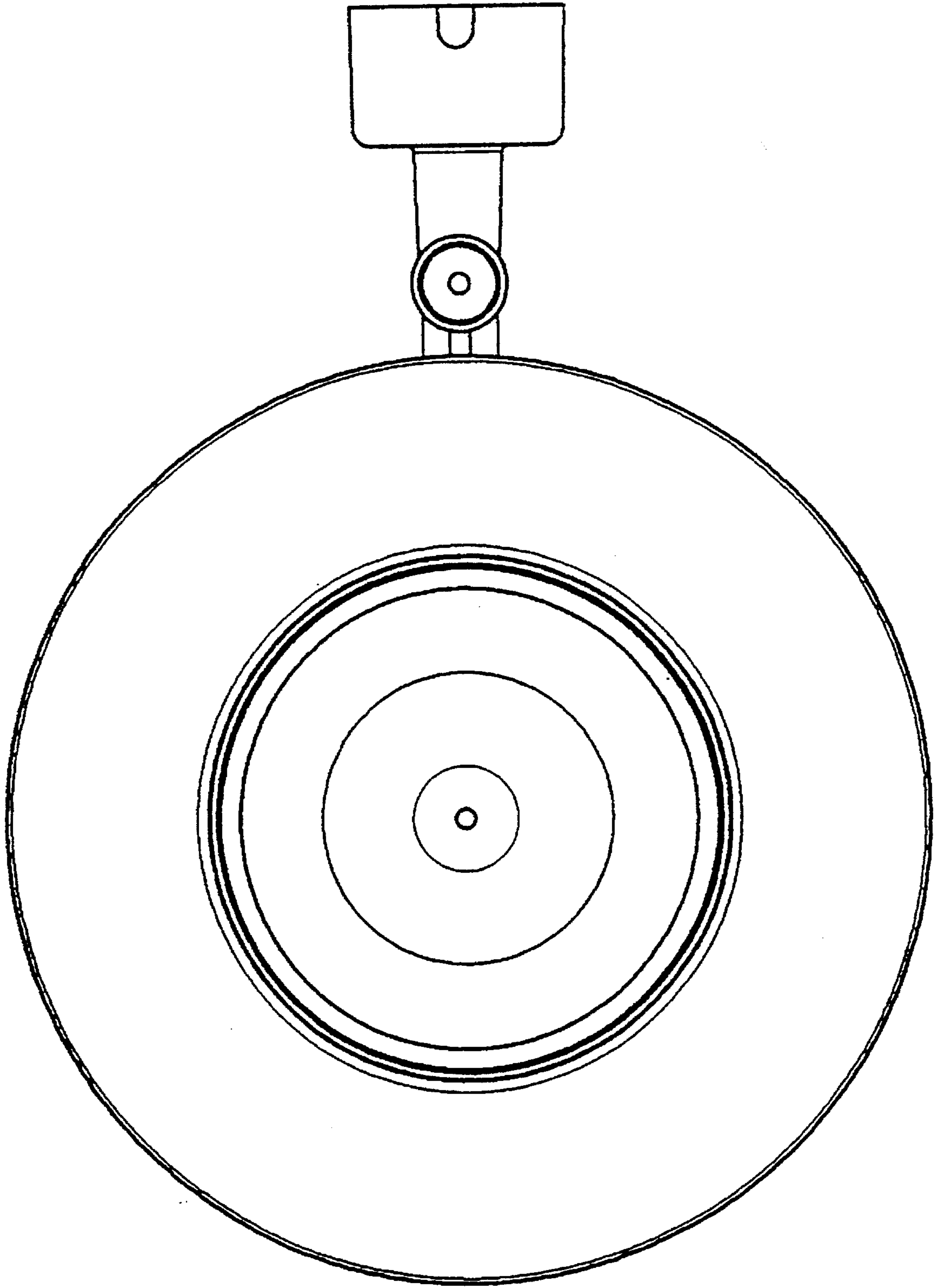


FIG 5

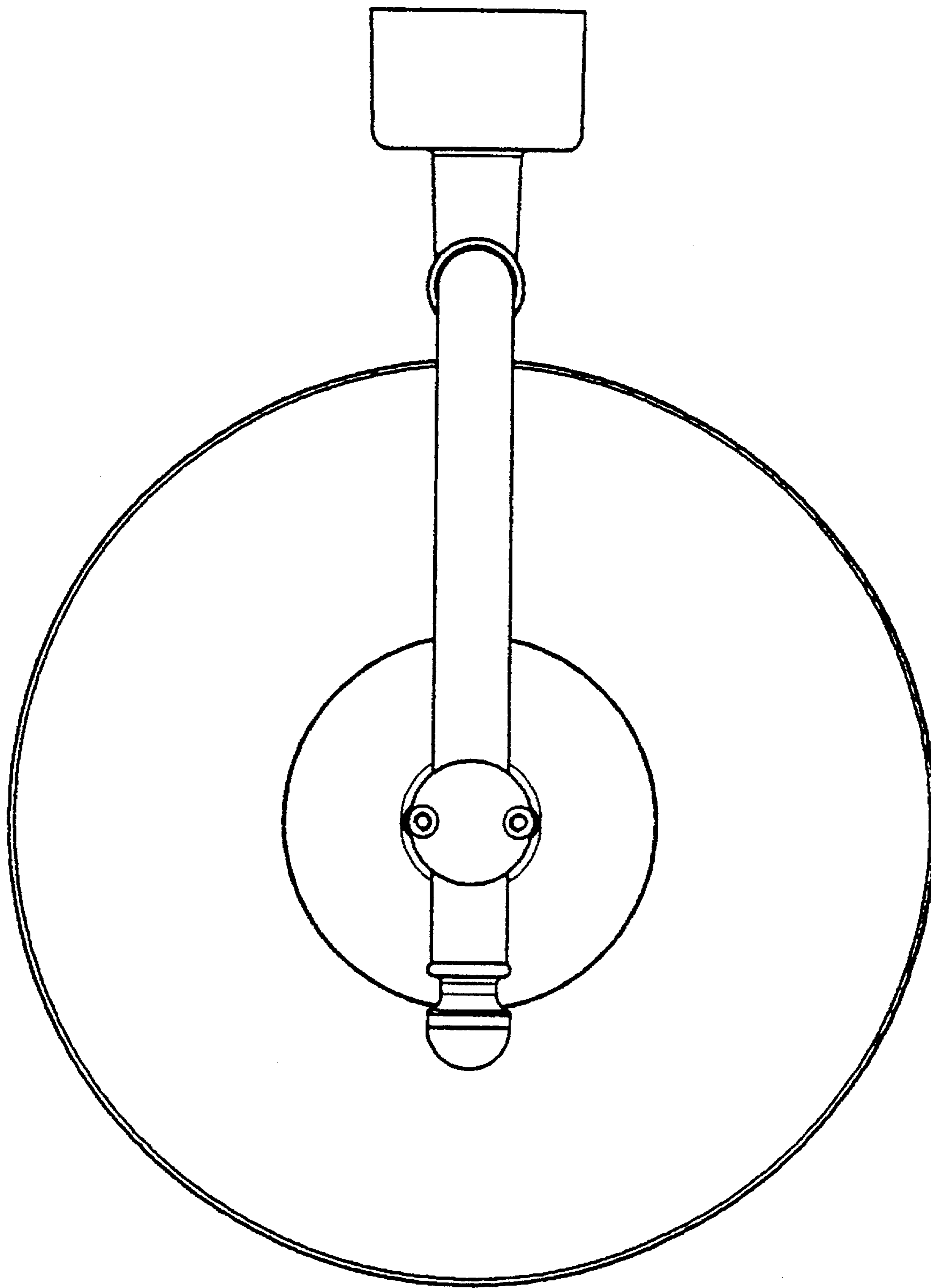


FIG 6