



US00D378435S

United States Patent [19]

Trombley

[11] Patent Number: **Des. 378,435**

[45] Date of Patent: ****Mar. 11, 1997**

[54] **SOLAR POWERED PERPETUAL CANDLE LIGHT**

[76] Inventor: **Edmund J. Trombley**, P.O. Box 367, Joyce Rd., Mineville, N.Y. 12956-0367

[**] Term: **14 Years**

[21] Appl. No.: **41,265**

[22] Filed: **Jul. 10, 1995**

[52] U.S. Cl. **D26/68; D26/110**

[58] Field of Search **D26/93, 102-112, D26/67, 68; 362/410-414, 153, 153.1, 147, 431**

[56] **References Cited**

U.S. PATENT DOCUMENTS

D. 309,785 8/1990 Chien D26/67

D. 309,786 8/1990 Chien D26/67

D. 309,787 8/1990 Chien D26/67

4,984,139 1/1991 Goggia 362/153.1

Primary Examiner—Susan J. Lucas

Attorney, Agent, or Firm—Thomas N. Neiman

[57] **CLAIM**

The ornamental design for a solar powered perpetual candle light, as shown and described.

DESCRIPTION

FIG. 1 is a side elevational view (any) of the novel solar powered perpetual candle light, the view taken from on hundred and twenty degree intervals being mirror images thereof;

FIG. 2 is a top plan view thereof; and,

FIG. 3 is a bottom plan view thereof.

1 Claim, 1 Drawing Sheet

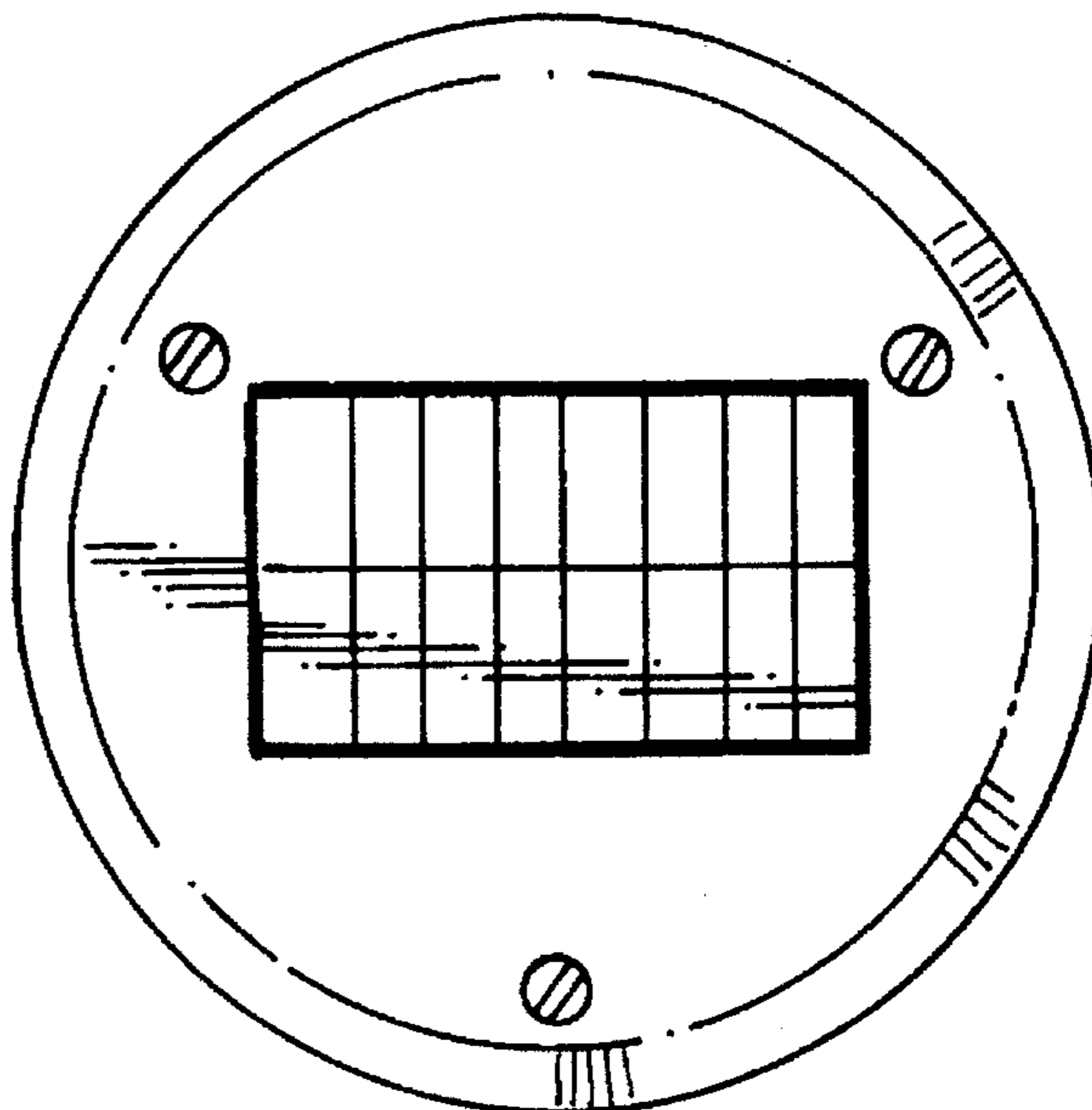
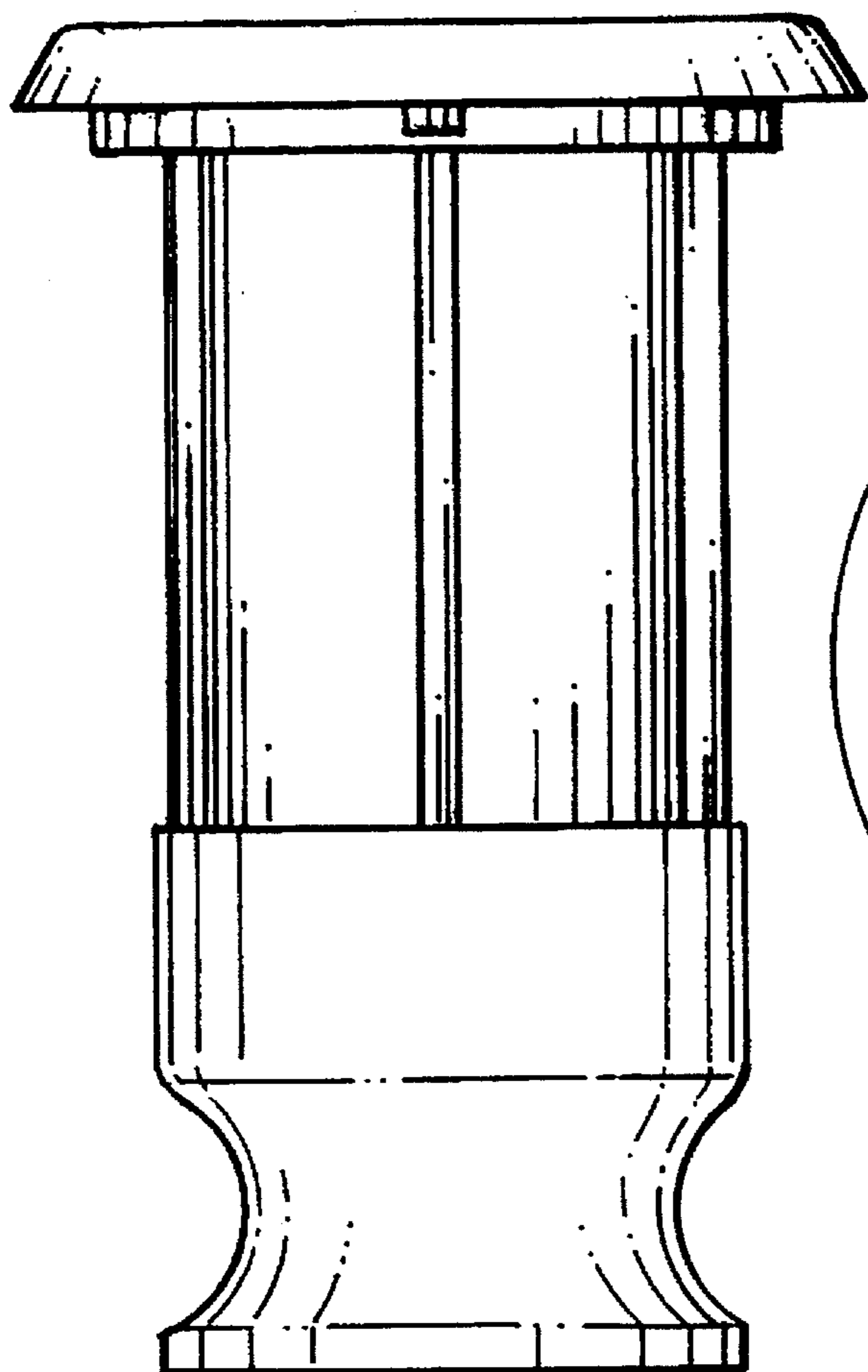


FIG. 2

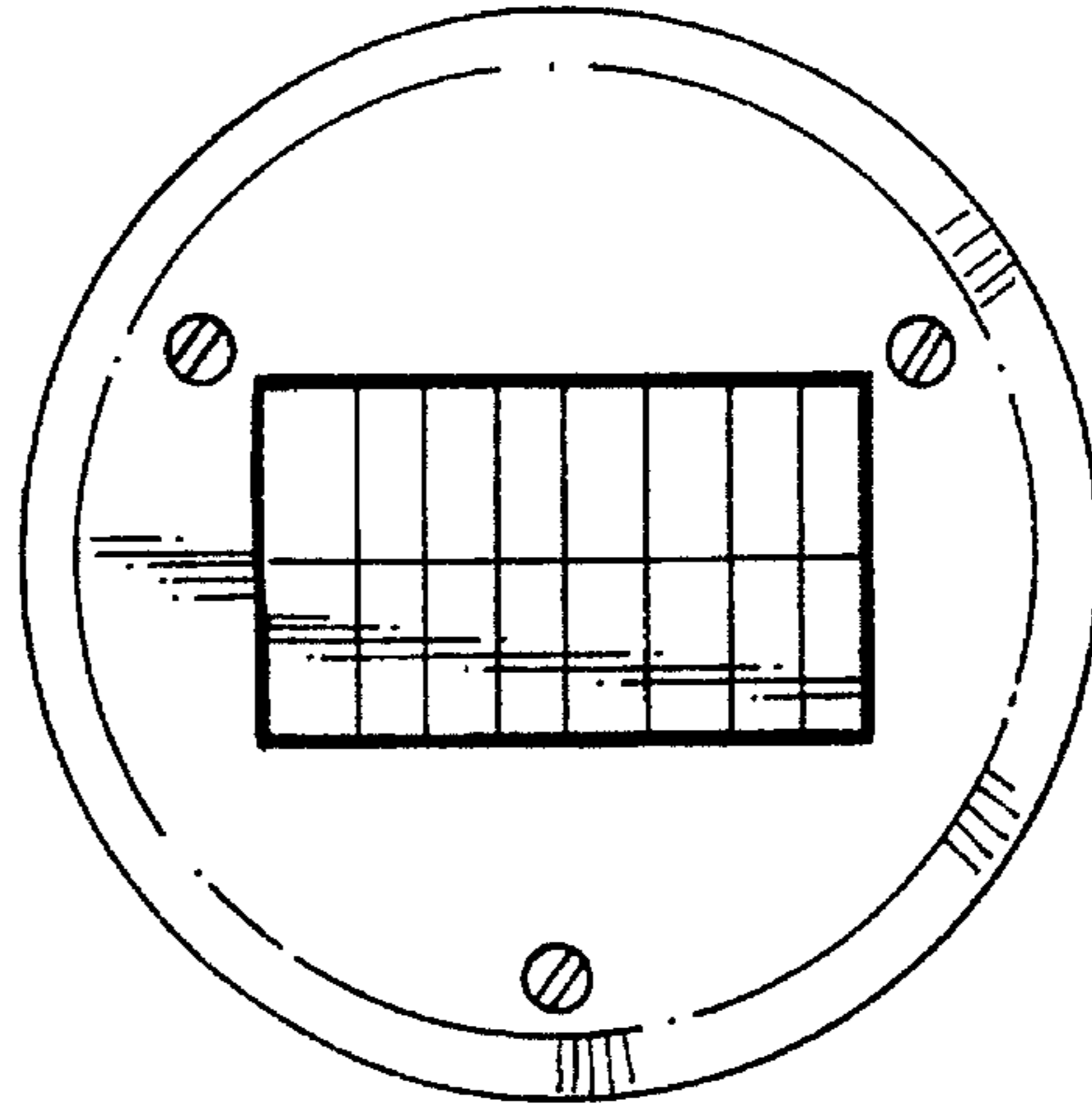


FIG. 1

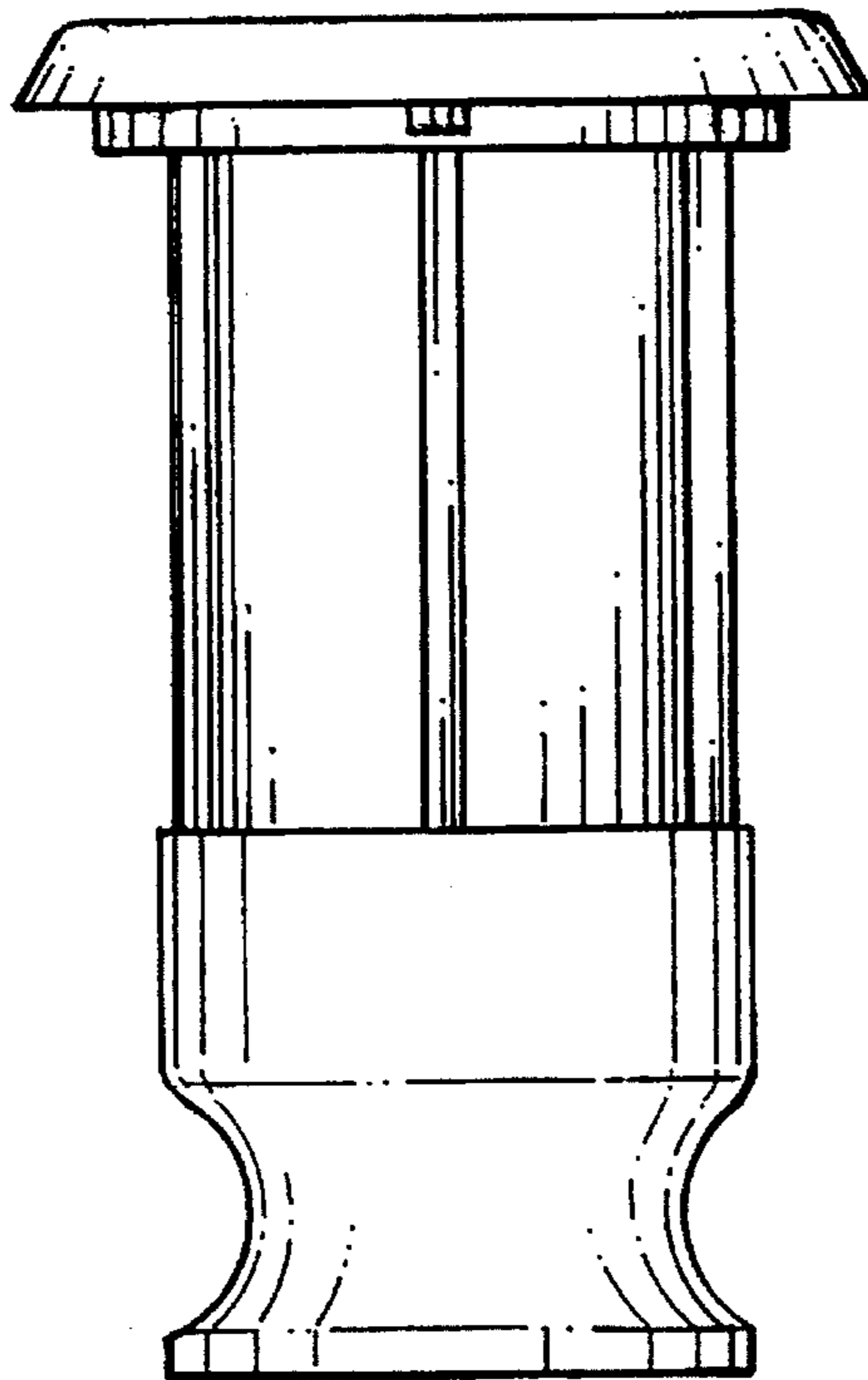


FIG. 3

