



US00D378433S

United States Patent [19]

Jeffries

[11] Patent Number: **Des. 378,433**

[45] Date of Patent: ****Mar. 11, 1997**

[54] **TURN SIGNAL ASSEMBLY**

[76] Inventor: **Jerry Jeffries**, 23358 Los Pocitos,
Laguna Hills, Calif. 92653

[**] Term: **14 Years**

[21] Appl. No.: **47,517**

[22] Filed: **Dec. 6, 1995**

[52] U.S. Cl. **D26/28; D26/139**

[58] Field of Search D26/28-36; 362/61,
362/80, 80.1, 83, 83.3, 326, 334, 335, 336,
337, 339

[56] **References Cited**

U.S. PATENT DOCUMENTS

D. 300,259	3/1989	Lungstrom	D26/28
D. 341,118	11/1993	Haun et al.	D26/28
D. 349,167	7/1994	Uchida	D26/28
D. 355,039	1/1995	Winick	D26/139
4,849,861	7/1989	Arima	362/61

Primary Examiner—Marcus A. Jackson

Attorney, Agent, or Firm—Price, Gess & Ubell

[57] **CLAIM**

The ornamental design for the turn signal assembly, as shown and described.

DESCRIPTION

FIG. 1 is a perspective view of the turn signal assembly of the present invention an enlarged;

FIG. 2 is an enlarged top plan view of the turn signal assembly of FIG. 1;

FIG. 3 is a front plan view of the turn signal assembly of FIG. 1;

FIG. 4 is a right side elevational view of the turn signal assembly of FIG. 1;

FIG. 5 is a left side elevational view of the turn signal assembly of FIG. 1;

FIG. 6 is a bottom plan view of the turn signal assembly of FIG. 1; and,

FIG. 7 is a rear view of the turn signal assembly of FIG. 1.

1 Claim, 3 Drawing Sheets

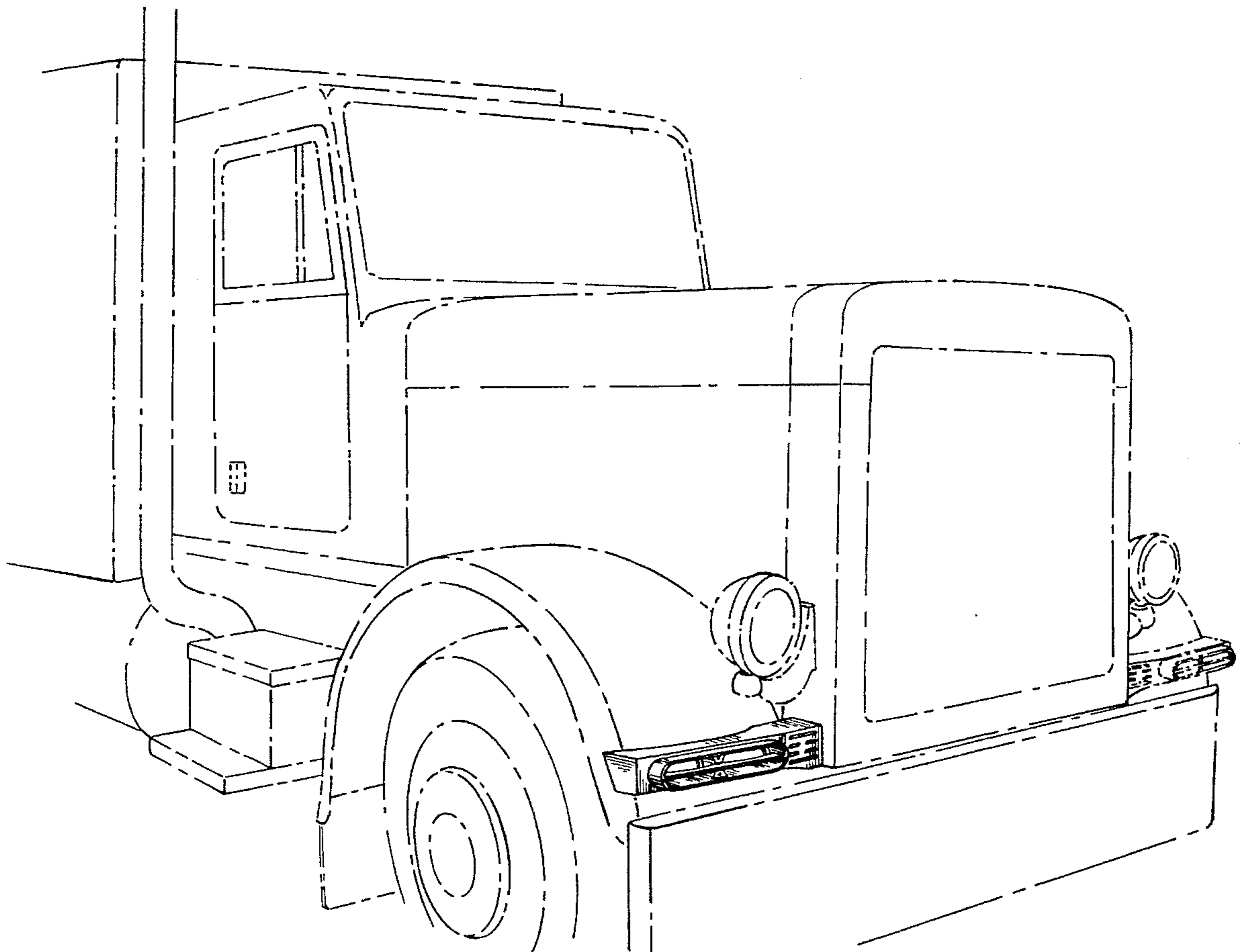
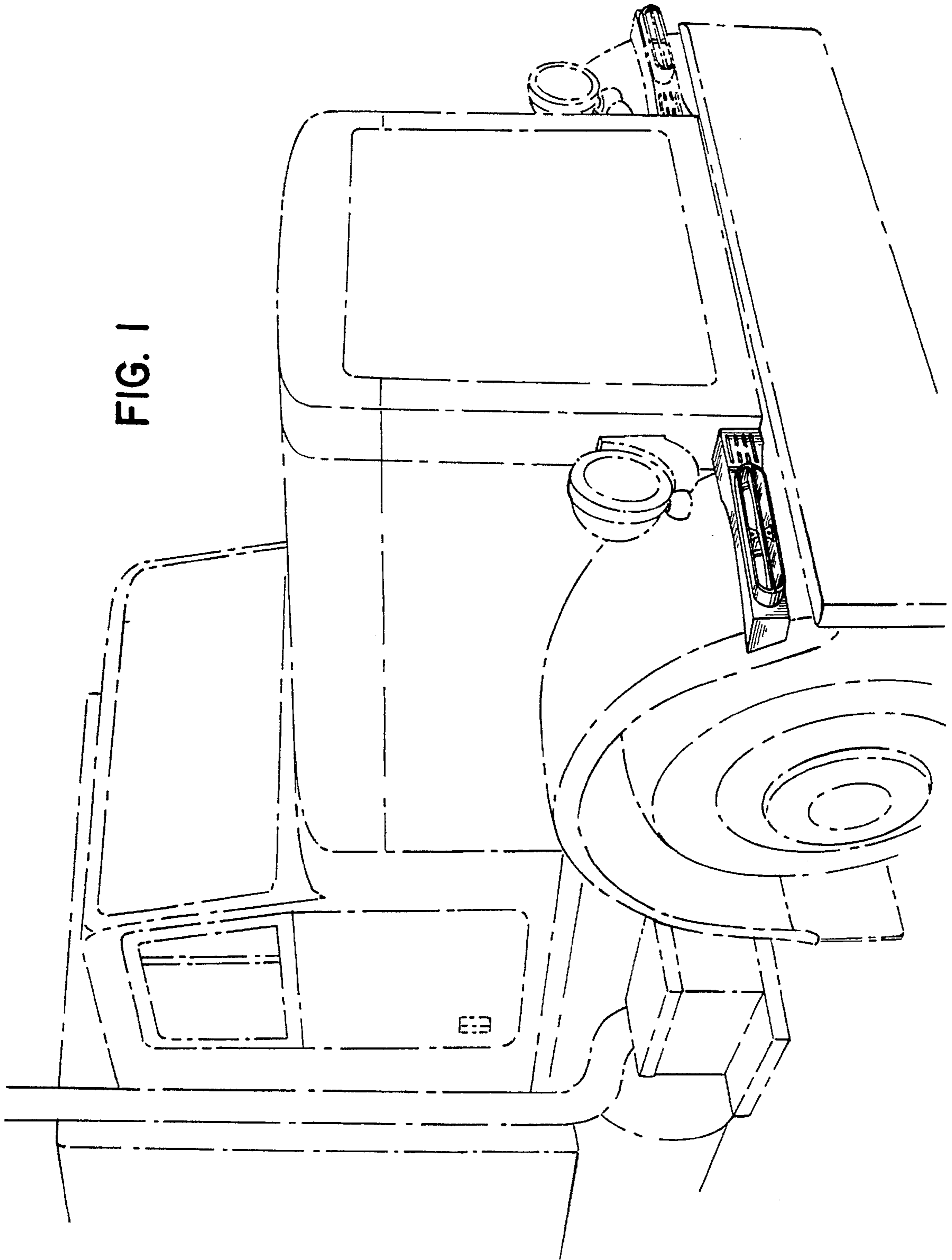


FIG. 1



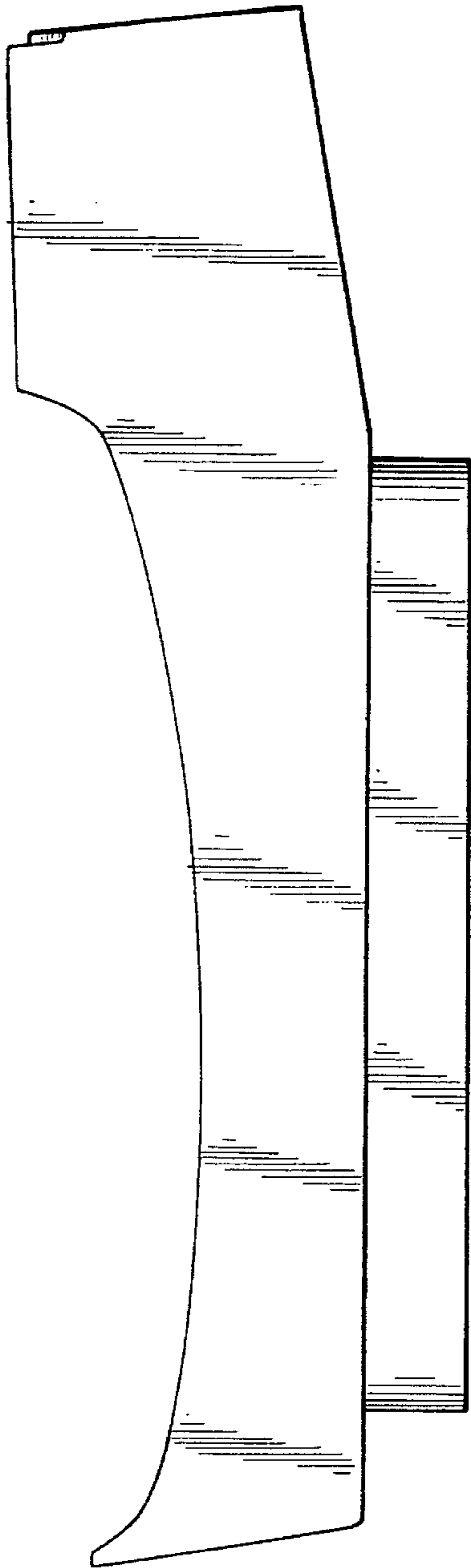


FIG. 2

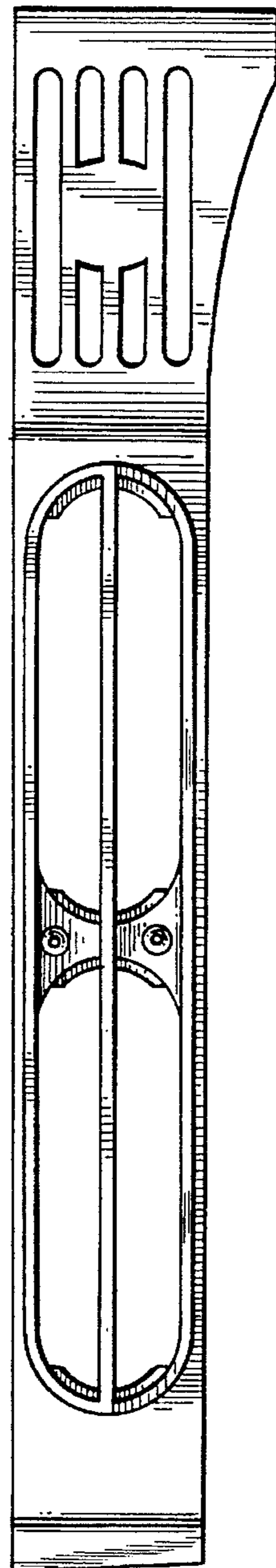


FIG. 3

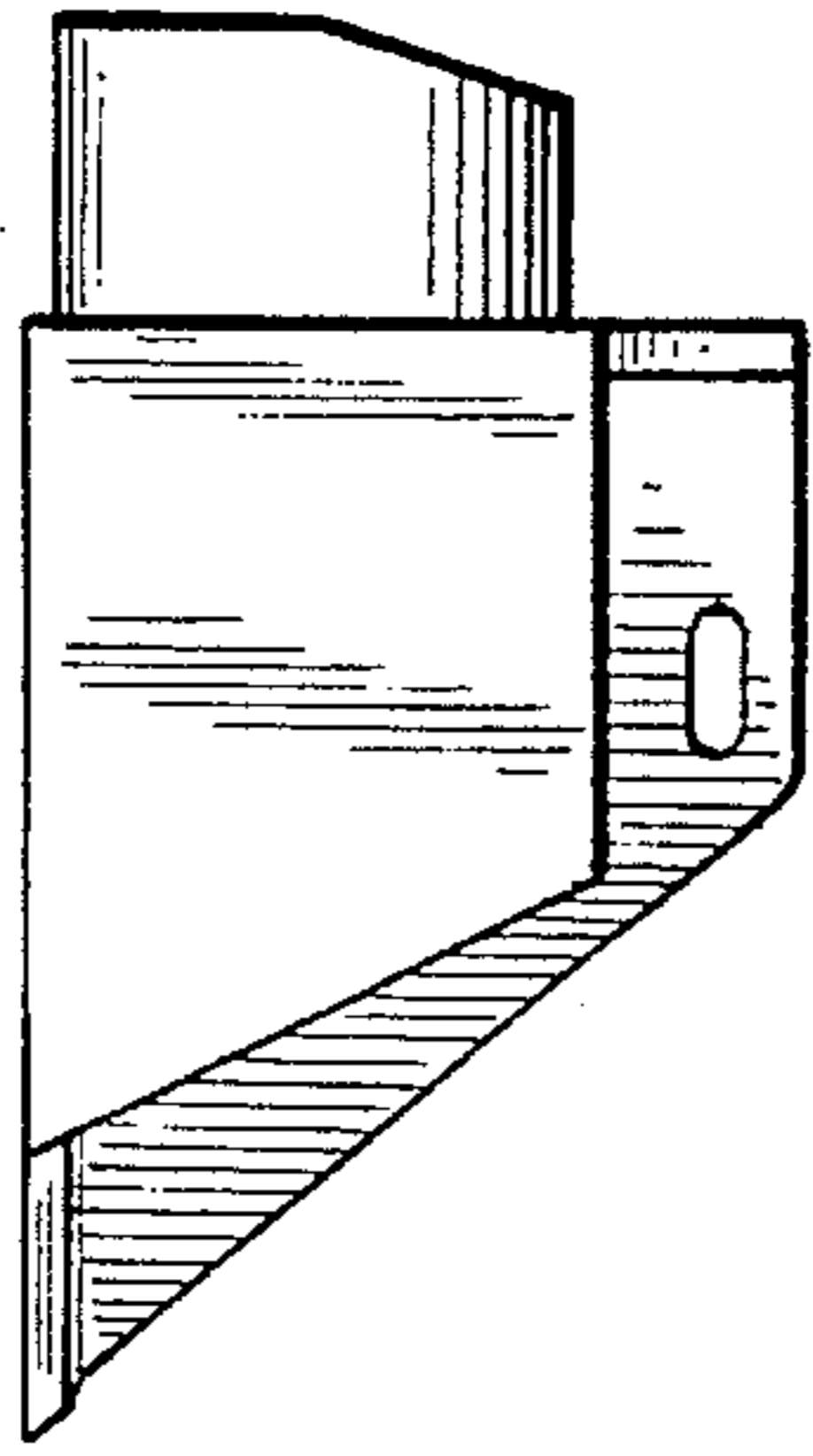


FIG. 4

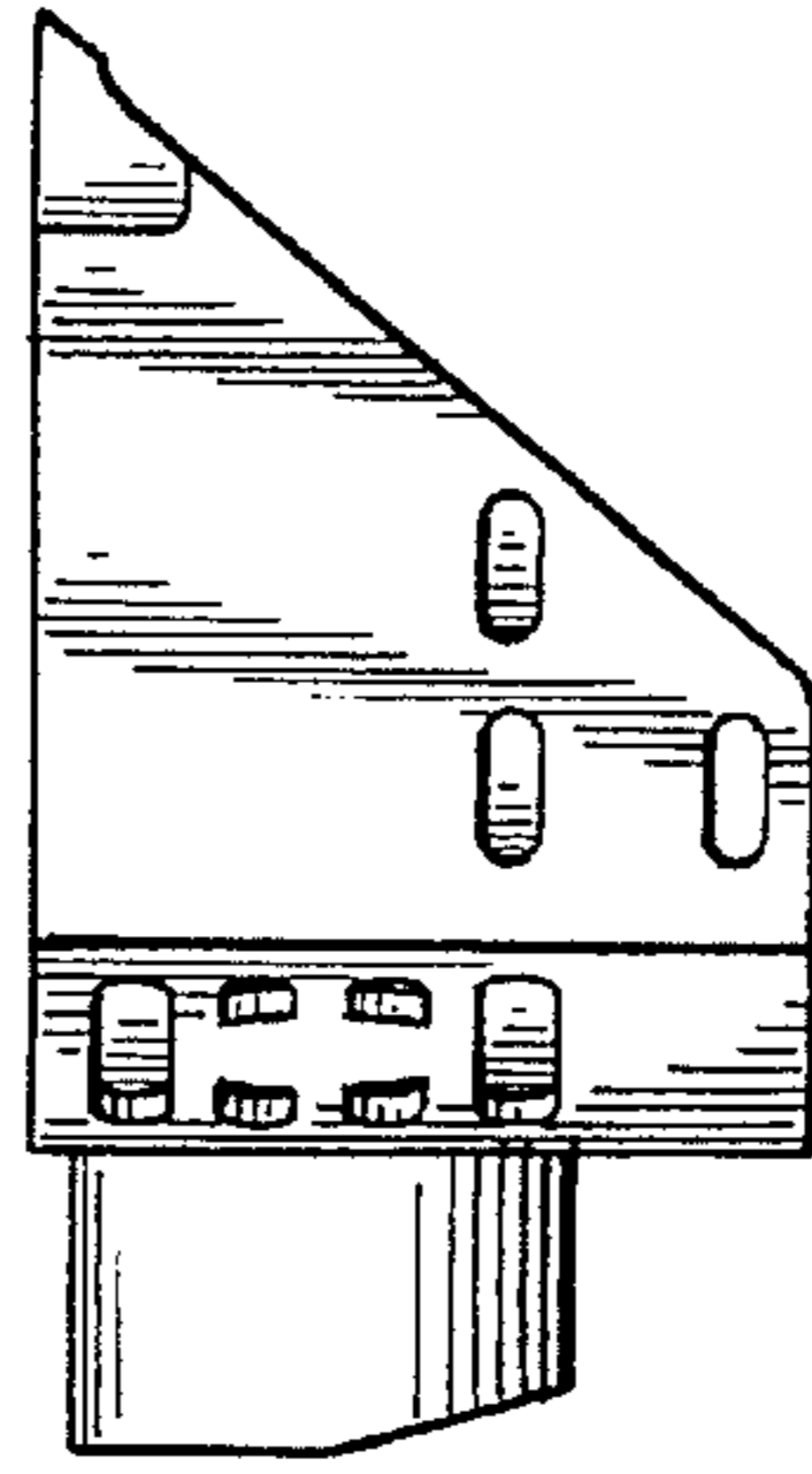


FIG. 5

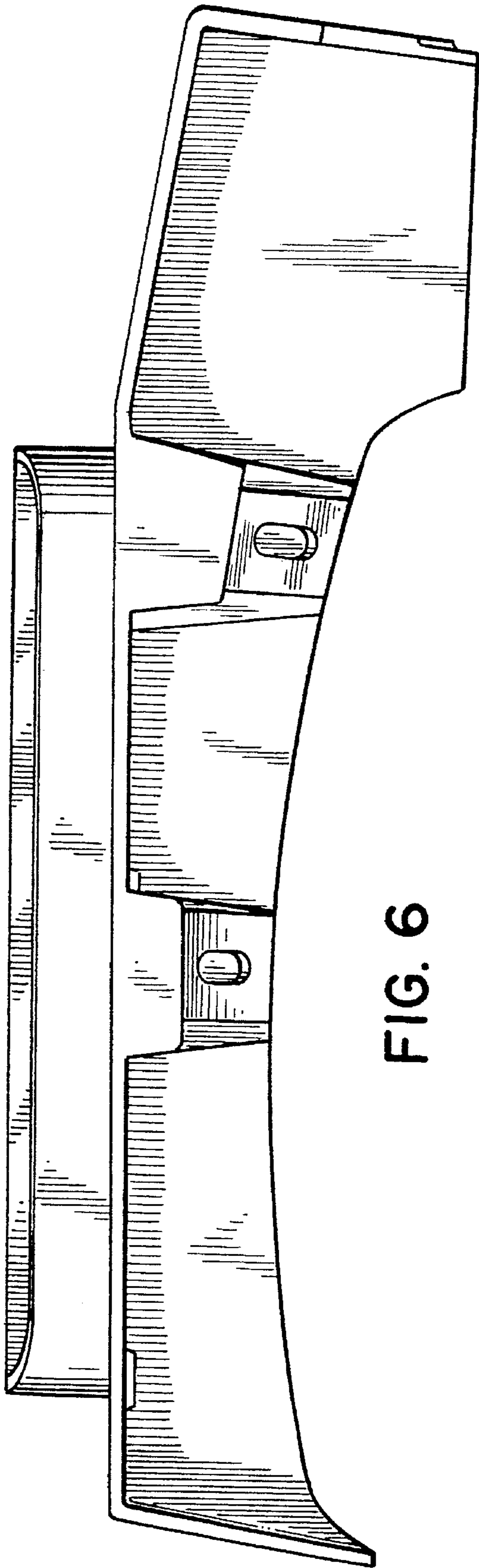


FIG. 6

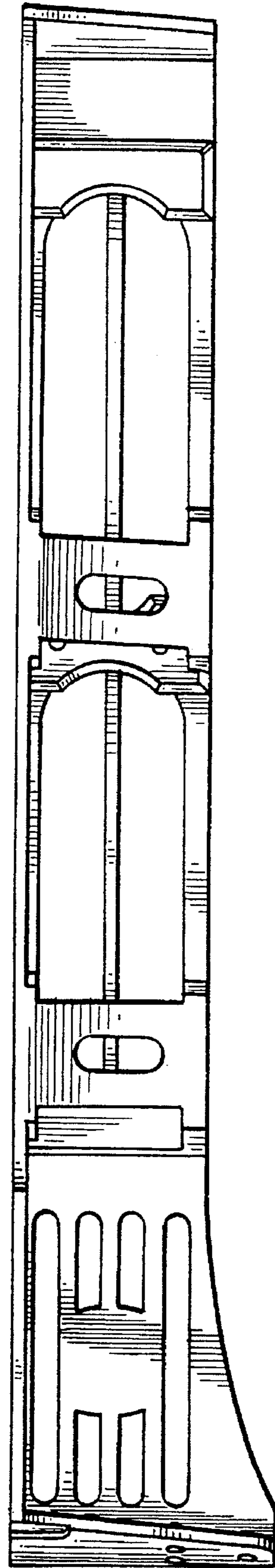


FIG. 7