



US00D378432S

United States Patent [19]

[11] Patent Number: **Des. 378,432**

Raynes

[45] Date of Patent: ****Mar. 11, 1997**

[54] **HANDRAIL WITH A BRAILLE INSERT**

5,065,837	11/1991	Szudy	182/18
5,161,975	11/1992	Andrews	434/113
5,366,050	11/1994	Raynes	182/18

[76] Inventor: **Coco Raynes**, 314 Dartmouth St., Boston, Mass. 02116

[**] Term: **14 Years**

Primary Examiner—Doris Clark
Attorney, Agent, or Firm—Lahive & Cockfield

[21] Appl. No.: **45,568**

[57] **CLAIM**

[22] Filed: **Oct. 24, 1995**

The ornamental design for a handrail with a braille insert, as shown and described.

[52] U.S. Cl. **D25/164**

[58] Field of Search D25/164, 119, D25/124, 42-45; 434/112, 113, 116; 182/118; 40/455, 457; 256/59, 19, 20, 1, 12.5, 22, 24, 31, 29, 66; 52/152; D18/24, 26

DESCRIPTION

FIG. 1 is a perspective view of a handrail with a braille insert showing my new design the broken lines showing braille is for illustrative purposes only and forms no part of the claimed design;

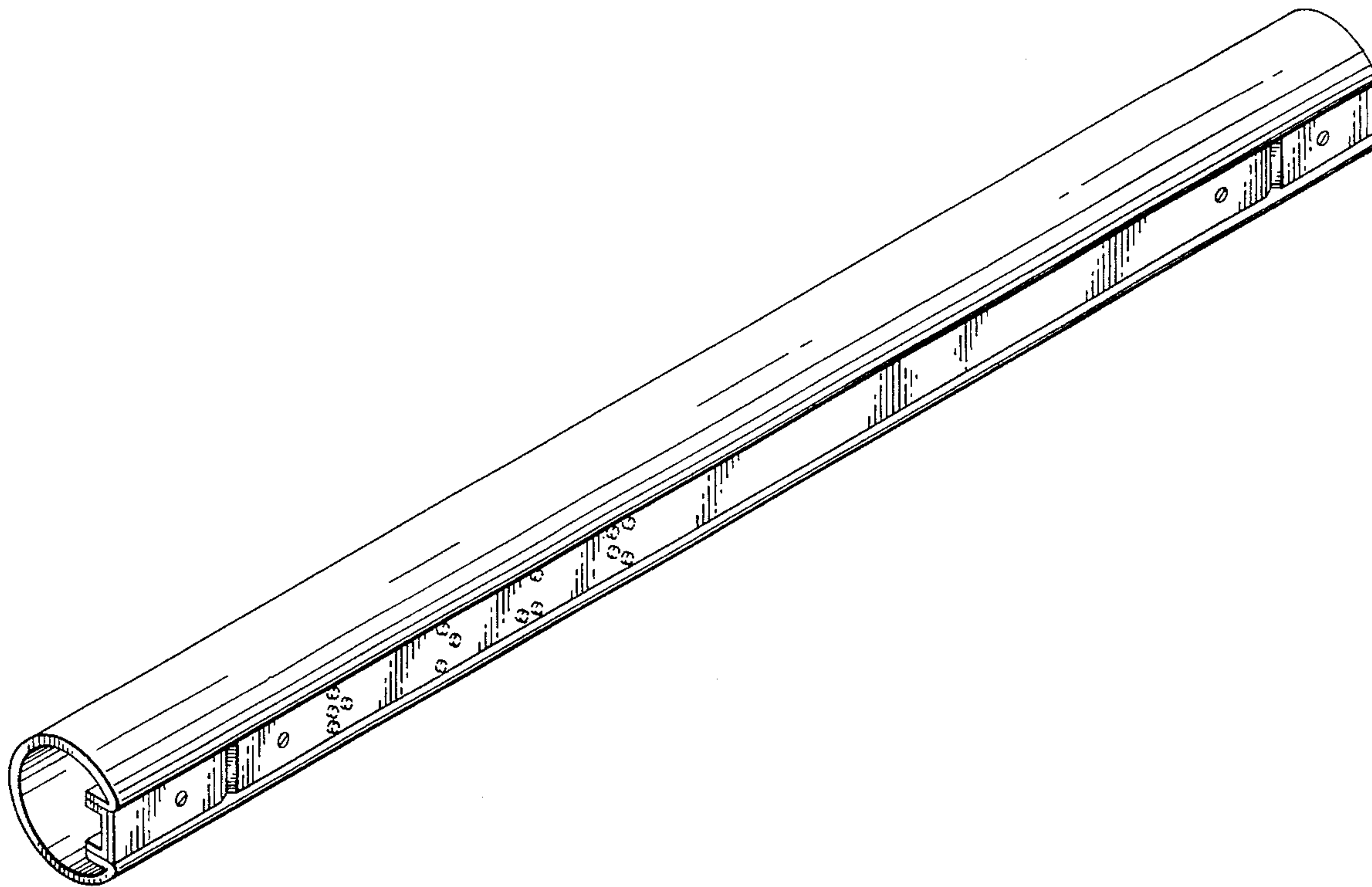
[56] **References Cited**

U.S. PATENT DOCUMENTS

D. 291,831	9/1987	Noyce	D25/164
D. 335,353	5/1993	Baker	D25/38
D. 353,455	12/1994	Raynes	D25/121
D. 353,467	12/1994	Raynes	D25/38
4,220,316	9/1980	Naka et al.	256/59

FIG. 2 is a fragmentary front elevational view thereof;
FIG. 3 is a fragmentary top plan view thereof;
FIG. 4 is a fragmentary bottom view thereof; and,
FIG. 5 is a side elevational view thereof.

1 Claim, 2 Drawing Sheets



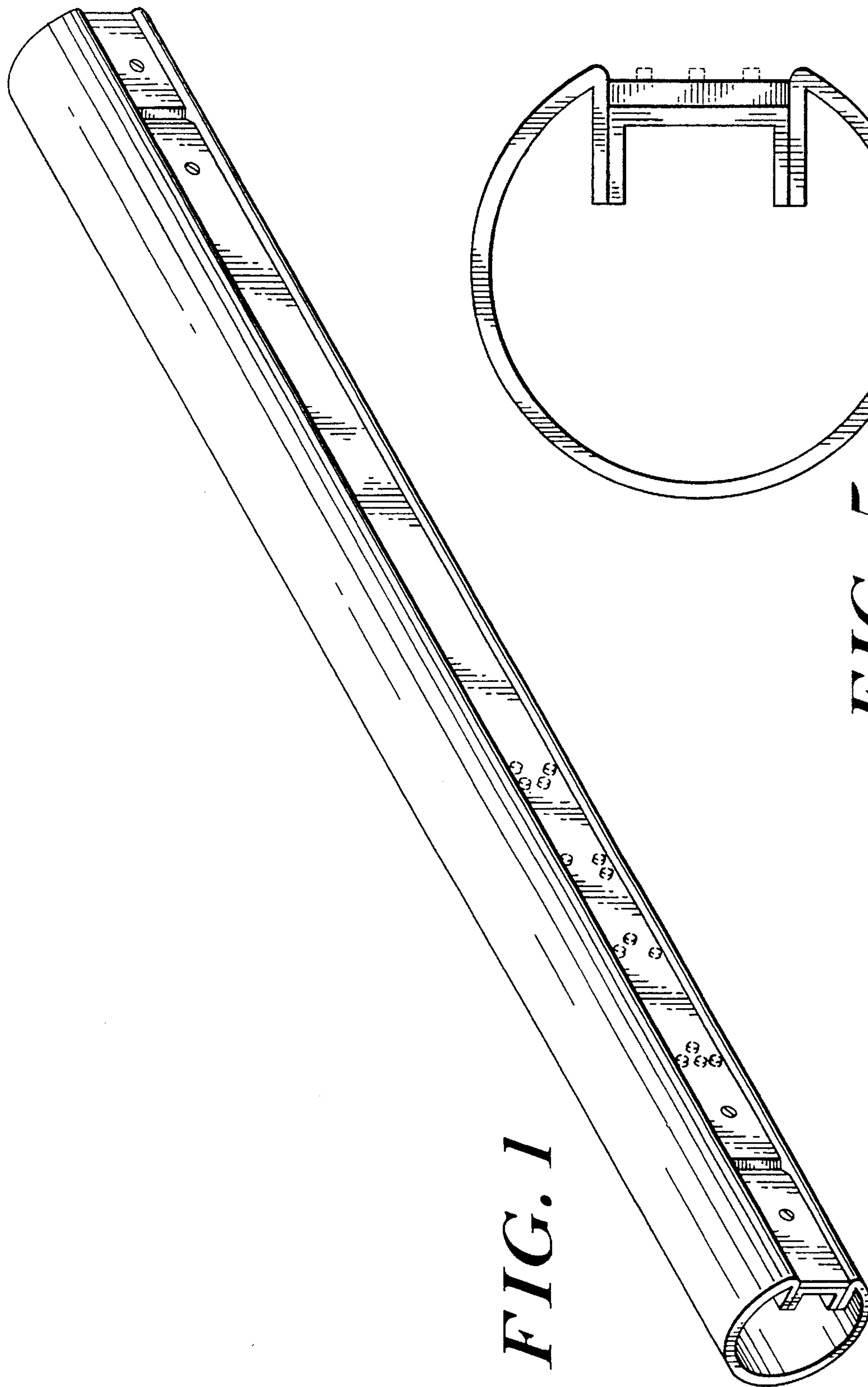


FIG. 1

FIG. 5

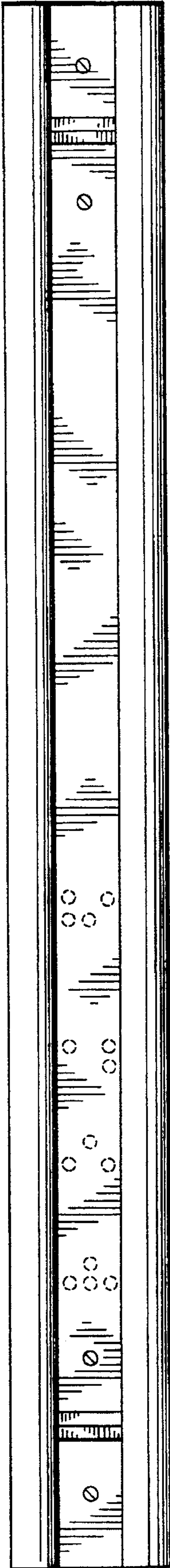


FIG. 2

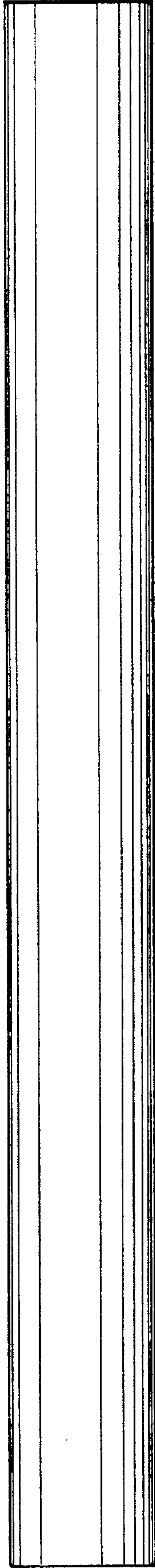


FIG. 3

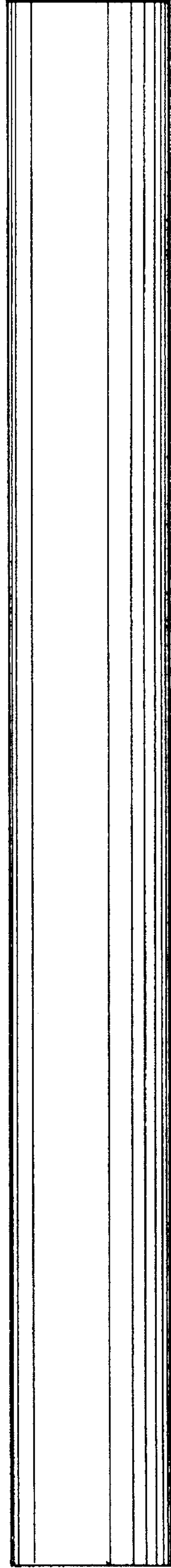


FIG. 4