



US00D378429S

United States Patent [19]

Leonelli

[11] Patent Number: **Des. 378,429**

[45] Date of Patent: ****Mar. 11, 1997**

[54] **LOCKING FRAME**

Primary Examiner—Doris Clark

[75] Inventor: **Louie Leonelli**, Woodbridge, Canada

[57] **CLAIM**

[73] Assignee: **Pillar Plastics Limited**, Concord, Canada

The ornamental design for a locking frame, as shown and described.

[**] Term: **14 Years**

DESCRIPTION

[21] Appl. No.: **48,401**

[22] Filed: **Dec. 27, 1995**

FIG. 1 is a perspective view of the locking frame; and,

[52] U.S. Cl. **D25/124**

FIG. 2 is an end view of the locking frame.

[58] Field of Search D25/119-125,
D25/60, 52; 49/DIG. 2, 501, 504, 407-408,
180, 316; 52/204.5

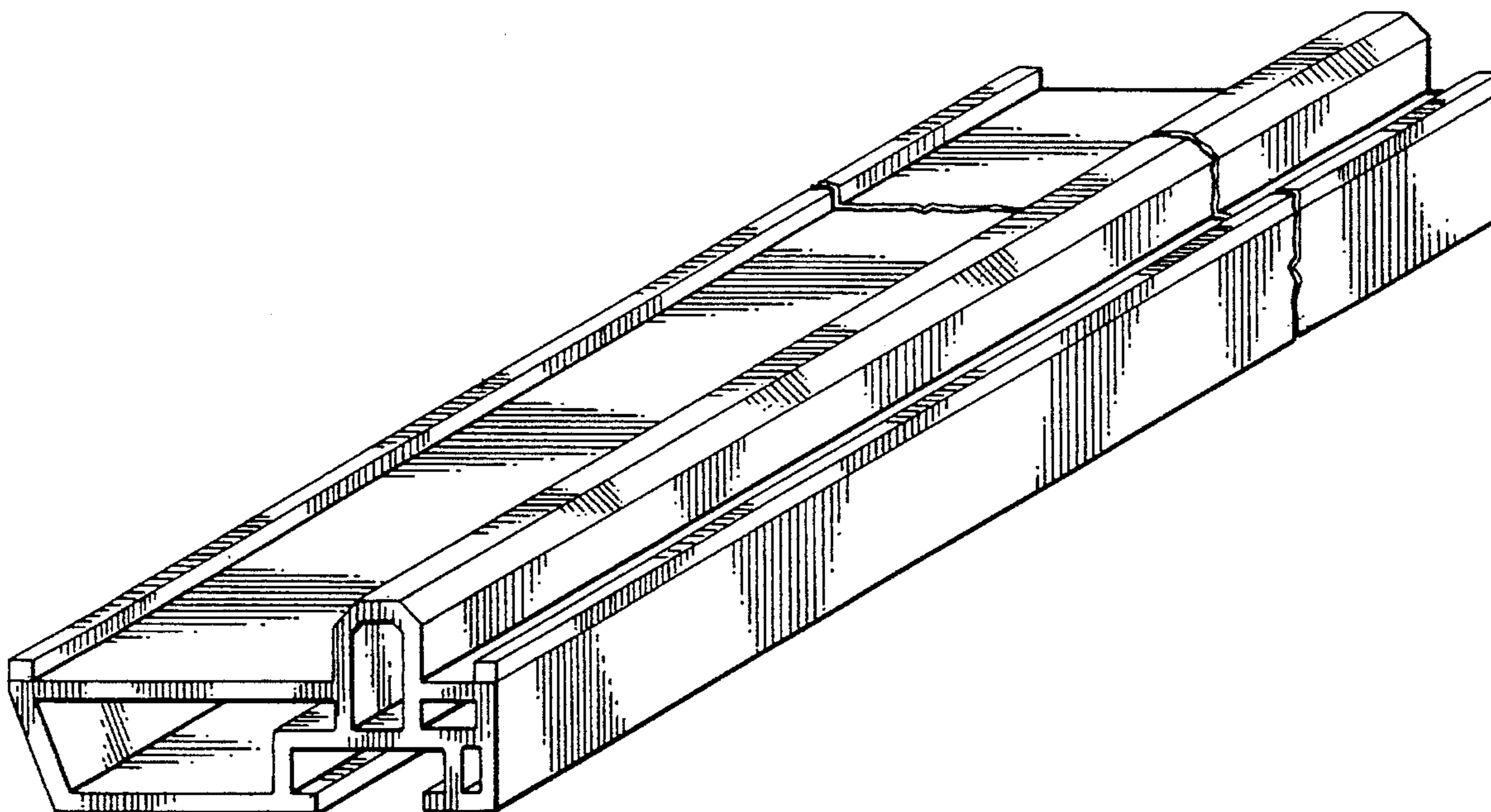
The locking frame is broken away in the center to indicate indeterminate length.

[56] References Cited

U.S. PATENT DOCUMENTS

D. 353,211 12/1994 Schrader D25/124

1 Claim, 1 Drawing Sheet



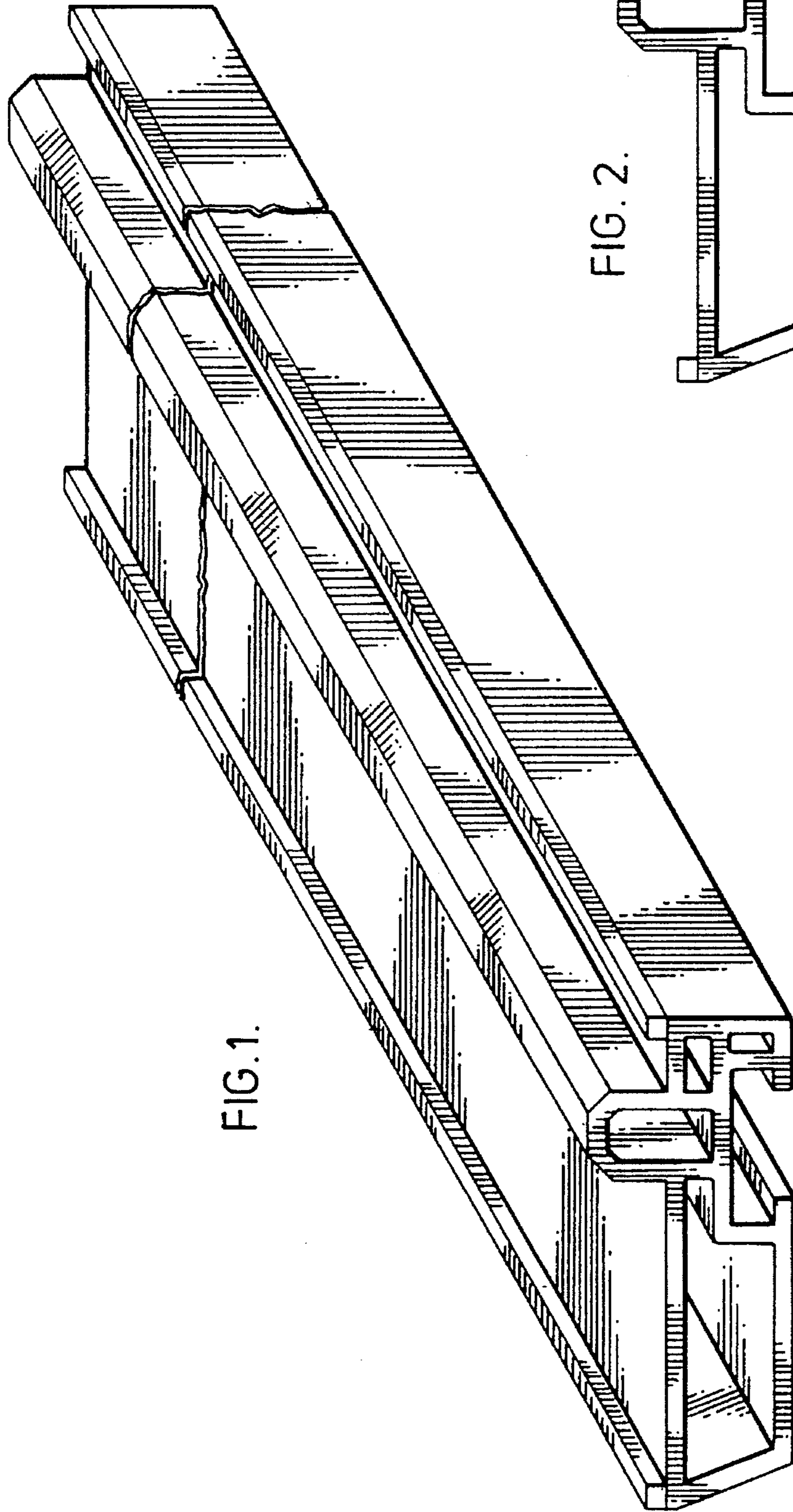


FIG. 1.

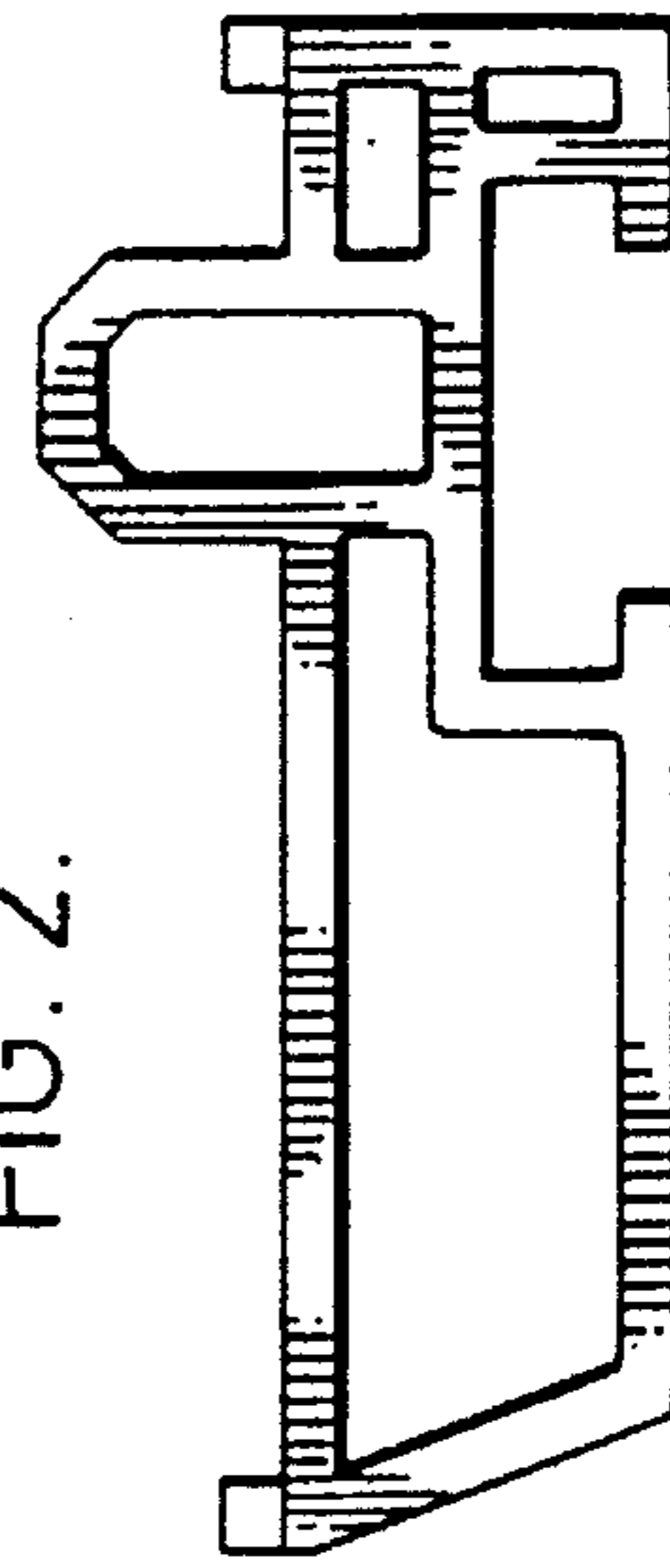


FIG. 2.