



US00D378428S

# United States Patent [19]

Leonelli

[11] Patent Number: **Des. 378,428**

[45] Date of Patent: **\*\*Mar. 11, 1997**

[54] **DOOR FRAME**

[75] Inventor: **Louie Leonelli**, Woodbridge, Canada

[73] Assignee: **Pillar Plastics Limited**, Concord, Canada

[\*\*] Term: **14 Years**

[21] Appl. No.: **48,397**

[22] Filed: **Dec. 27, 1995**

[52] U.S. Cl. .... **D25/124**

[58] Field of Search ..... D25/52, 60, 119-125, D25/48; 49/501, 504, DIG. 2; 52/204.5, 204.1, 210, 204.55, 204.56, 204.63, 204.6, 214, 204.61, 656.6, 730.3, 730.4, 730.5, 455

[56] **References Cited**

U.S. PATENT DOCUMENTS

D. 305,366 1/1990 Ripley ..... D25/119

*Primary Examiner*—Doris Clark

[57] **CLAIM**

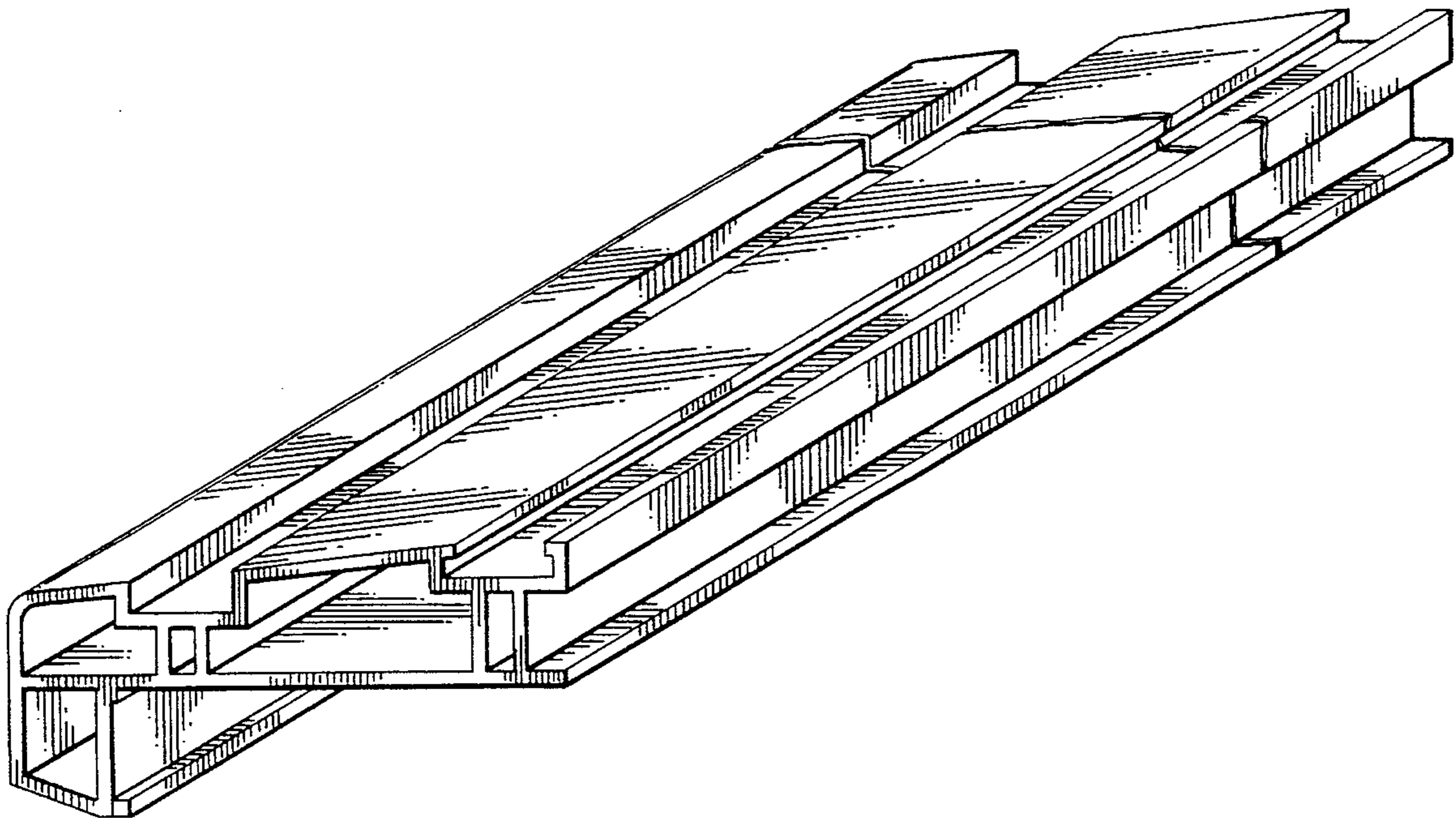
The ornamental design for a door frame, as shown and described.

### DESCRIPTION

FIG. 1 is a perspective view of the door frame; and, FIG. 2 is an end view of the door frame.

The door frame is broken away in the center to indicate indeterminate length.

**1 Claim, 1 Drawing Sheet**



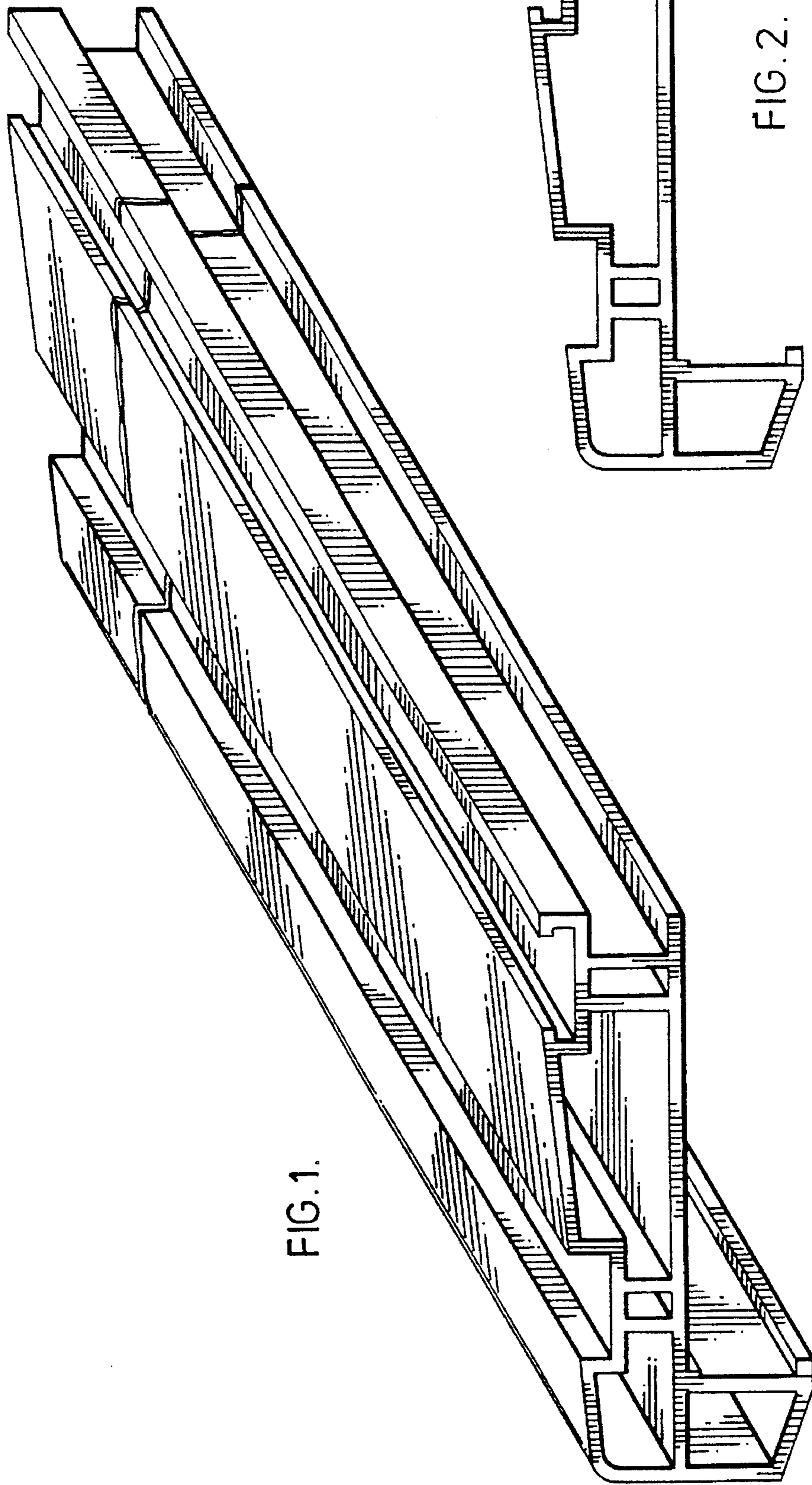


FIG. 1.

FIG. 2.