



US00D378427S

United States Patent [19]

[11] Patent Number: **Des. 378,427**

Leonelli

[45] Date of Patent: ****Mar. 11, 1997**

[54] **MULLION**

D. 285,610 9/1986 Slocomb, Jr. D25/124

[75] Inventor: **Louie Leonelli**, Woodbridge, Canada

Primary Examiner—Doris Clark

[73] Assignee: **Pillar Plastics Limited**, Concord, Canada

[**] Term: **14 Years**

[57] CLAIM

[21] Appl. No.: **48,395**

The ornamental design for a mullion, as shown and described.

[22] Filed: **Dec. 27, 1995**

DESCRIPTION

[52] U.S. Cl. **D25/124**

FIG. 1 is a perspective view of the mullion; and,

[58] Field of Search D25/52, 60, 119-125; 49/501, 504, DIG. 2, 505; 52/204.5, 204.1, 210, 204.55, 204.56, 204.63, 204.6, 214, 204.61, 656.6, 730.3, 730.4, 730.5

FIG. 2 is an end view of the mullion.

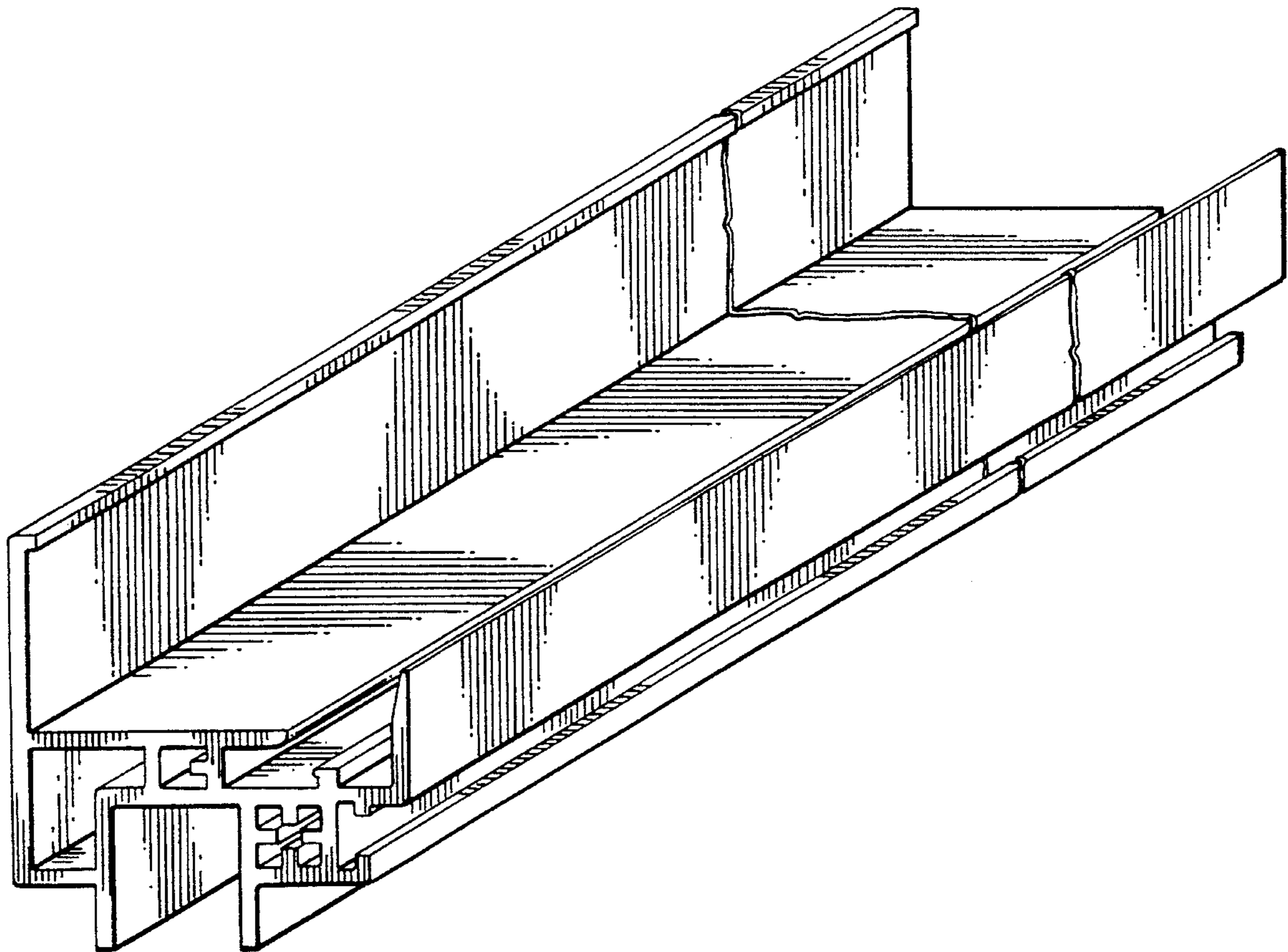
The mullion is broken away in the center to indicate indeterminate length.

[56] References Cited

U.S. PATENT DOCUMENTS

D. 261,305 10/1981 Schmidt D25/124

1 Claim, 1 Drawing Sheet



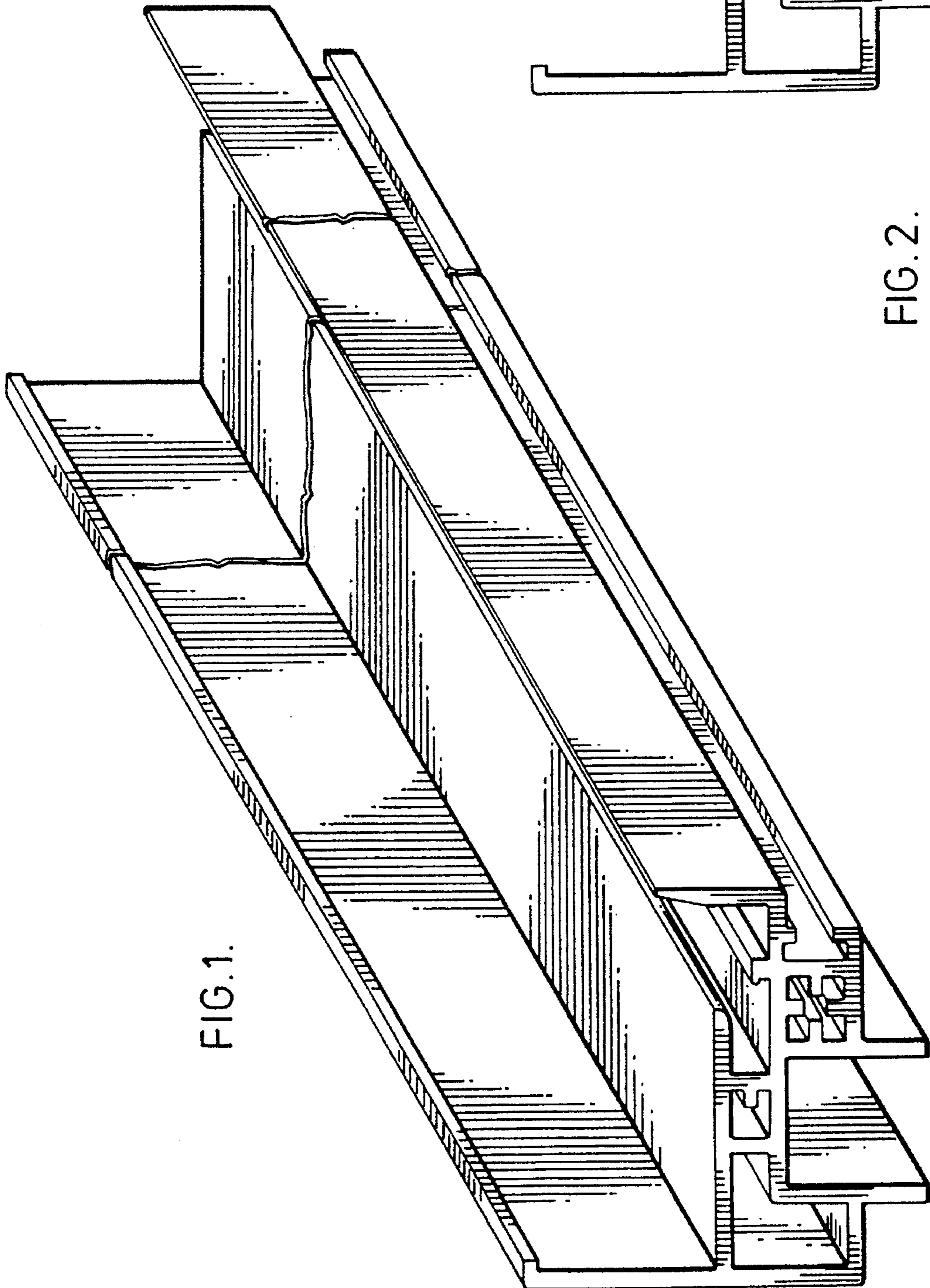


FIG. 1.

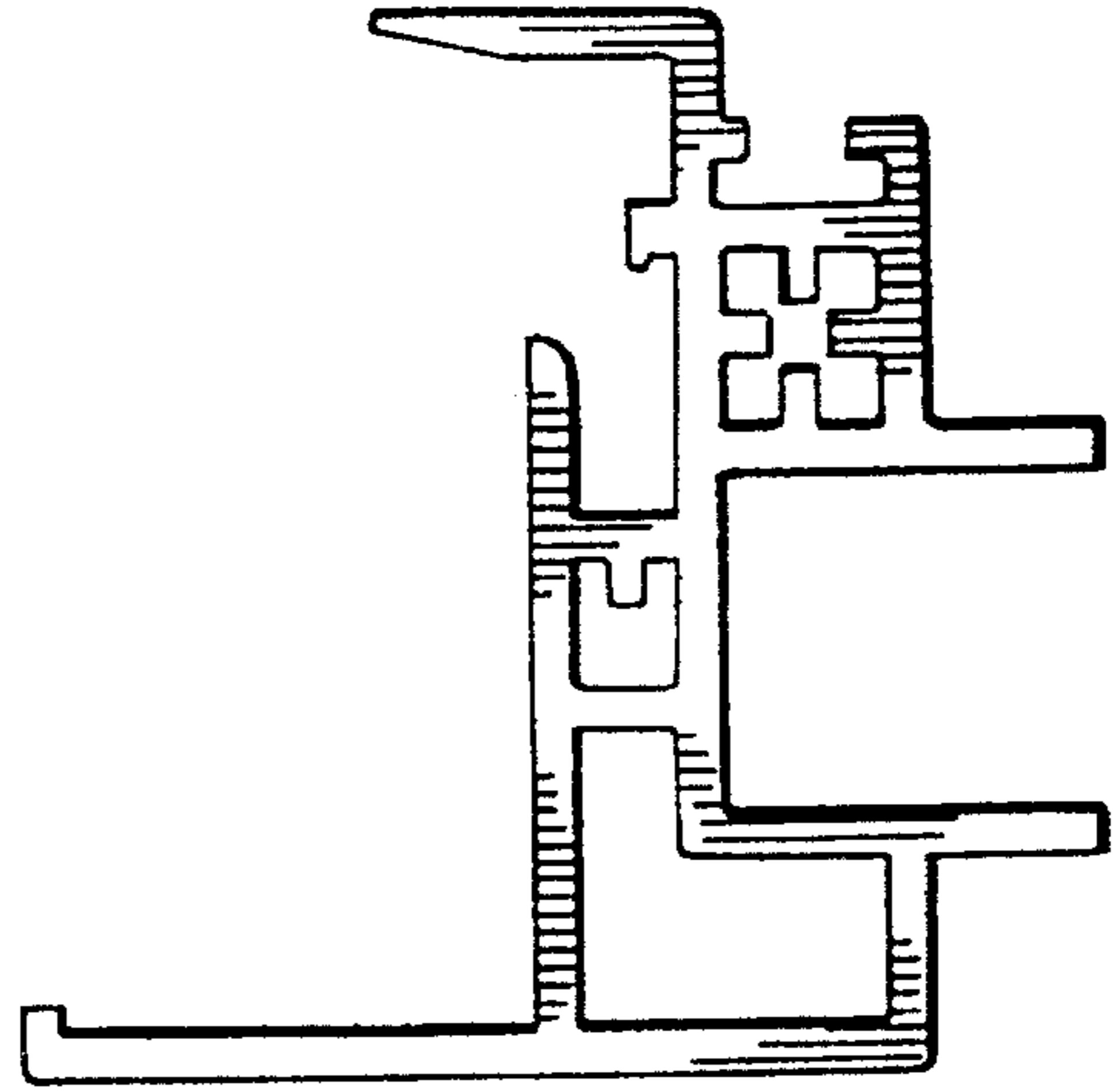


FIG. 2.