



US00D378426S

United States Patent [19]

Leonelli

[11] Patent Number: **Des. 378,426**

[45] Date of Patent: ****Mar. 11, 1997**

[54] SASH

[75] Inventor: **Louie Leonelli**, Woodbridge, Canada

[73] Assignee: **Pillar Plastics Limited**, Concord, Canada

[**] Term: **14 Years**

[21] Appl. No.: **48,394**

[22] Filed: **Dec. 27, 1995**

[52] U.S. Cl. **D25/124**

[58] Field of Search D25/52, 60, 119-125; 49/501, 504, DIG. 2; 52/204.5, 204.1, 210, 204.55, 204.56, 204.63, 204.6, 214, 204.61, 656.6, 730.3, 730.4, 730.5

[56]

References Cited

U.S. PATENT DOCUMENTS

D. 201,352 6/1965 Riegelman D25/124

Primary Examiner—Doris Clark

[57]

CLAIM

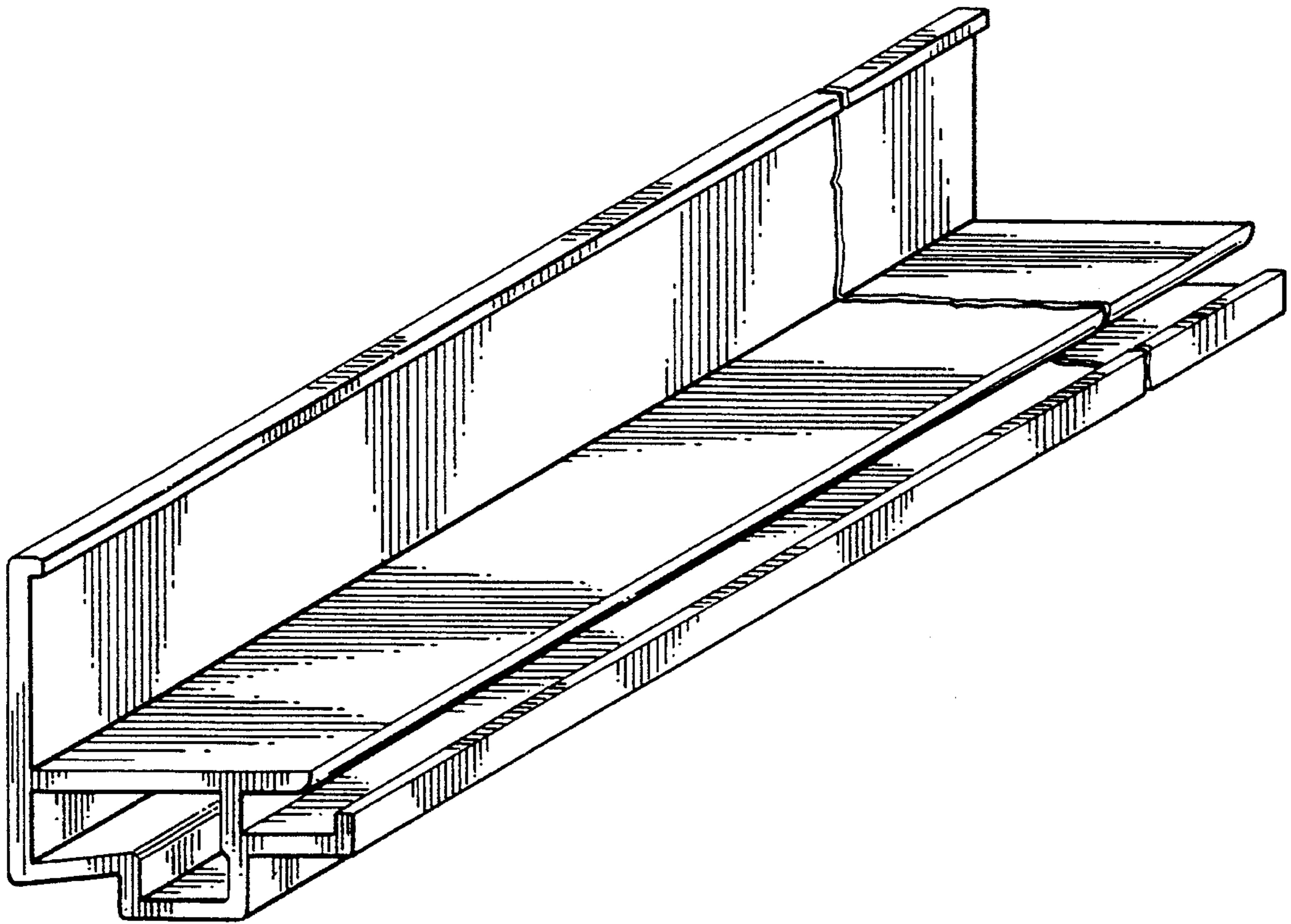
The ornamental design for a sash, as shown and described.

DESCRIPTION

FIG. 1 is a perspective view of the sash; and, FIG. 2 is an end view of the sash.

The sash is broken away in the center to indicate indeterminate length.

1 Claim, 1 Drawing Sheet



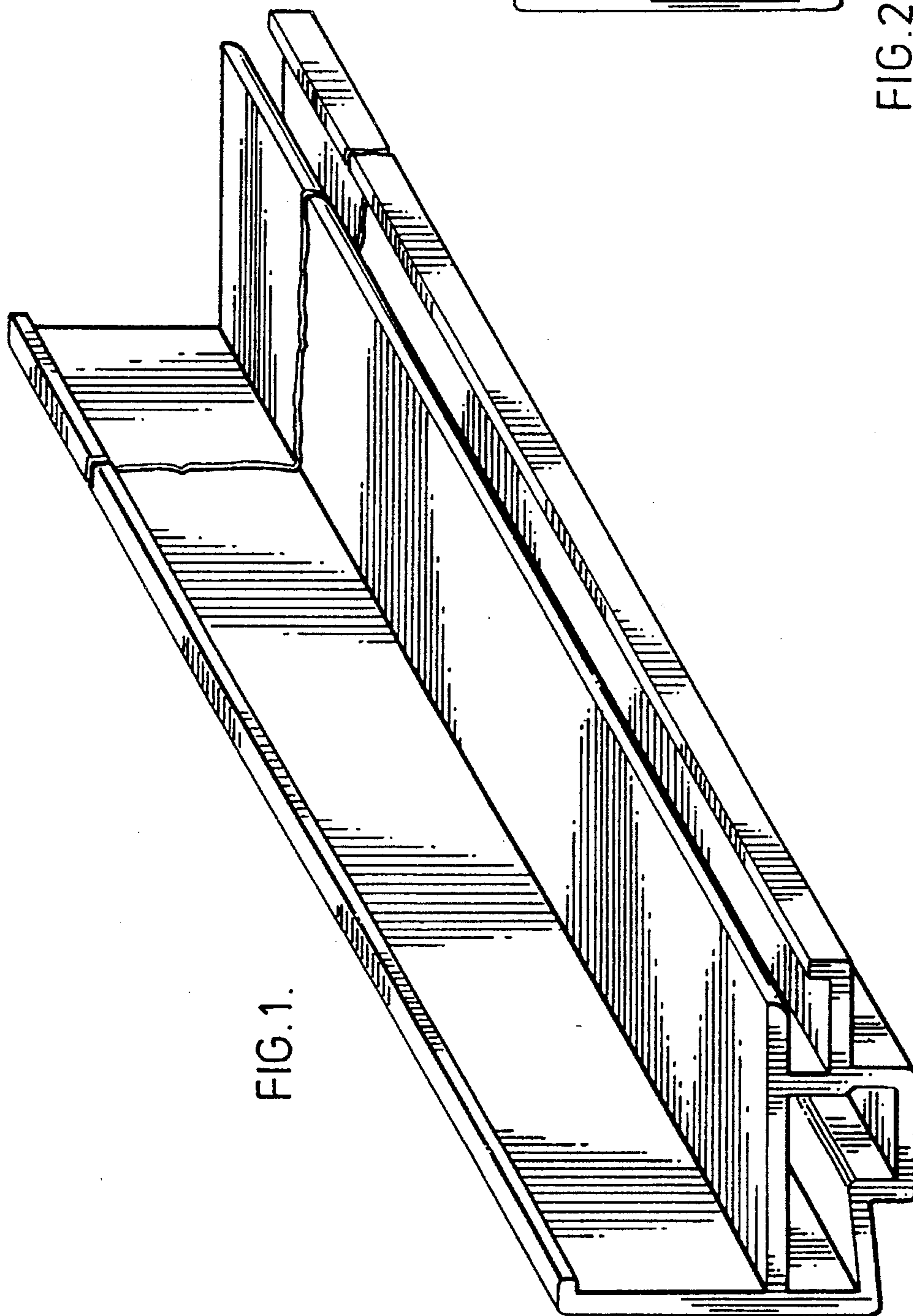


FIG. 1.

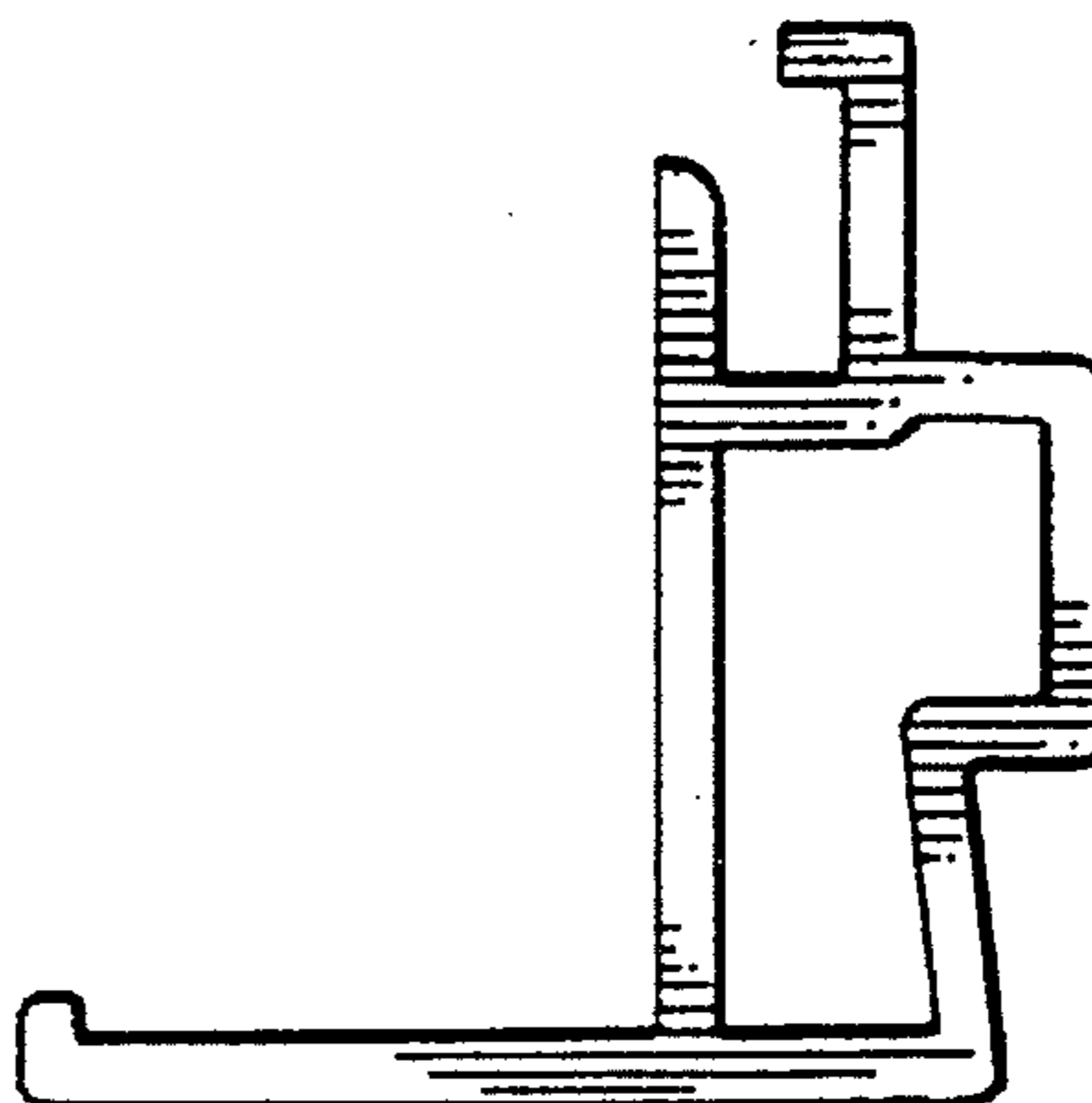


FIG. 2.