



US00D378422S

# United States Patent [19]

[11] Patent Number: **Des. 378,422**

**Howe**

[45] Date of Patent: **\*\*Mar. 11, 1997**

[54] **CORNER JOINER PIECE**

[76] Inventor: **Ian T. Howe**, 19 Ryan Rd., Pakenham Victoria, Australia, 3810

[\*\*] Term: **14 Years**

[21] Appl. No.: **9,841**

[22] Filed: **Jun. 22, 1993**

[30] **Foreign Application Priority Data**

Dec. 22, 1992 [AU] Australia ..... 3750/92

[52] U.S. Cl. .... **D25/102**; D8/354; D25/199

[58] Field of Search ..... D25/102, 139, D25/140; D8/349, 356, 366, 380; 52/276, 555, 557, 730.4, 38, 792.11; 248/220.1; D8/354, 371; 404/41; 52/38, 792.11

[56] **References Cited**

**U.S. PATENT DOCUMENTS**

23,243	5/1894	Crane	.....	D8/356
47,283	5/1915	Eagan	.....	D8/380
D. 175,229	7/1955	Neufeld	.....	D25/102
D. 196,321	9/1963	Framely	.....	D8/356
1,269,583	6/1918	Davis	.....	52/276
1,380,518	6/1921	Bellig	.....	248/220.1
1,599,654	9/1926	Cranston	.....	248/220.1

**FOREIGN PATENT DOCUMENTS**

1183971	10/1957	France	.....	52/730.4
1203070	of 1958	France	.....	248/220.1
525038	of 1957	Italy	.....	404/41

*Primary Examiner*—Louis S. Zarfaz  
*Assistant Examiner*—Gregory Andoll  
*Attorney, Agent, or Firm*—Trask, Britt & Rossa

[57] **CLAIM**

The ornamental design for a corner joiner piece, as shown and described.

**DESCRIPTION**

FIG. 1 is a rear top perspective view of a corner joiner piece showing my new design;

FIG. 2 is a rear elevation thereof when FIG. 1 is viewed in the direction of arrow 2;

FIG. 3 is a front elevation view of FIG. 1 when FIG. 1 is viewed in the direction of arrow 3;

FIG. 4 is a side view of FIG. 1 when FIG. 1 is viewed in the direction of arrow 4;

FIG. 5 is a top plan view of the corner joiner piece of FIG. 1;

FIG. 6 is a bottom plan view of the corner joiner piece of FIG. 1;

FIG. 7 is a perspective view of a second embodiment of my corner joiner piece design;

FIG. 8 is a bottom plan view of the corner piece joiner of FIG. 7;

FIG. 9 is a side view of FIG. 7 when FIG. 7 is viewed in the direction of arrow 9;

FIG. 10 is a top plan view of the corner joiner piece of FIG. 7;

FIG. 11 is a side view of the corner joiner piece of FIG. 7 when FIG. 7 is viewed in the direction of arrow 11;

FIG. 12 is a perspective view of a third embodiment of my corner joiner piece design;

FIG. 13 is a front elevation view of the corner joiner piece of FIG. 12;

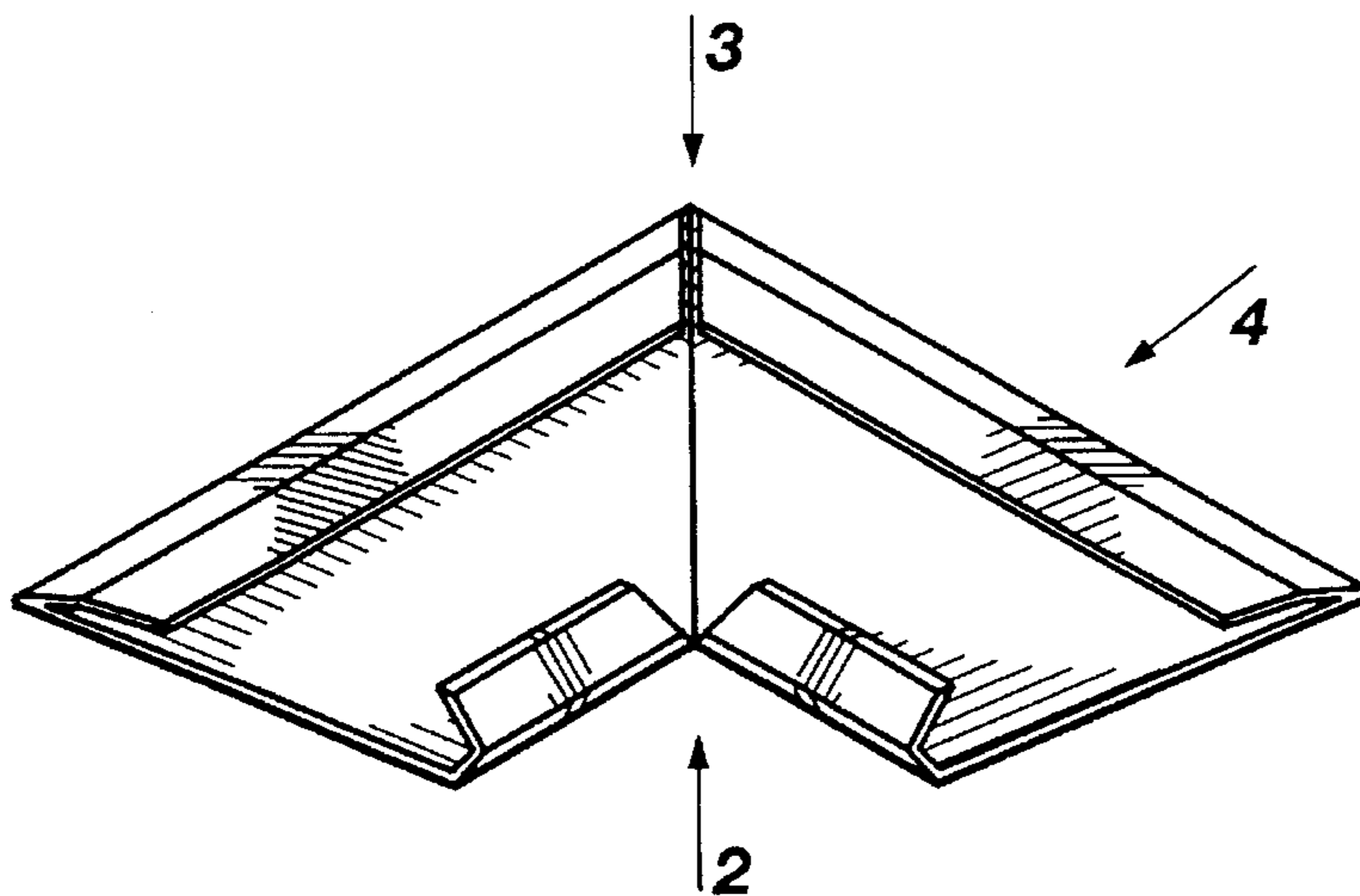
FIG. 14 is a rear elevation view of the corner joint piece of FIG. 12;

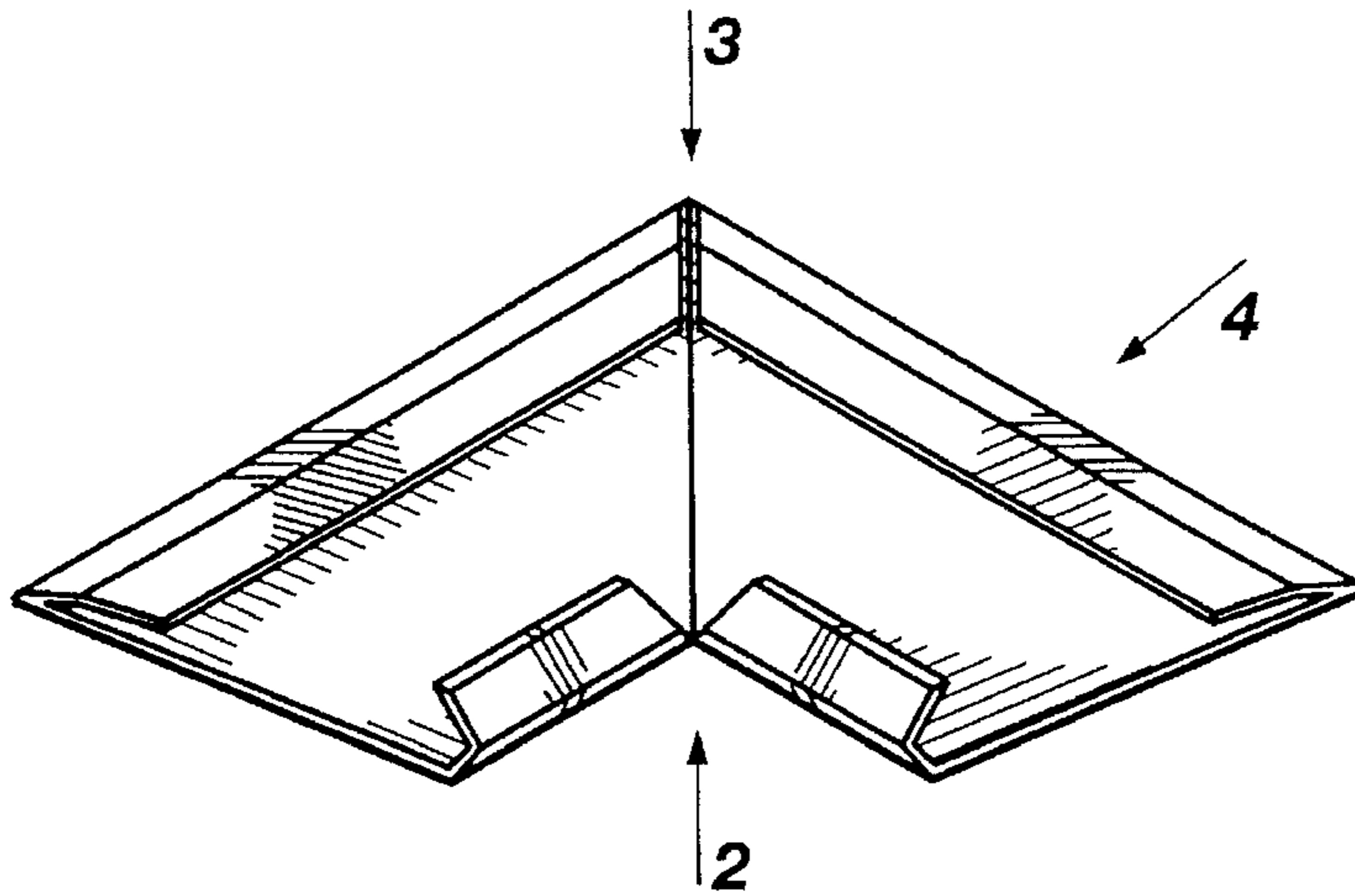
FIG. 15 is a top view of the corner joiner piece of FIG. 12 when FIG. 12 is viewed in the direction of arrow 15;

FIG. 16 is a bottom plan view of the corner piece joiner of FIG. 12; and,

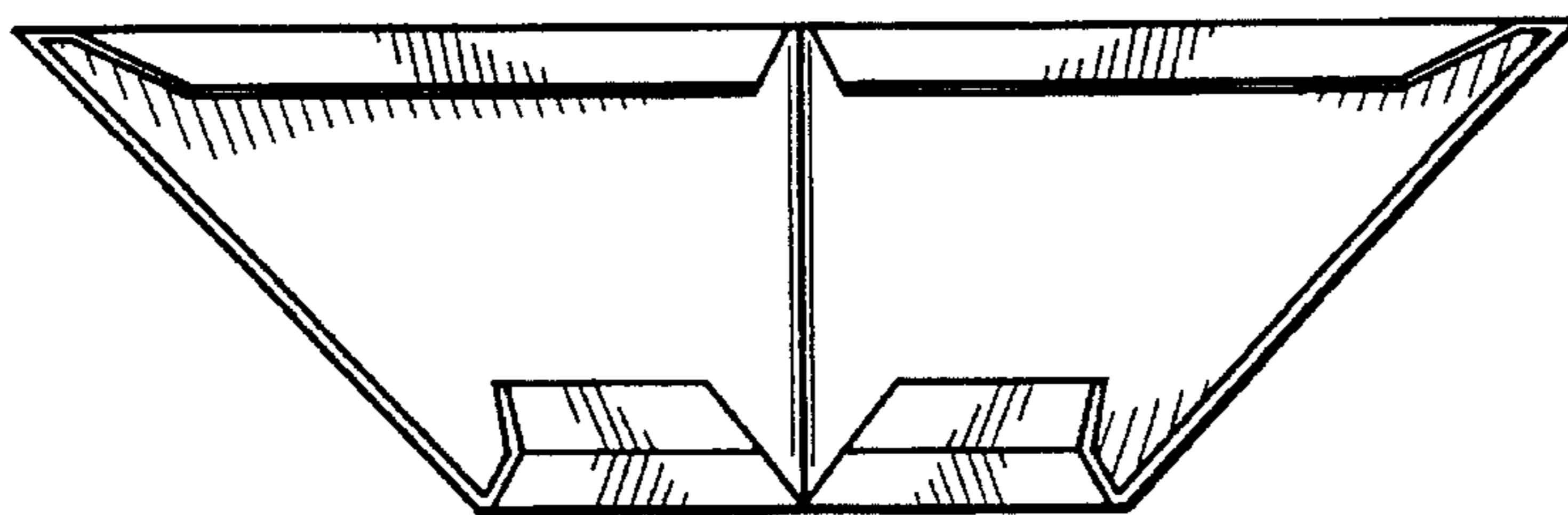
FIG. 17 is an elevational view of FIG. 12 when viewed in the direction of arrow 17.

**1 Claim, 6 Drawing Sheets**

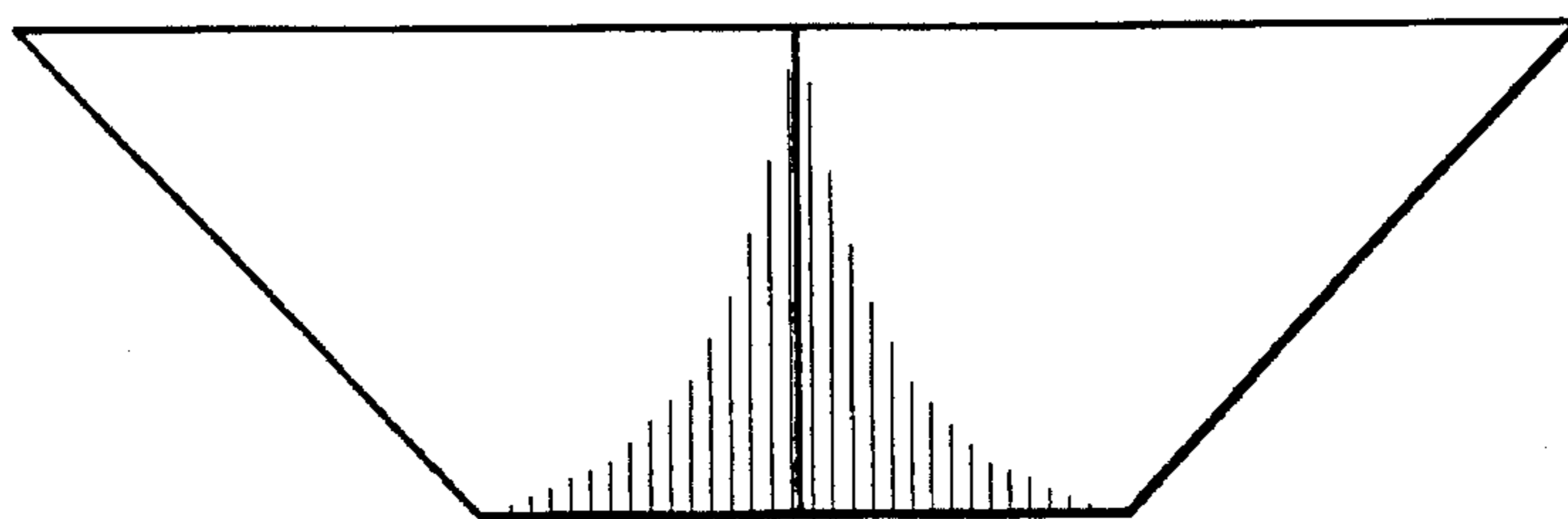




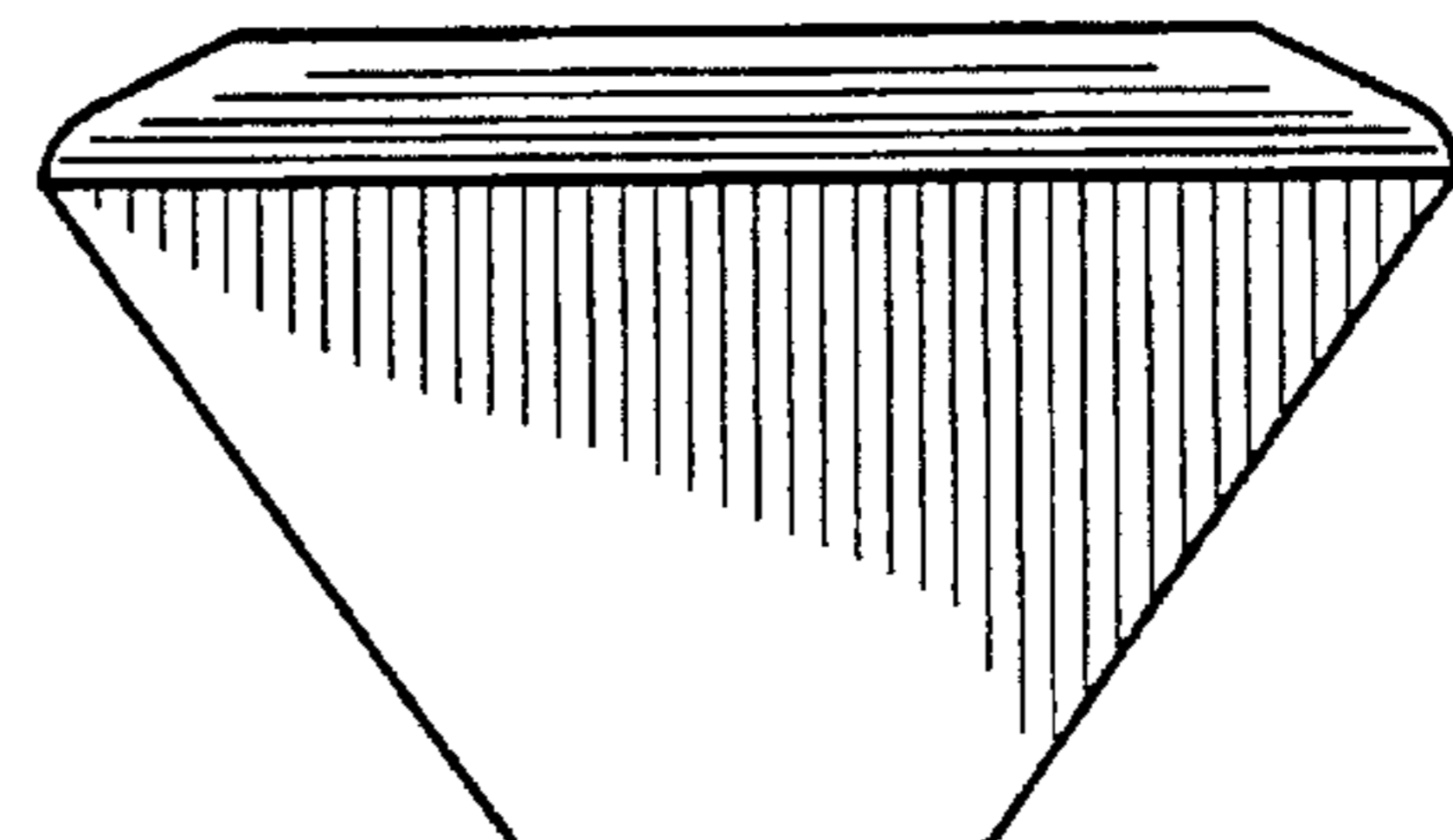
**Fig. 1**



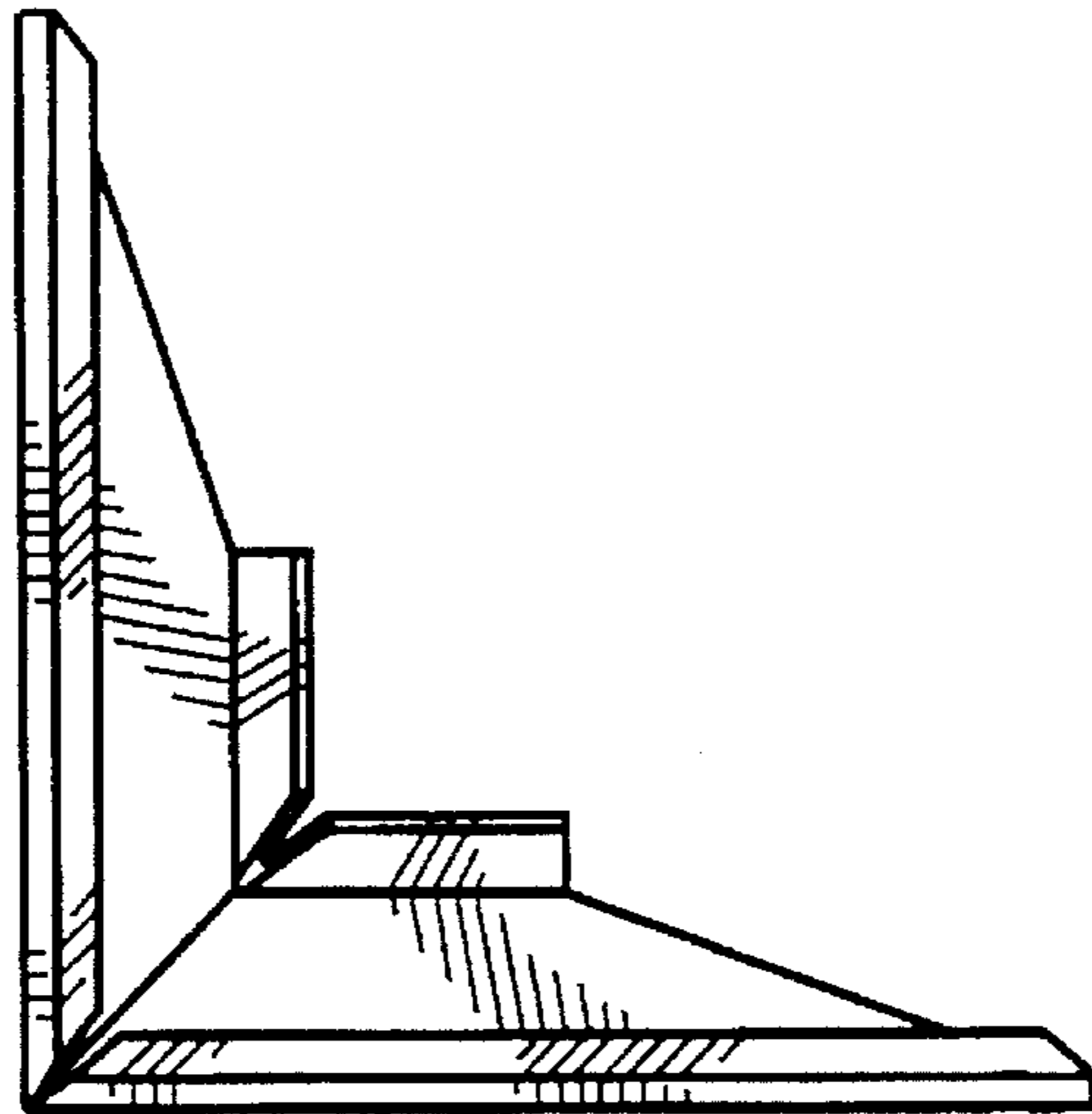
**Fig. 2**



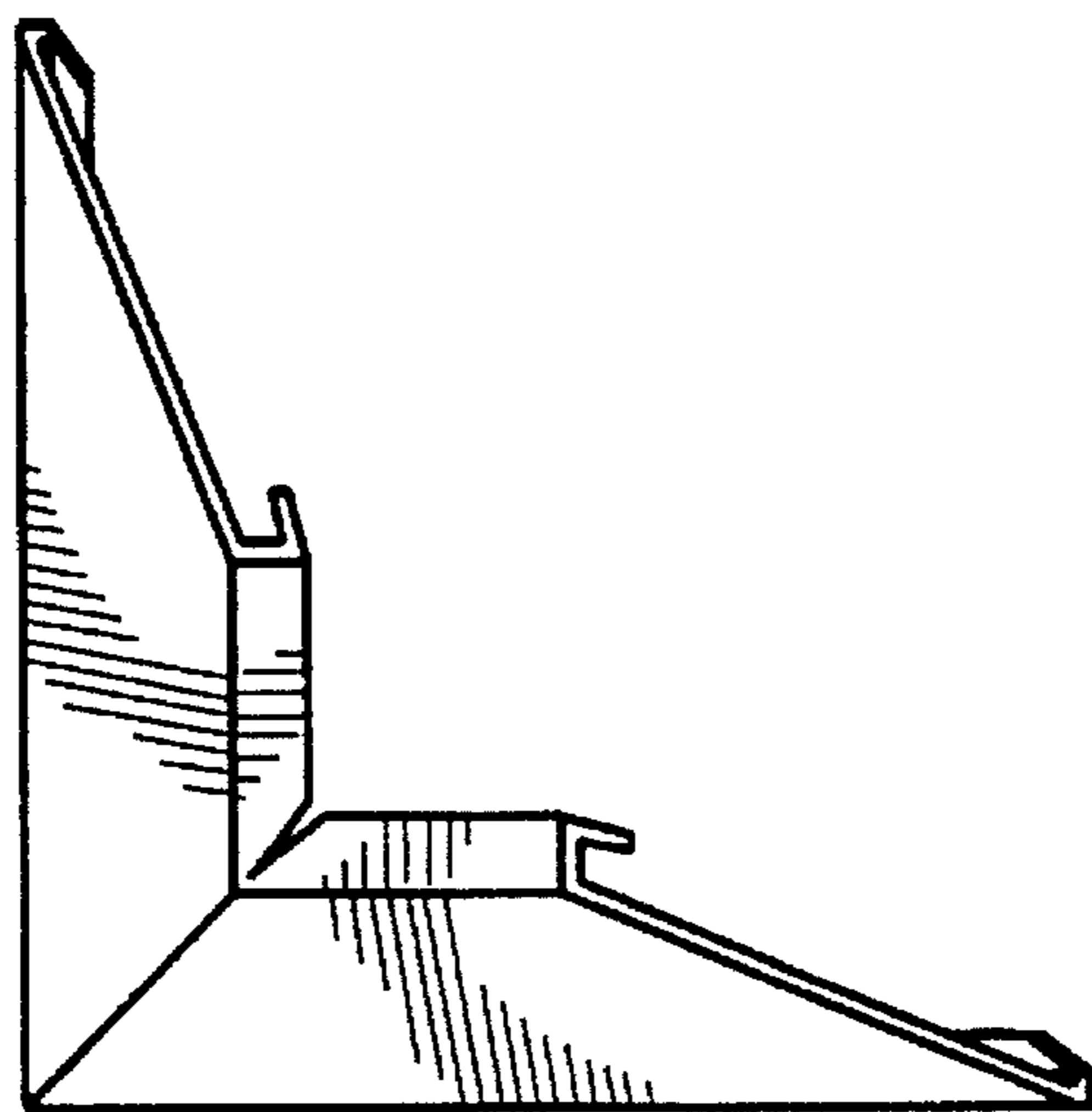
**Fig. 3**



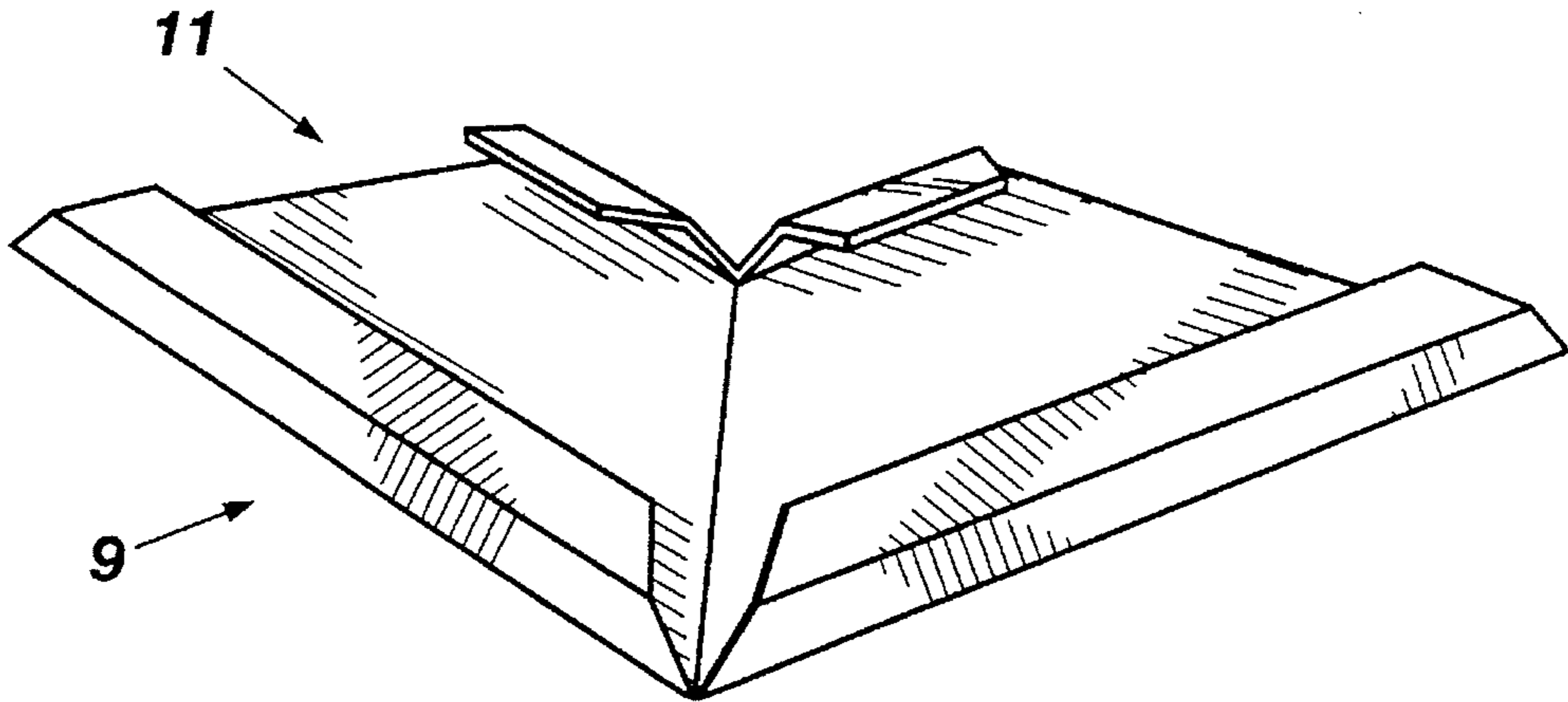
**Fig. 4**



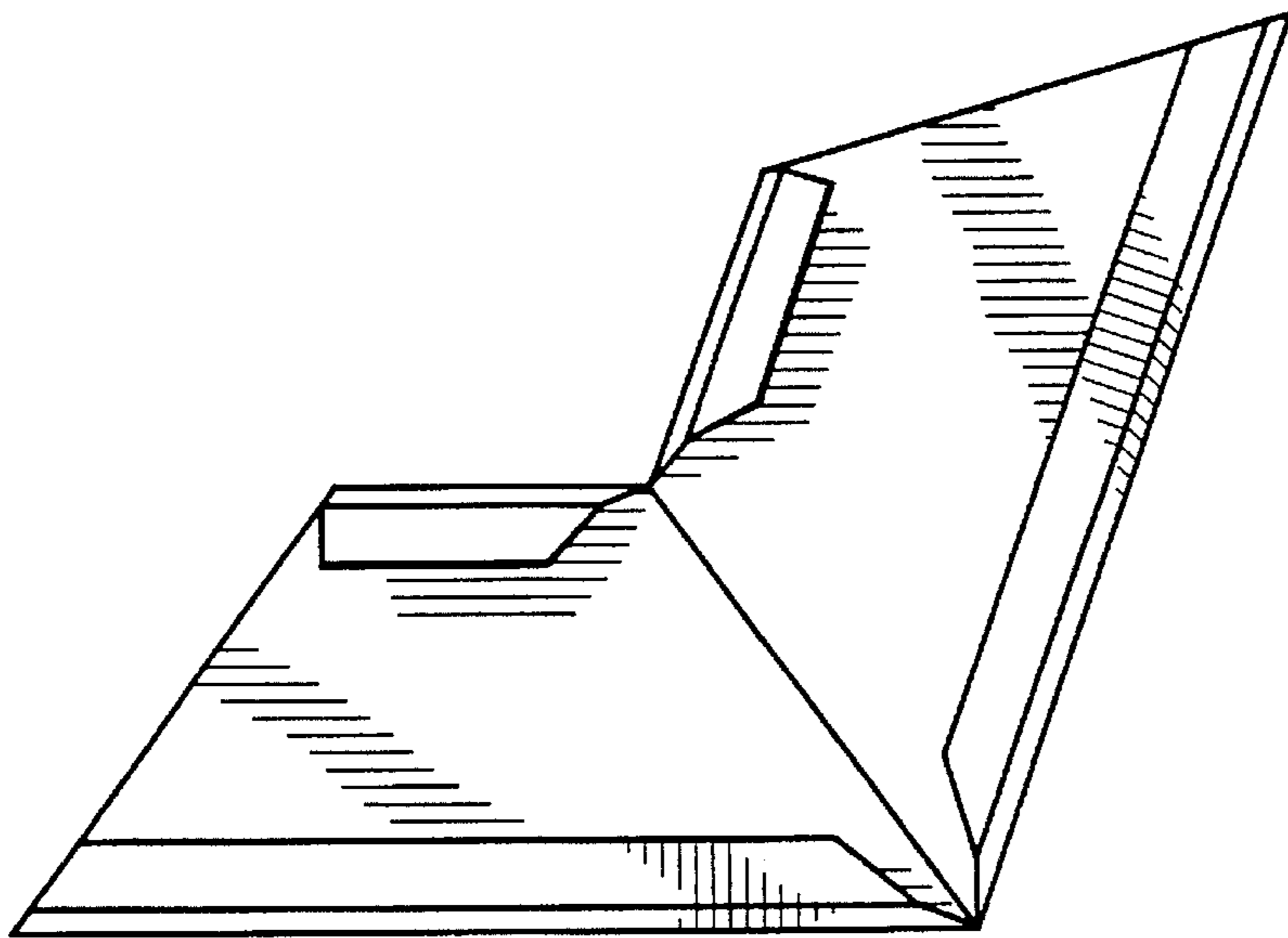
**Fig. 5**



**Fig. 6**



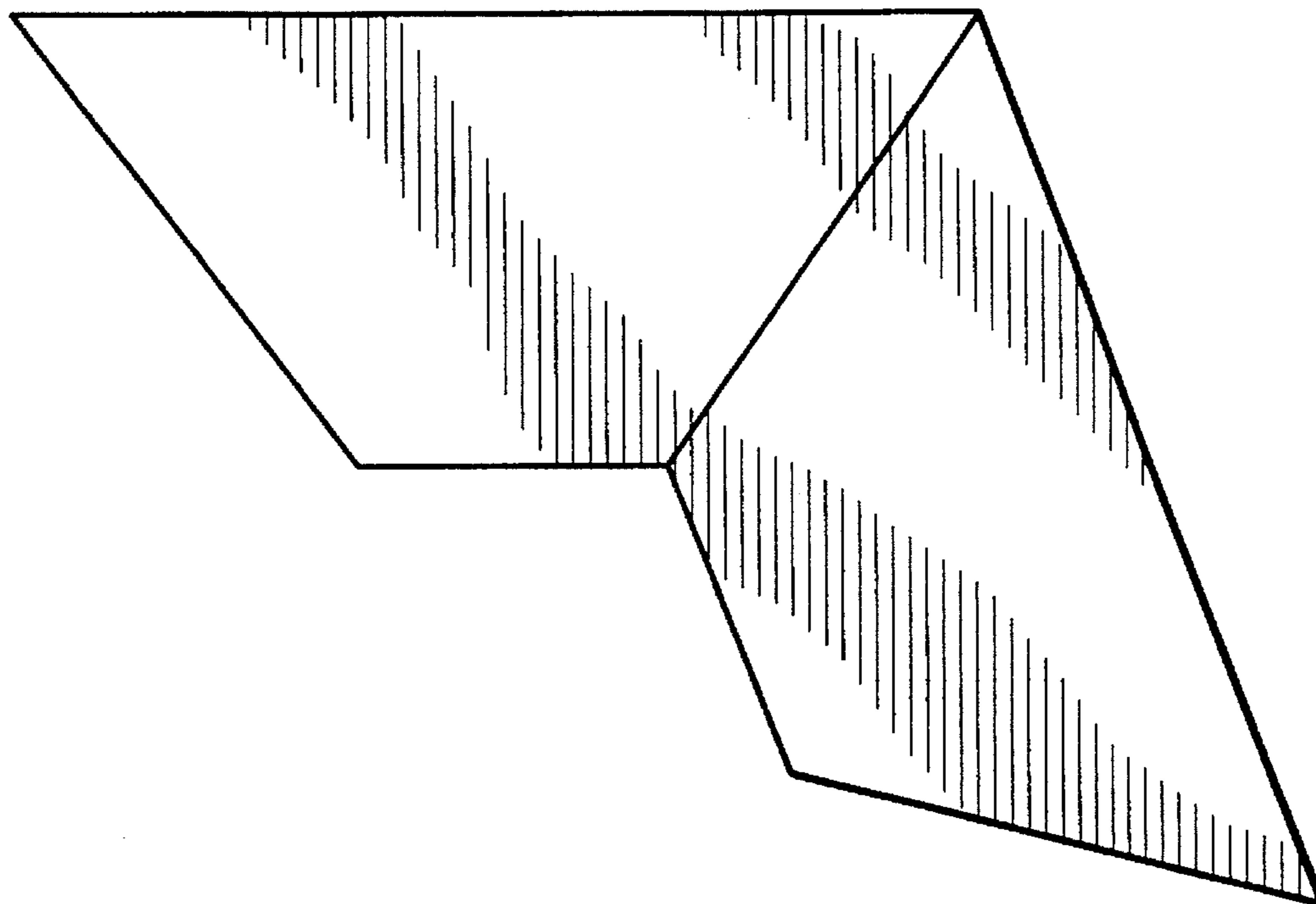
**Fig. 7**



**Fig. 8**



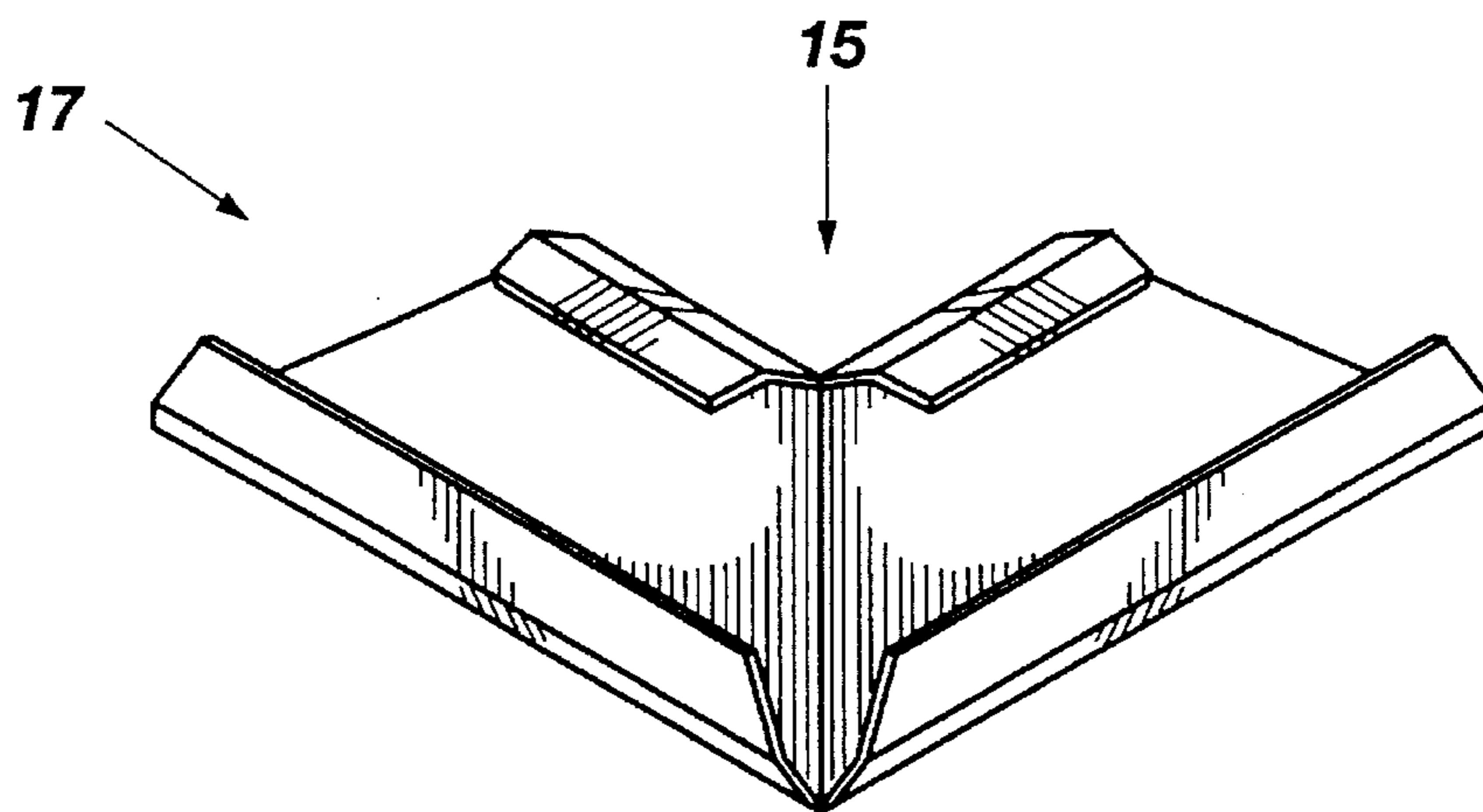
**Fig. 9**



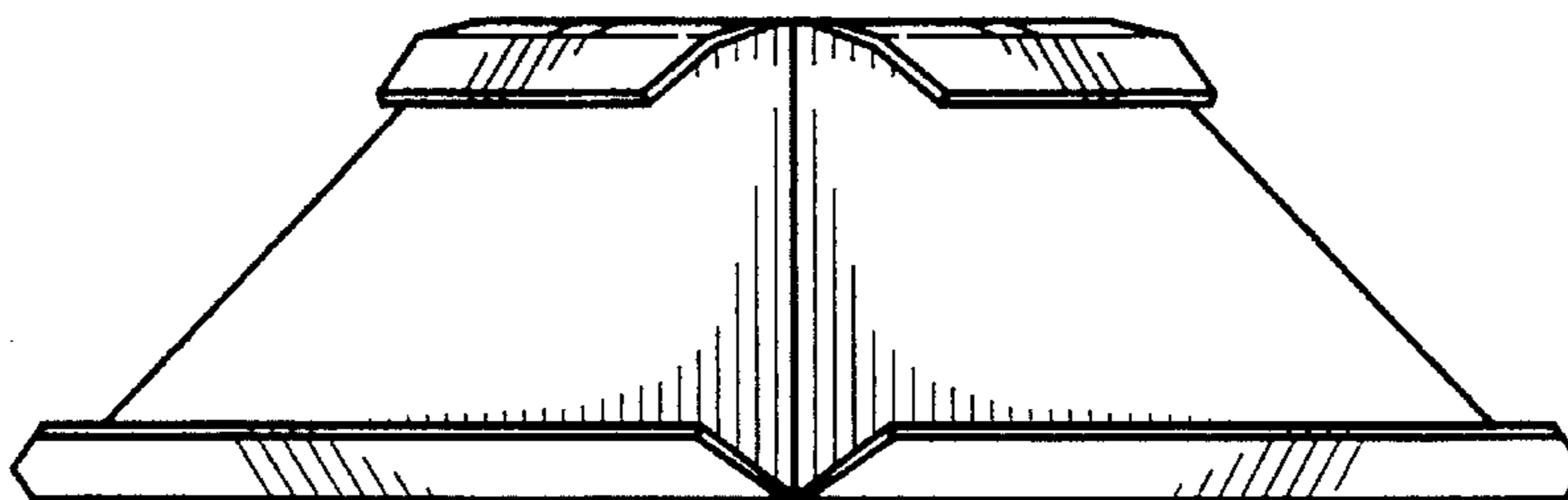
**Fig. 10**



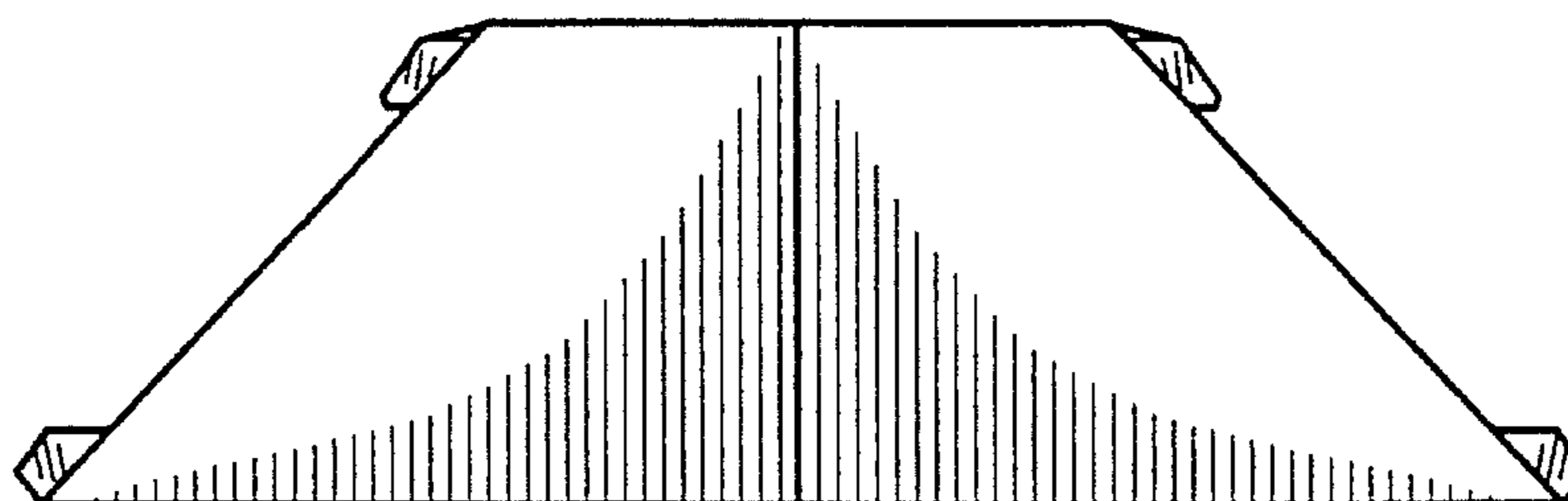
**Fig. 11**



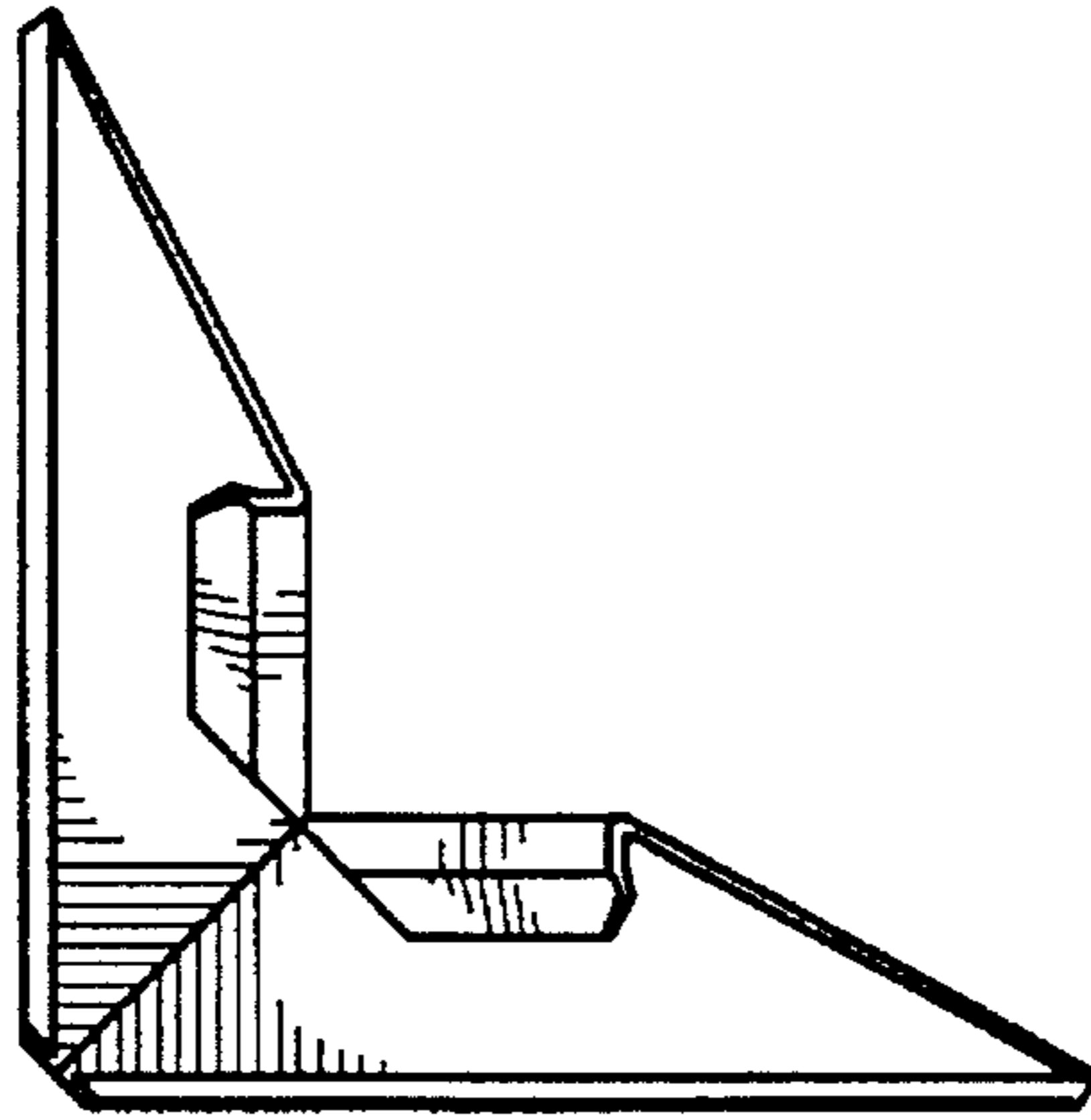
**Fig. 12**



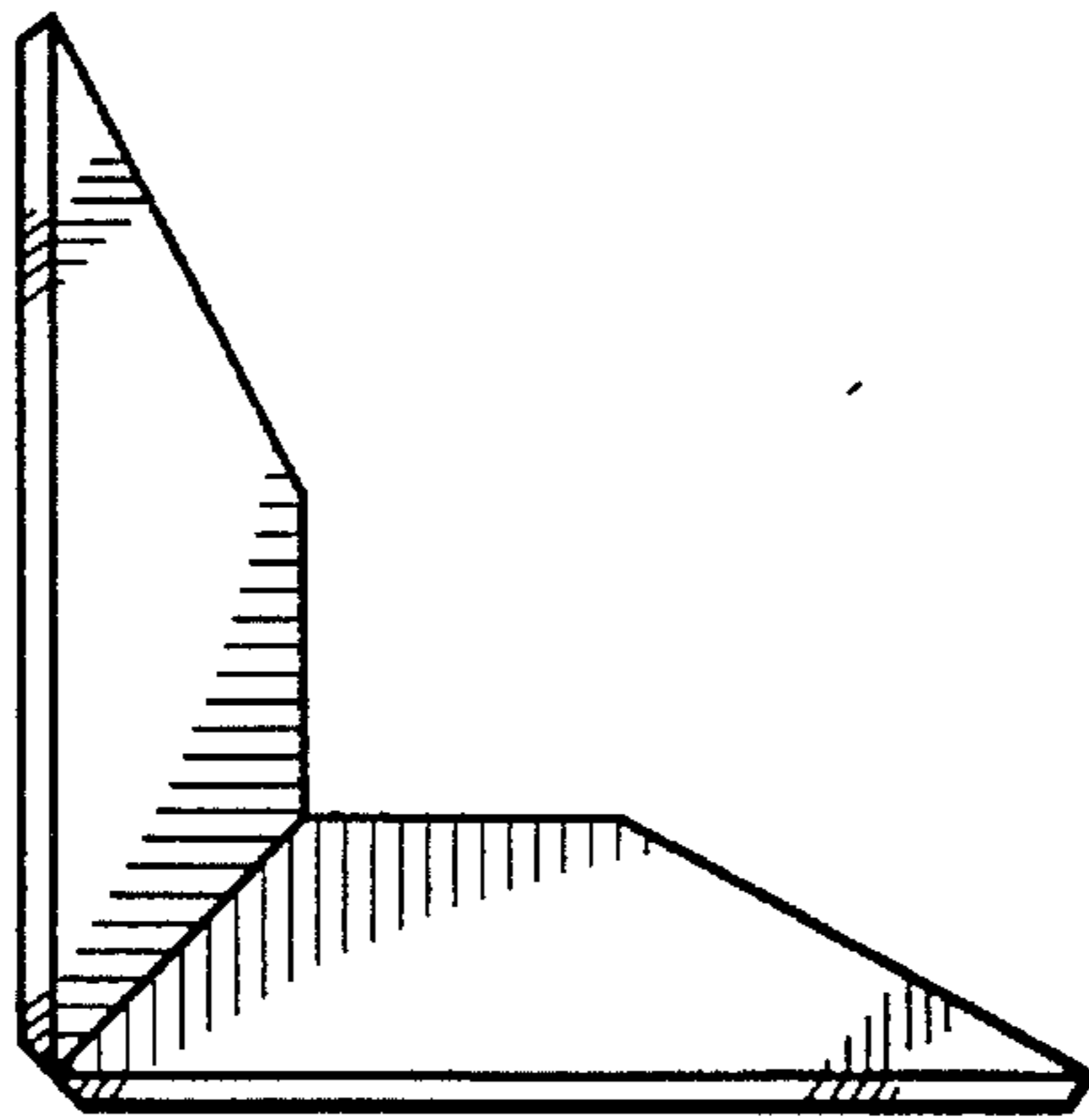
**Fig. 13**



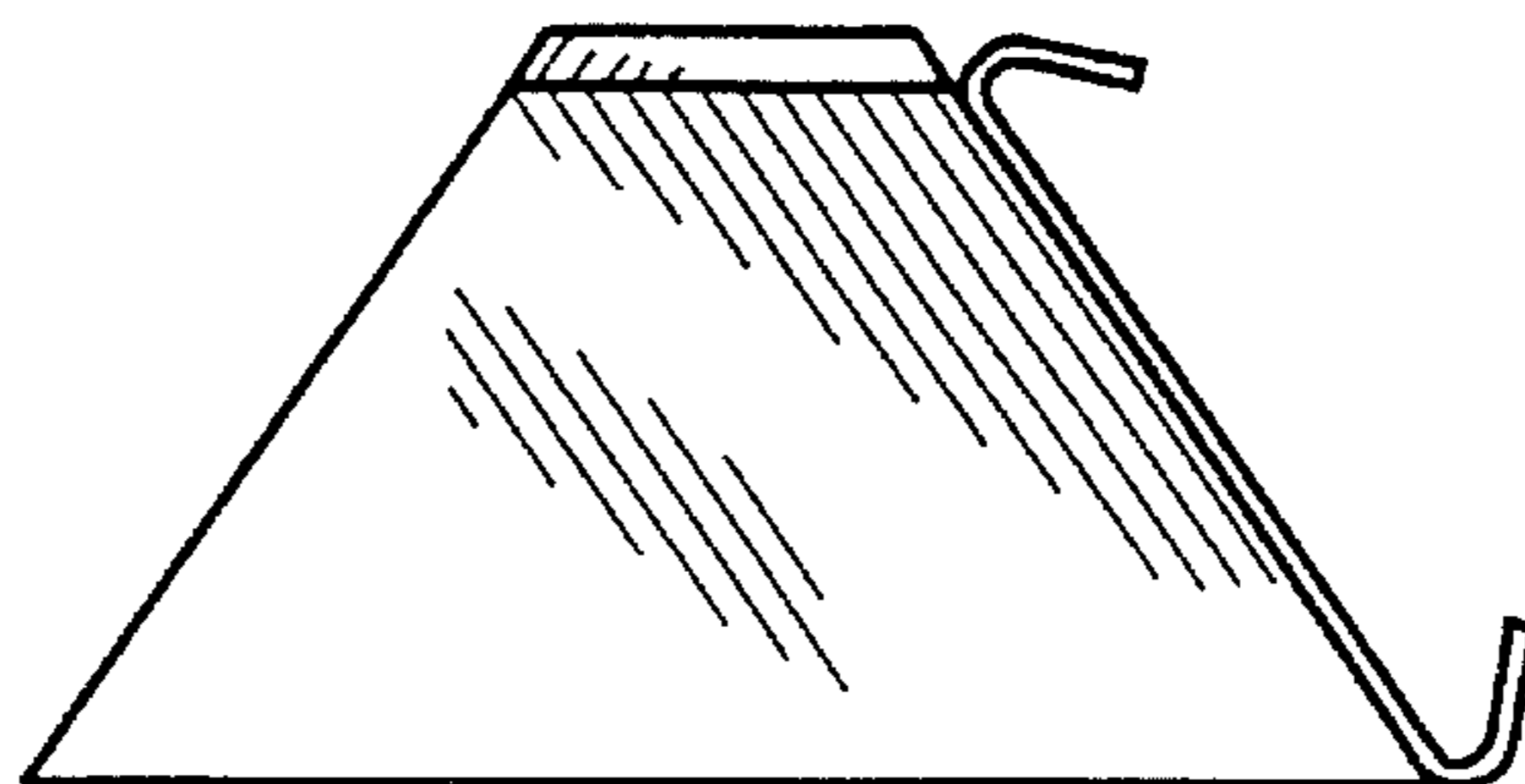
**Fig. 14**



**Fig. 15**



**Fig. 16**



**Fig. 17**