



US00D378420S

United States Patent [19]

Holby, Jr.

[11] Patent Number: Des. 378,420

[45] Date of Patent: **Mar. 11, 1997

[54] BULKHEAD DOOR

3,844,076 10/1974 Schock D25/53

[75] Inventor: Warren B. Holby, Jr., Portsmouth, R.I.

OTHER PUBLICATIONS

Bilco 1981 Catalog p. 15 May 1981.

[73] Assignee: Palmer River Products, Inc., Bristol, R.I.

Primary Examiner—Louis S. Zarfes
Assistant Examiner—Gregory Andoll
Attorney, Agent, or Firm—Salter & Michaelson

[**] Term: 14 Years

[57] CLAIM

[21] Appl. No.: 32,997

The ornamental design for a bulkhead door, as shown and described.

[22] Filed: Jan. 3, 1995

[52] U.S. Cl. D25/48; D25/35

[58] Field of Search D25/35, 53-54, D25/47, 48, 49; 52/107, 168, 171.3, 169.6

DESCRIPTION

[56] References Cited

U.S. PATENT DOCUMENTS

D. 196,968	11/1963	Polhemus	D25/54
D. 201,071	6/1965	Faubion	D25/54
D. 213,867	4/1969	Perlman et al.	D25/53
D. 237,523	11/1975	Johnson et al.	D25/54
D. 266,105	9/1982	Arrington	D25/54
D. 273,994	5/1984	Naka	D25/48
732,275	6/1903	Clark	D25/35
984,942	2/1911	Leddy	52/107
1,803,091	4/1913	Bemis	52/107
1,841,381	1/1932	Price	52/186
3,085,489	4/1963	Ivy	D25/54

FIG. 1 is a perspective view of a bulkhead door showing my new design wherein the bulkhead door is located in a closed position thereof on a foundation that is illustrated in broken lines;

FIG. 2 is a top plan view thereof;

FIG. 3 is an elevational view of one side thereof;

FIG. 4 is an elevational view of the other side thereof; and,

FIG. 5 is a front elevational view thereof.

The broken lines showing the foundation is for illustrative purposes only and forms no part of the claimed design.

The rear and the bottom of the bulkhead door forms no part of the claimed design.

1 Claim, 2 Drawing Sheets

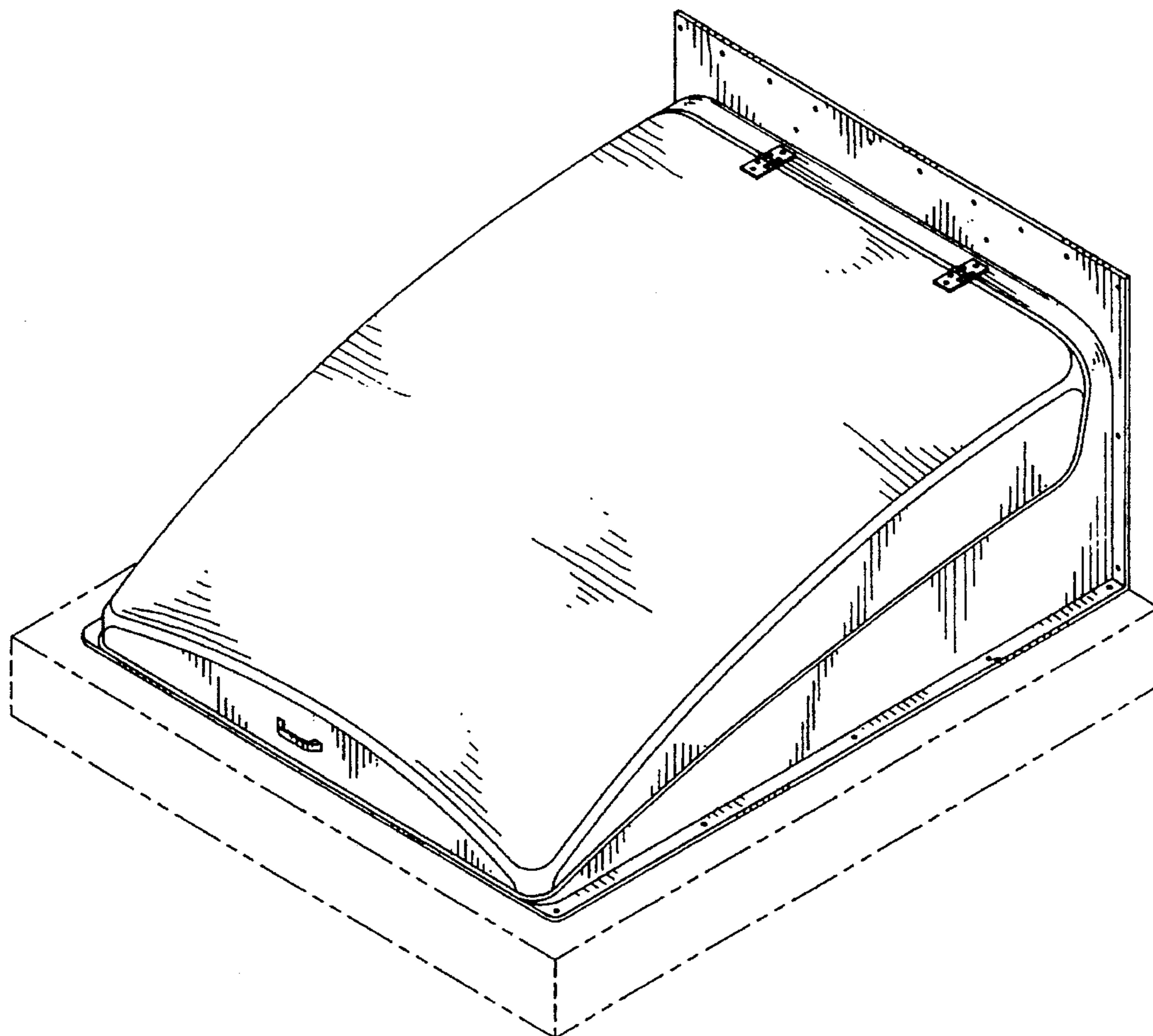


FIG. 1

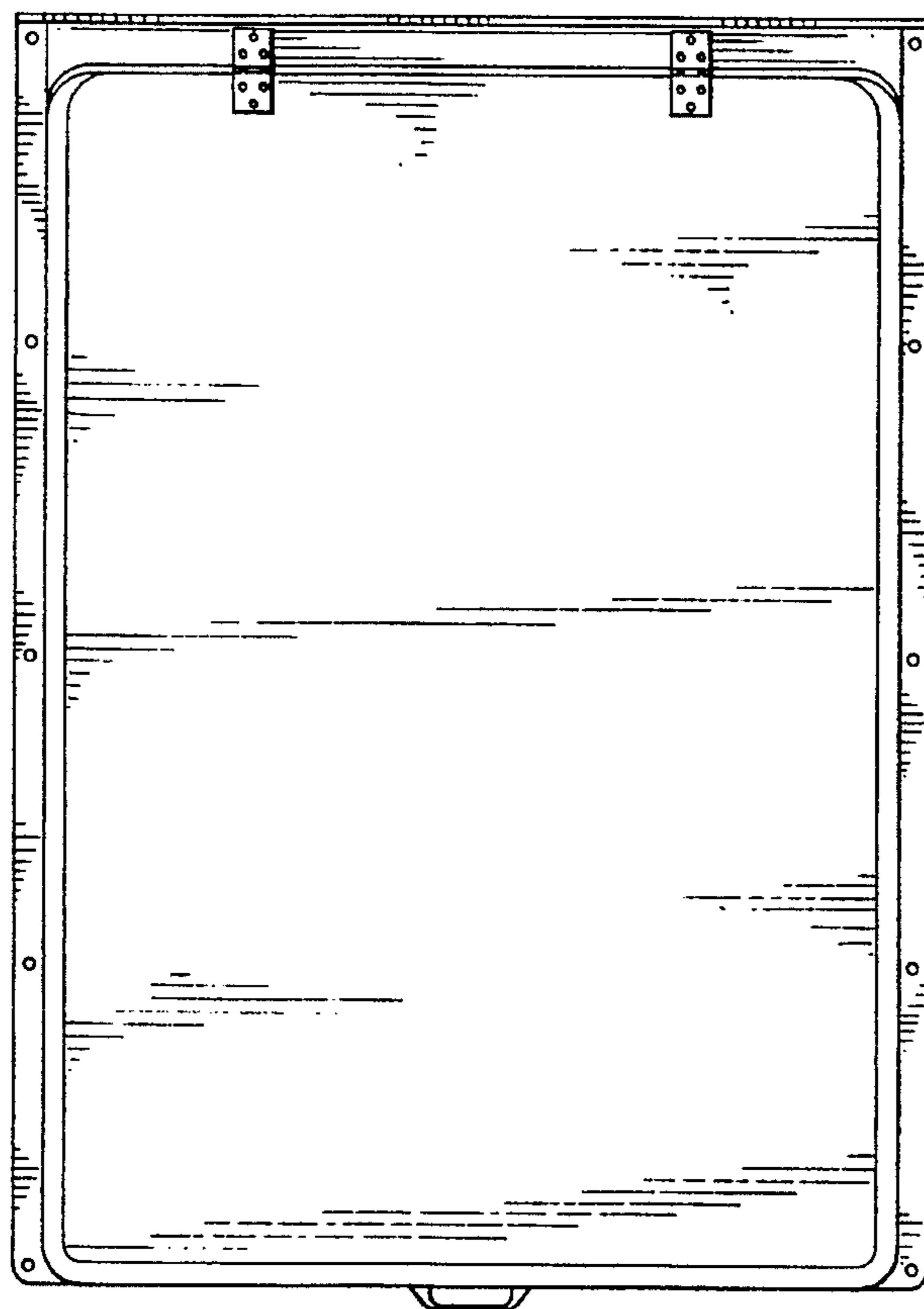
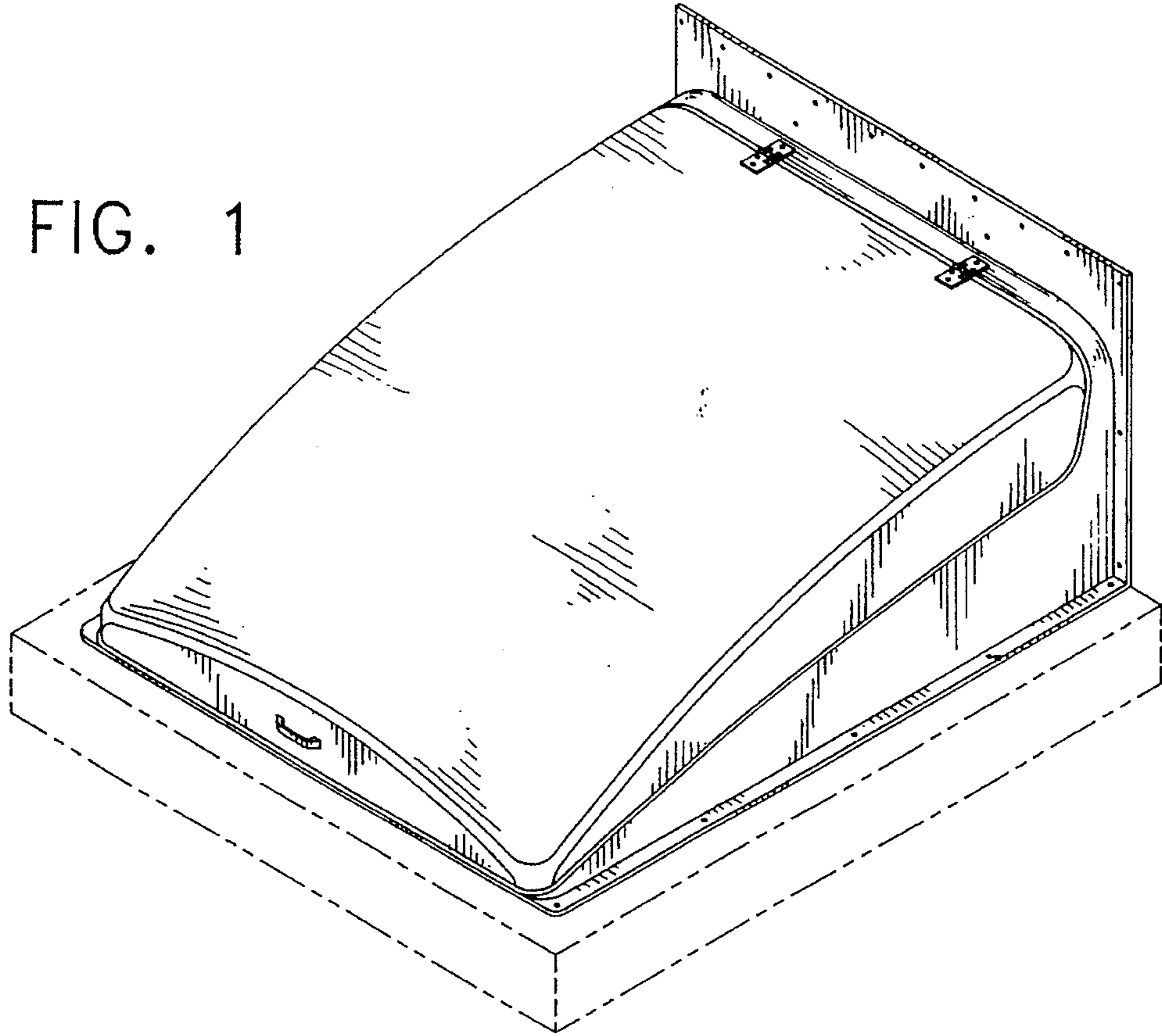


FIG. 2

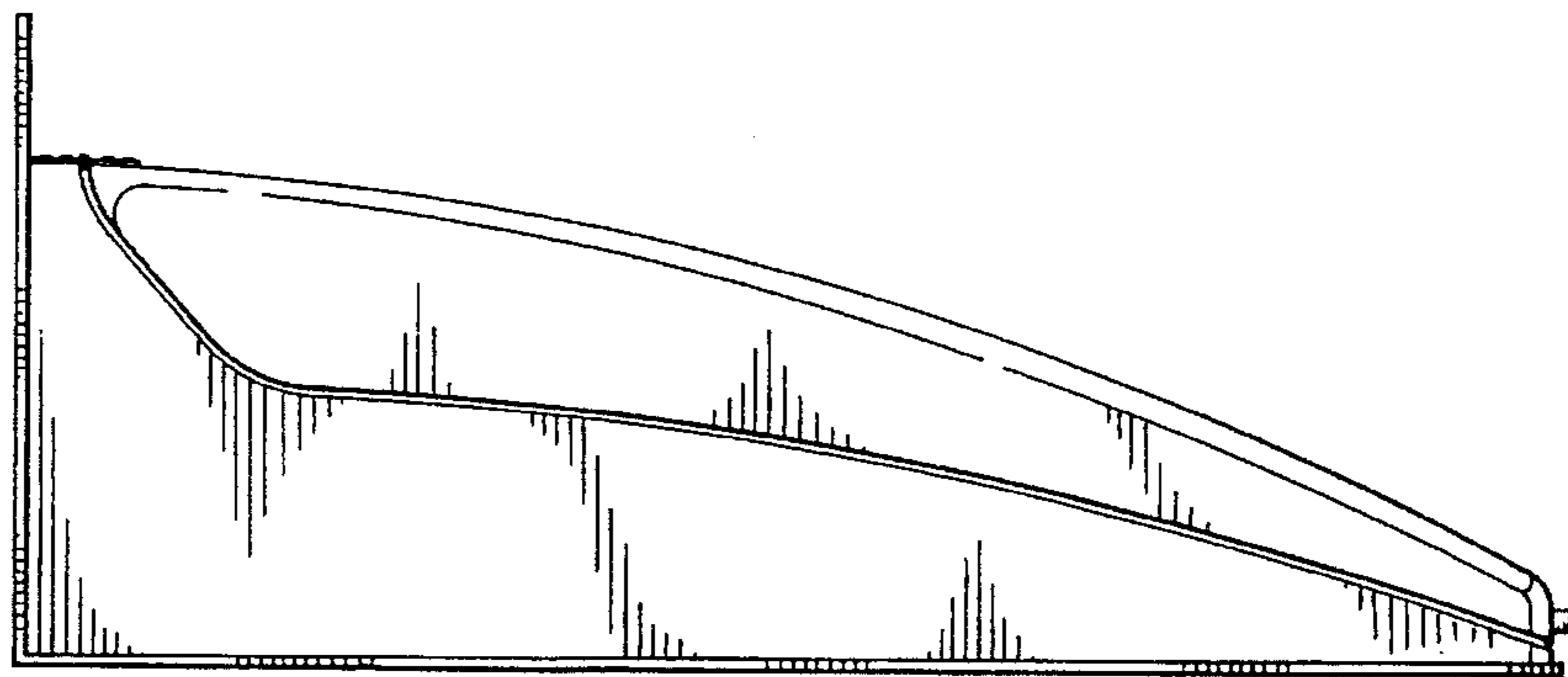


FIG. 3

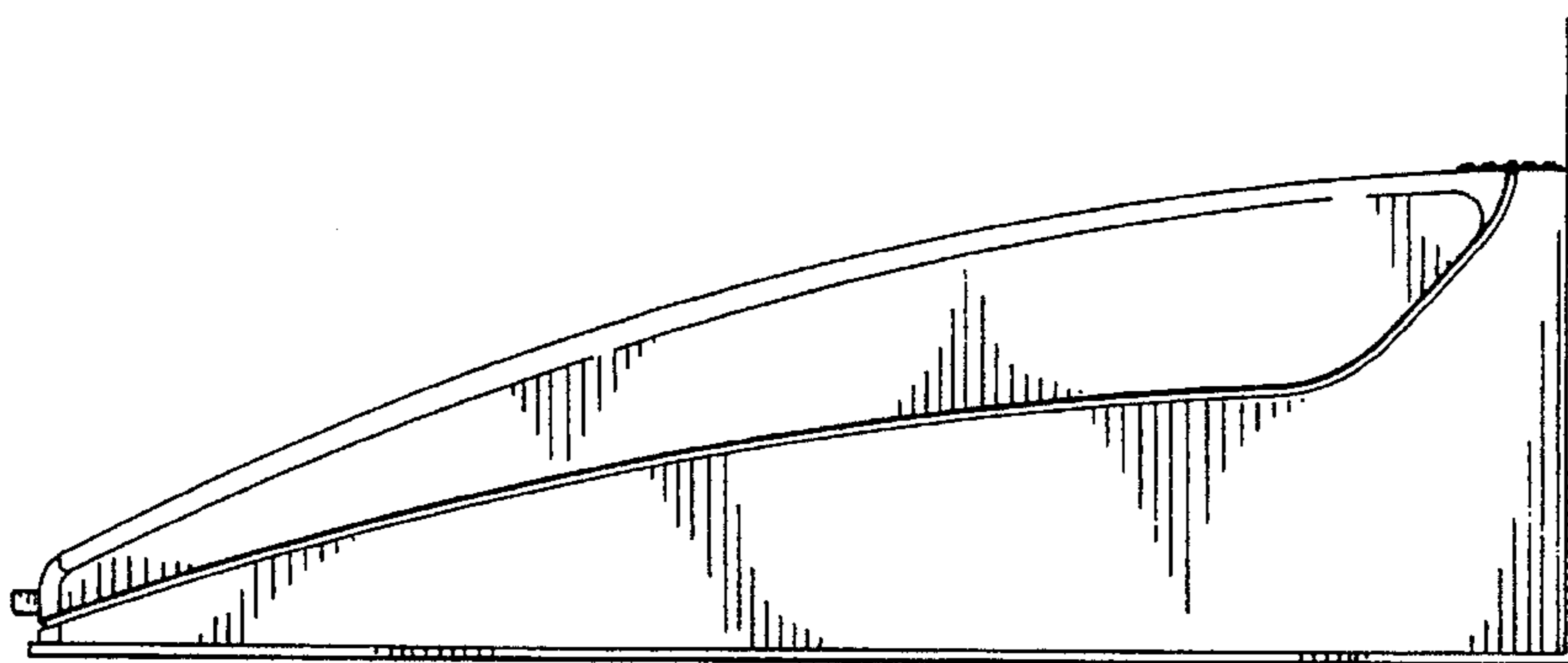


FIG. 4

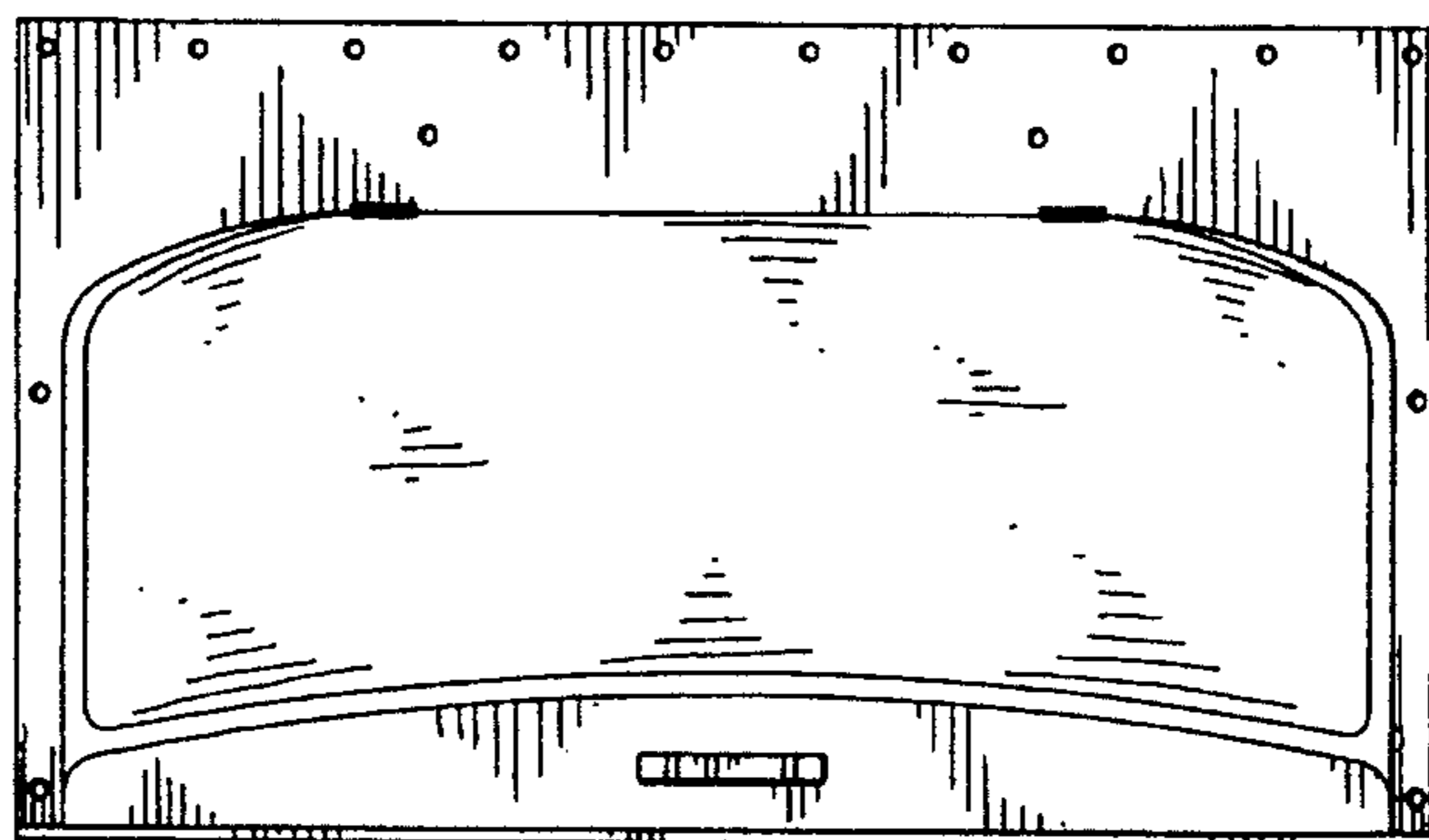


FIG. 5