



US00D378416S

United States Patent [19]

[11] **Patent Number: Des. 378,416**

LaPlante et al.

[45] **Date of Patent: **Mar. 11, 1997**

[54] **DENTAL CONTROL UNIT**

[75] Inventors: **Pierre M. LaPlante**, Newberg; **Carl G. Nordstrom**, Lake Oswego; **George K. Austin, Jr.**, Newberg, all of Oreg.

[73] Assignee: **A-Dec, Inc.**, Newberg, Oreg.

[**] Term: **14 Years**

[21] Appl. No.: **44,744**

[22] Filed: **Sep. 27, 1995**

[52] U.S. Cl. **D24/177**

[58] Field of Search **D24/176, 177; 433/28, 27, 79**

Decade Handpiece Controls (3 pages) Sep. 1987 from A-Dec Equipment Catalog.

Marus Dental Products Catalog (3 pages) Nov. 1980.

Robin Dental Company Products Catalog (3 pages) Nov. 1980.

Pelton & Crane "Ranger" Specification (2 pages) Feb. 1978.

Primary Examiner—Kay H. Chin

Attorney, Agent, or Firm—Klarquist Sparkman Campbell Leigh & Whinston, LLP

[57] CLAIM

The ornamental design for a dental control unit, as shown and described.

DESCRIPTION

FIG. 1 is a top perspective view of a dental control unit showing our new design;

FIG. 2 is a bottom perspective view;

FIG. 3 is a right-side elevational view;

FIG. 4 is a left-side elevational view;

FIG. 5 is a front elevational view;

FIG. 6 is a back elevational view;

FIG. 7 is a top plan view; and,

FIG. 8 is a bottom plan view.

The broken lines shown in FIGS. 2, 4, 5, 6, 7 and 8 are for illustrative purposes only and form no part of the claimed design.

[56] References Cited

U.S. PATENT DOCUMENTS

D. 218,165	7/1970	Schleicher .	
D. 243,188	1/1977	Meyer	D24/177
D. 328,791	8/1992	Nordstrom .	
D. 361,620	8/1995	Phleps et al.	D24/177
5,273,427	12/1993	Austin, Jr. .	
5,295,825	3/1994	Betush	433/28

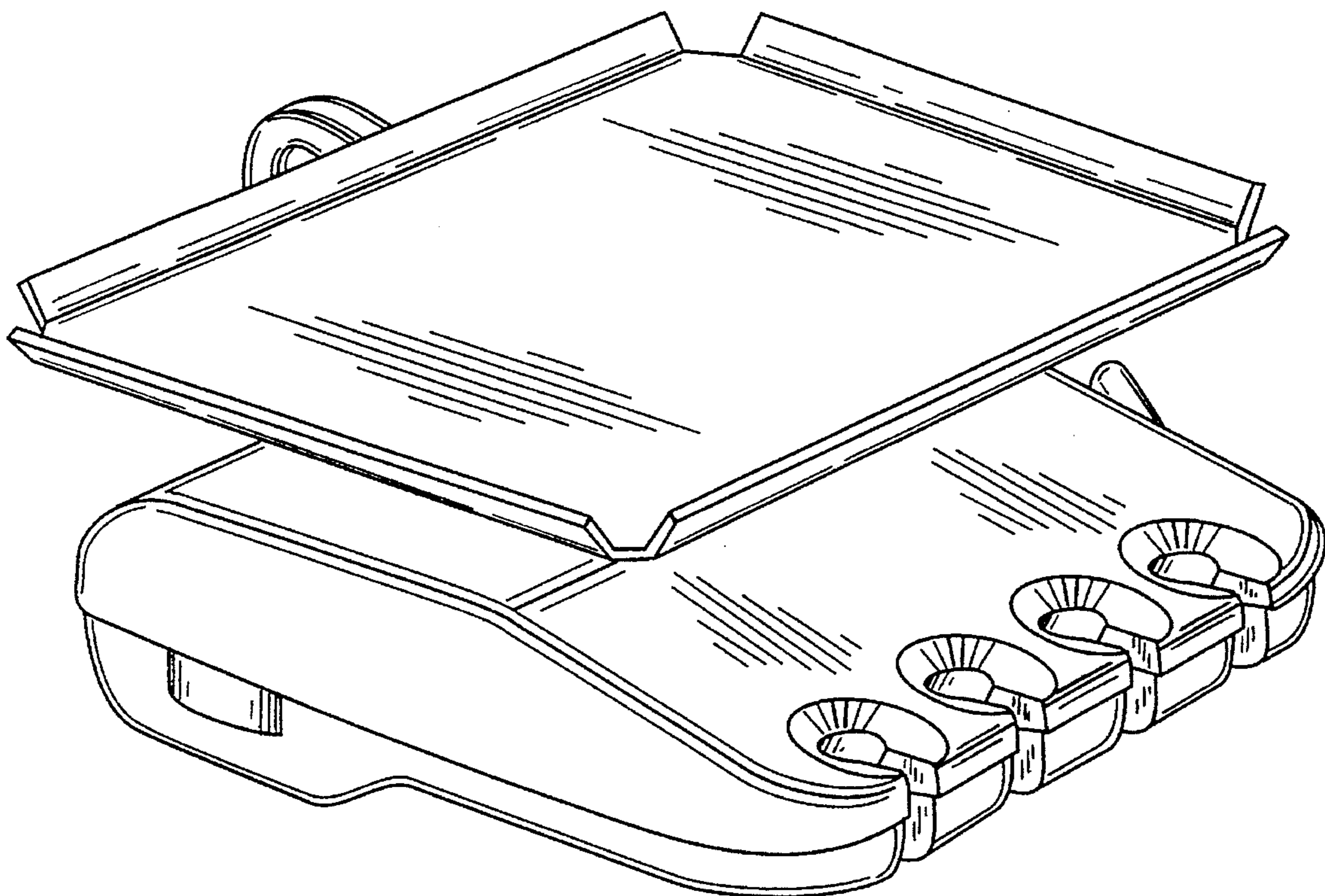
OTHER PUBLICATIONS

Belmont: "Pro II" Chair Specification (8 pages), Jan. 1986.

Sirona: Instrument Specifications.

Porta-Cart, Tri-Pac, Porta-Dec Specifications (A-Dec Equipment Catalog 1991).

1 Claim, 4 Drawing Sheets



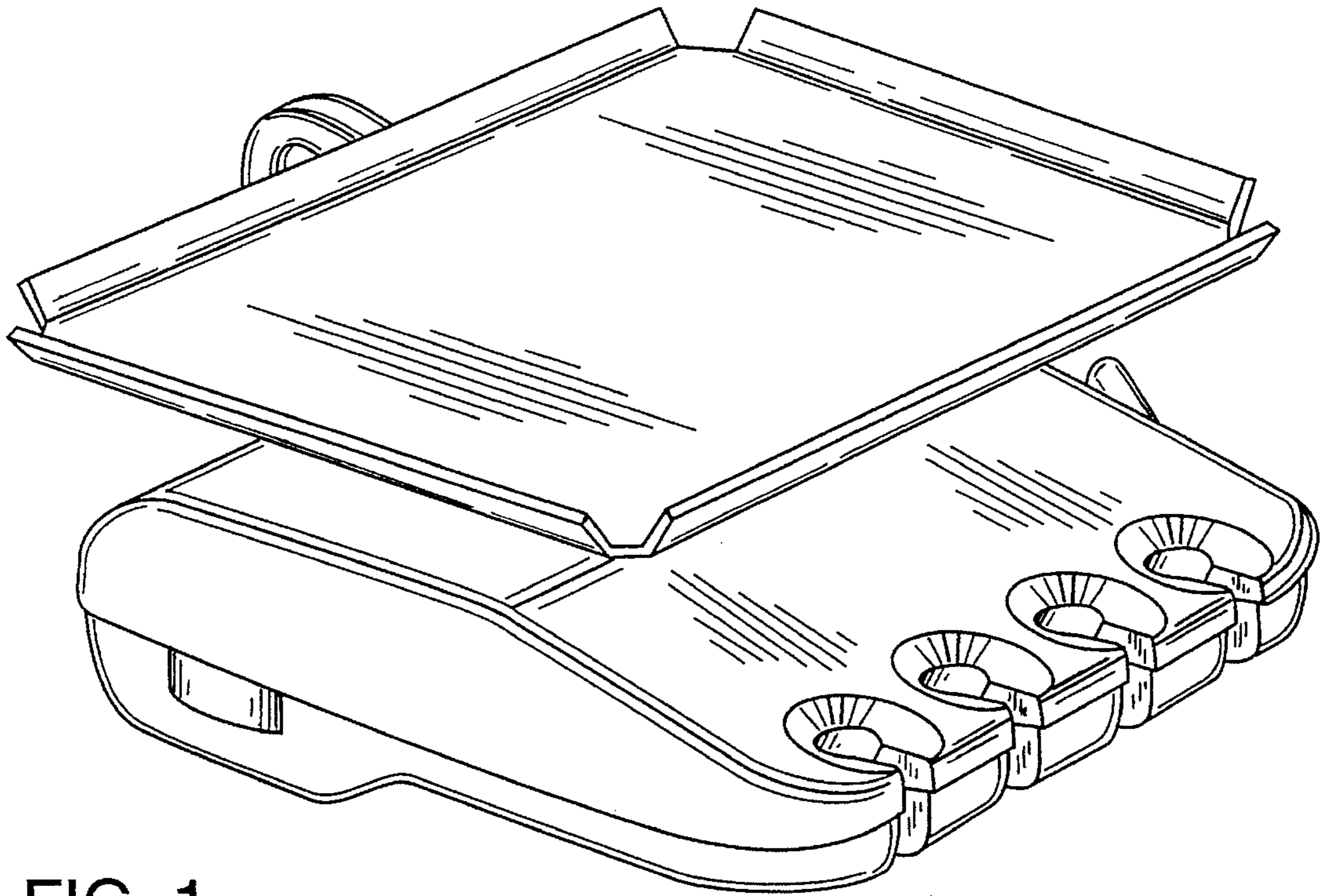


FIG. 1

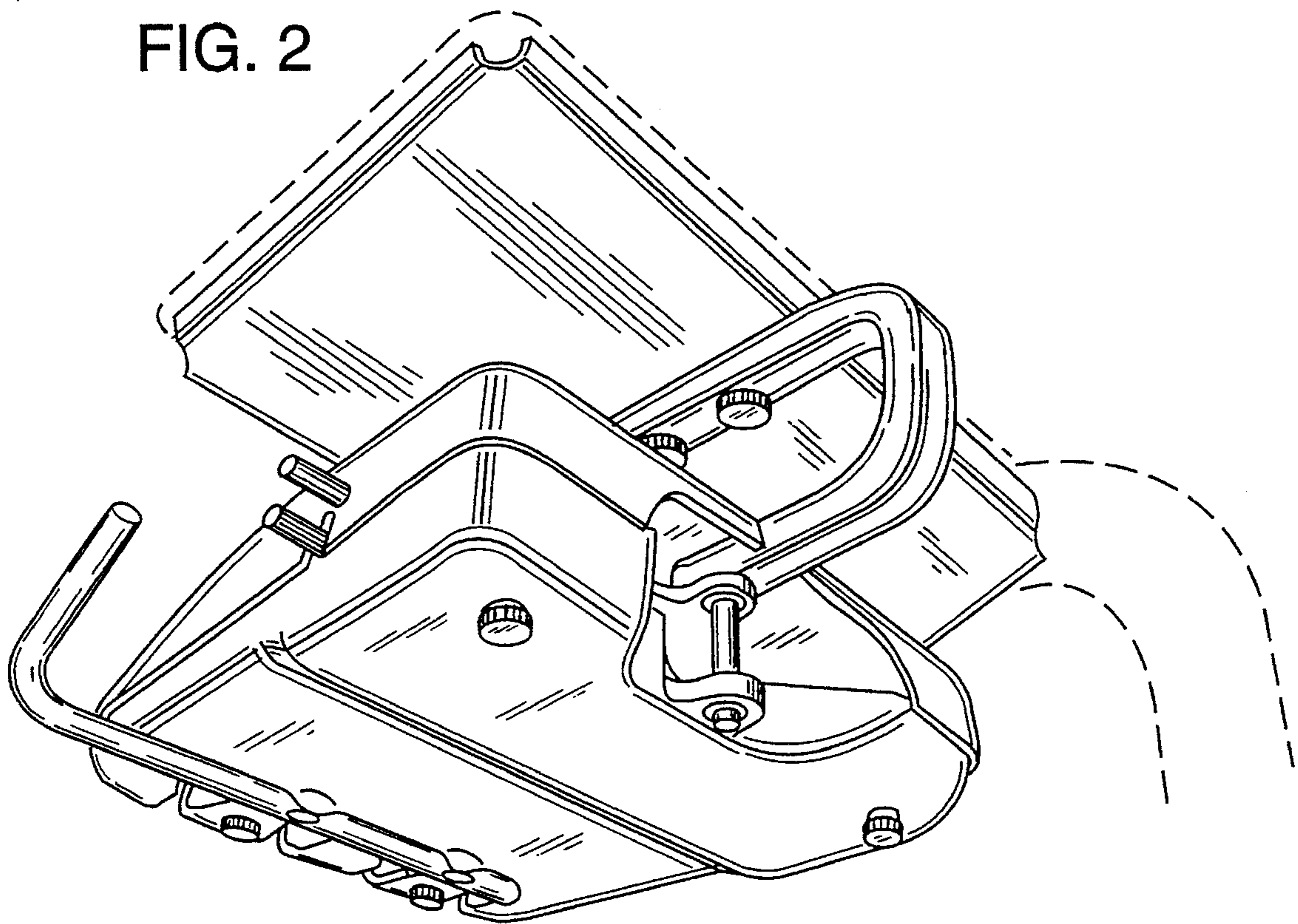


FIG. 2

FIG. 3

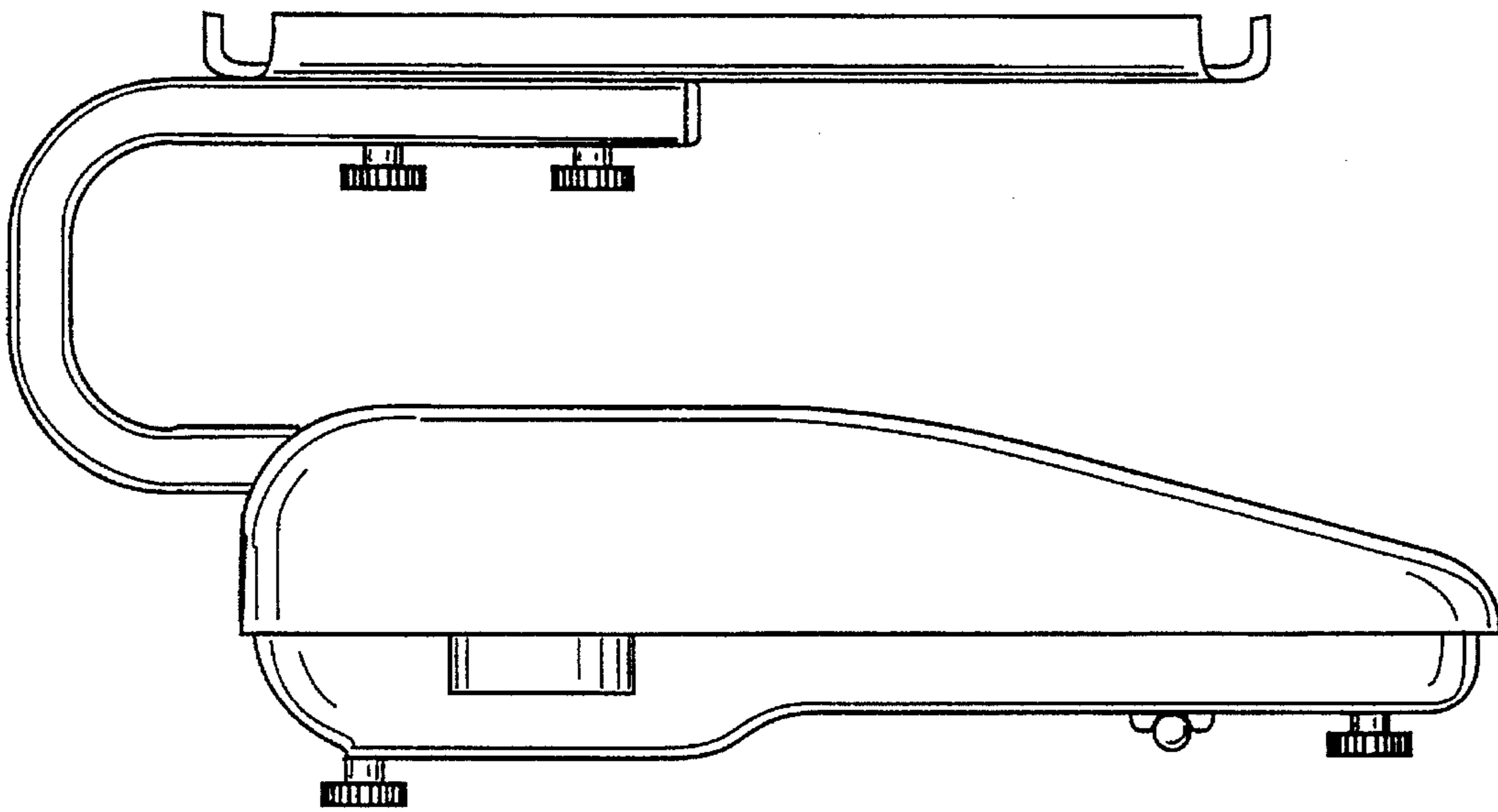


FIG. 4

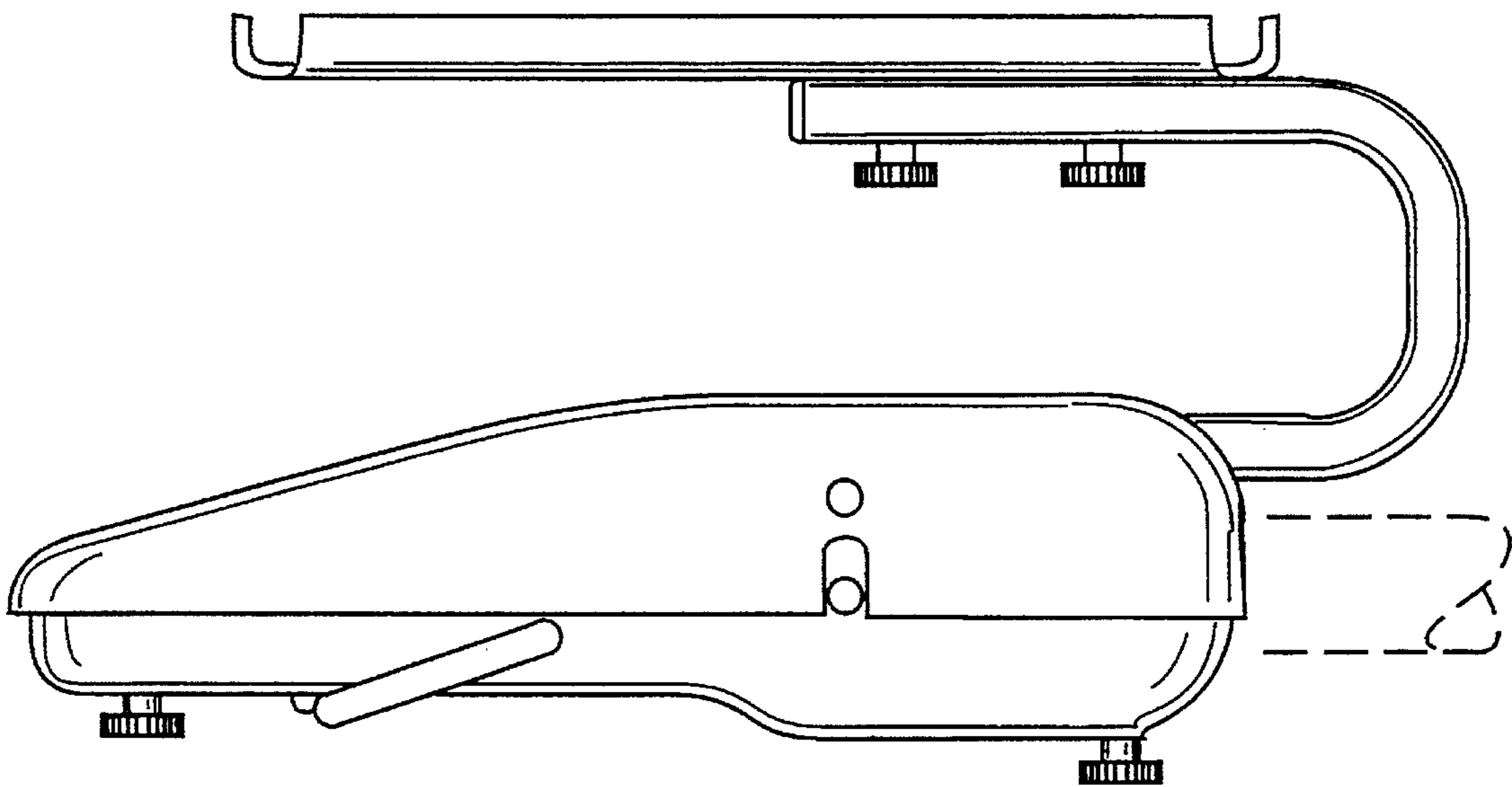


FIG. 5

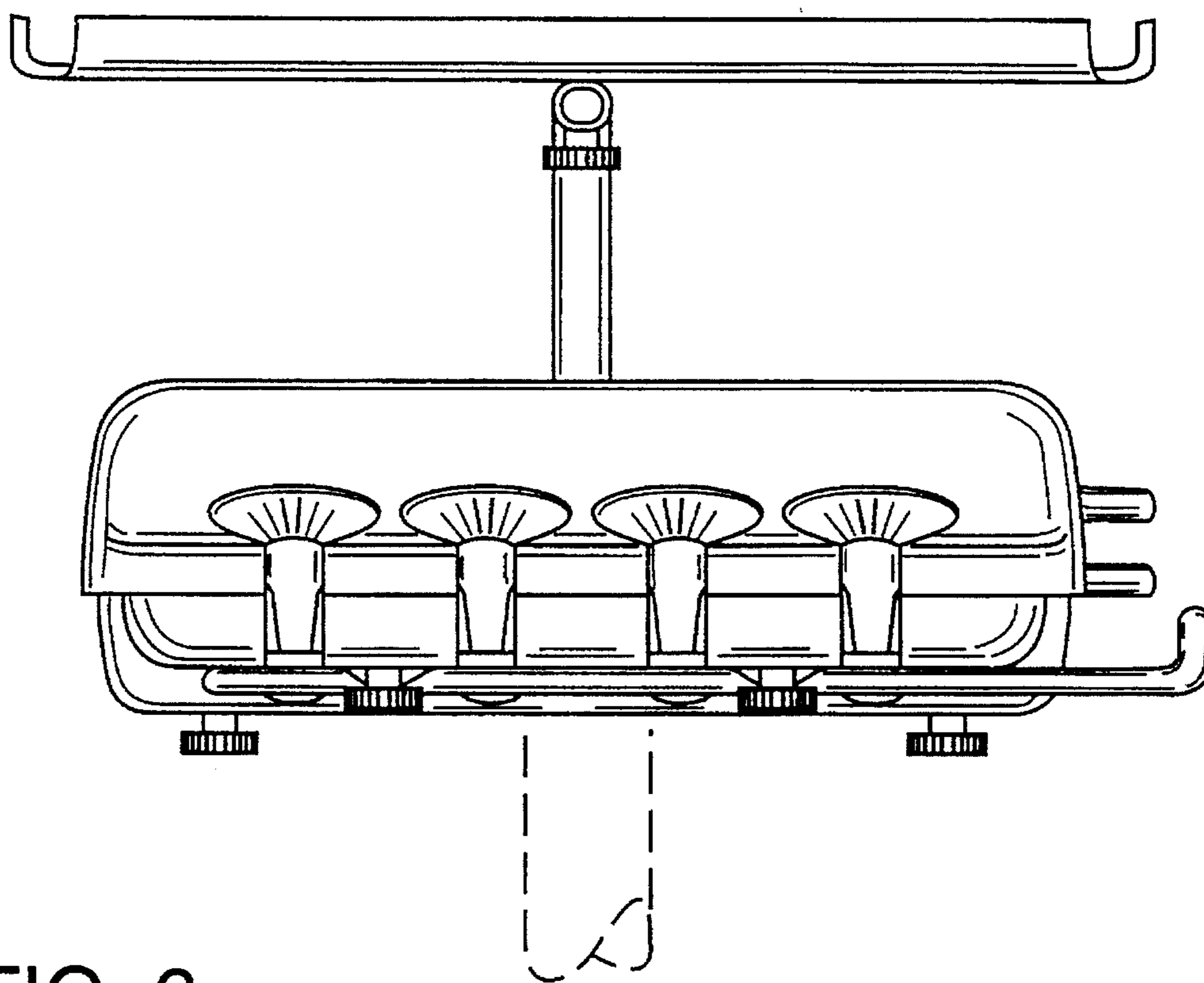


FIG. 6

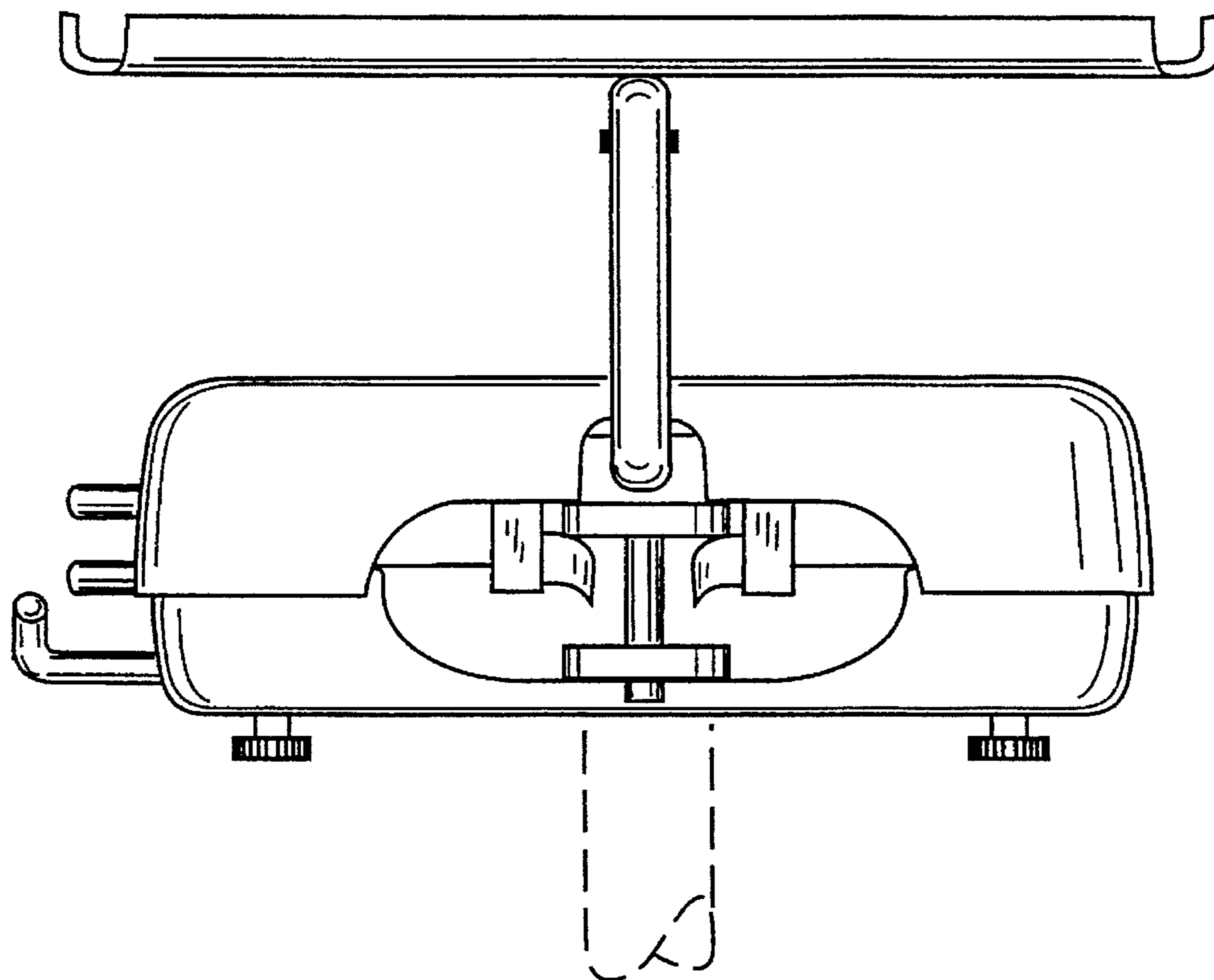


FIG. 7

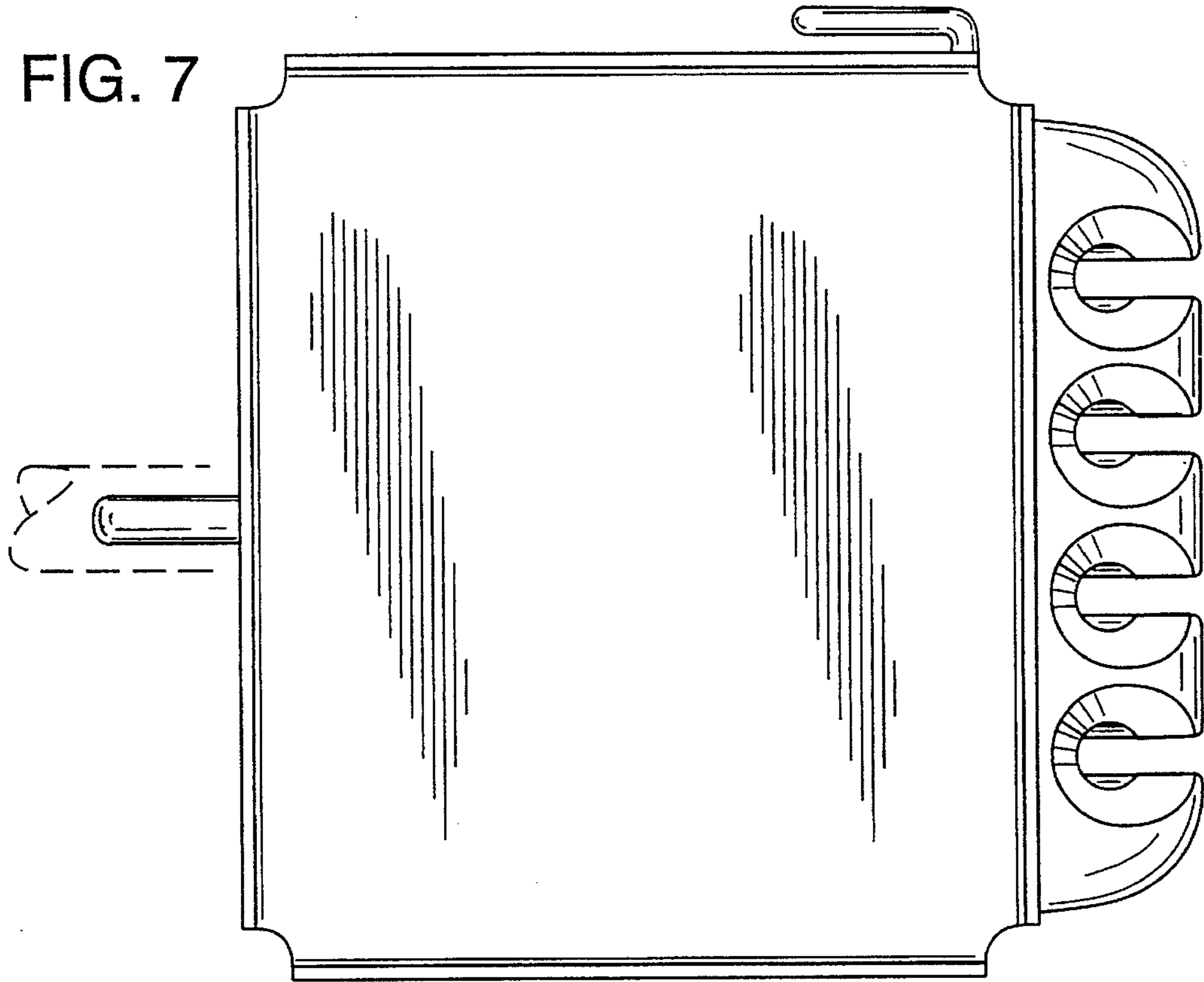


FIG. 8

