



US00D378415S

United States Patent [19]

[11] Patent Number: **Des. 378,415**

Irwin et al.

[45] Date of Patent: ****Mar. 11, 1997**

[54] **CUSPIDOR**

Primary Examiner—Kay H. Chin

[75] Inventors: **Shawn R. Irwin**, Newberg; **Carl G. Nordstrom**, Lake Oswego, both of Oreg.

Attorney, Agent, or Firm—Klarquist Sparkman Campbell Leigh & Whinston

[73] Assignee: **A-Dec, Inc.**, Newberg, Oreg.

[57] CLAIM

[**] Term: **14 Years**

The ornamental design for a cuspidor, as shown and described.

[21] Appl. No.: **44,608**

DESCRIPTION

[22] Filed: **Sep. 27, 1995**

[52] U.S. Cl. **D24/177**

[58] Field of Search D24/177-179,
D24/111; 433/97, 79; 4/263

FIG. 1 is a perspective view of a cuspidor showing our new design;

FIG. 2 is a left-side elevational view;

FIG. 3 is a rear elevational view;

FIG. 4 is a front elevational view;

FIG. 5 is a right-side elevational view;

FIG. 6 is a top plan view; and,

FIG. 7 is a bottom plan view.

The broken lines shown in FIGS. 1 through 5 are for illustrative purposes only and form no part of the claimed design.

[56] References Cited

U.S. PATENT DOCUMENTS

D. 258,007	1/1981	Schmidt	D24/177
D. 277,503	2/1985	Truette et al.	D24/177
D. 348,933	7/1994	Nordstrom et al.	D24/177
5,367,717	11/1994	Fisher	4/263

1 Claim, 3 Drawing Sheets

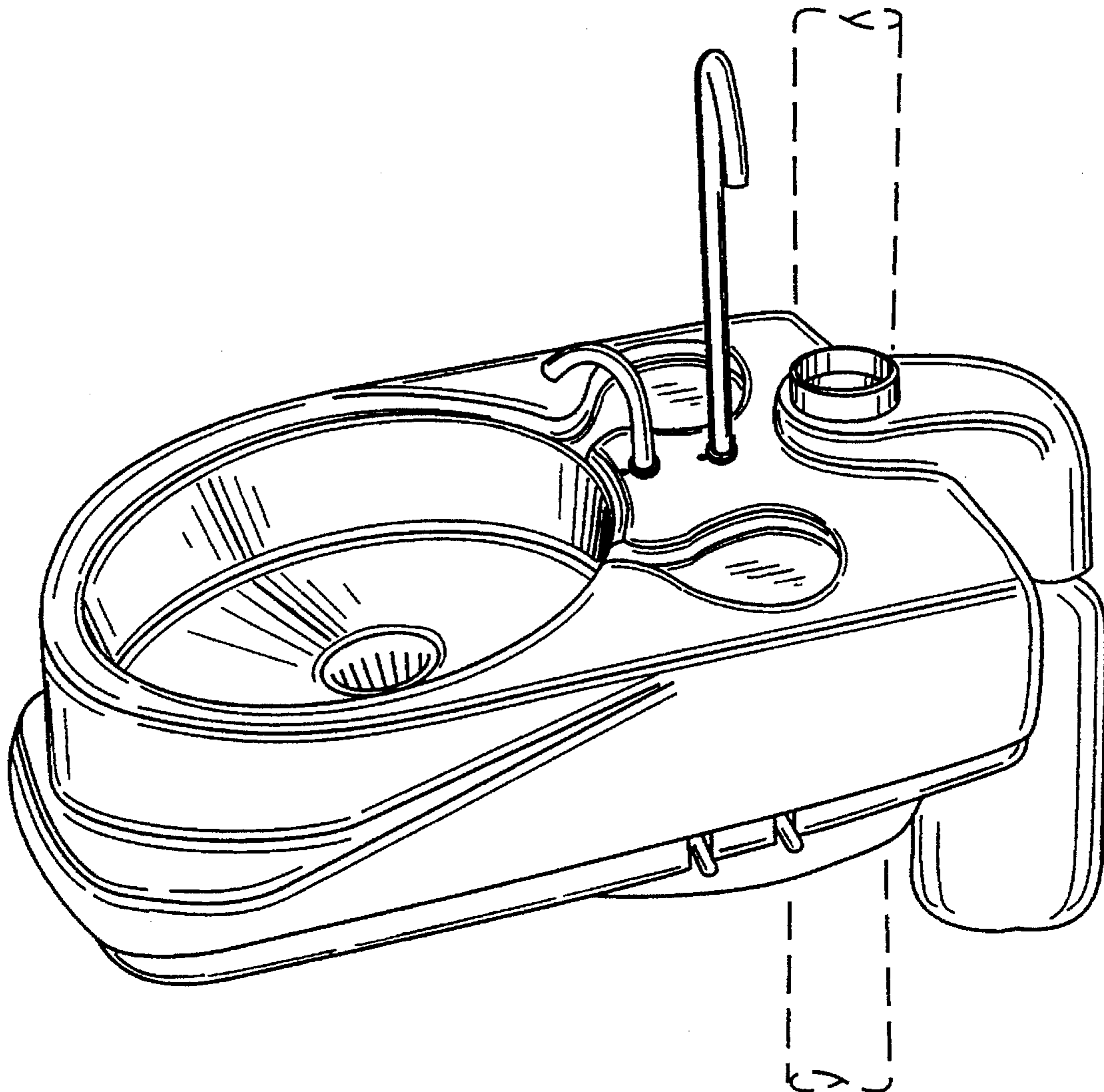


FIG. 1

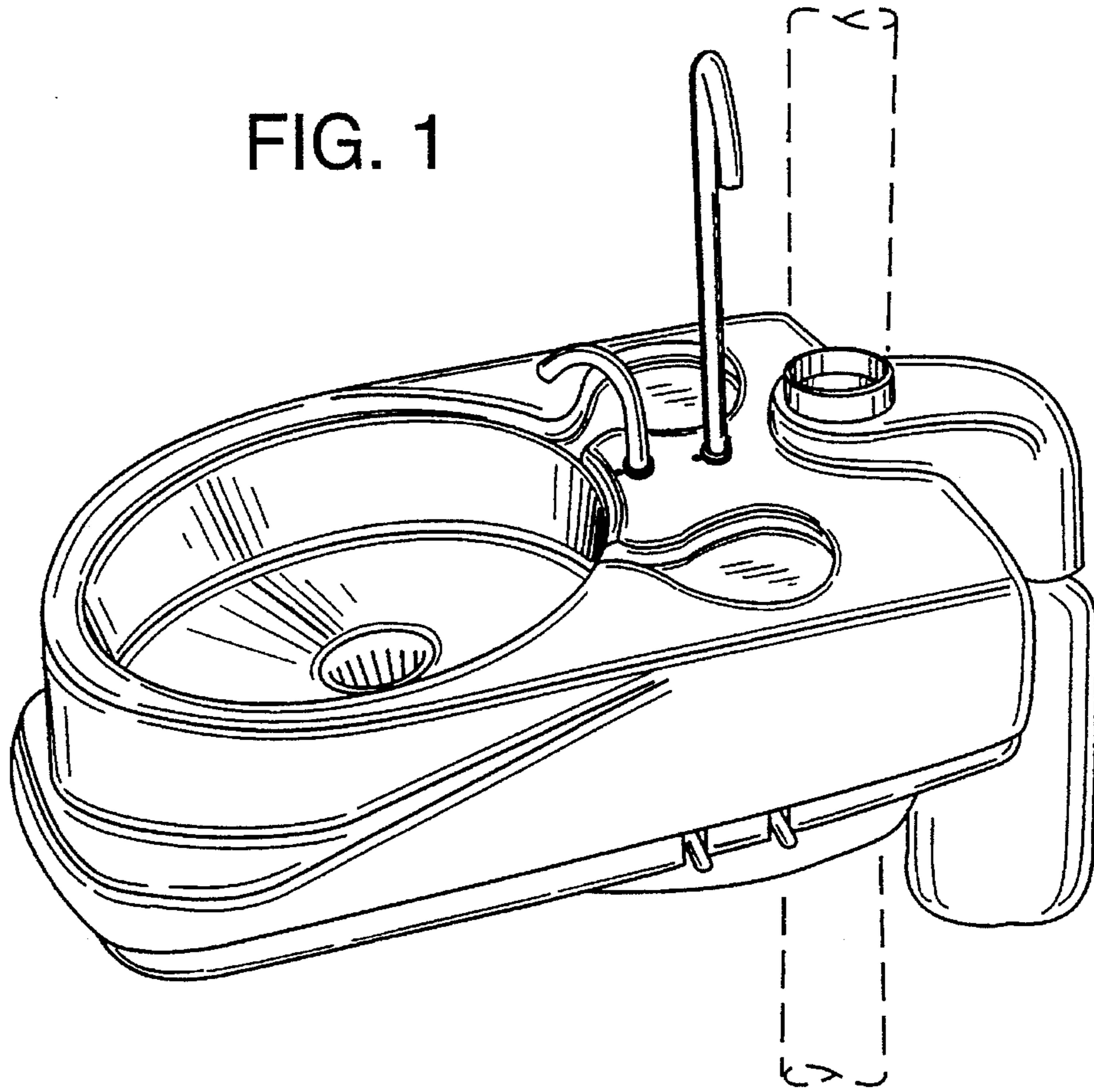


FIG. 2

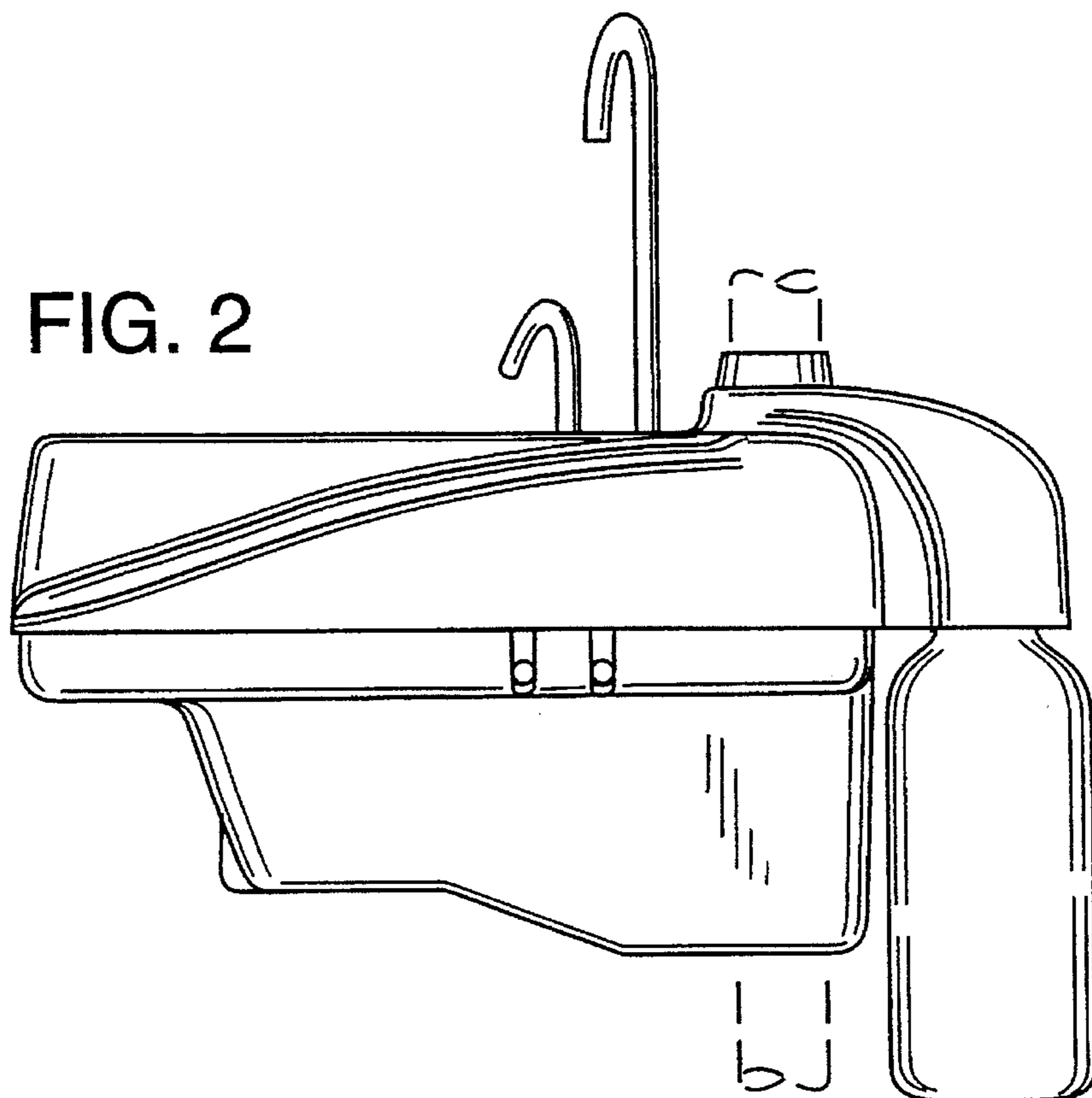


FIG. 3

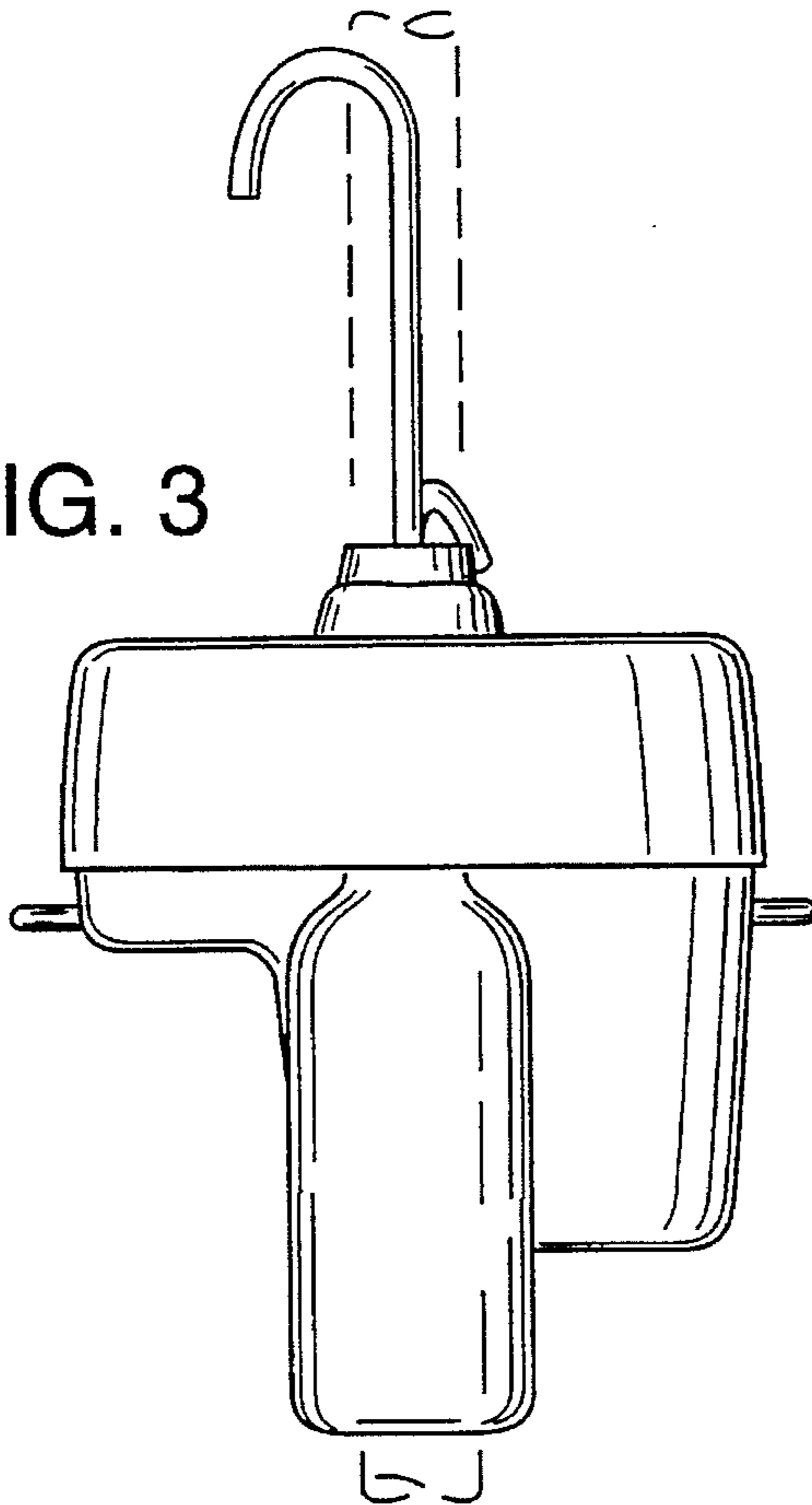


FIG. 4

