



US00D378408S

United States Patent [19]

[11] Patent Number: **Des. 378,408**

Pyeatt et al.

[45] Date of Patent: ****Mar. 11, 1997**

[54] CORD AND TUBE ORGANIZER

[75] Inventors: **Patricia L. Pyeatt**, Fort Worth; **Troy J. Mullens, Jr.**, Richland Hills, both of Tex.

[73] Assignee: **Tecnol Medical Products, Inc.**, Fort Worth, Tex.

[**] Term: **14 Years**

[21] Appl. No.: **39,619**

[22] Filed: **May 31, 1995**

[52] U.S. Cl. **D24/128; D8/356**

[58] Field of Search **D24/128, 127; D6/567; D8/356; 604/180, 179, 177, 178, 174; 128/DIG. 26; 248/68.1, 205.2, 74.4, 316.4, 316.2**

[56] References Cited

U.S. PATENT DOCUMENTS

Re. 27,710	7/1973	Melges	128/132 D
268,407	12/1882	Hughes	D24/169 X
D. 271,903	12/1983	Kaufman	D24/229
3,210,816	10/1965	Clemons	24/73
3,483,494	12/1969	Cromie	335/303
3,503,391	3/1970	Melges	128/132
3,654,047	4/1972	Berkowitz	161/7
3,696,920	10/1972	Lahay	D24/133 X
3,721,234	3/1973	Hadtke et al.	128/132 D
3,727,658	4/1973	Eldridge, Jr.	150/52 R
3,738,359	6/1973	Lindquist et al.	128/132
4,466,430	8/1984	Shultz	128/132
4,476,860	10/1984	Collins et al.	128/132 D
4,793,483	12/1988	Holmes	206/363
4,944,311	7/1990	Eldridge, Jr. et al.	128/849
4,988,062	1/1991	London	248/68.1
5,005,590	4/1991	Eldridge, Jr. et al.	128/849
5,010,899	4/1991	Thompson	128/849
5,036,866	8/1991	Eldridge, Jr. et al.	128/849
5,059,271	10/1991	Taub	156/306.3

(List continued on next page.)

FOREIGN PATENT DOCUMENTS

811116	12/1951	Germany	248/68.1
466054	7/1952	Italy	248/68.1

OTHER PUBLICATIONS

"Sterile Adhesive Organizer," Kapp Surgical Instruments Inc.

"Lap-Kit™" Brochure, *Ethox® Corp.*, 1992, one page.

"Surgi-Kit®" Brochure, *Ethox® Corp.*, 1992, one page.

Primary Examiner—Louis S. Zarfes

Assistant Examiner—L. Simmons

Attorney, Agent, or Firm—Baker & Botts, L.L.P.

[57] CLAIM

The ornamental design for a cord and tube organizer, as shown and described.

DESCRIPTION

FIG. 1 is a perspective view of a cord and tube organizer showing our new design;

FIG. 2 is a right side elevational view of FIG. 1, the left side being a mirror image thereof;

FIG. 3 is a top plan view thereof;

FIG. 4 is a front elevational view of FIG. 1, the rear elevational view being a mirror image thereof;

FIG. 5 is a bottom plan view thereof;

FIG. 6 is a perspective view of a second embodiment of a cord and tube organizer showing our new design;

FIG. 7 is a right side elevational view of FIG. 6, the left side elevational view being a mirror image thereof;

FIG. 8 is a top plan view thereof;

FIG. 9 is a front elevational view of FIG. 6, the rear elevational view being a mirror image thereof;

FIG. 10 is a bottom plan view thereof;

FIG. 11 is a perspective view of a third embodiment of a cord and tube organizer showing our new design;

FIG. 12 is a right side elevational view of FIG. 11, the left side elevational view being a mirror image thereof;

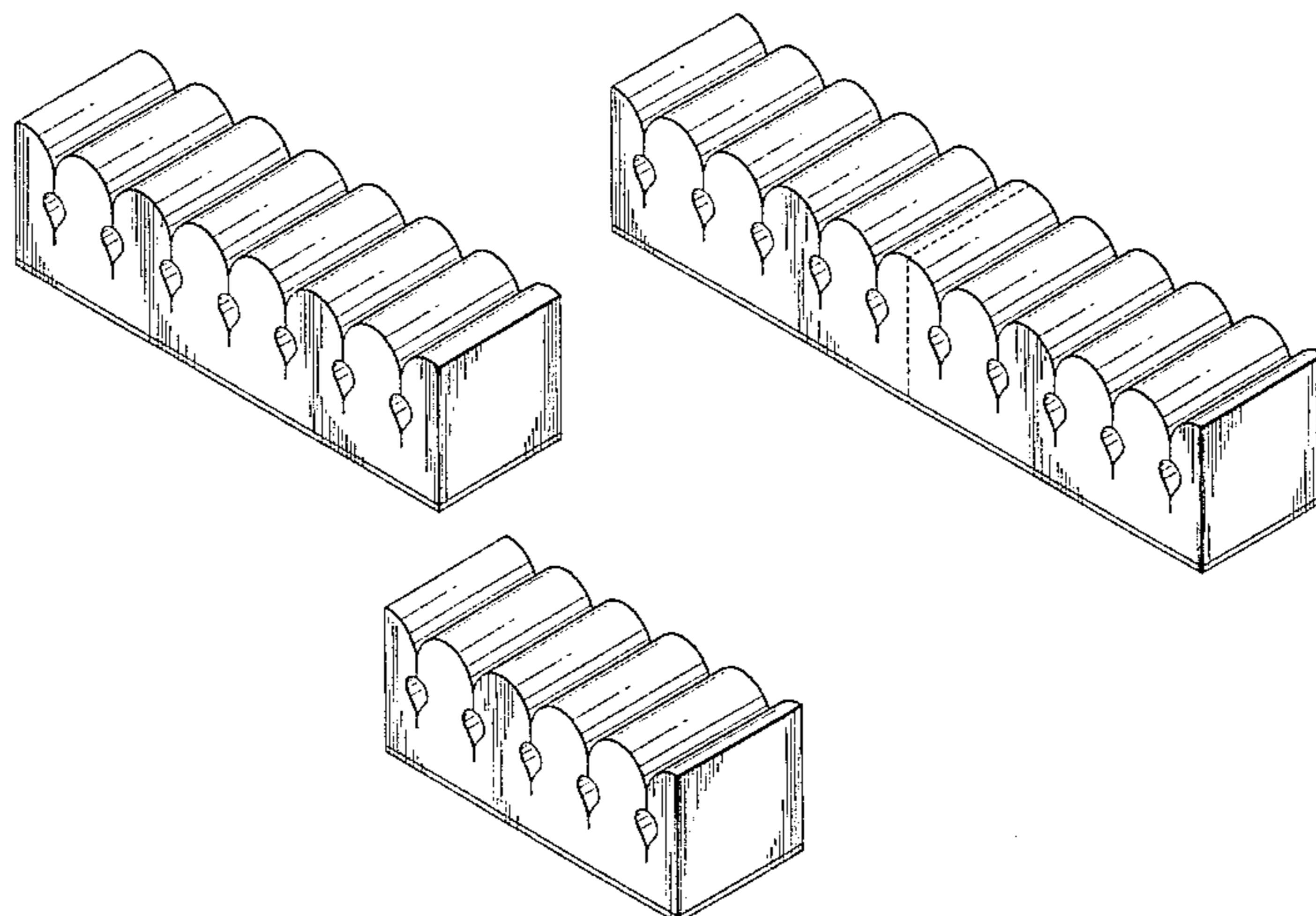
FIG. 13 is a top plan view thereof;

FIG. 14 is a front elevational view of FIG. 11, the rear elevational view being a mirror image thereof; and,

FIG. 15 is a bottom plan view thereof.

The broken line showing of the perforation in the FIGS. 6, 7, 8 and 10 are for illustrative purposes only and forms no part of the claimed design.

1 Claim, 3 Drawing Sheets



U.S. PATENT DOCUMENTS

5,074,316	12/1991	Dowdy	128/849	5,226,892	7/1993	Boswell	604/180
5,098,048	3/1992	Chen	128/DIG. 26 X	5,316,246	5/1994	Scott et al.	248/68.1
5,195,538	3/1993	Eldridge, Jr. et al.	128/849	5,334,186	8/1994	Alexander	248/68.1 X
5,222,507	6/1993	Taylor	128/849	5,339,831	8/1994	Thompson	128/852
5,224,674	7/1993	Simons	248/68.1	5,383,476	1/1995	Peimer et al.	128/849
				5,389,082	2/1995	Baugues et al.	128/DIG. 26 X
				5,427,338	6/1995	Garrett et al.	128/DIG. 26 X

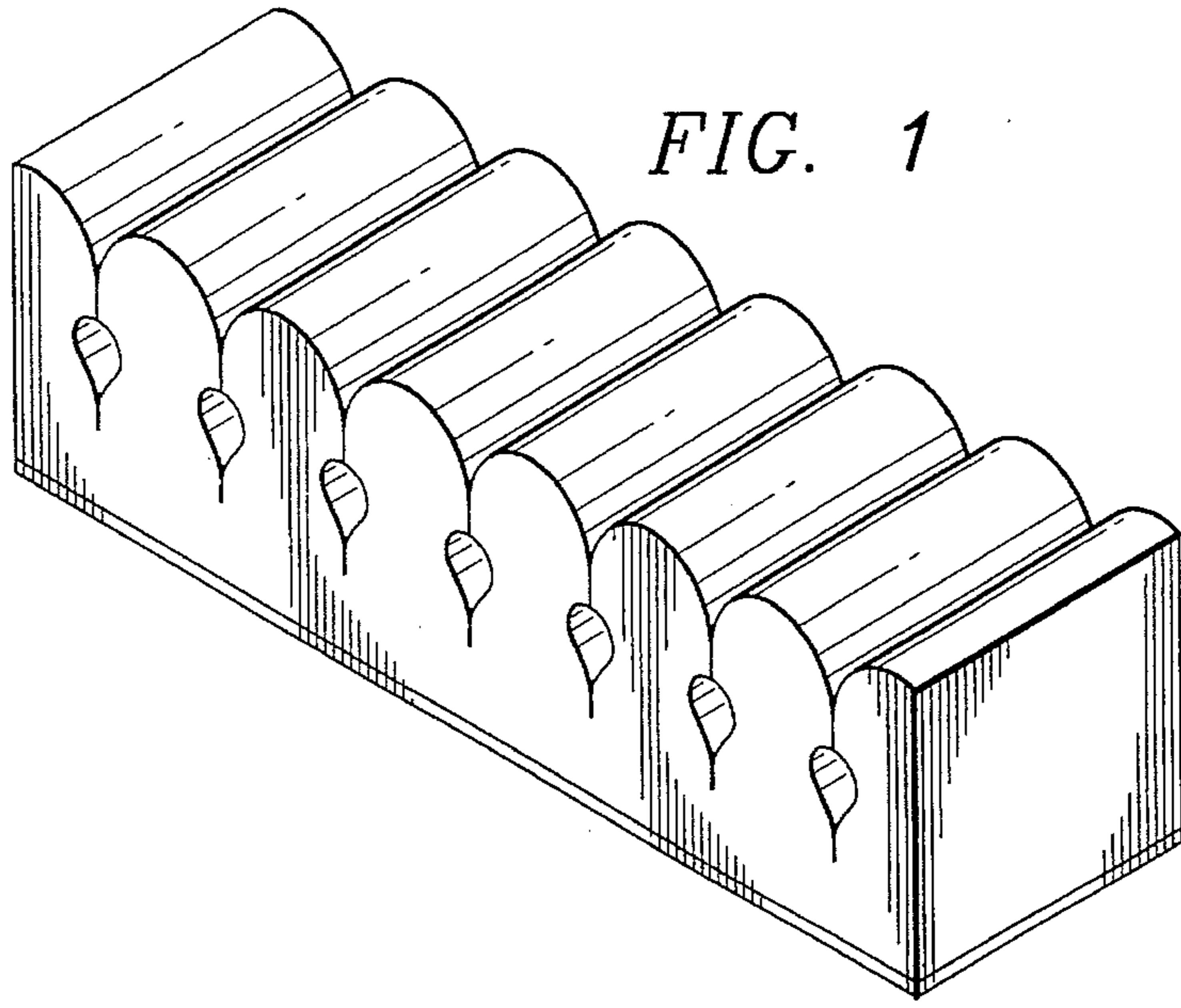


FIG. 2

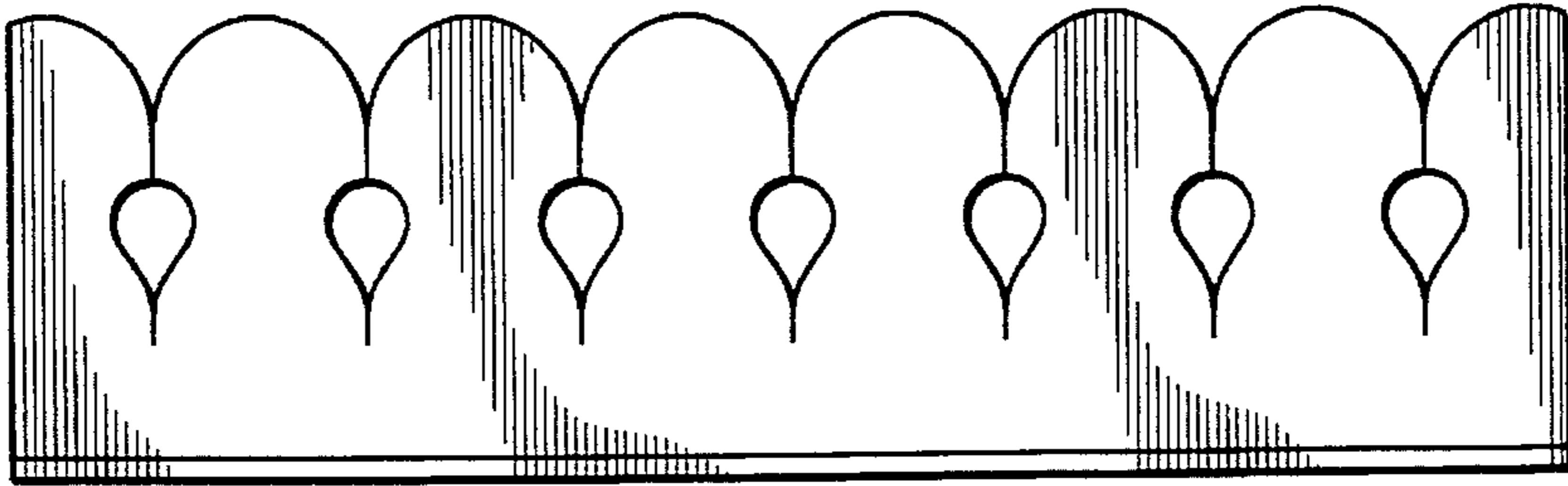


FIG. 4

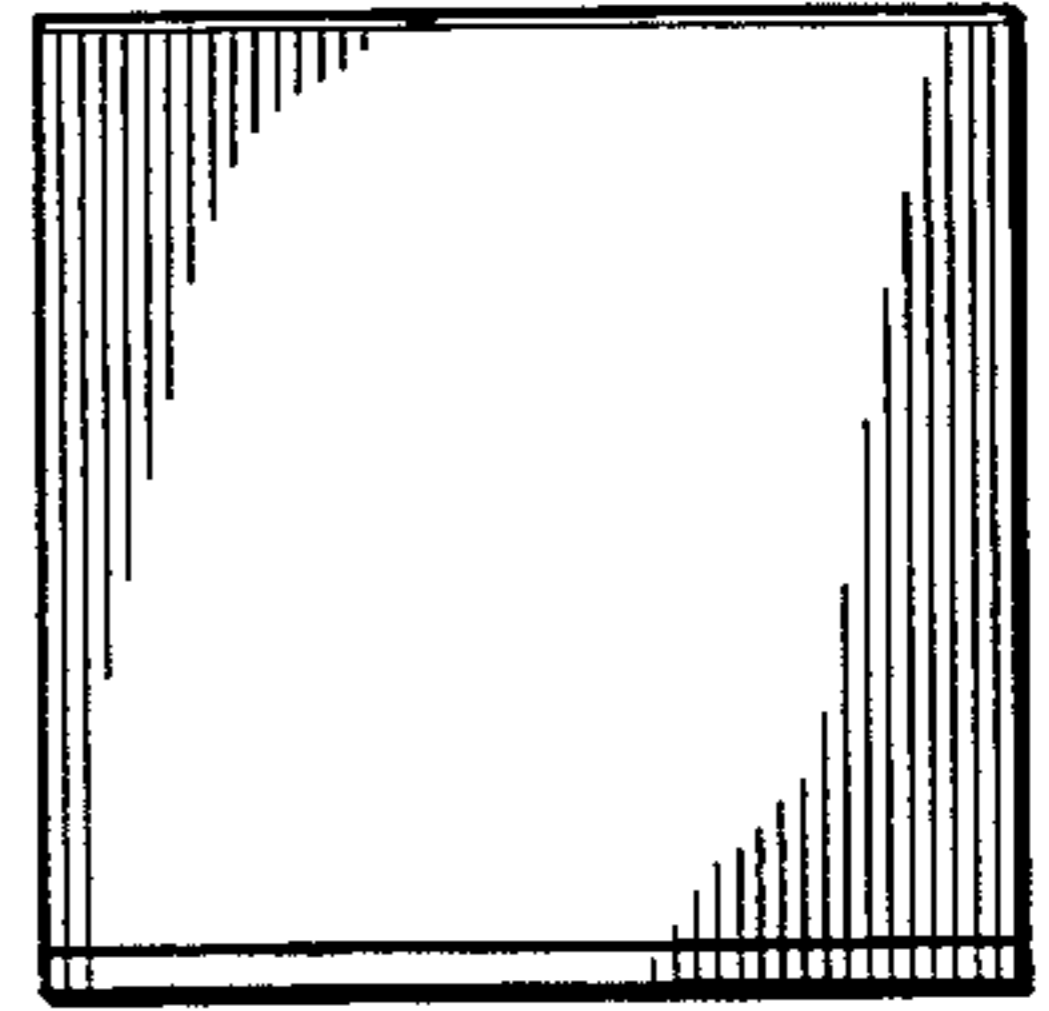


FIG. 3

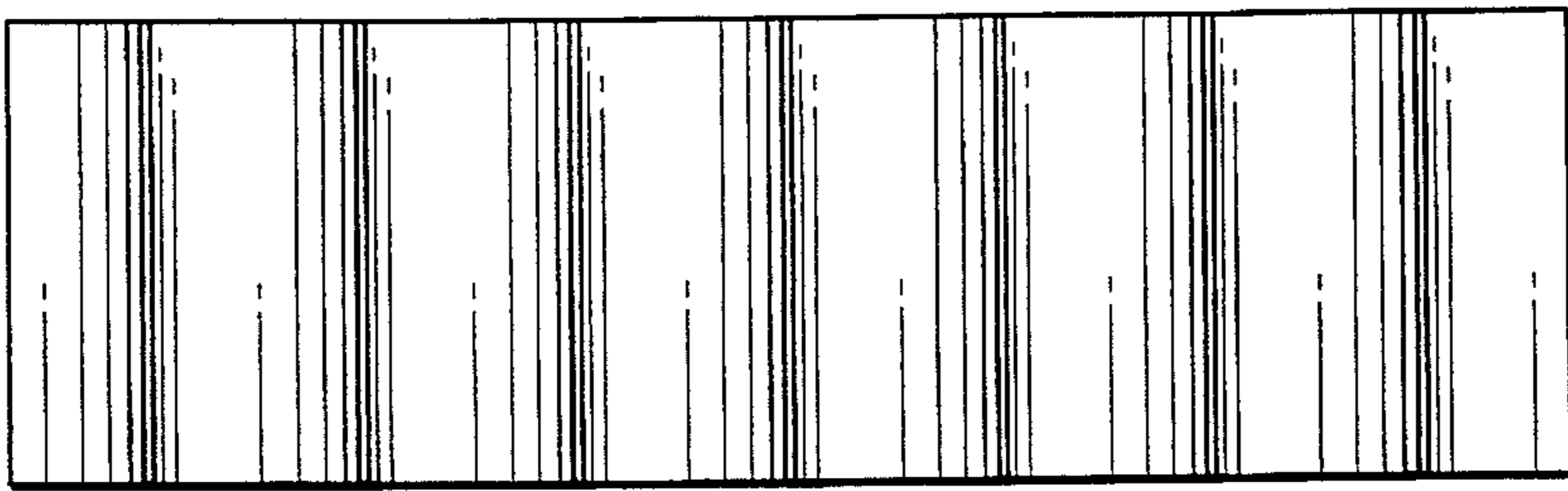
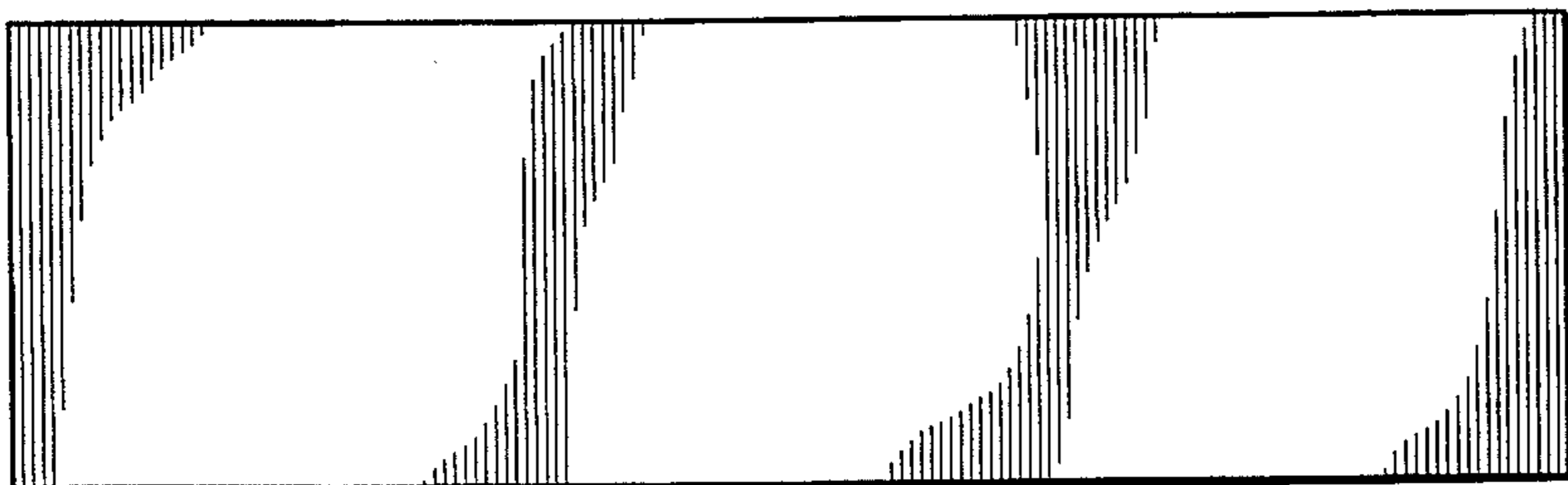


FIG. 5



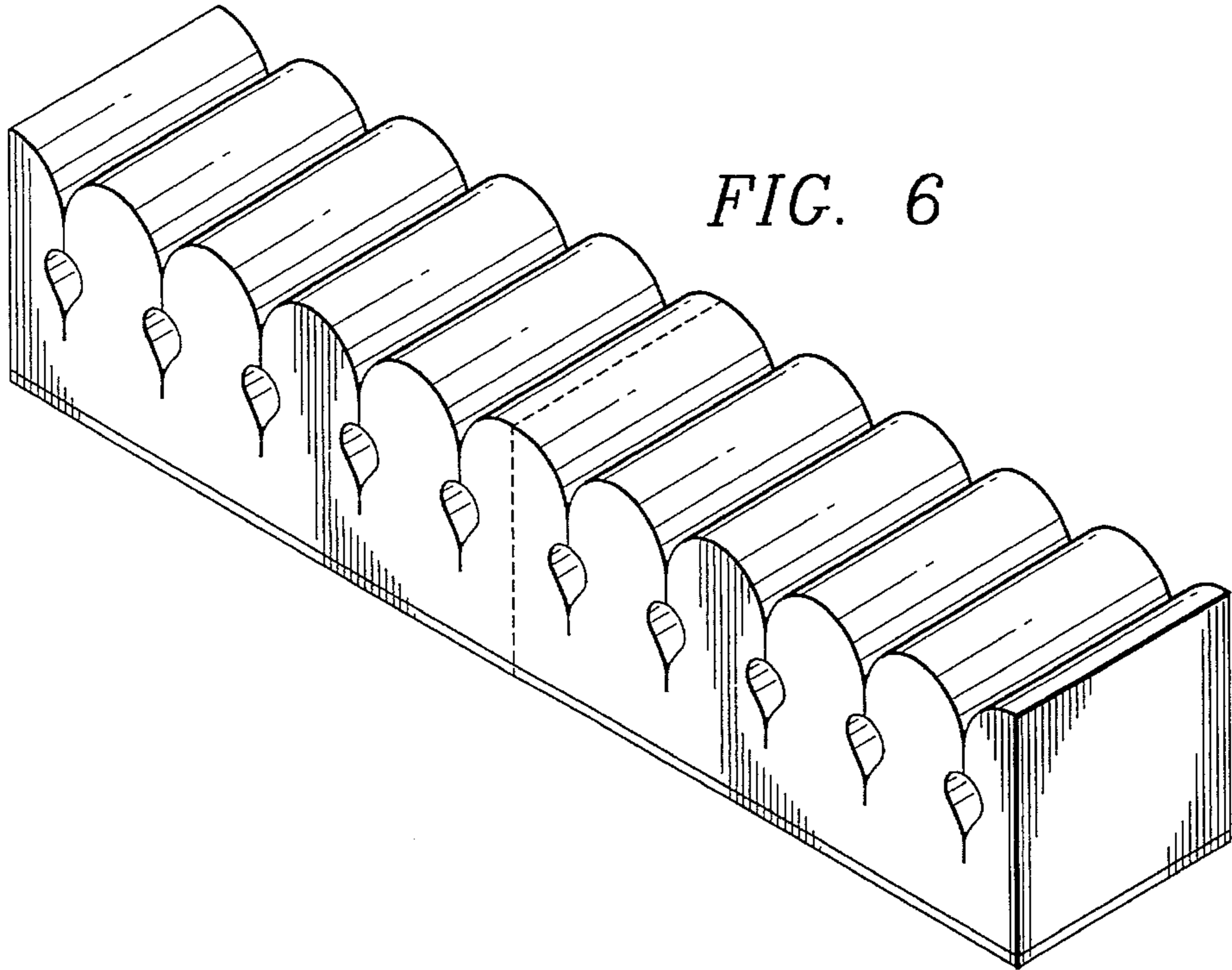


FIG. 6

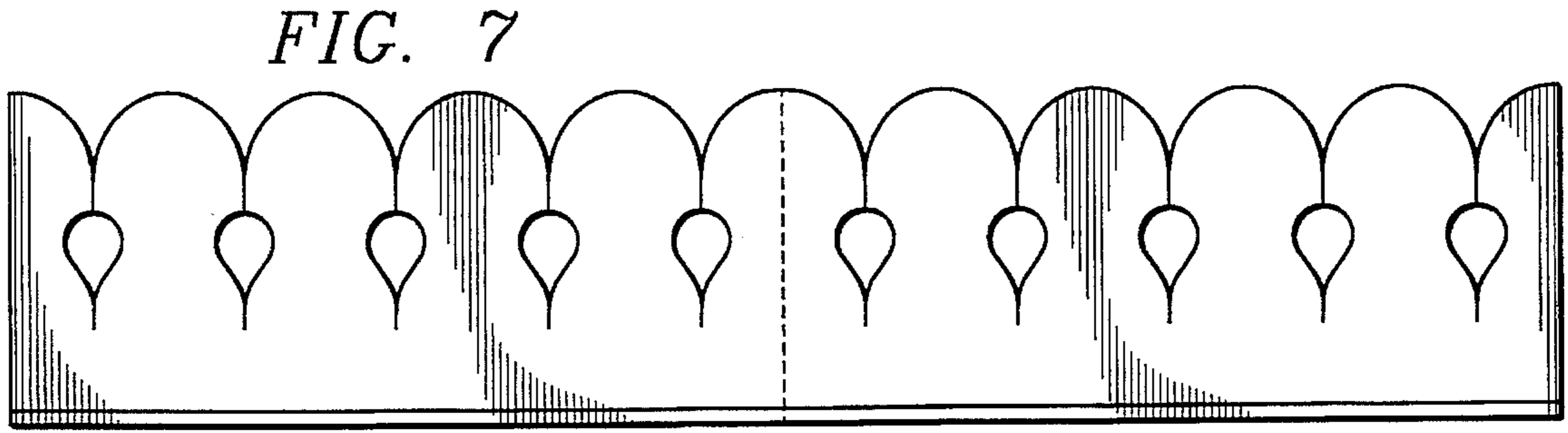


FIG. 7

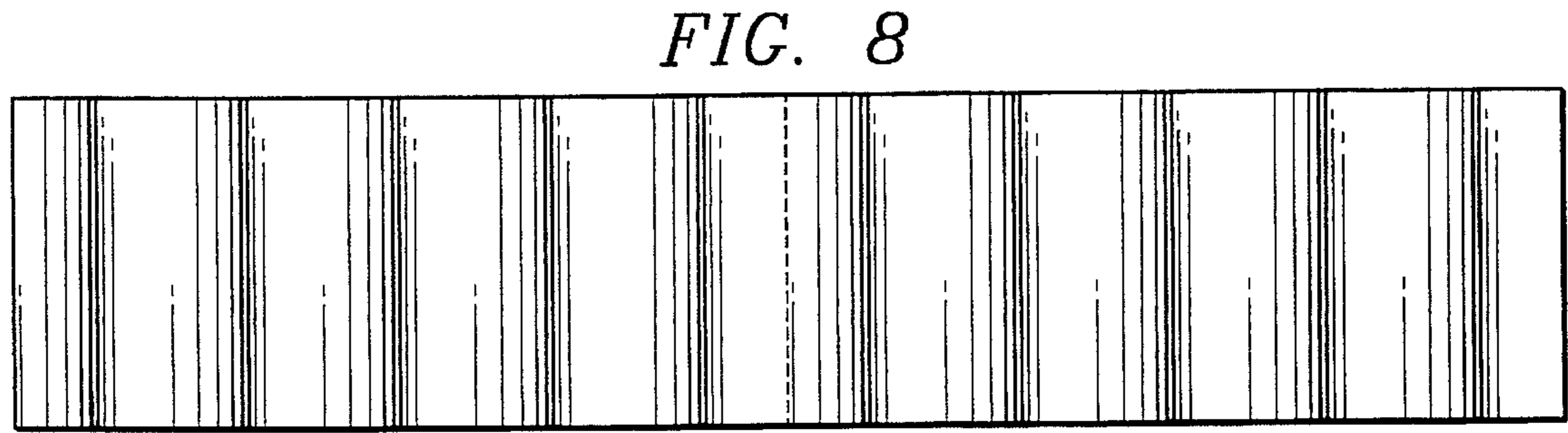


FIG. 8

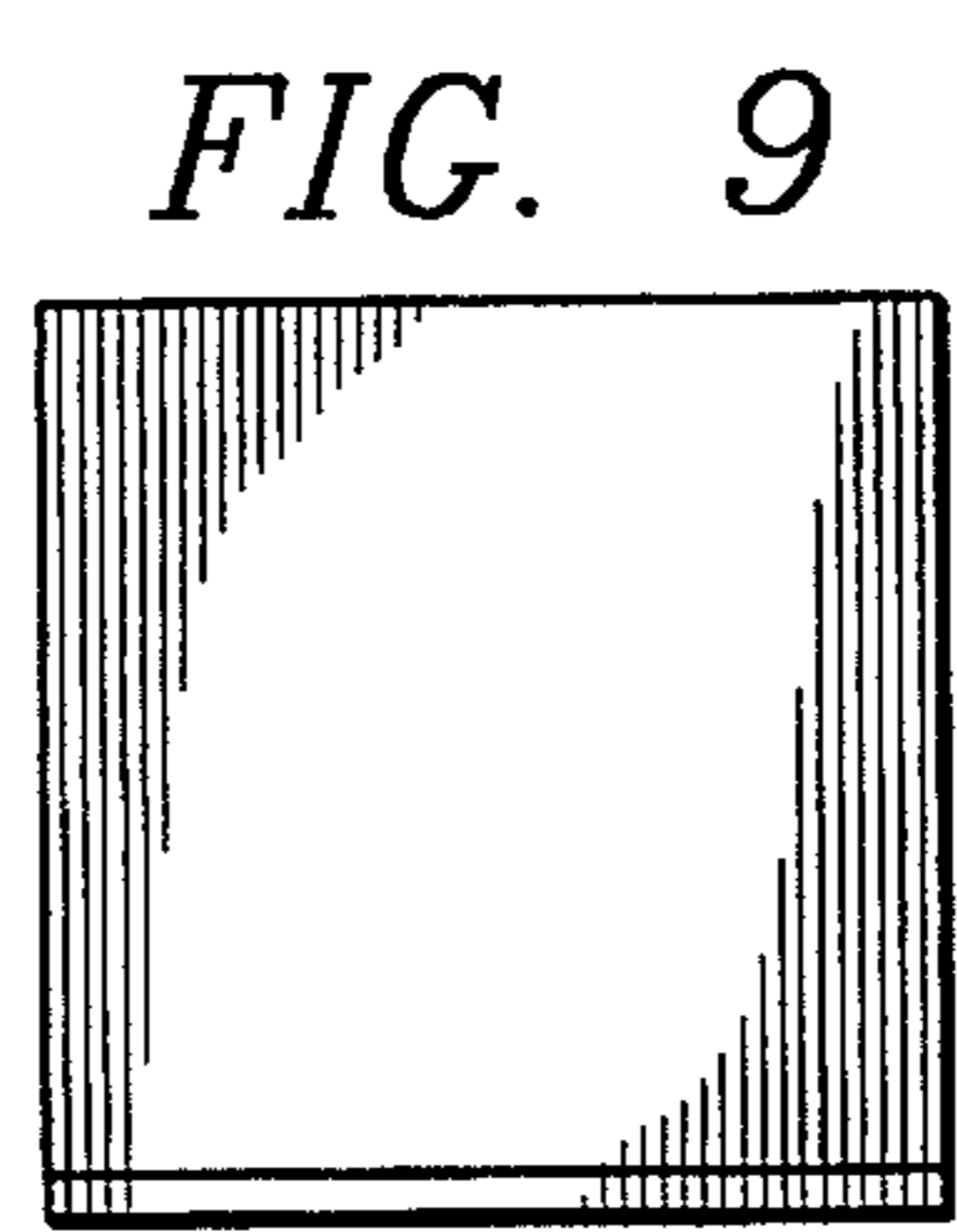


FIG. 9

FIG. 10

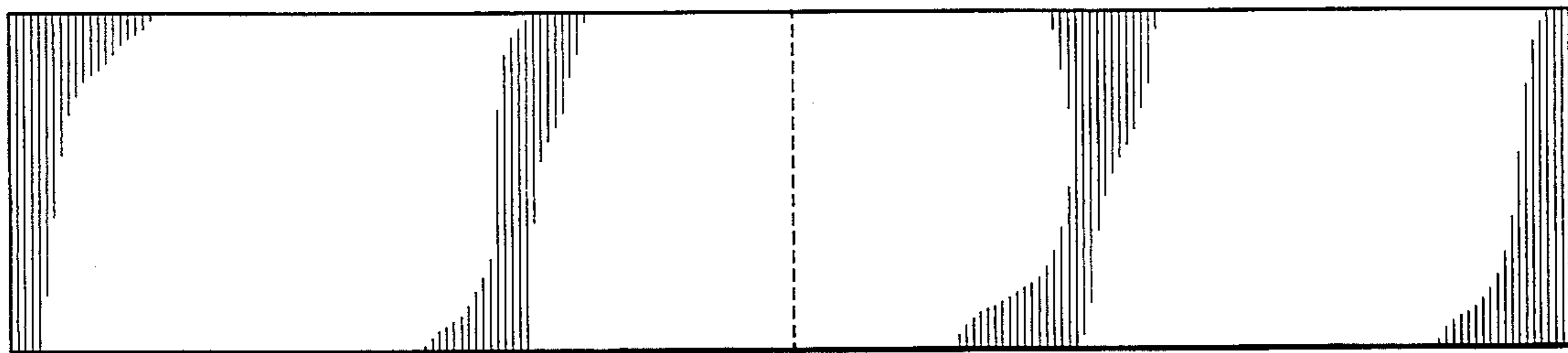


FIG. 11

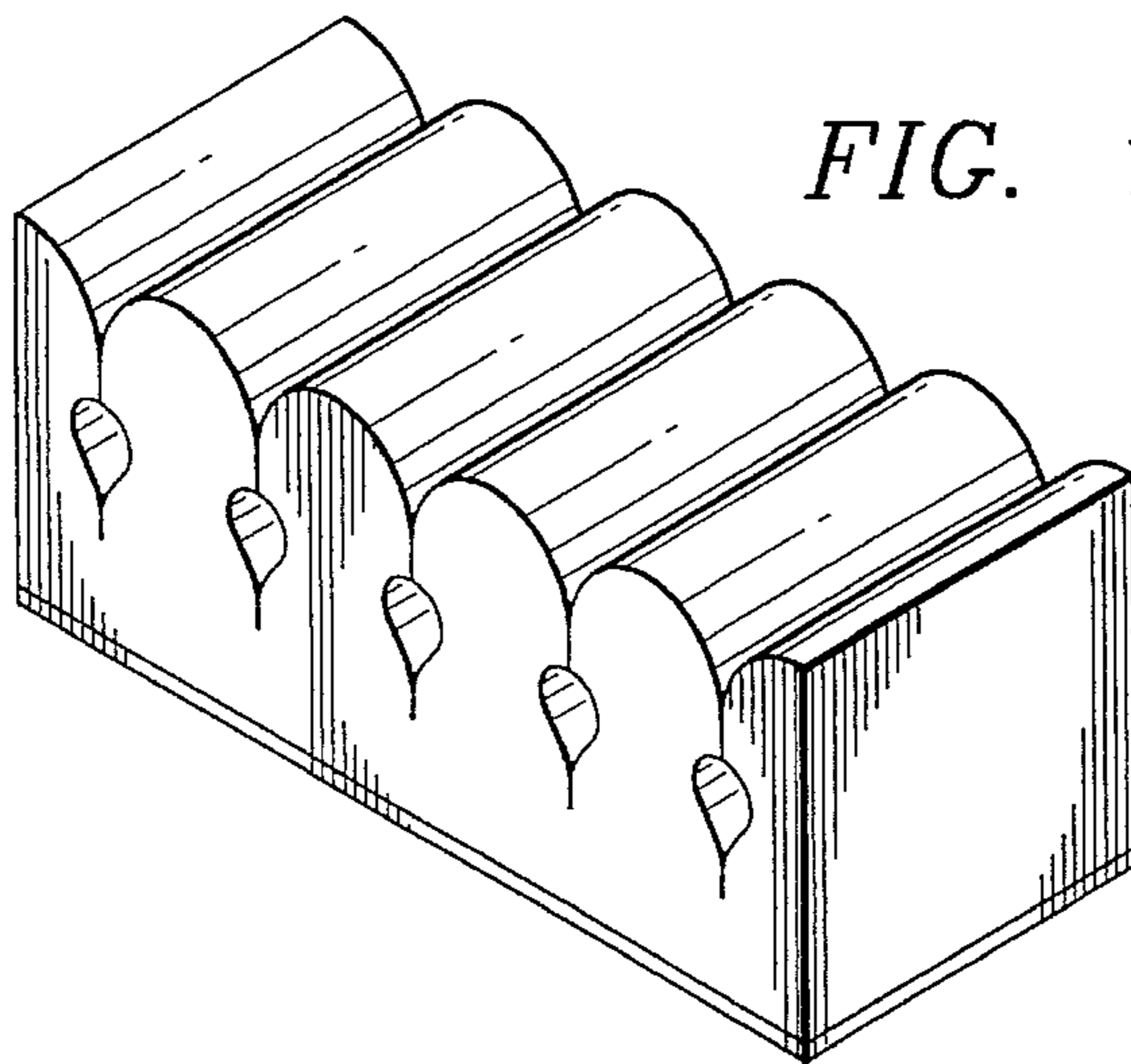


FIG. 12

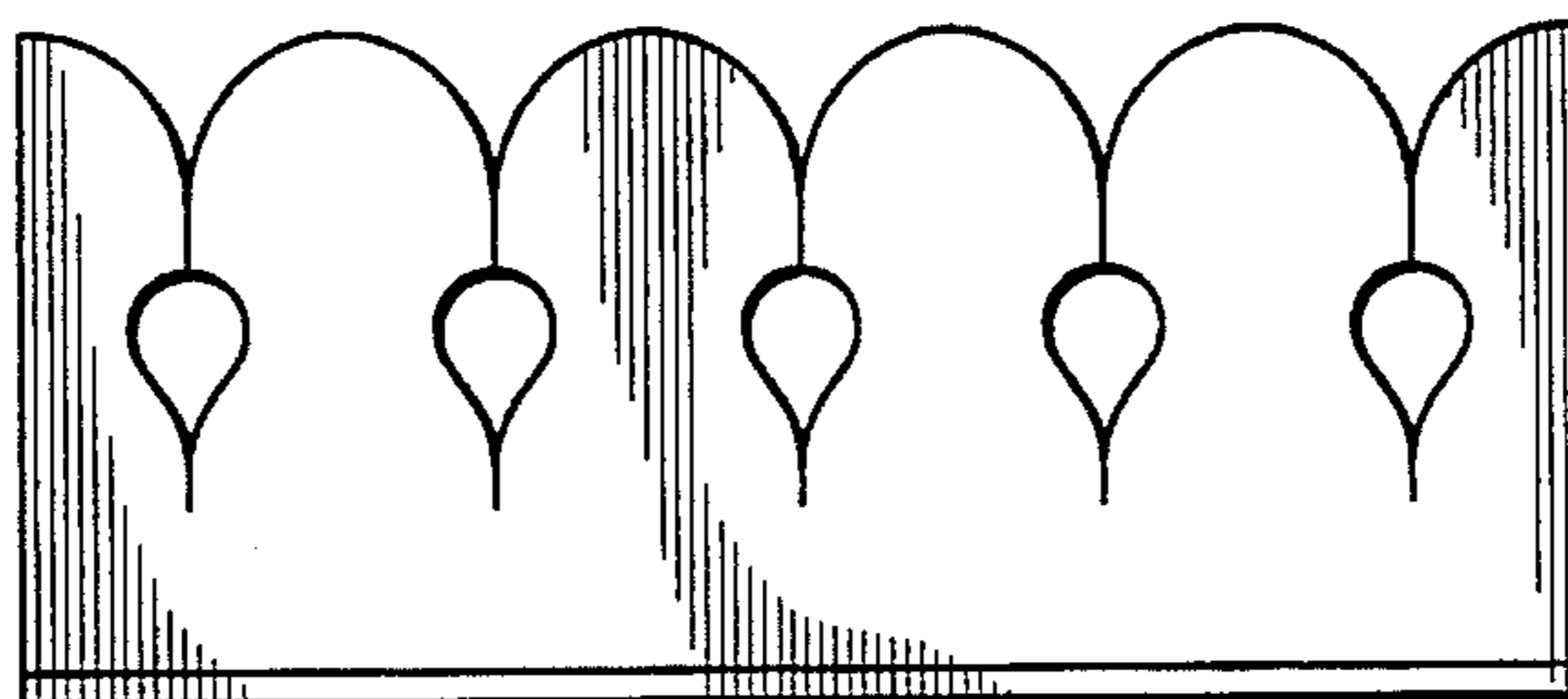


FIG. 13

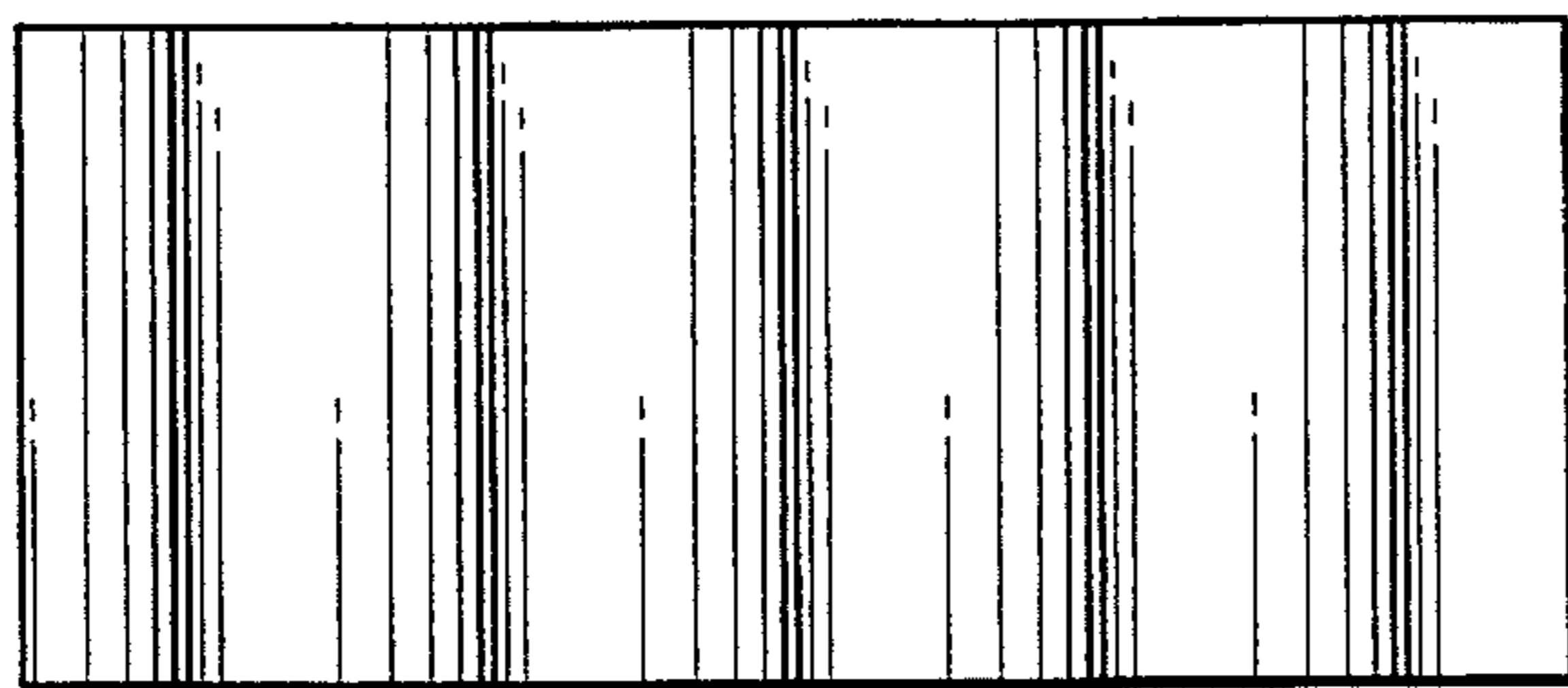


FIG. 14

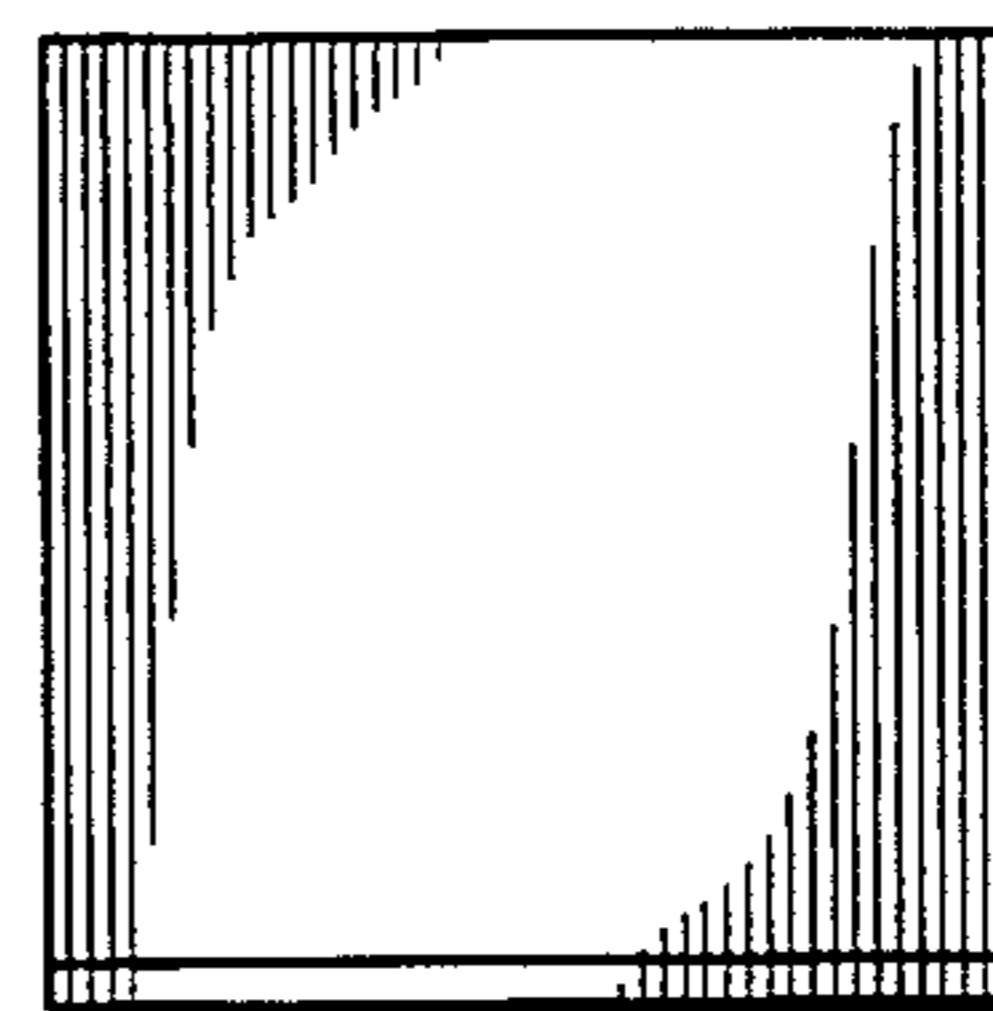


FIG. 15

