



US00D378406S

United States Patent [19]

[11] **Patent Number: Des. 378,406**

Kugler

[45] **Date of Patent: **Mar. 11, 1997**

[54] **EAR PLUG SYRINGE**

5,163,917	11/1992	Huefner et al.	604/263	X
5,419,773	5/1995	Rapp	604/192	X
5,429,599	7/1995	Heinke	604/192	X
5,496,288	3/1996	Sweeney	604/263	

[76] Inventor: **Mona R. Kugler**, Rte. 4, Box 4861, Palestine, Tex. 75801

[**] Term: **14 Years**

Primary Examiner—Louis S. Zarfes
Assistant Examiner—I. Simmons
Attorney, Agent, or Firm—James A. Hudak

[21] Appl. No.: **42,043**

[22] Filed: **Jul. 31, 1995**

[52] U.S. Cl. **D24/114; D24/112**

[58] **Field of Search** D24/112, 130, D24/114, 113, 115, 110; 604/228, 218, 187, 227, 236, 192, 194, 197, 198, 263; 222/561, 562, 563; D7/300

[57] **CLAIM**

The ornamental design for an ear plug syringe, as shown and described.

DESCRIPTION

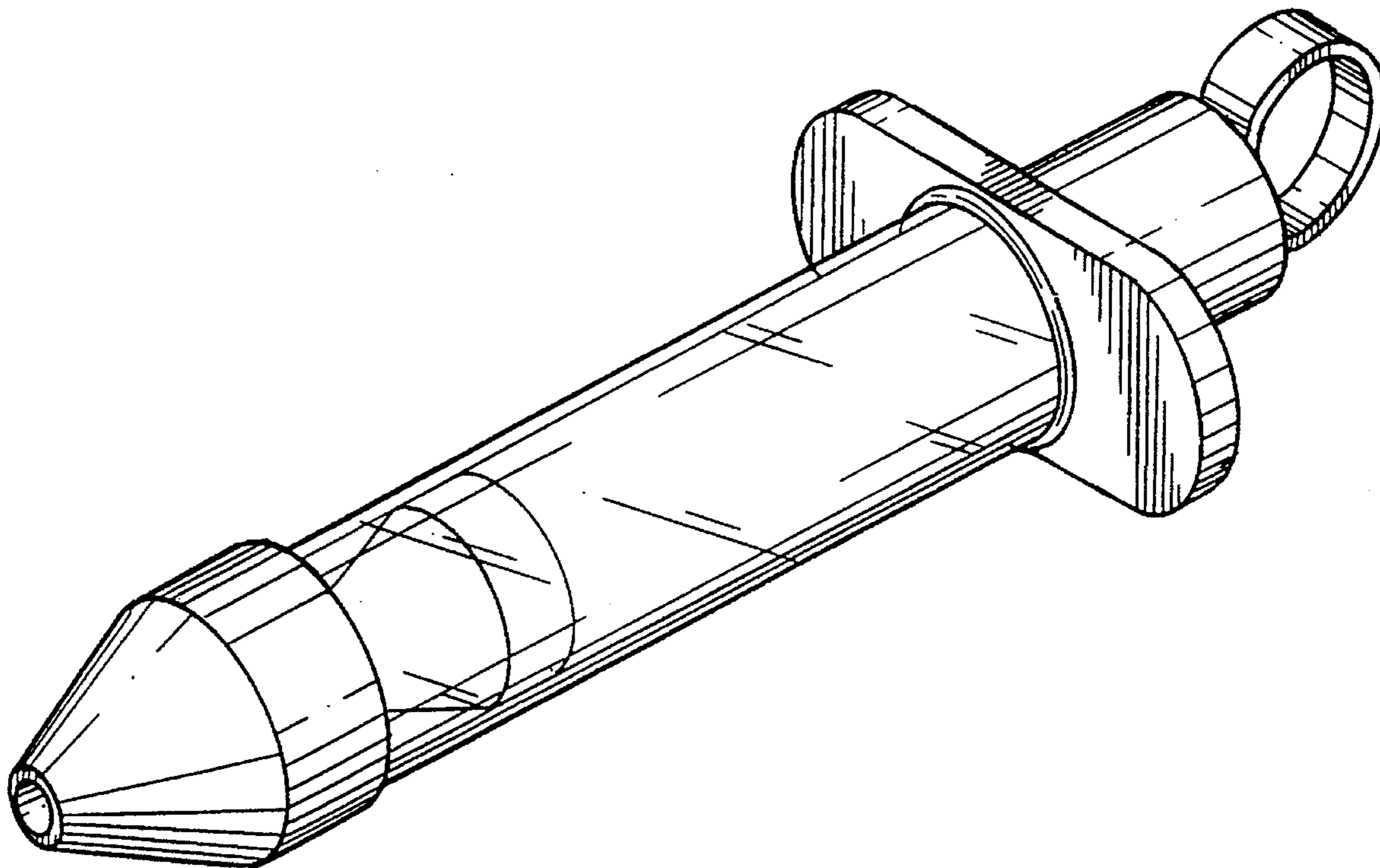
FIG. 1 is a perspective view of the ear plug syringe showing my new design;
FIG. 2 is a top plan view thereof, the bottom plan view being a mirror image of the view shown in this Figure;
FIG. 3 is a front elevational view thereof, the rear elevational view being a mirror image of the view shown in this Figure;
FIG. 4 is a left end elevational view thereof; and,
FIG. 5 is a right end elevational view thereof.

[56] **References Cited**

U.S. PATENT DOCUMENTS

D. 300,349	3/1989	Ennis, III	D23/231
D. 315,407	3/1991	Bradrick et al.	D24/25
D. 321,053	10/1991	Baum	D24/114
D. 323,391	1/1992	Payne et al.	D24/112 X
3,436,828	4/1969	Dragan	D24/114 X
4,015,602	4/1977	Nelson et al.	604/236

1 Claim, 3 Drawing Sheets



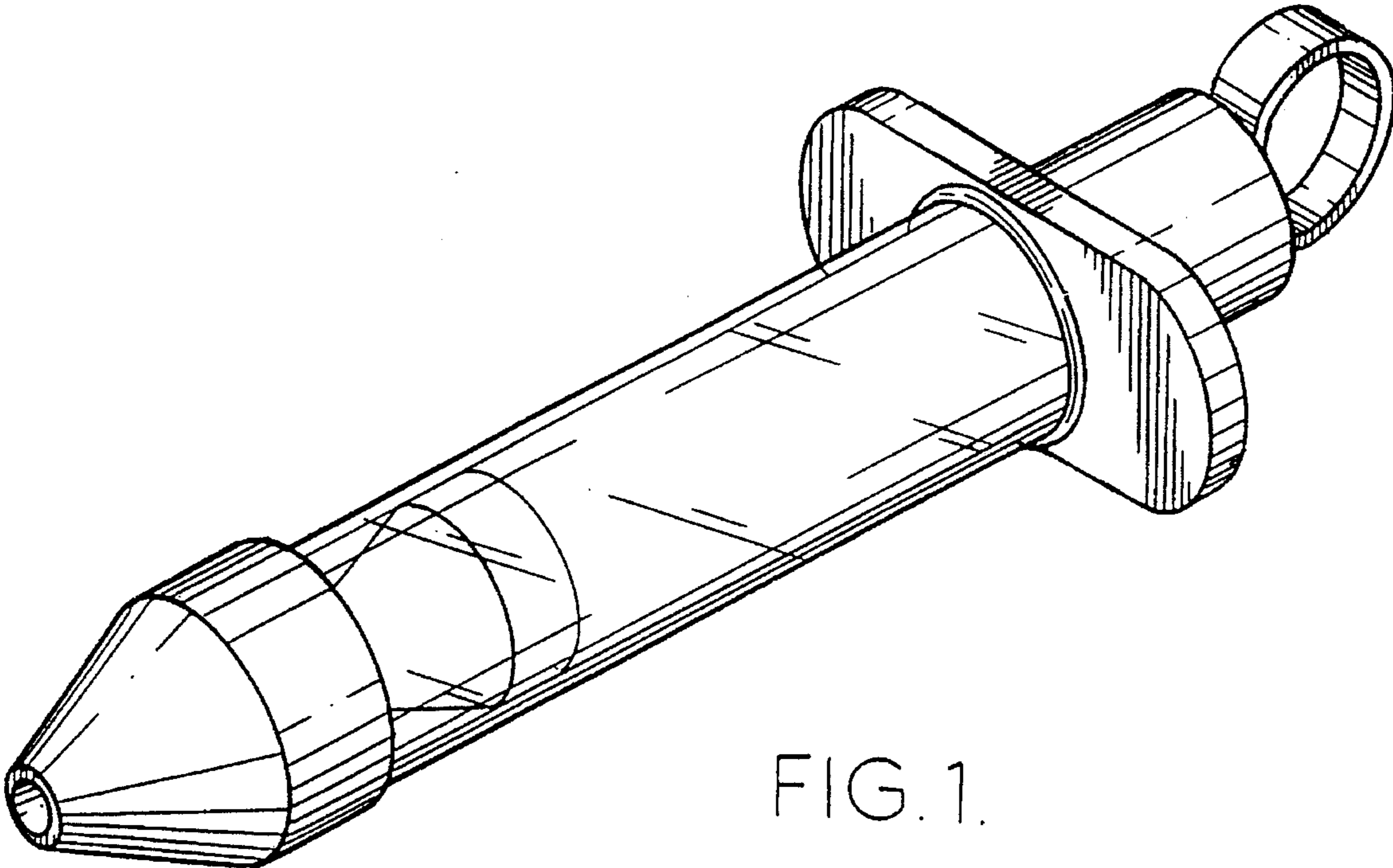


FIG. 1.

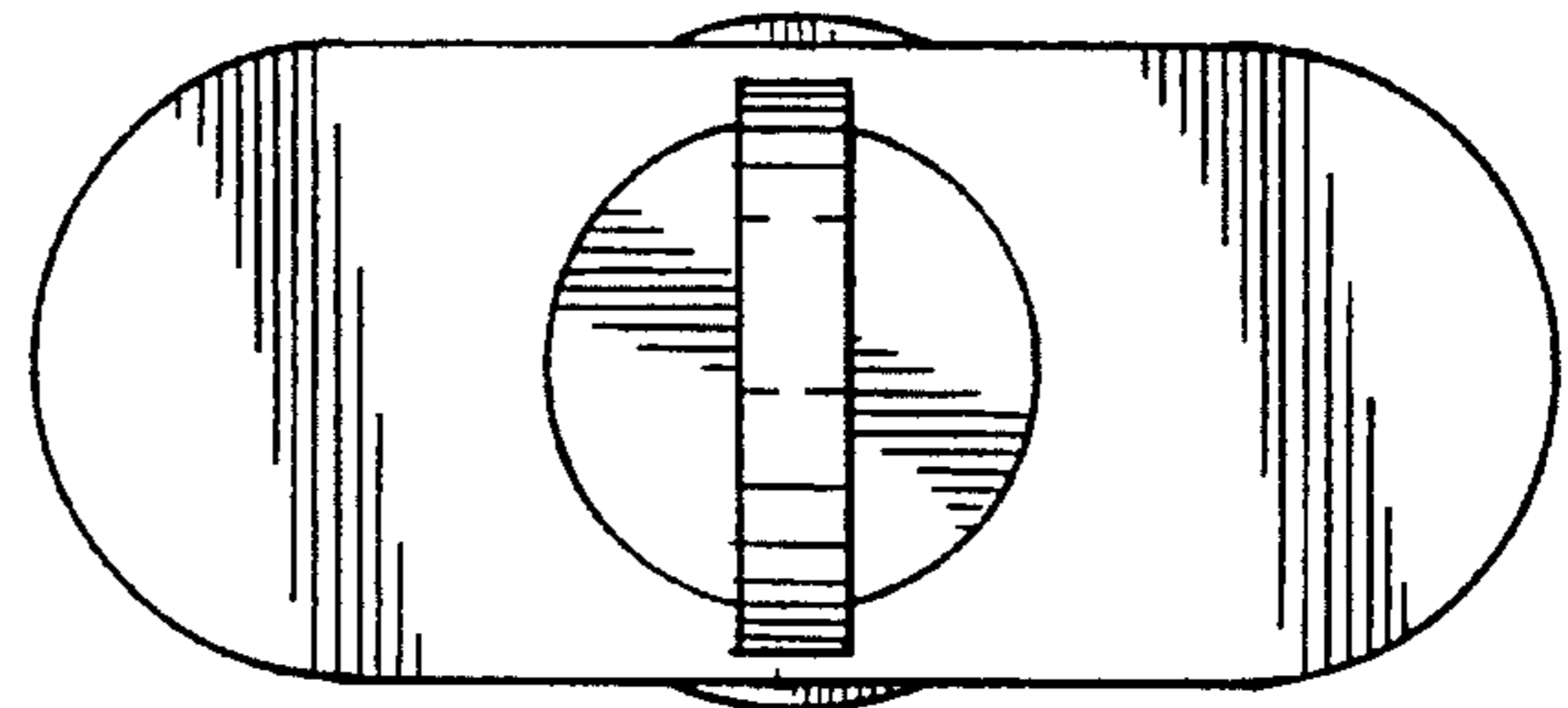
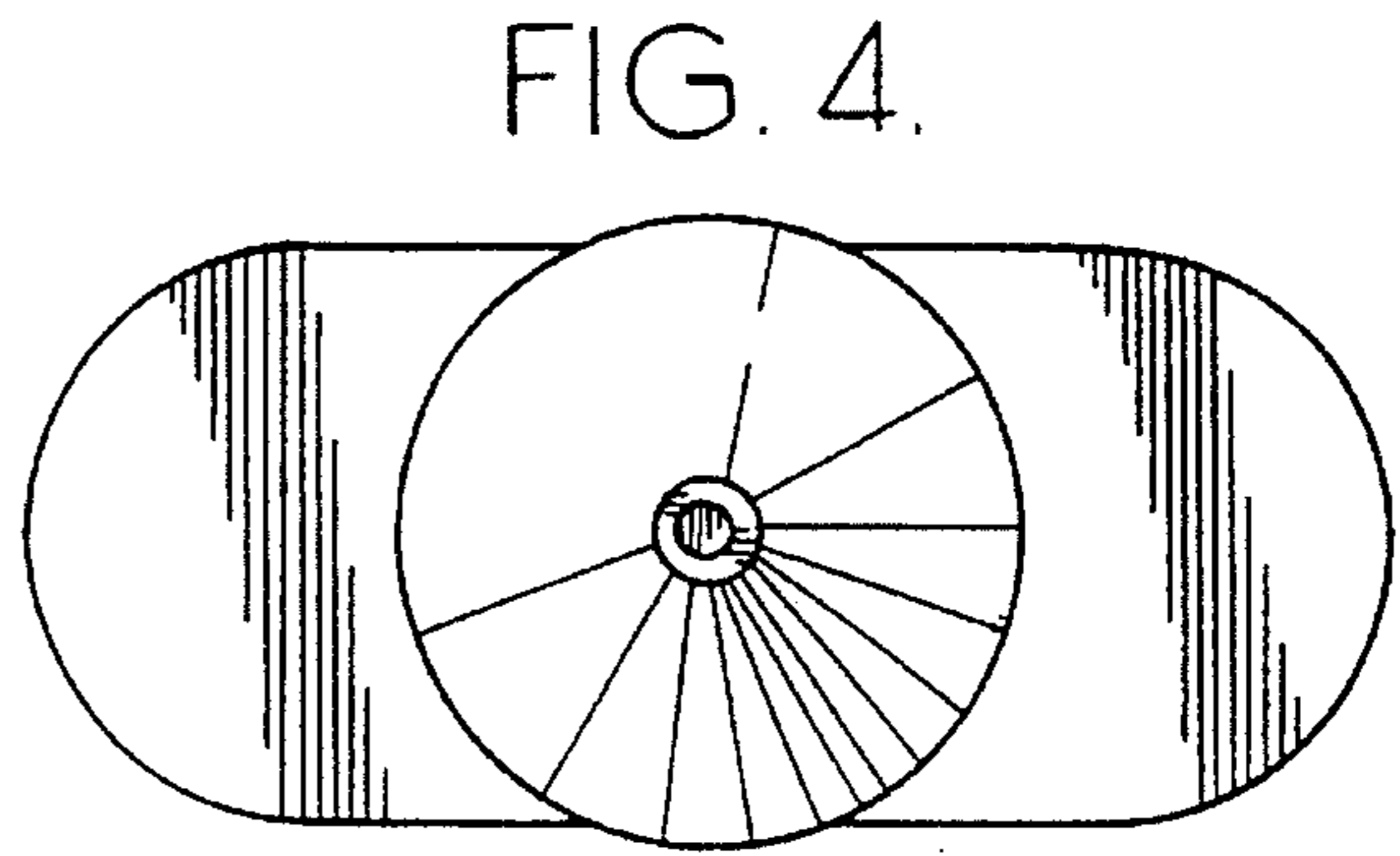
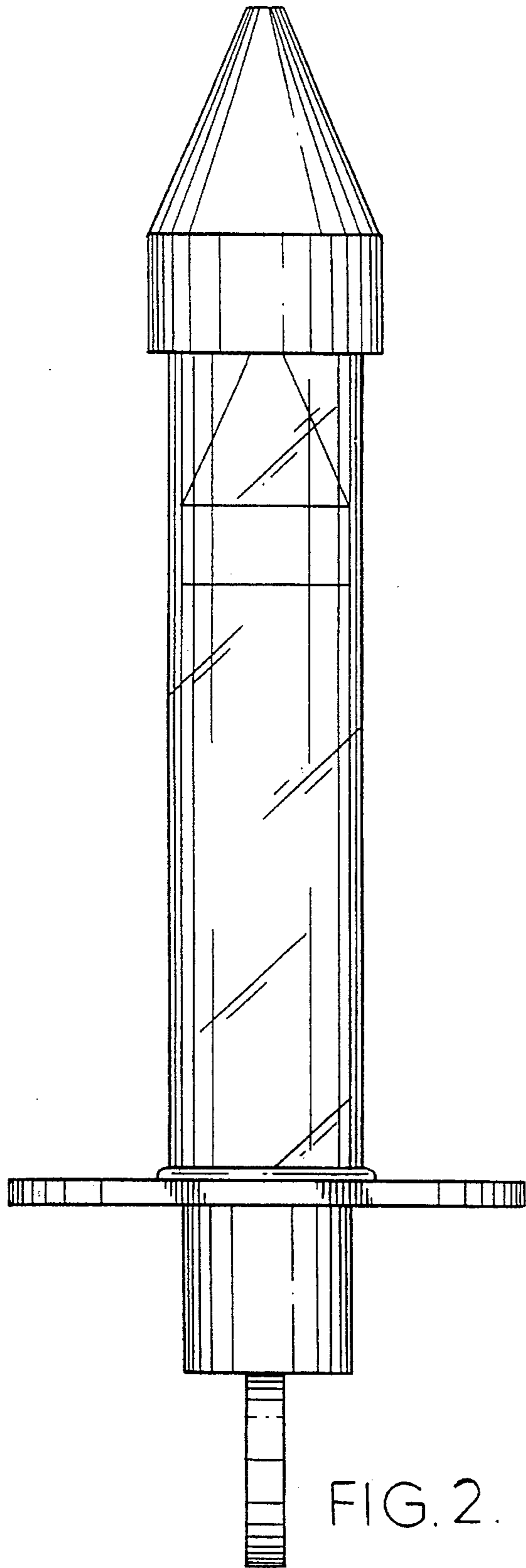


FIG. 5.

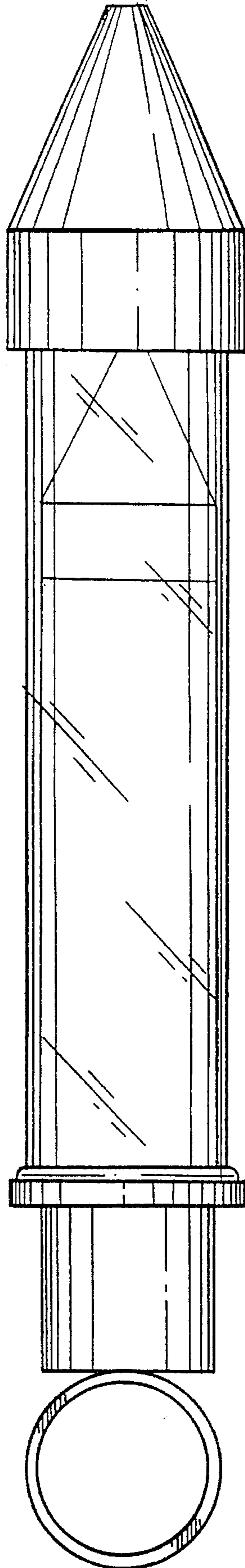


FIG. 3.