



US00D378403S

United States Patent [19]

[11] Patent Number: **Des. 378,403**

Jaspers-Fayer

[45] Date of Patent: ****Mar. 11, 1997**

[54] **CEILING FAN**

*Primary Examiner—Lisa P. Lichtenstein
Attorney, Agent, or Firm—Cooper & Dunham*

[75] Inventor: **Jan Jaspers-Fayer**, Idyllwild, Calif.

[57] CLAIM

[73] Assignee: **Minka Lighting, Inc.**, Corona, Calif.

An ornamental design for a ceiling fan, as shown and described.

[**] Term: **14 Years**

DESCRIPTION

[21] Appl. No.: **36,553**

FIG. 1 is a top front perspective view of a ceiling fan showing my new design;

[22] Filed: **Mar. 22, 1995**

[52] U.S. Cl. **D23/377; D23/379; D23/385**

FIG. 2 is a bottom perspective view thereof;

[58] Field of Search **D23/377, 379, D23/385, 411, 413; 416/5; D26/81-86, 88, 51, 59, 72, 73; 362/96; 392/364**

FIG. 3 is a side perspective view thereof, the other sides being substantially identical to that shown except for the pull cord;

[56] References Cited

U.S. PATENT DOCUMENTS

D. 256,614 8/1980 Hoyt D23/411

FIG. 4 is a top perspective view thereof; and,

FIG. 5 is a bottom perspective view thereof.

OTHER PUBLICATIONS

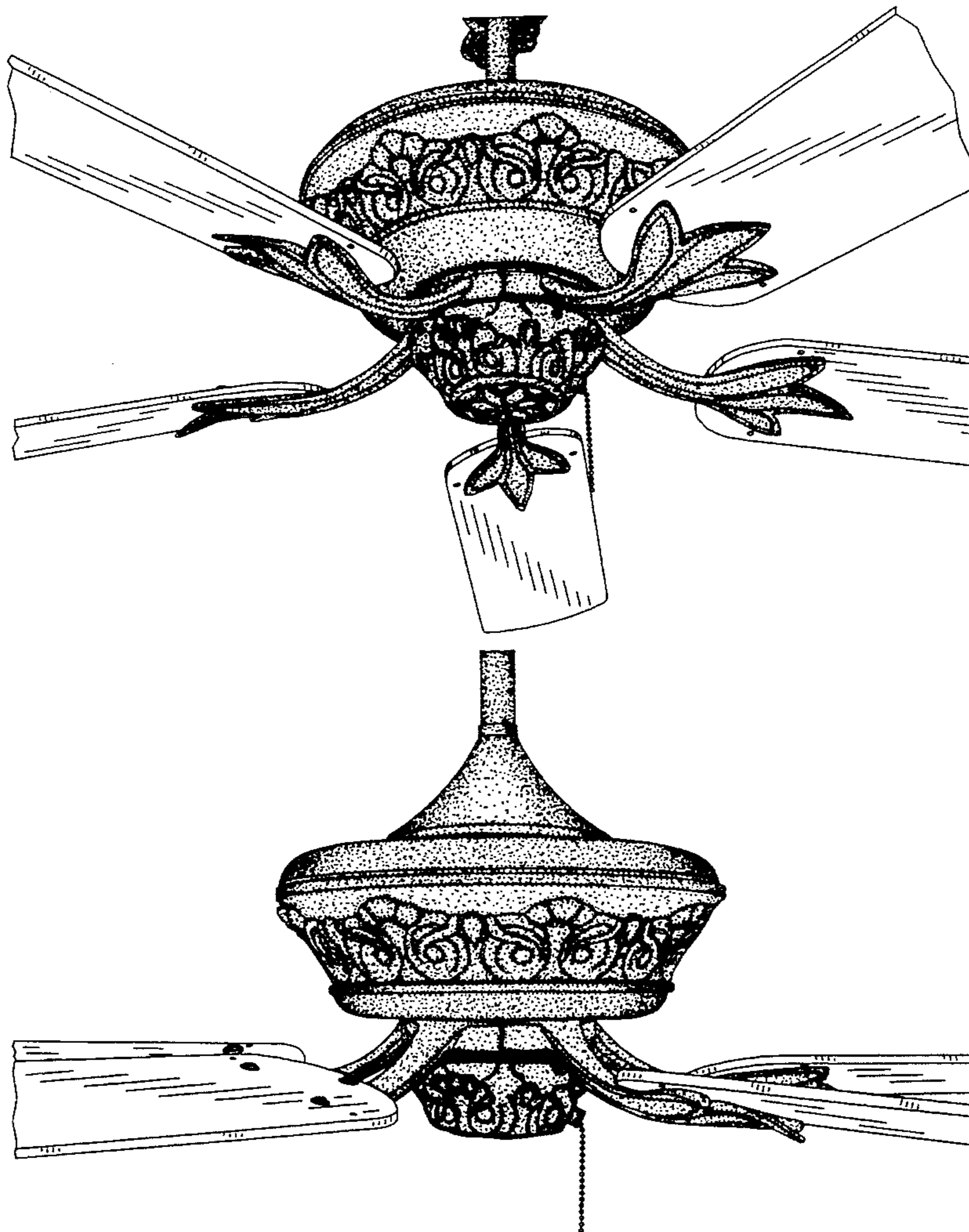
Moss Manufacturing Inc. Adv. Brochure, front cover, Ceiling Fan A.

The ceiling fan blades have been shown broken away in FIGS. 1-3 to indicate indeterminate length.

Periculum Cat., front cover, Ceiling Fan (1), top left side of page.

The support rod has been shown broken away in FIGS. 1-3 to indicate indeterminate length.

1 Claim, 5 Drawing Sheets



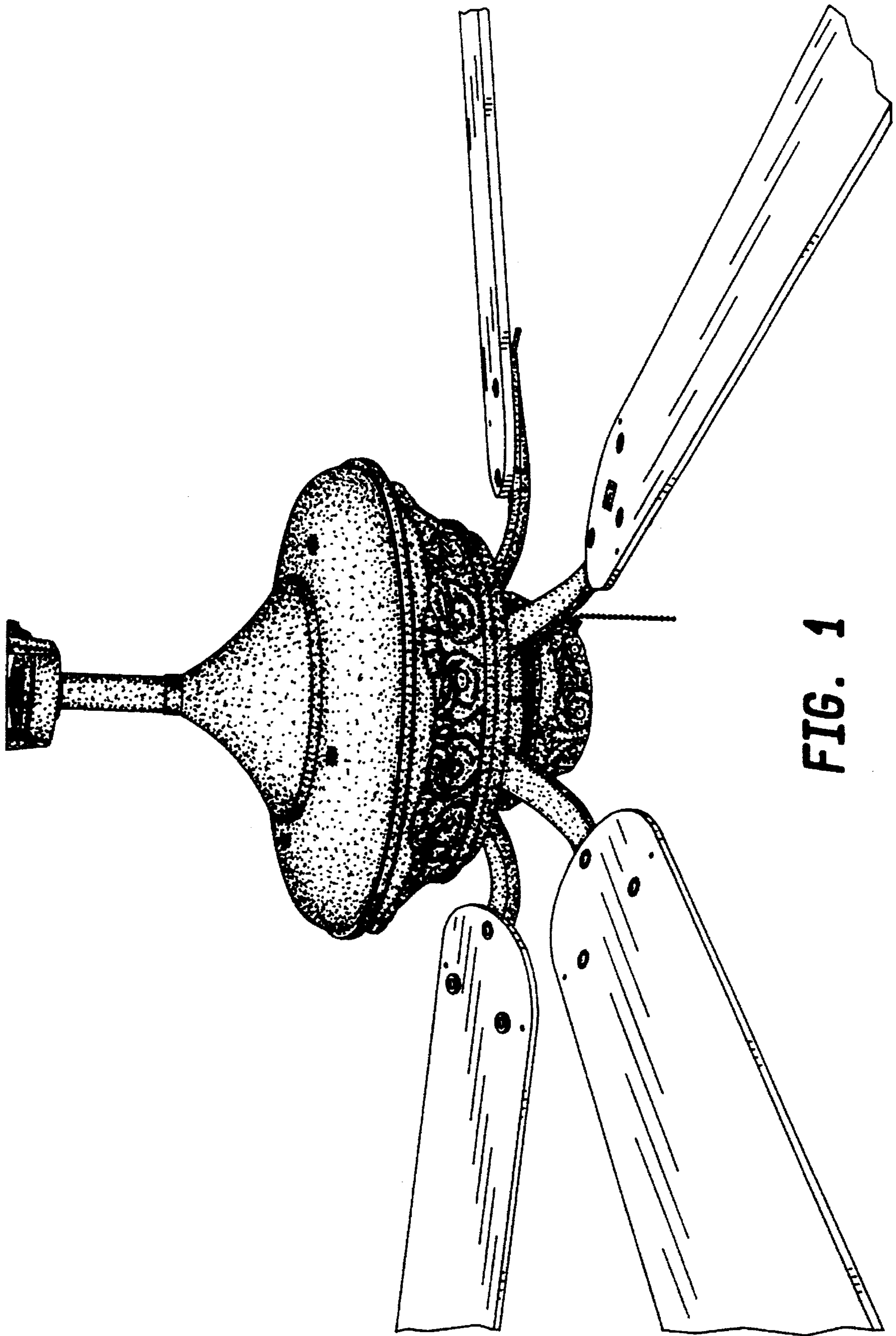


FIG. 1

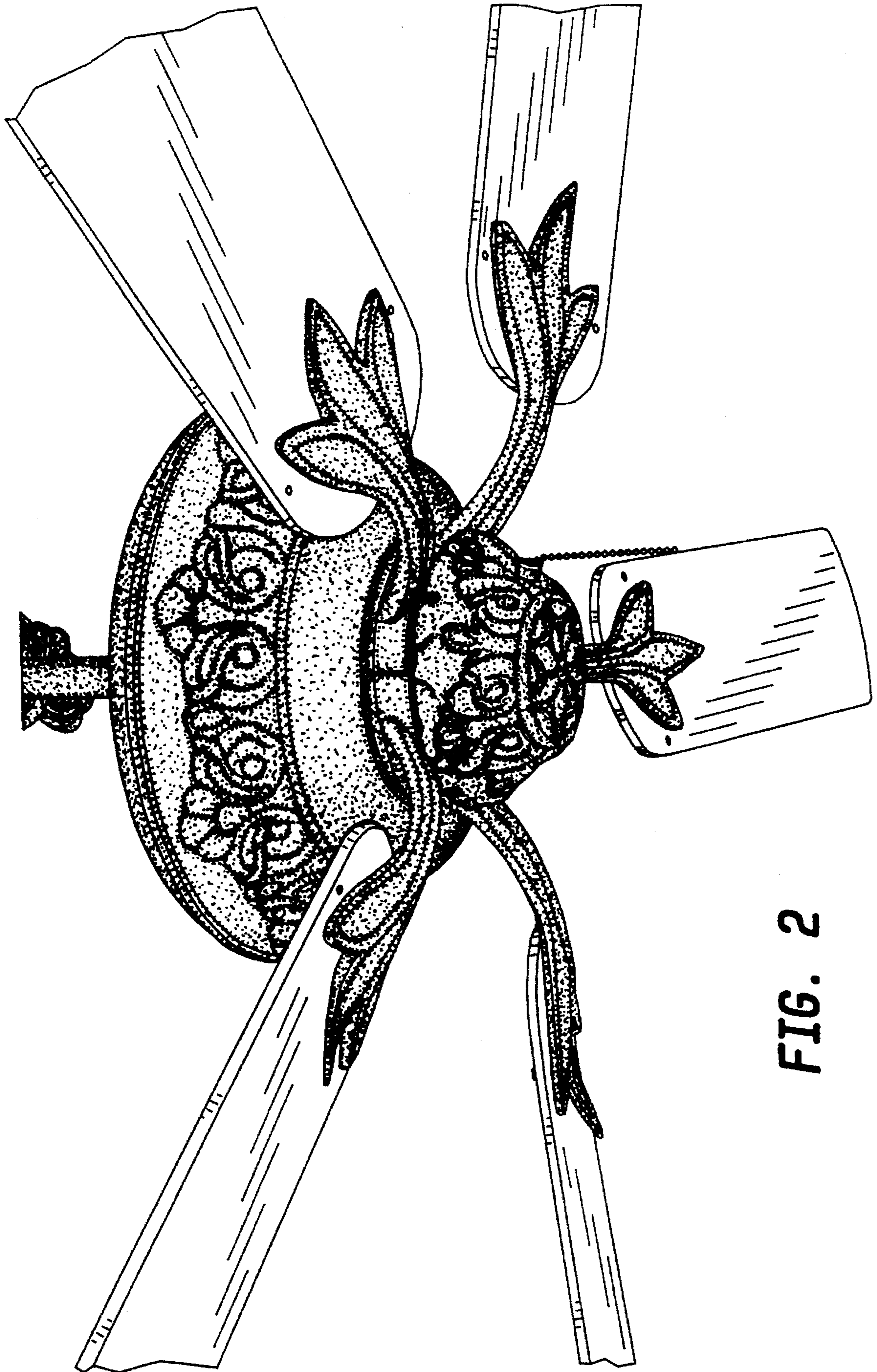


FIG. 2

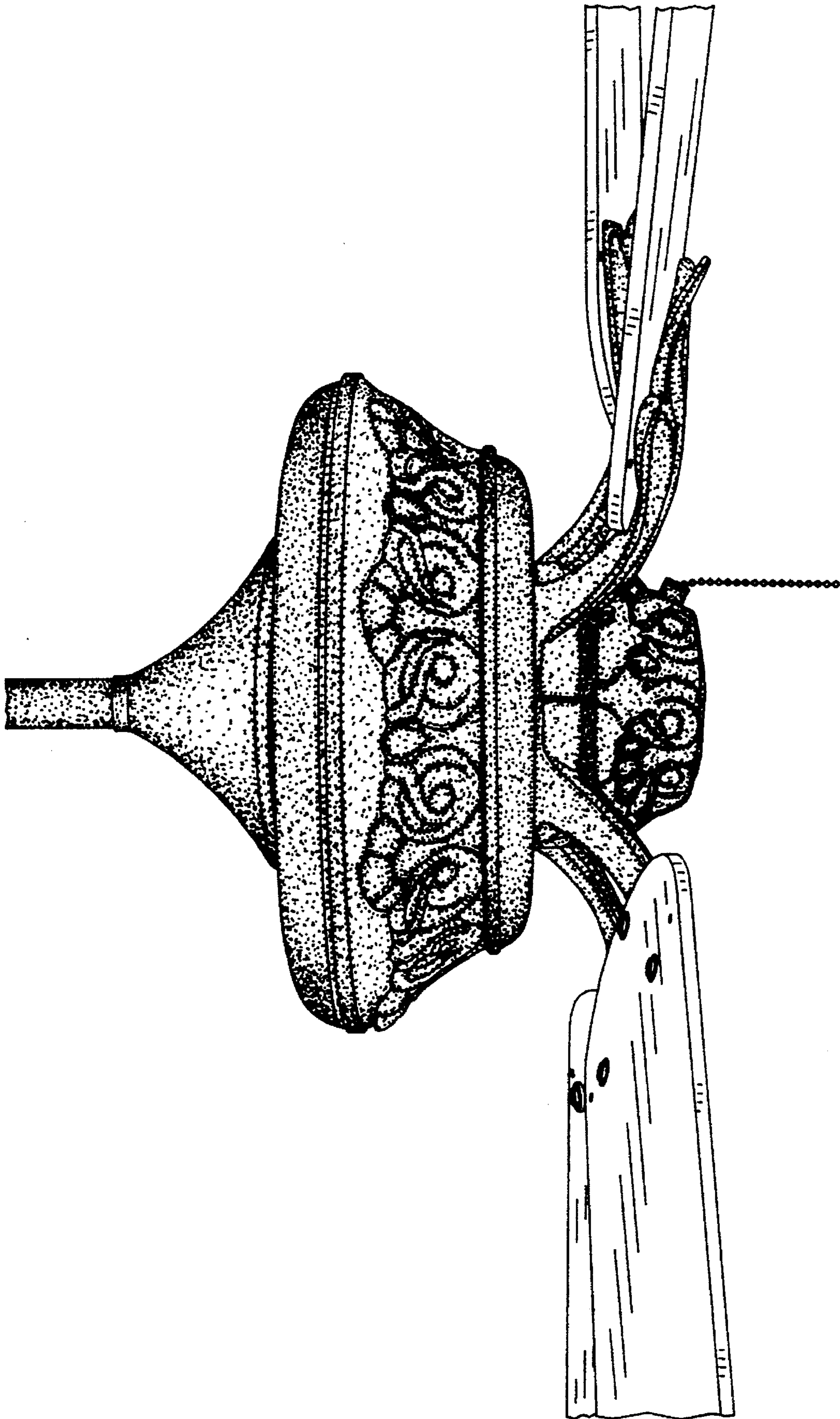


FIG. 3

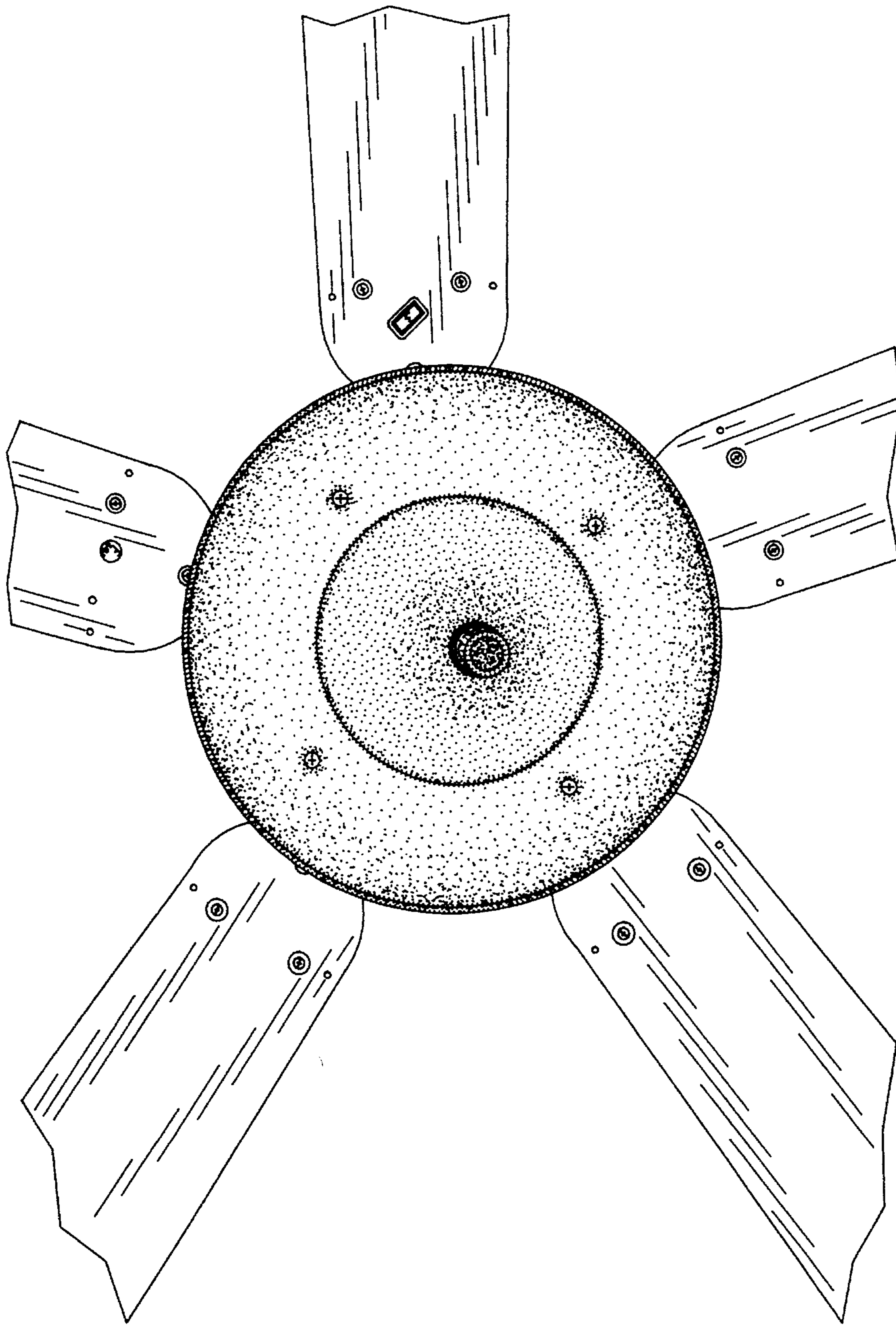


FIG. 4

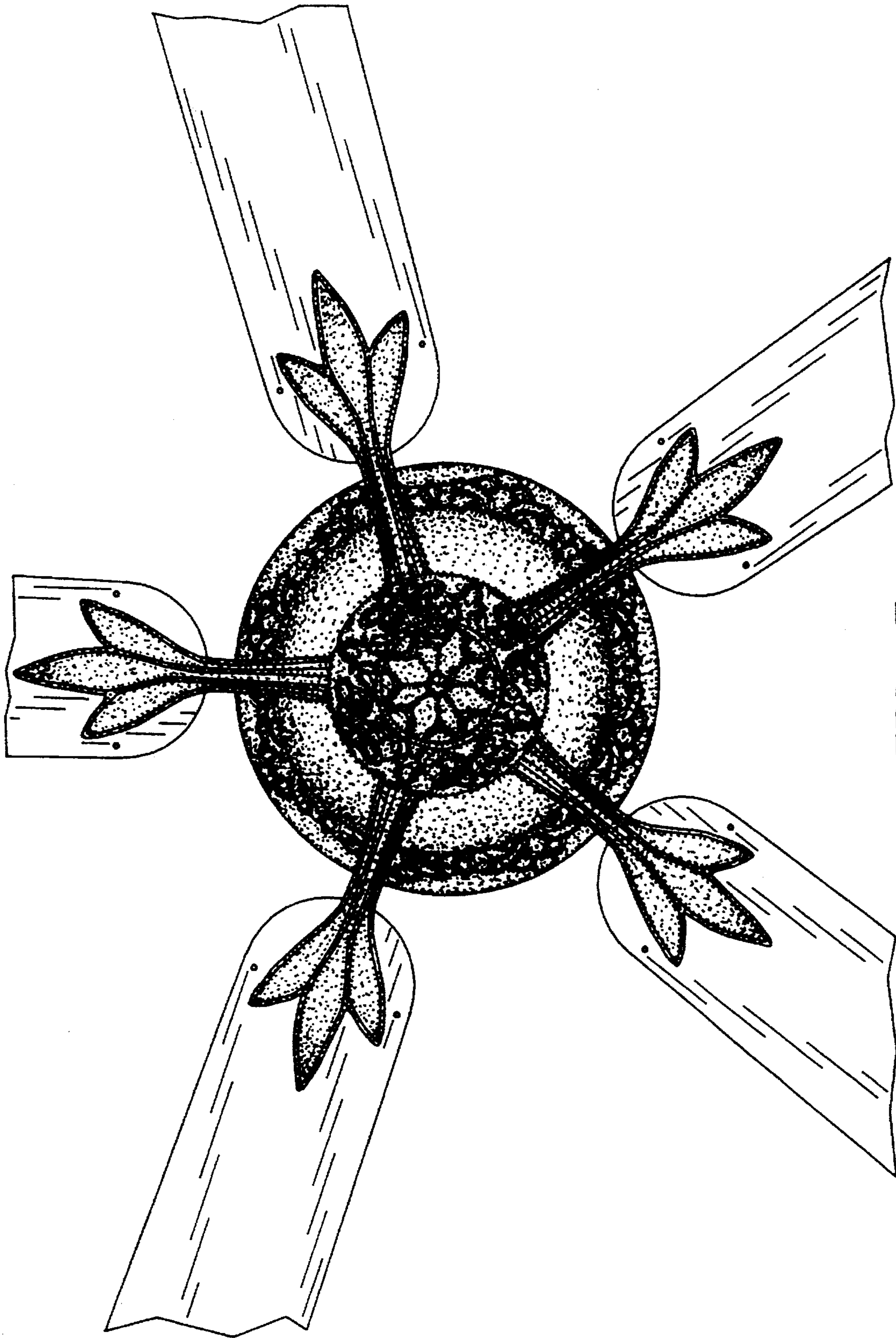


FIG. 5