



US00D378402S

United States Patent [19]

[11] Patent Number: **Des. 378,402**

Ahmady et al.

[45] Date of Patent: ****Mar. 11, 1997**

[54] RADIANT SPACE HEATER FOR RESIDENTIAL USE

[75] Inventors: **Farshid Ahmady**, Rochester Hills;
Srinivas C. Duvvuri, Sterling Heights,
both of Mich.

[73] Assignee: **Solaronics, Inc.**, Rochester, Mich.

[**] Term: **14 Years**

[21] Appl. No.: **51,164**

[22] Filed: **Mar. 4, 1996**

[52] U.S. Cl. **D23/330; D23/335**

[58] Field of Search **D23/314, 332,
D23/330, 335; 392/370, 371, 375, 376,
347; 126/91 A, 92 B**

[56] References Cited

U.S. PATENT DOCUMENTS

3,564,201	2/1971	Jones et al.	392/371
3,603,764	9/1971	Martin	219/213
4,107,512	8/1978	Brandenburg, Jr.	219/343
4,798,192	1/1989	Maruko	126/91 A
5,429,112	7/1995	Rozzi	126/116 A

FOREIGN PATENT DOCUMENTS

2201320	8/1988	United Kingdom	392/375
2204220	8/1988	United Kingdom	392/370

OTHER PUBLICATIONS

Fasco Industries Inc. Adv Brochure, p. 6, Radiant Wall Heater, middle right side of page.

Space-Ray "Cold Blocker Infrared Gas Tube Heaters Flyer", Feb. 1995 (1 page).

"Today's Choice in Gas Infra-Red Radiant Tube Heater" Advertising Brochure by Sun Technology Corp. (2 pages).

Primary Examiner—Lisa Lichtenstein

Attorney, Agent, or Firm—Young & Basile, P.C.

[57] CLAIM

The ornamental design for a radiant space heater for residential use, as shown.

DESCRIPTION

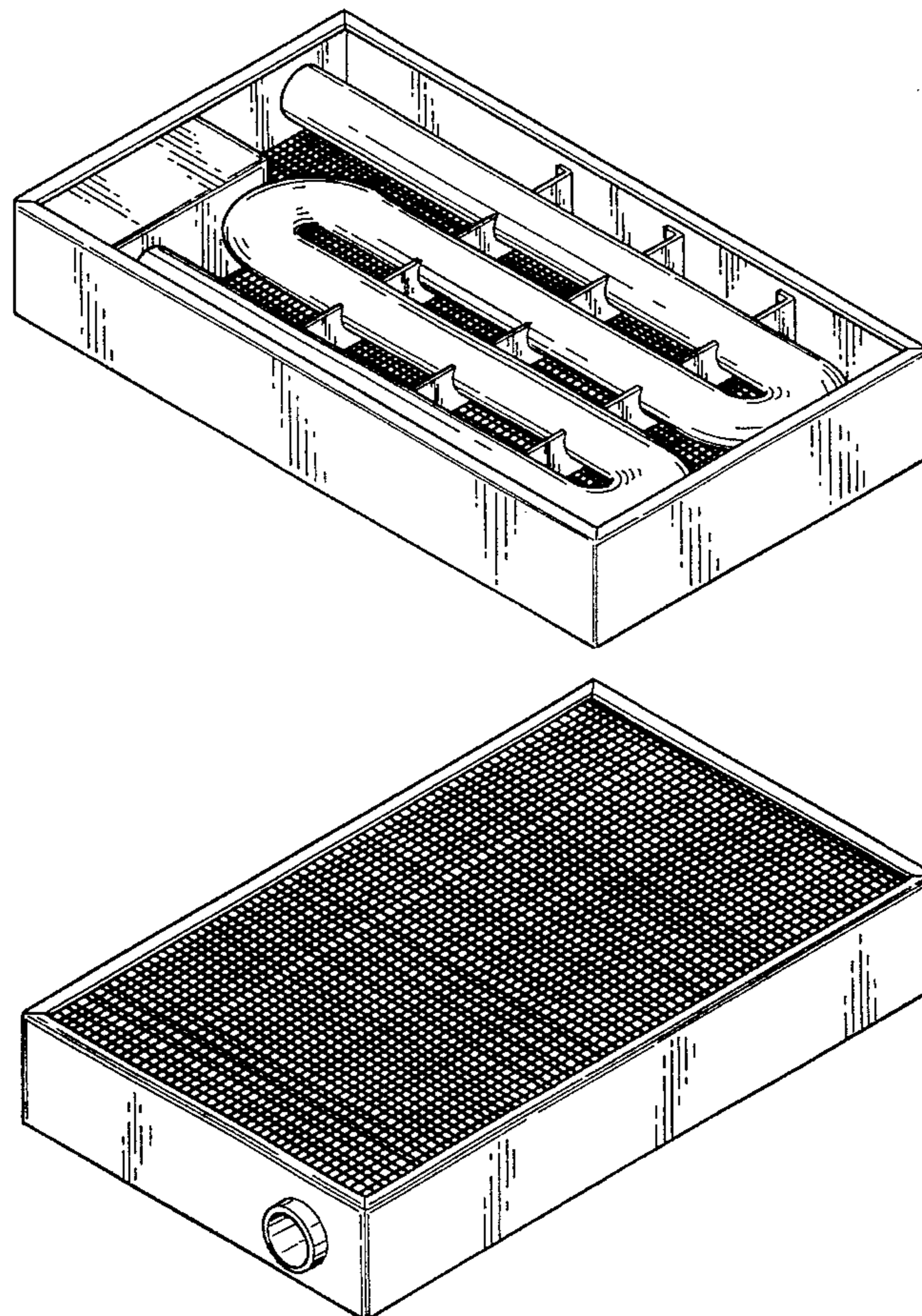
FIG. 1 is a perspective view showing the top of a radiant heater according to the present invention;

FIG. 2 is a perspective view showing the bottom of the heater of FIG. 1;

FIG. 3 is a bottom view of the heater of FIG. 1; and,

FIG. 4 is a top plan view of the heater of FIG. 1.

1 Claim, 2 Drawing Sheets



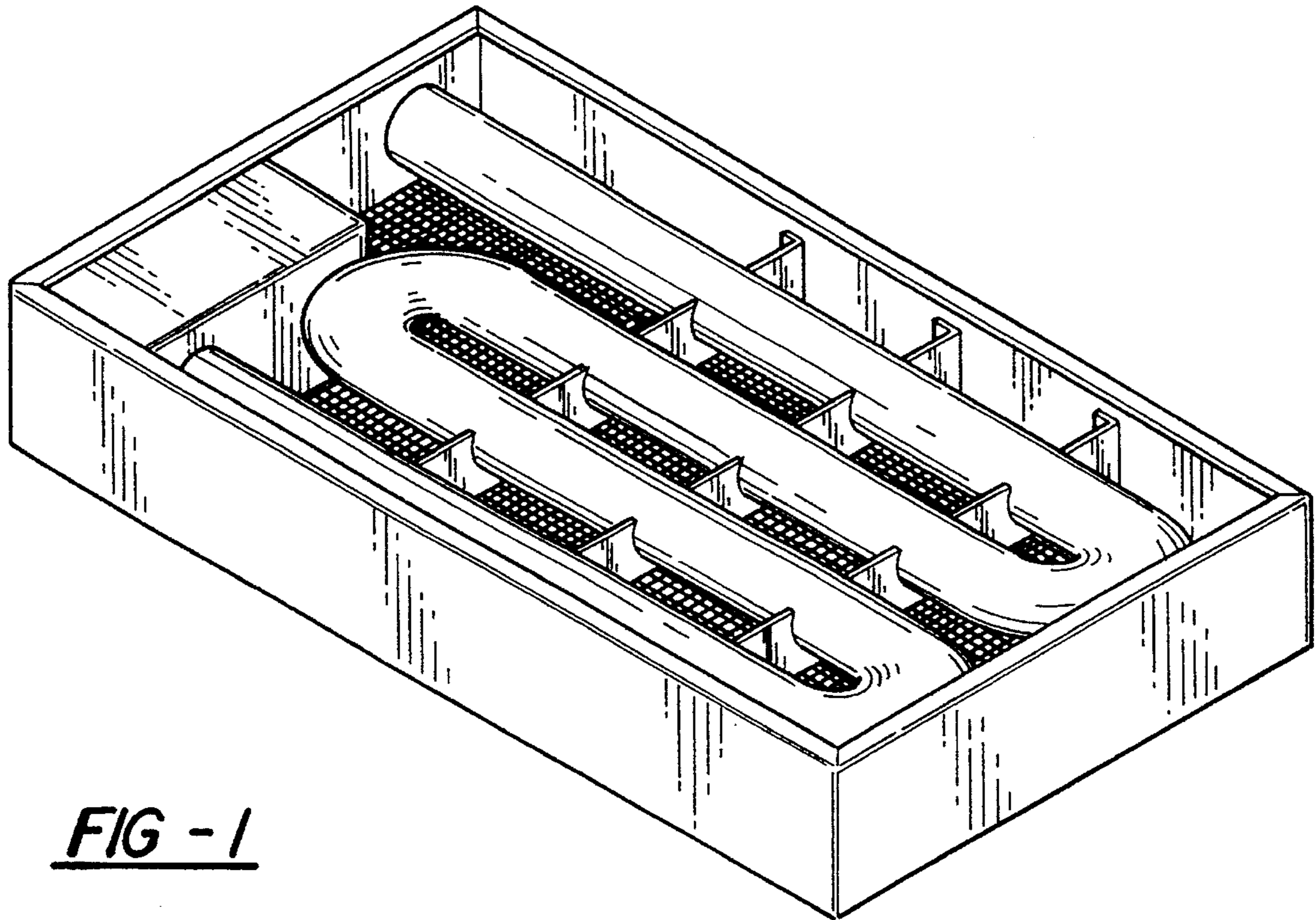


FIG - 1

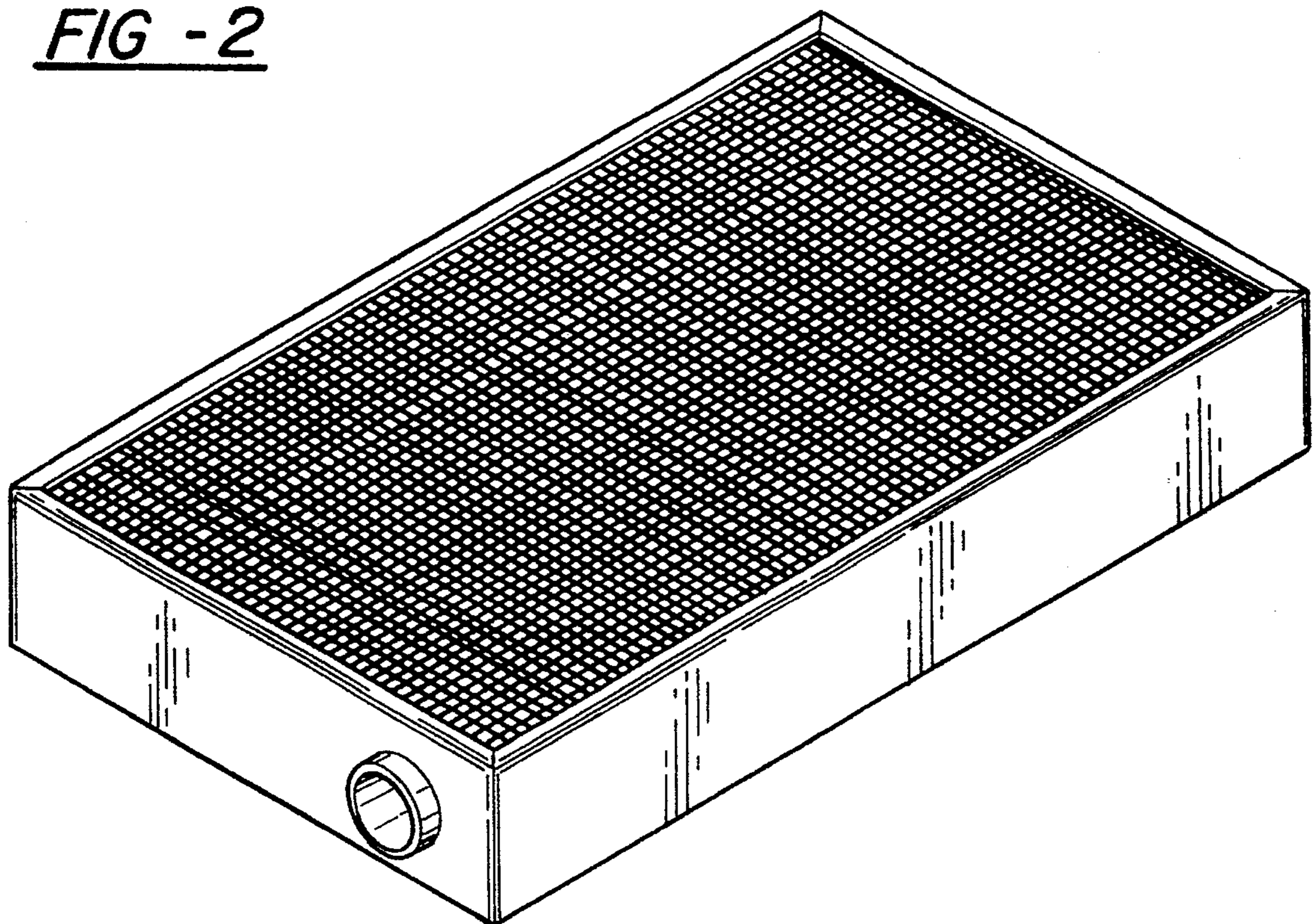


FIG - 2

FIG - 3

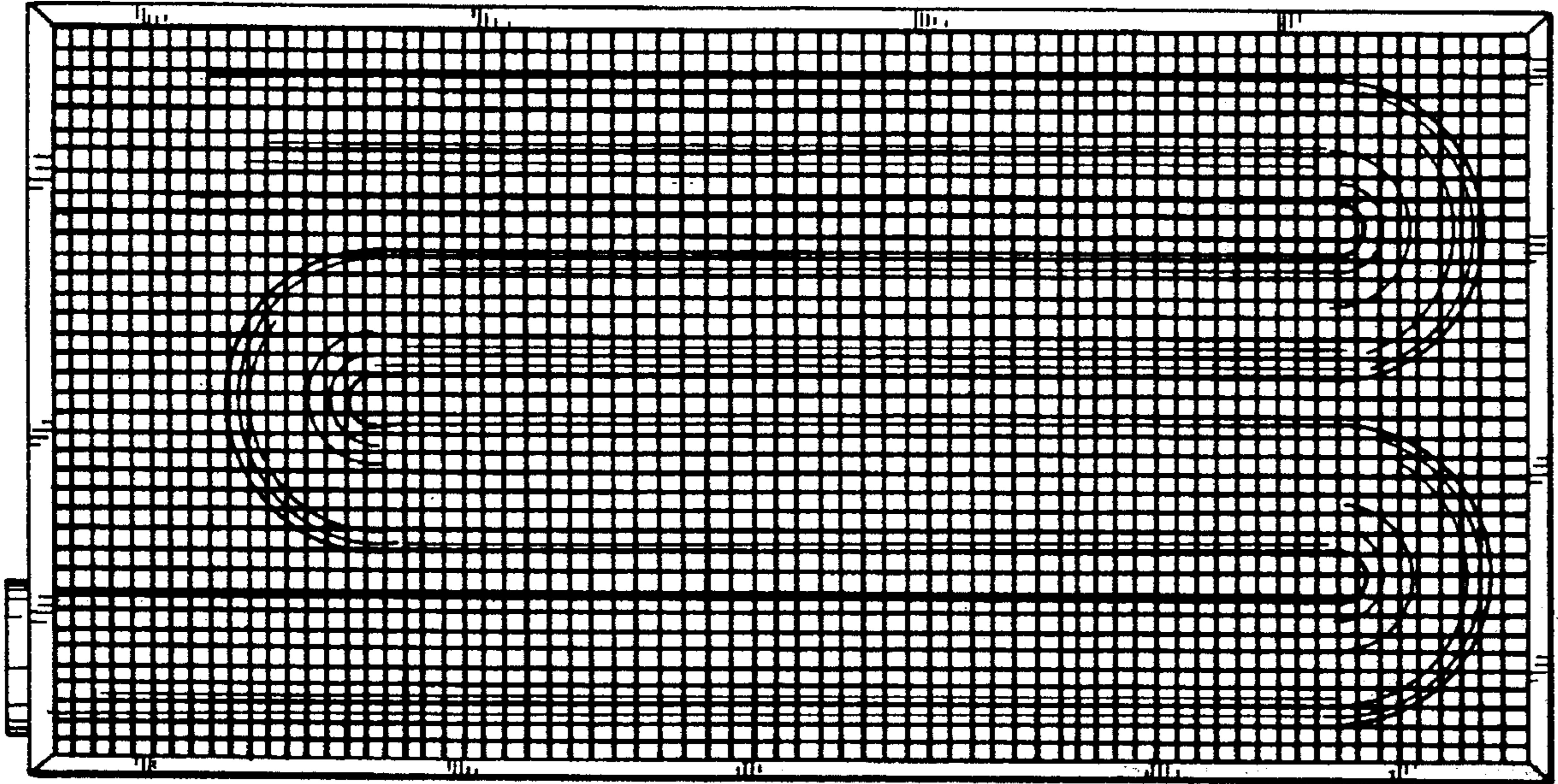


FIG - 4

