



US00D378399S

# United States Patent [19]

[11] Patent Number: **Des. 378,399**

Simonetti et al.

[45] Date of Patent: **\*\*Mar. 11, 1997**

[54] **ROTARY SPRINKLER**

OTHER PUBLICATIONS

[75] Inventors: **Sergio G. Simonetti**, Westport, Conn.;  
**Howard W. Andrews**, Winchester, Va.

#DWR-2001-CR Pattern Sprinkler; Rain Bird catalog.

[73] Assignee: **Melnor Inc.**, Winchester, Va.

*Primary Examiner*—A. Hugo Word

*Assistant Examiner*—Robin V. Taylor

[\*\*] Term: **14 Years**

*Attorney, Agent, or Firm*—Baker, Donelson, Bearman & Caldwell

[21] Appl. No.: **47,276**

[57] **CLAIM**

The ornamental design for a rotary sprinkler, as shown and described.

[22] Filed: **Nov. 30, 1995**

[52] U.S. Cl. .... **D23/214**

**DESCRIPTION**

[58] **Field of Search** ..... D23/213, 216-219;  
239/230-3, 222.13, 222.21, 390-3, 380-3,  
459-462, 394

FIG. 1 is a top perspective view of a rotary sprinkler showing our new design;

FIG. 2 is a top plan view thereof;

FIG. 3 is a bottom plan view thereof;

FIG. 4 is a right-side elevational view thereof;

FIG. 5 is a left-side elevational view thereof;

FIG. 6 is an end elevational view thereof, taken from the left side of FIG. 4; and,

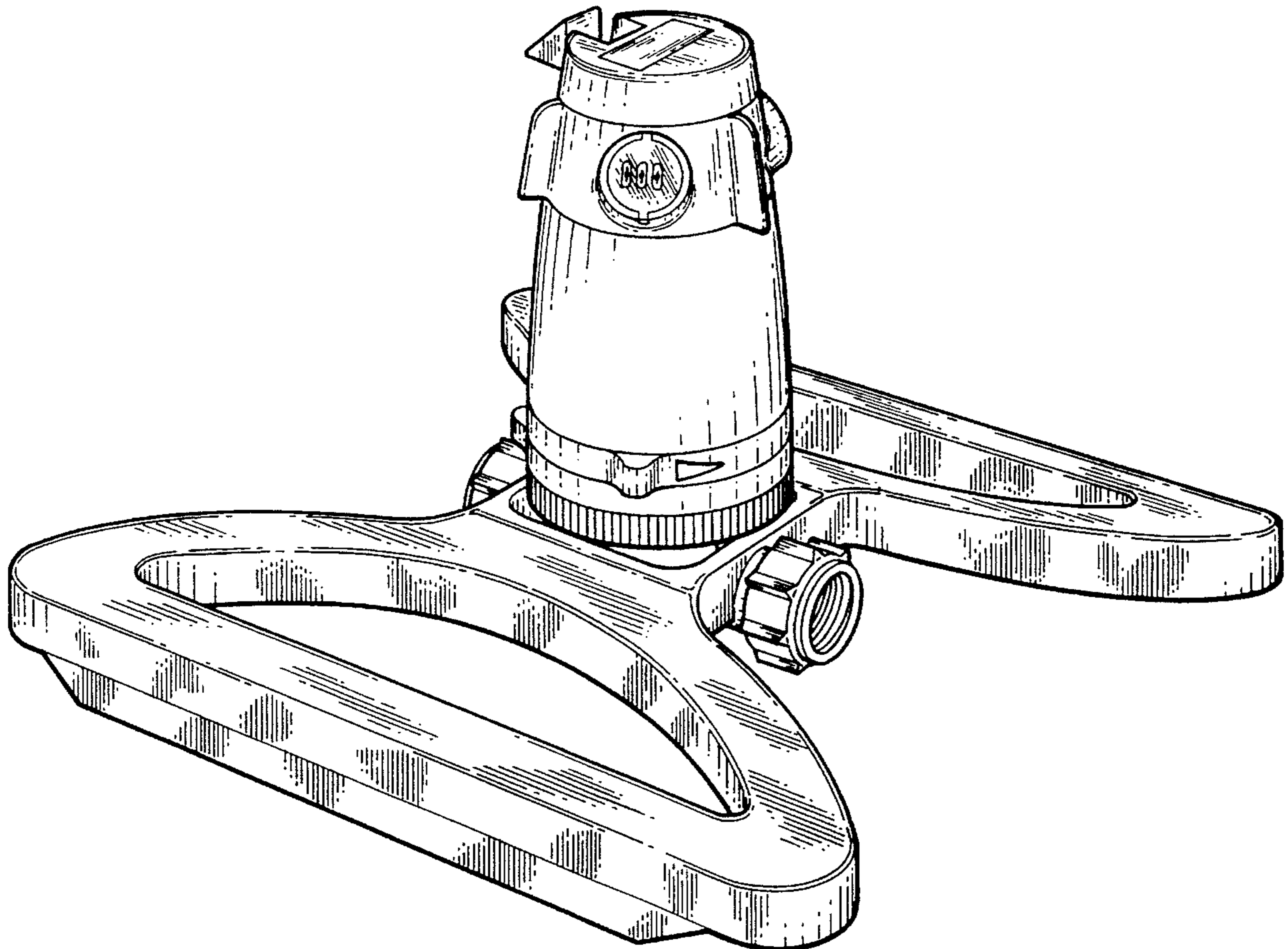
FIG. 7 is an opposite end elevational view thereof, taken from the right side of FIG. 4.

[56] **References Cited**

**U.S. PATENT DOCUMENTS**

D. 239,174	3/1976	Clivio	.....	D23/214
D. 277,777	2/1985	Lemkin	.....	D23/214
D. 305,791	1/1990	Lang	.....	D23/214
D. 358,449	5/1995	Ford	.....	D23/214
3,464,628	9/1969	Chow	.....	239/232

**1 Claim, 7 Drawing Sheets**



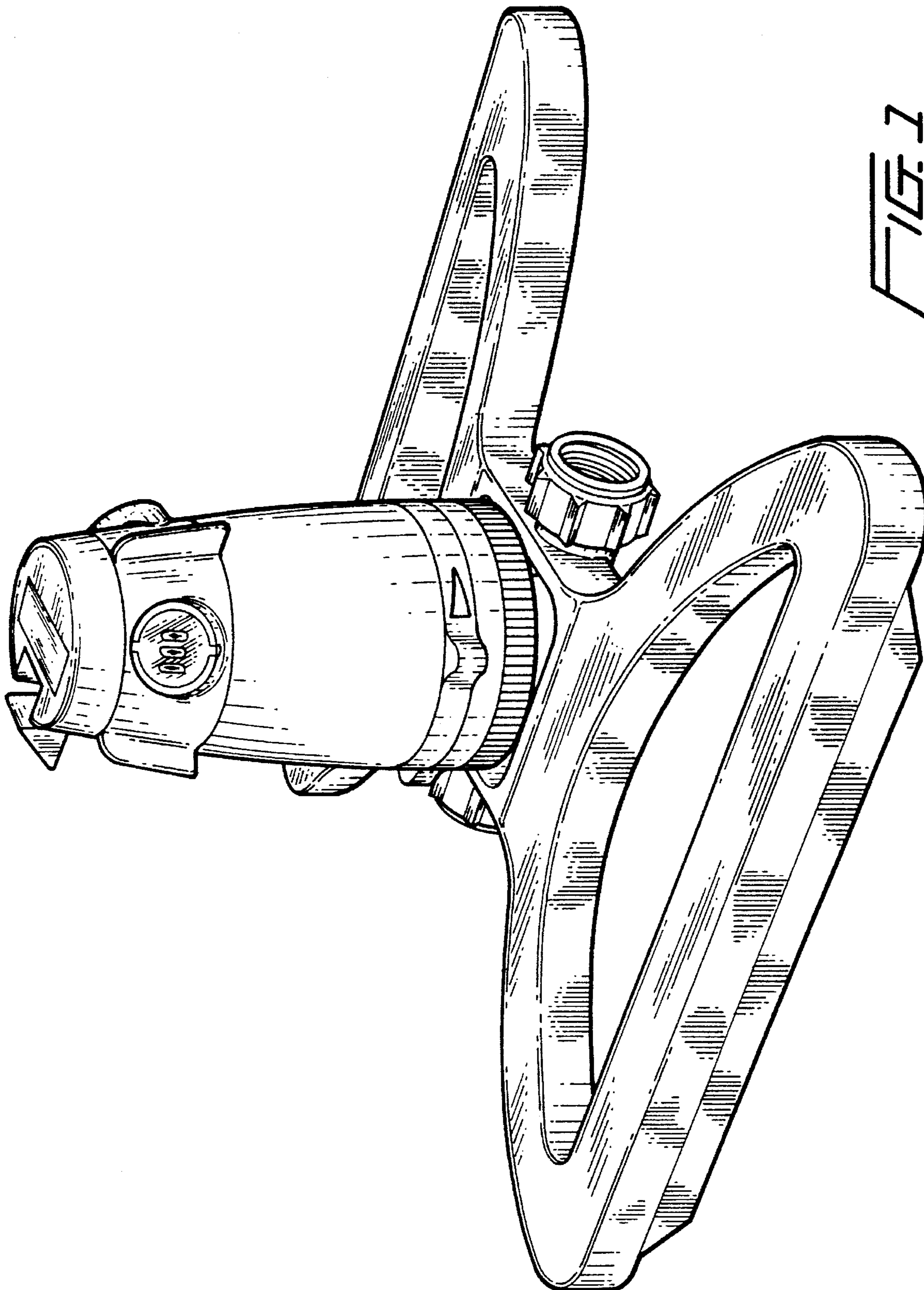


FIG. 1

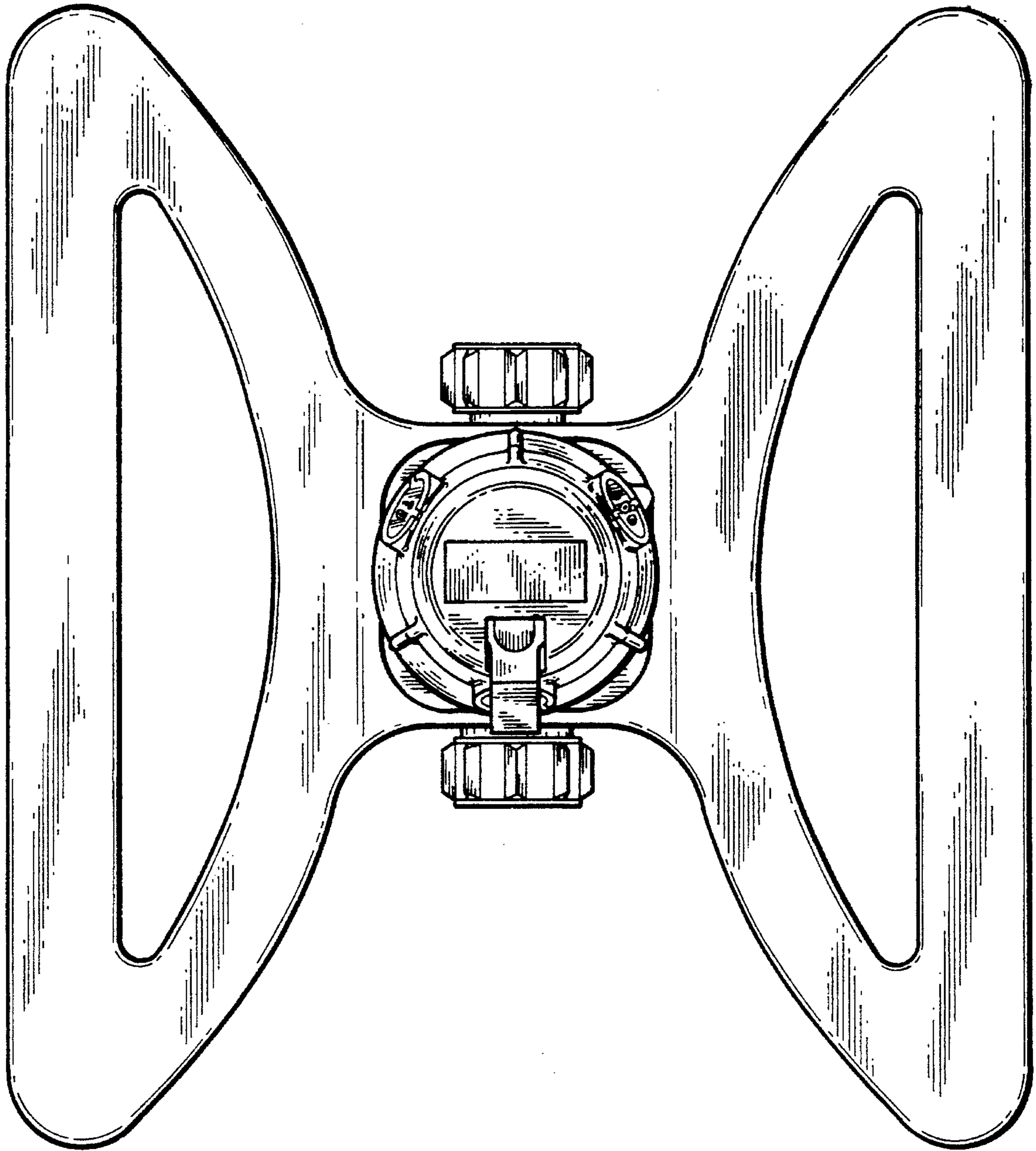


FIG. 2



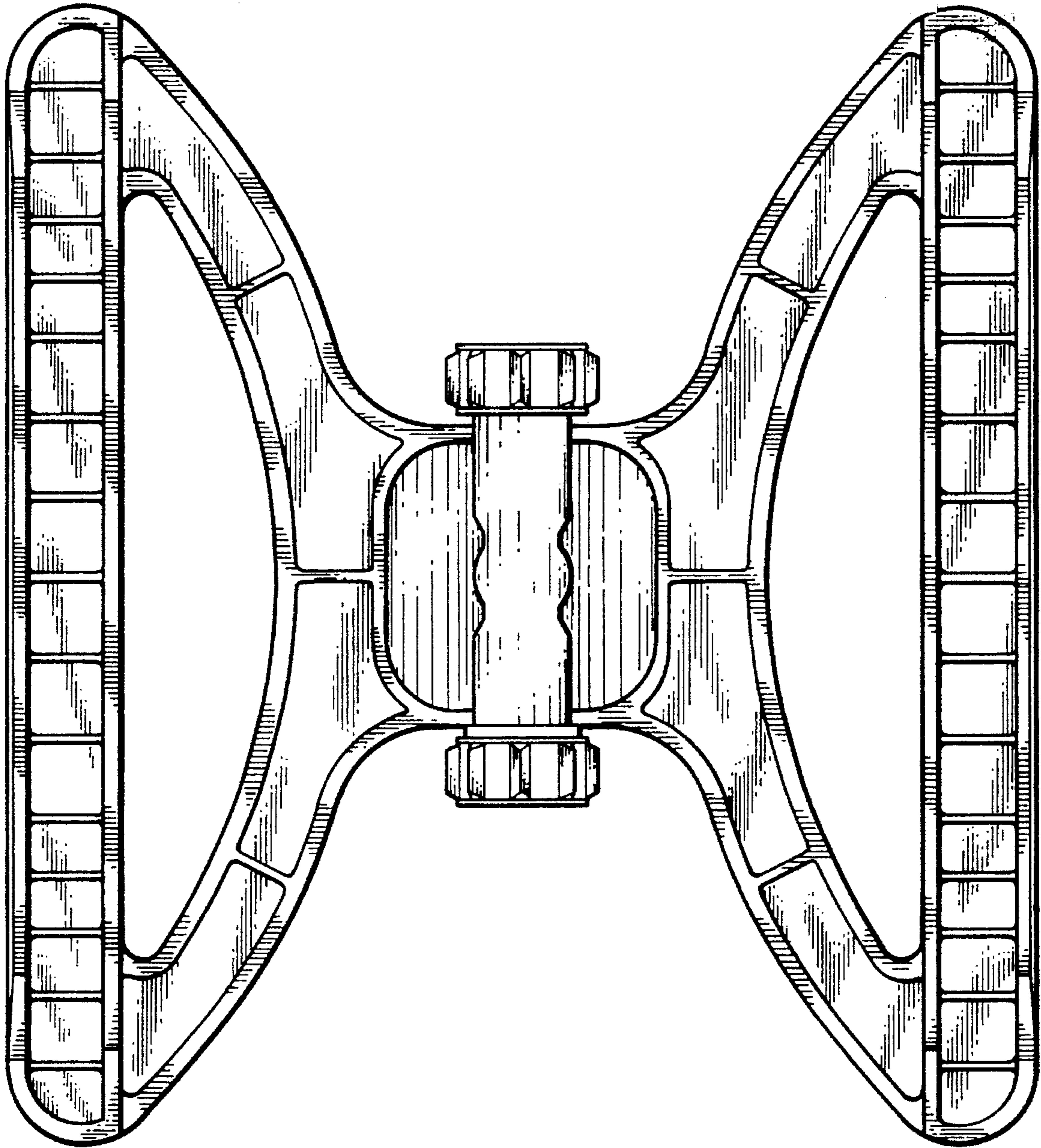


FIG. 3

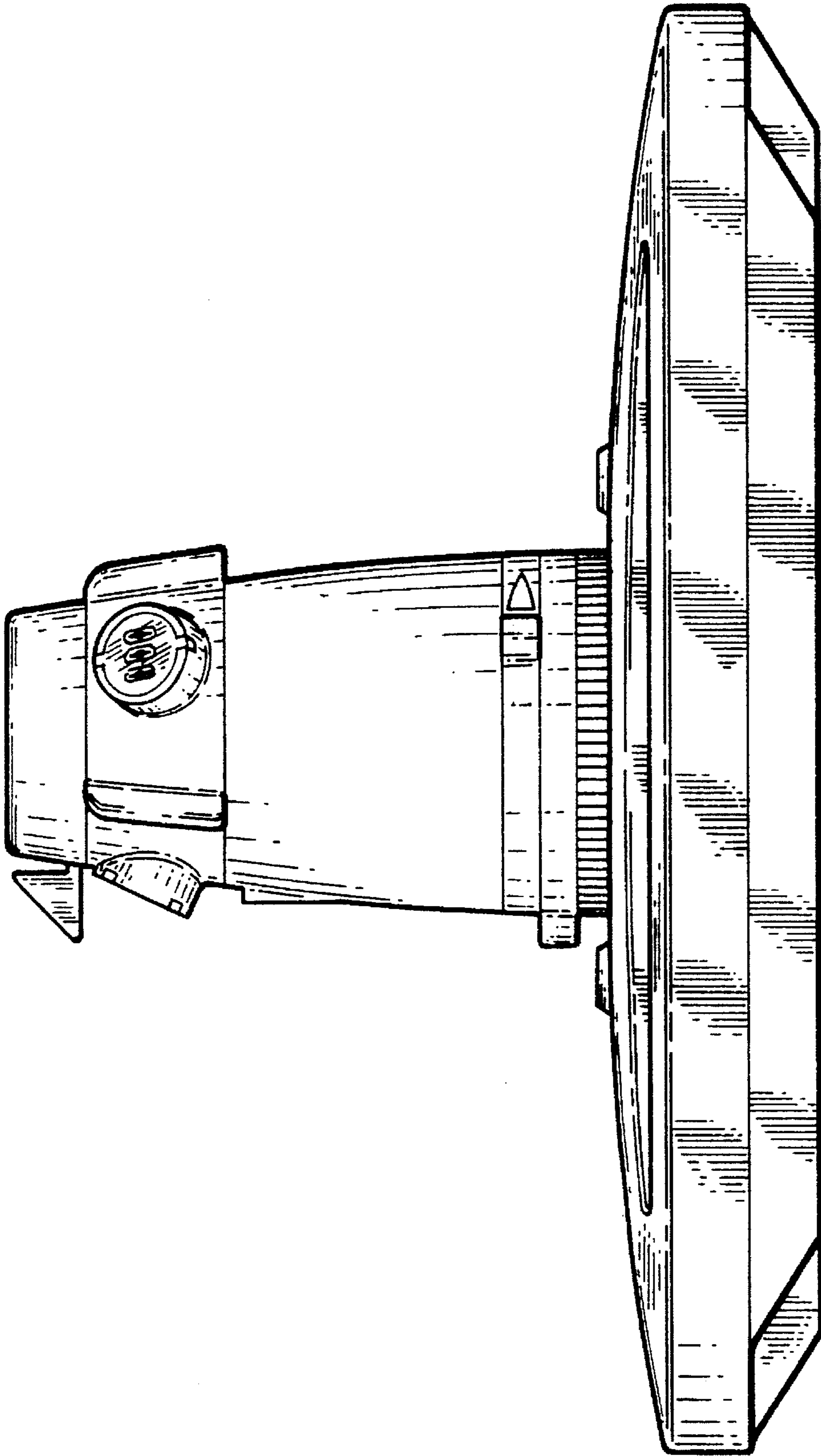


FIG. 4

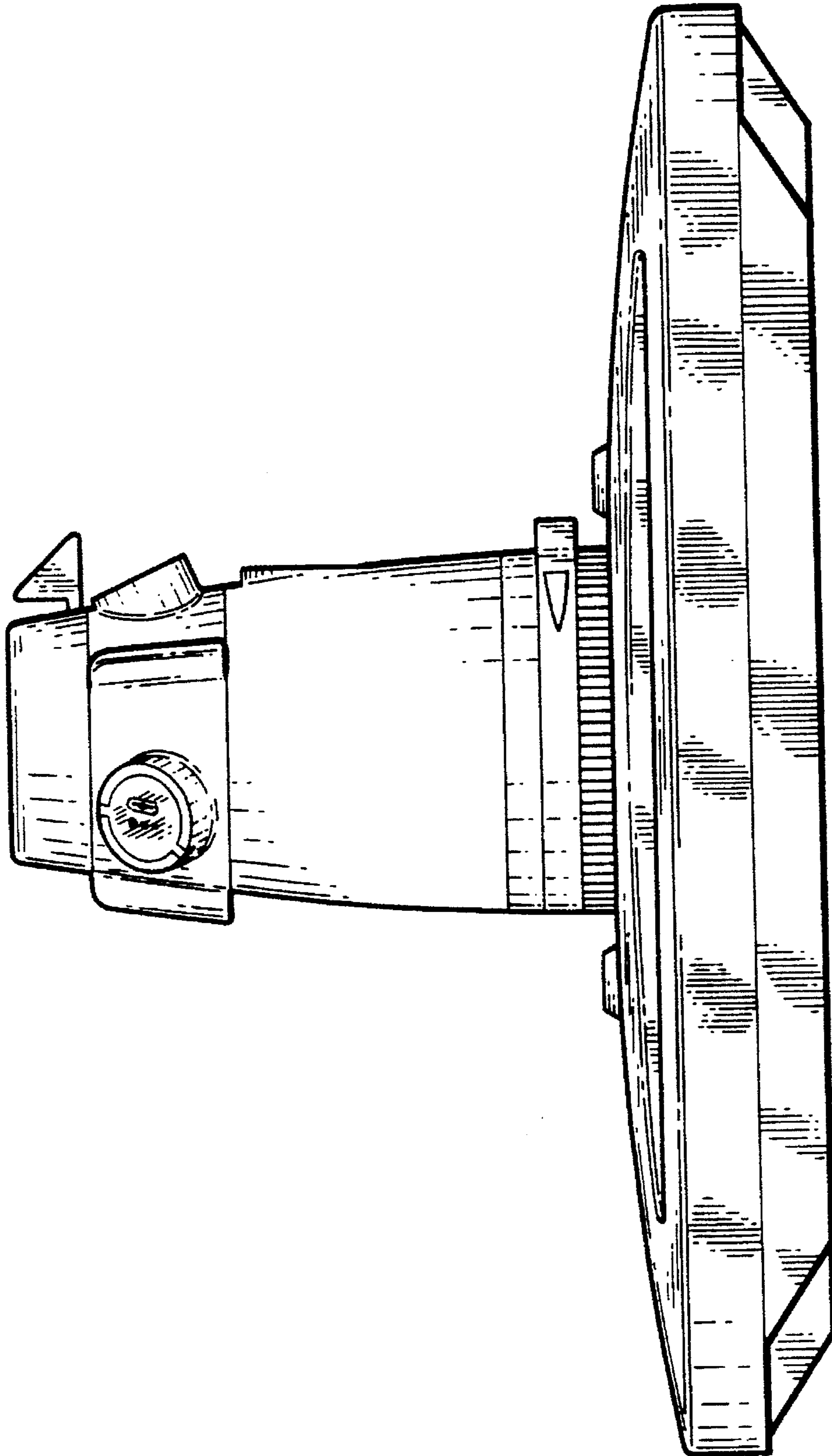


FIG. 5

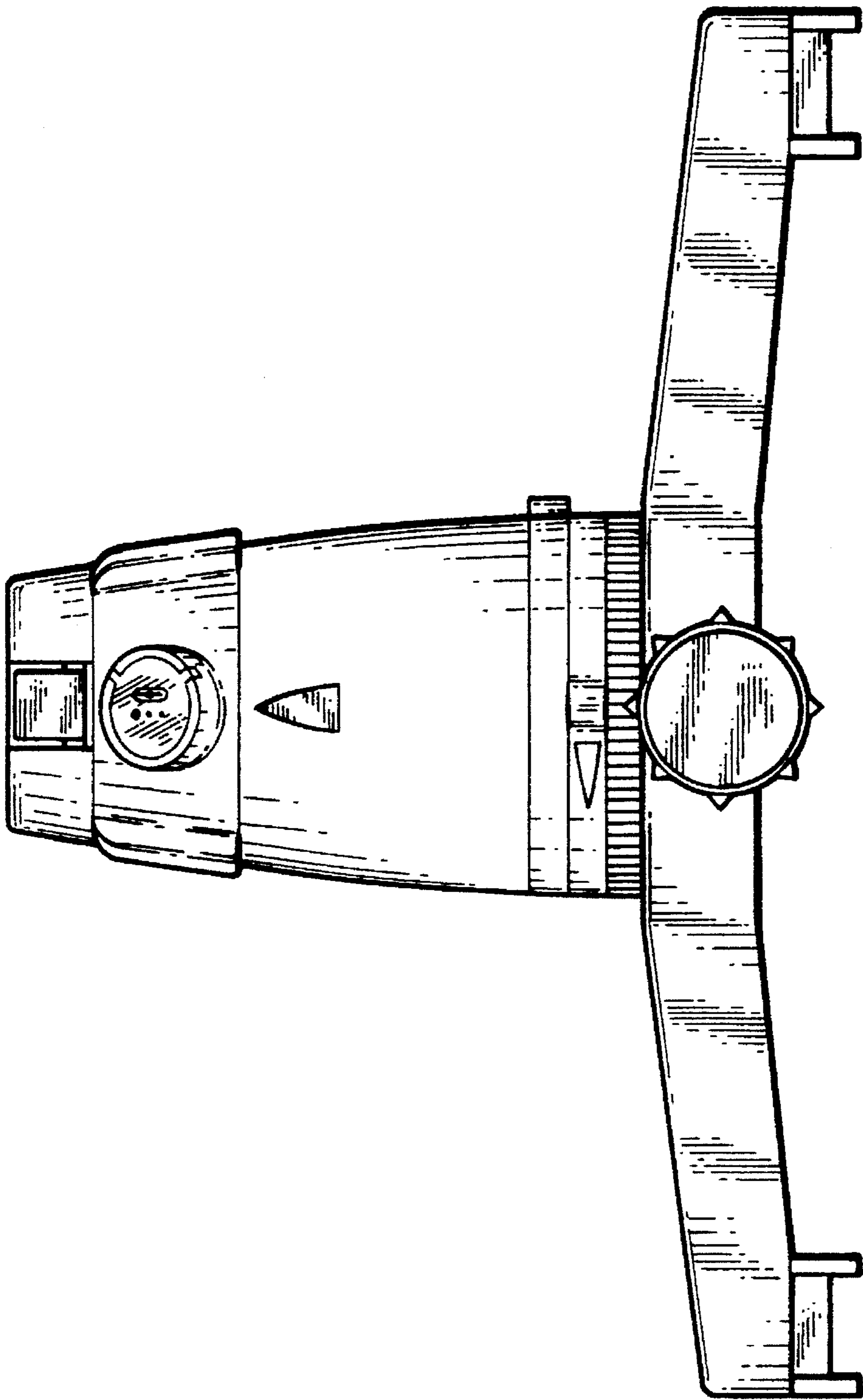


FIG. 6

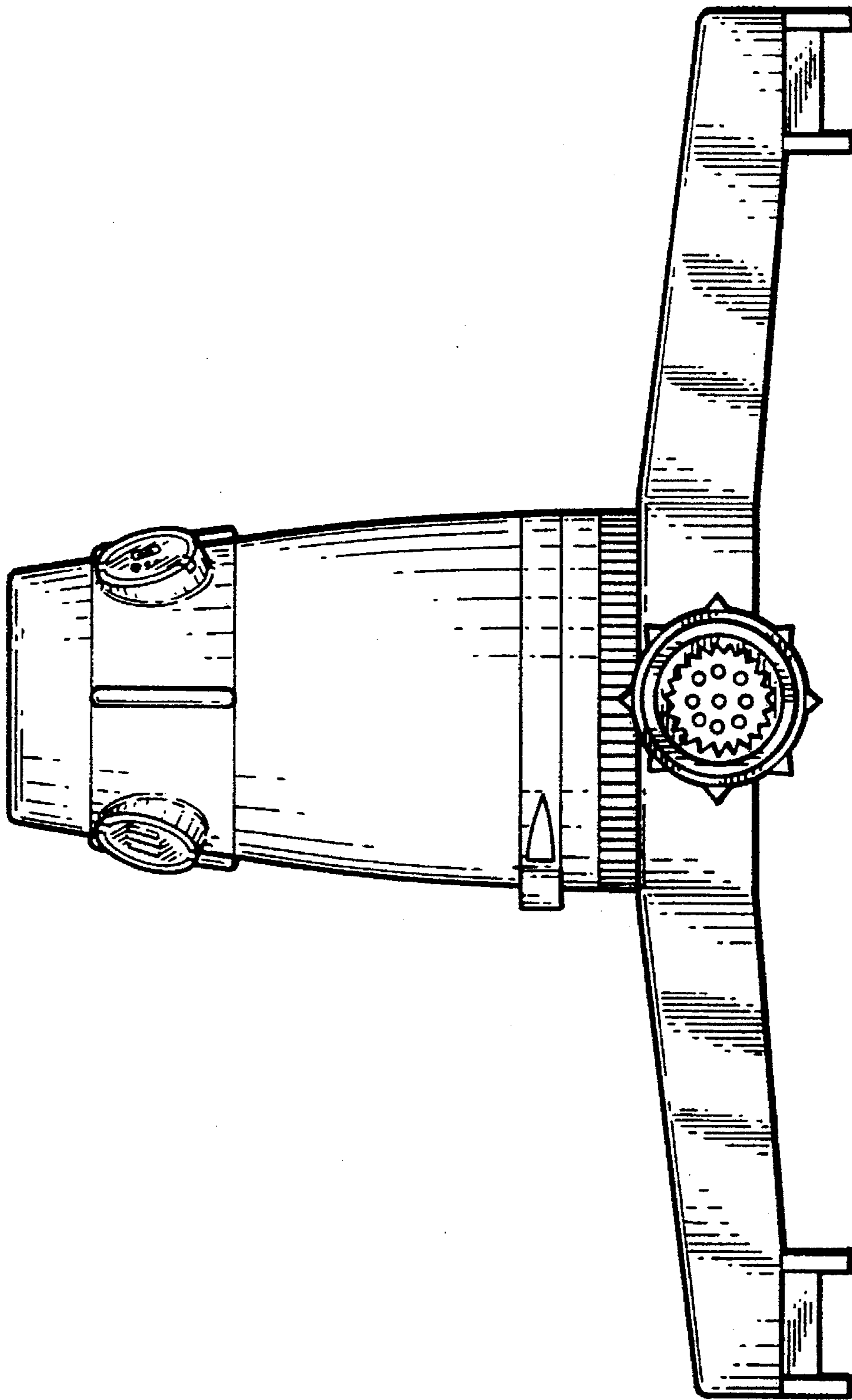


FIG. 7