



US00D378398S

United States Patent [19]

[11] Patent Number: **Des. 378,398**

Osburn

[45] Date of Patent: ****Mar. 11, 1997**

[54] **FLY ROD HOLDER**

[76] Inventor: **L. Darryl Osburn**, 112 Freeze La.,
Hamilton, Mont. 59840

[**] Term: **14 Years**

[21] Appl. No.: **45,160**

[22] Filed: **Oct. 11, 1995**

[52] U.S. Cl. **D22/147**

[58] Field of Search D22/147, 148;
43/21.2; 248/538, 511, 514, 515, 541; 441/131,
129

[56] **References Cited**

U.S. PATENT DOCUMENTS

D. 334,226	3/1993	Engle	D22/147
D. 366,091	1/1996	Delekta et al.	D22/147
4,030,151	6/1977	McKeen, Jr.	9/1.7
4,198,775	4/1980	Lesiner	43/21.2
4,624,069	11/1986	Schneider	43/21.2
4,637,156	1/1987	Simmons	43/21.2
4,746,253	5/1988	Simmons	43/17
4,807,384	2/1989	Roberts, Sr.	43/21.2
4,861,301	8/1989	Pomeroy et al.	441/131
5,052,146	10/1991	Resnick	43/21.2
5,121,565	6/1992	Wille et al.	43/21.2 X
5,142,809	9/1992	O'Brien et al.	43/21.2

5,184,797	2/1993	Hurner	248/538
5,190,194	3/1993	Rosner et al.	224/0.5
5,230,646	7/1993	Thorup	441/131
5,313,734	5/1994	Roberts	248/514 X

Primary Examiner—Doris V. Coles
Attorney, Agent, or Firm—Harry M. Cross, Jr.

[57] **CLAIM**

The ornamental design for a fly rod holder, as shown and described.

DESCRIPTION

FIG. 1 is a top right side perspective view of a fly rod holder showing my new design, with a fly rod and straps in phantom;

FIG. 2 is a top plan view thereof;

FIG. 3 is a right side elevation view thereof;

FIG. 4 is front elevation view thereof;

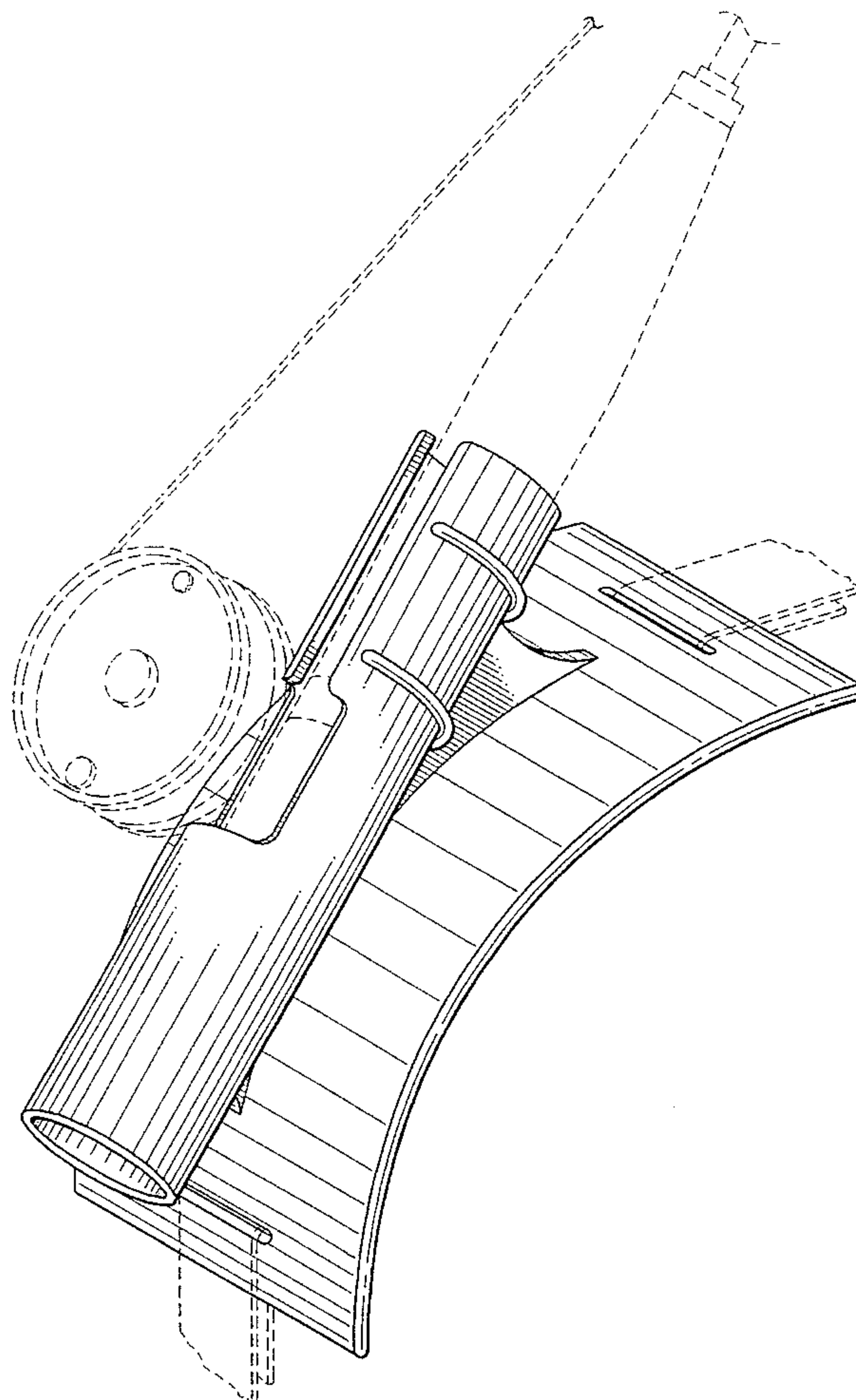
FIG. 5 is a rear elevation view thereof;

FIG. 6 is a left side elevation view thereof; and,

FIG. 7 is bottom plan view thereof.

The phantom line disclosure in FIG. 1 of a portion of a fly rod inserted into the fly rod holder and of a portion of hold-down straps is for illustration purposes only and forms no part of the invention.

1 Claim, 4 Drawing Sheets



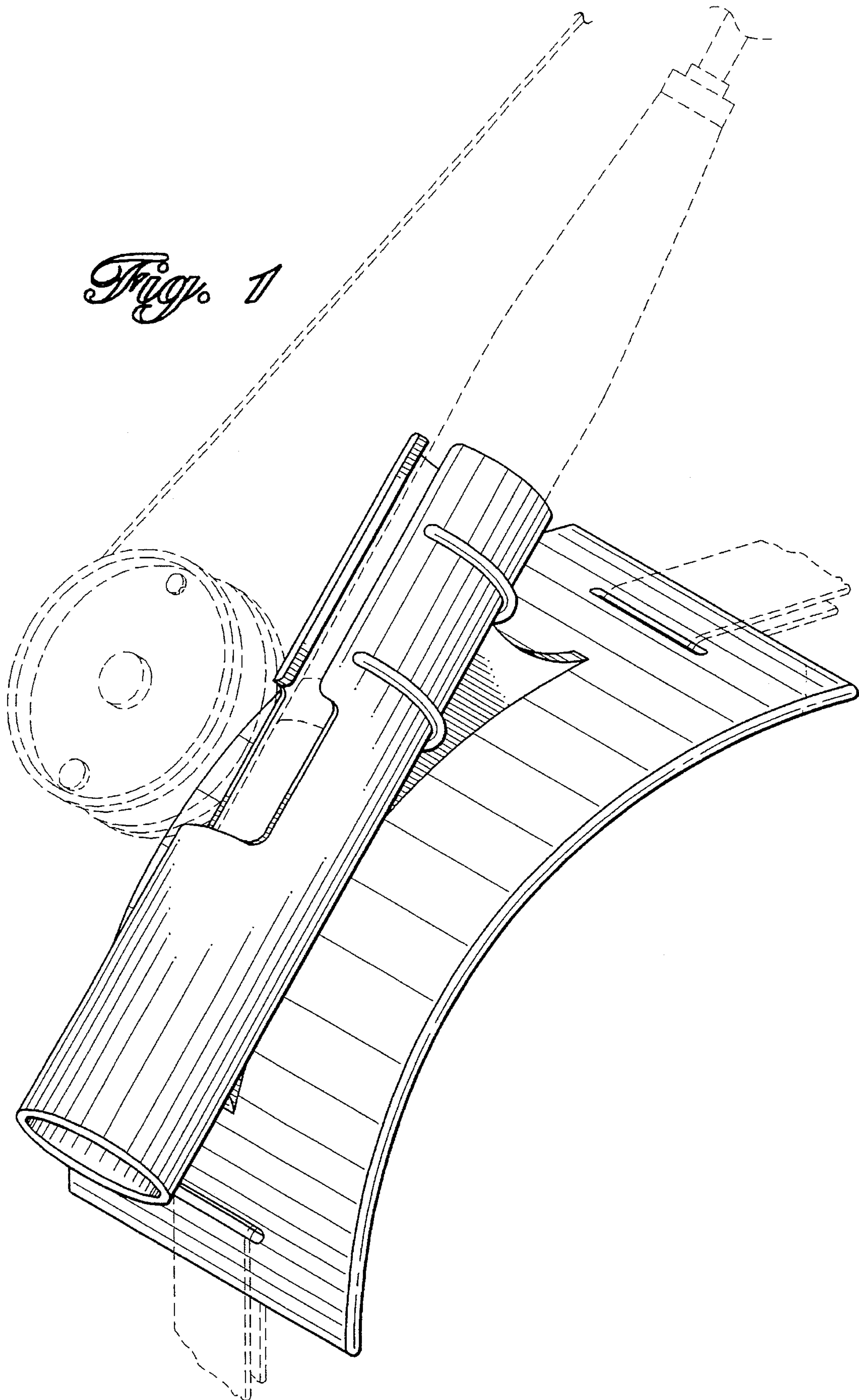


Fig. 1

Fig. 2

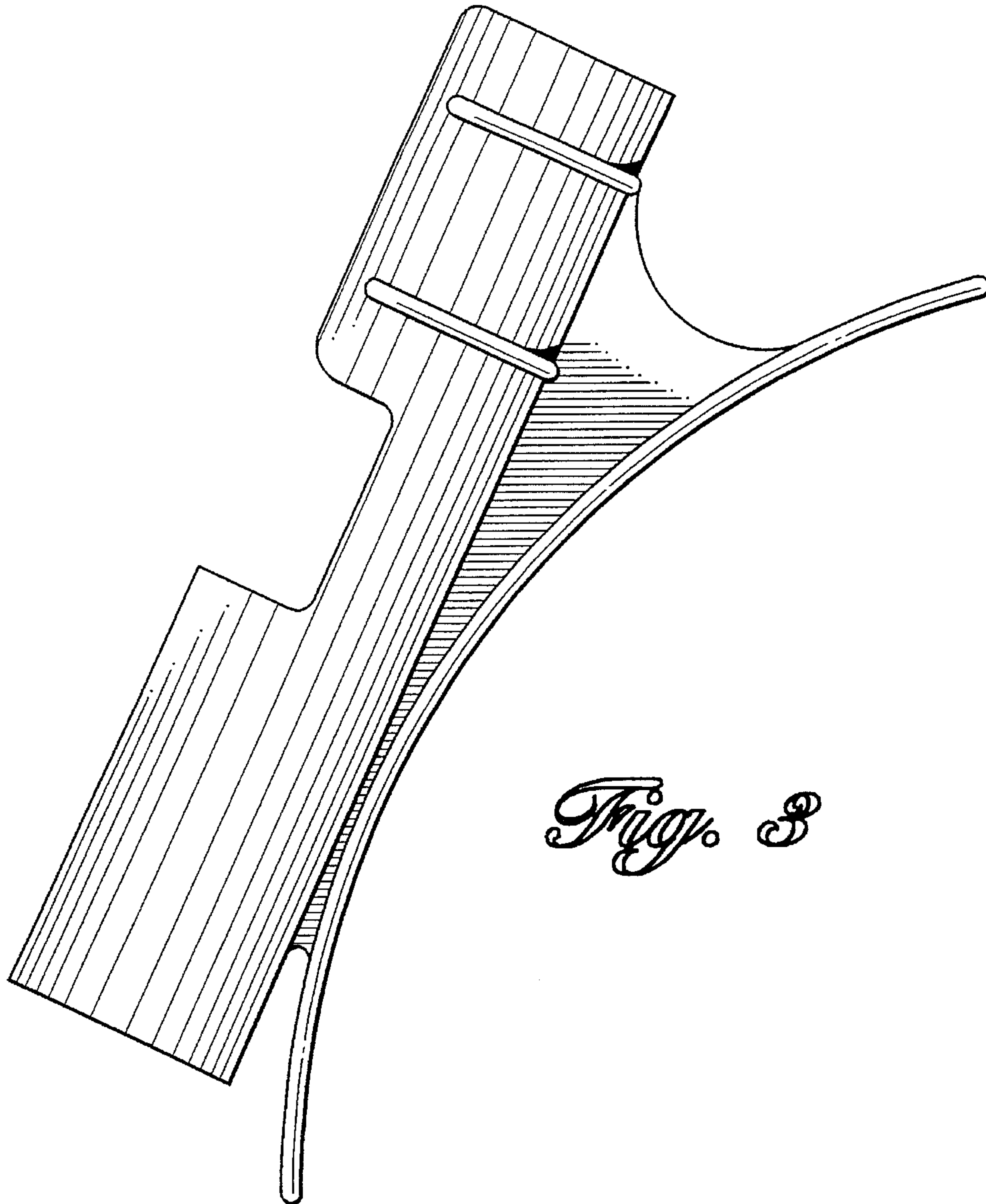
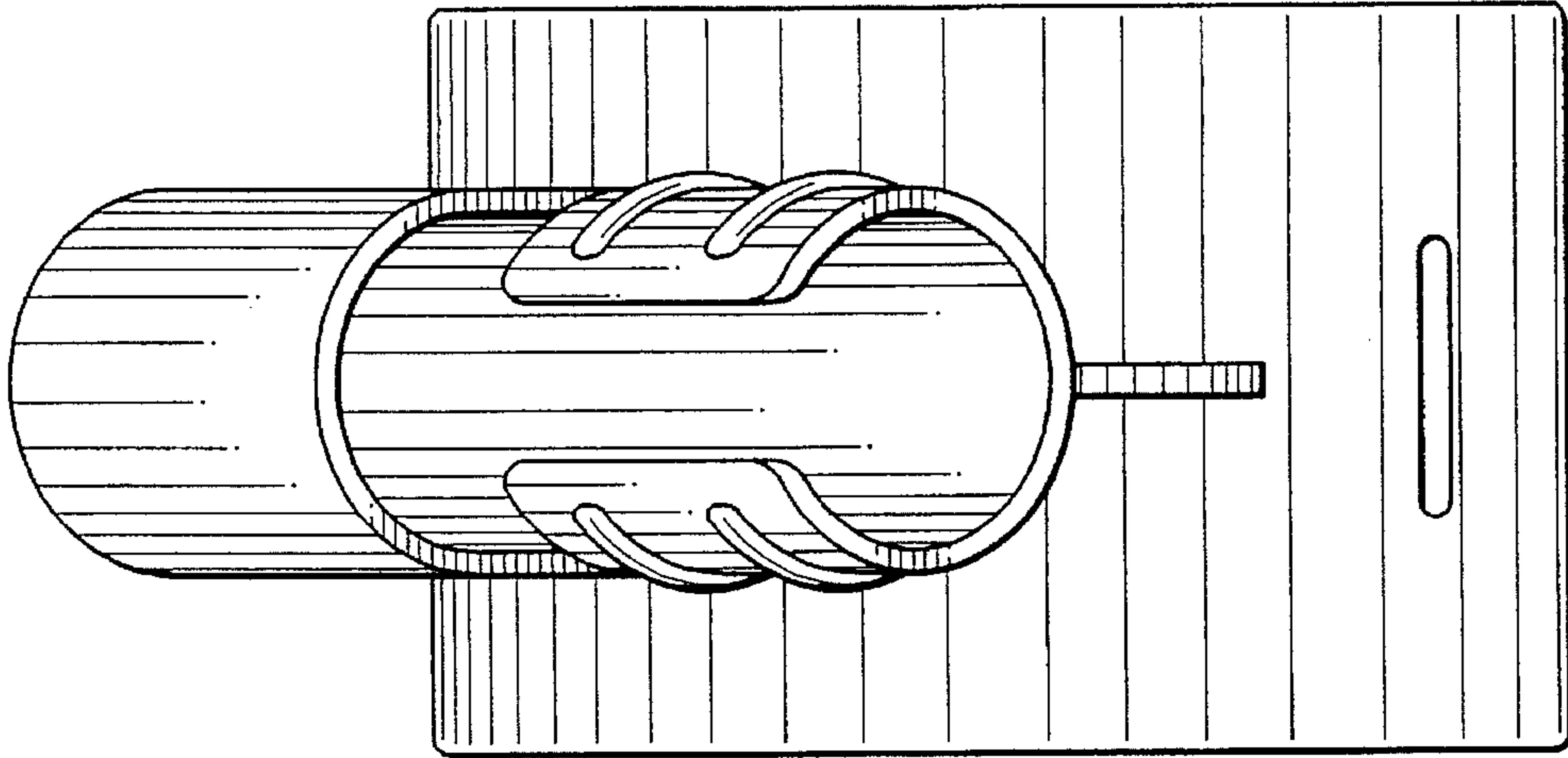


Fig. 3

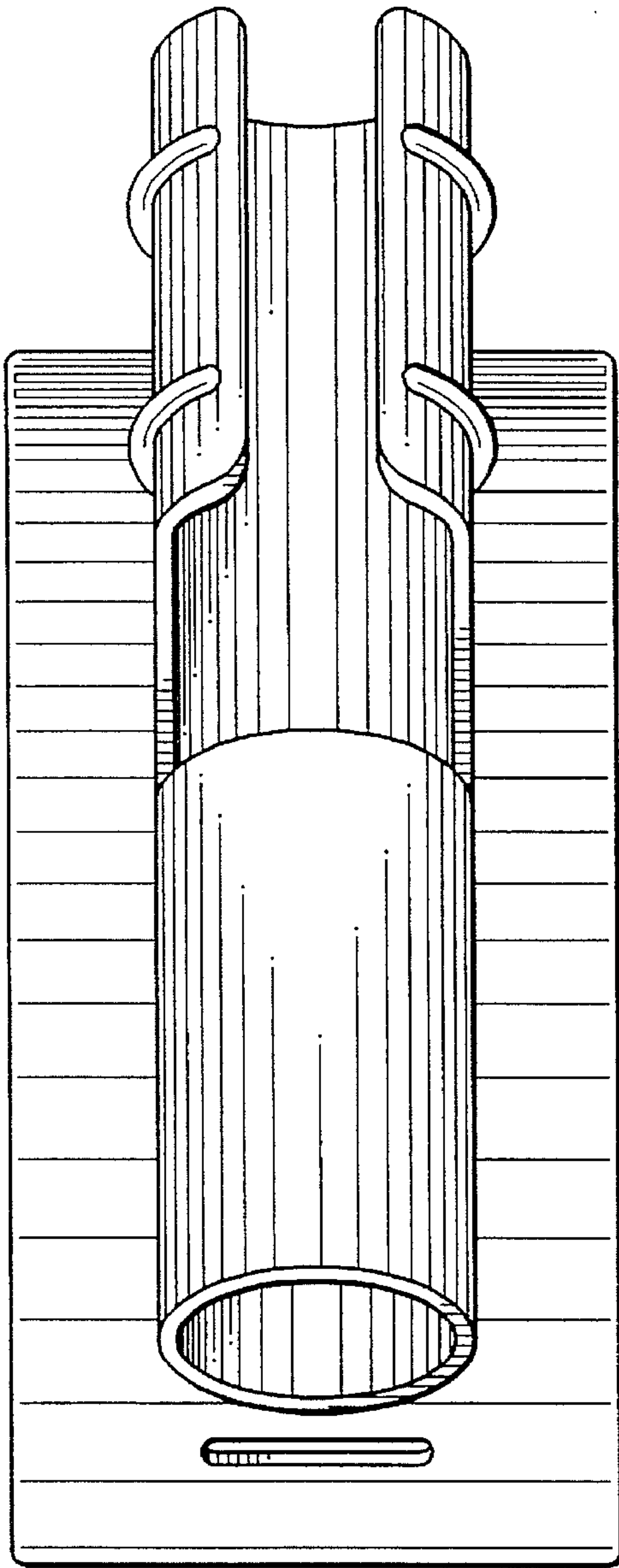


Fig. 4

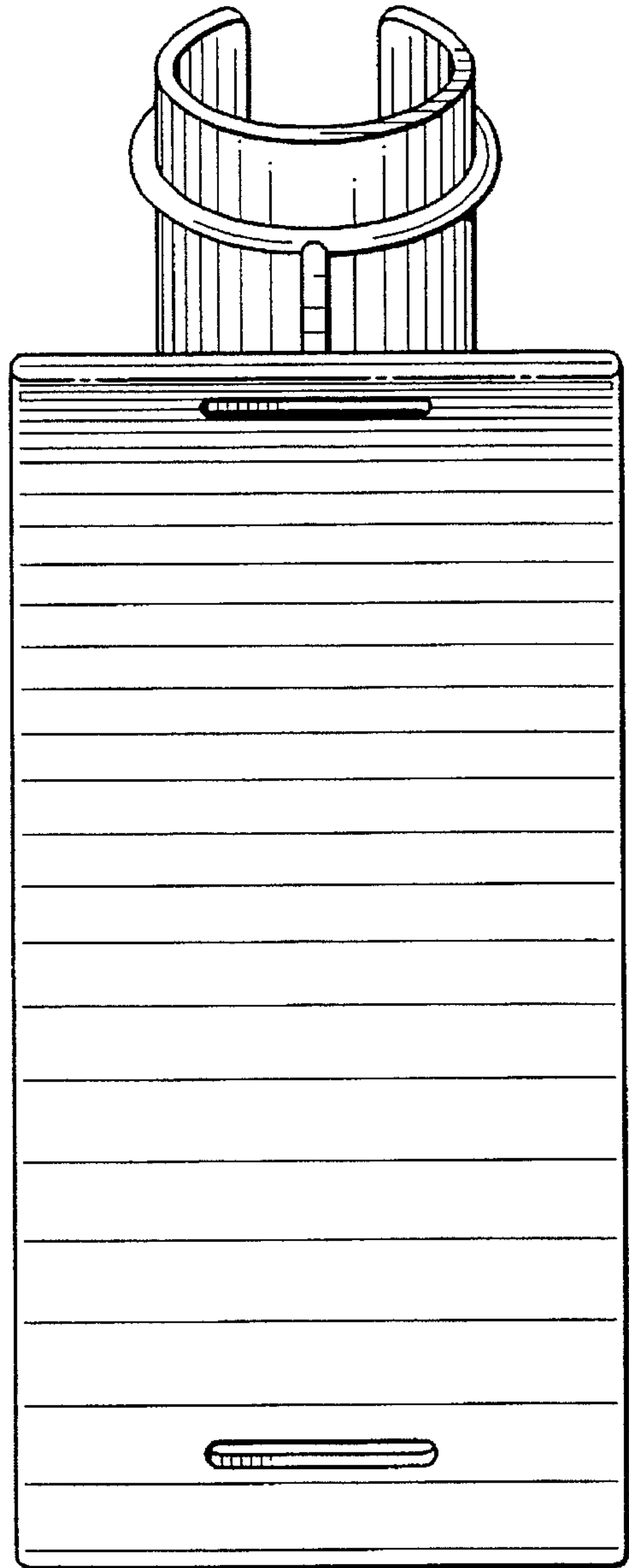


Fig. 5

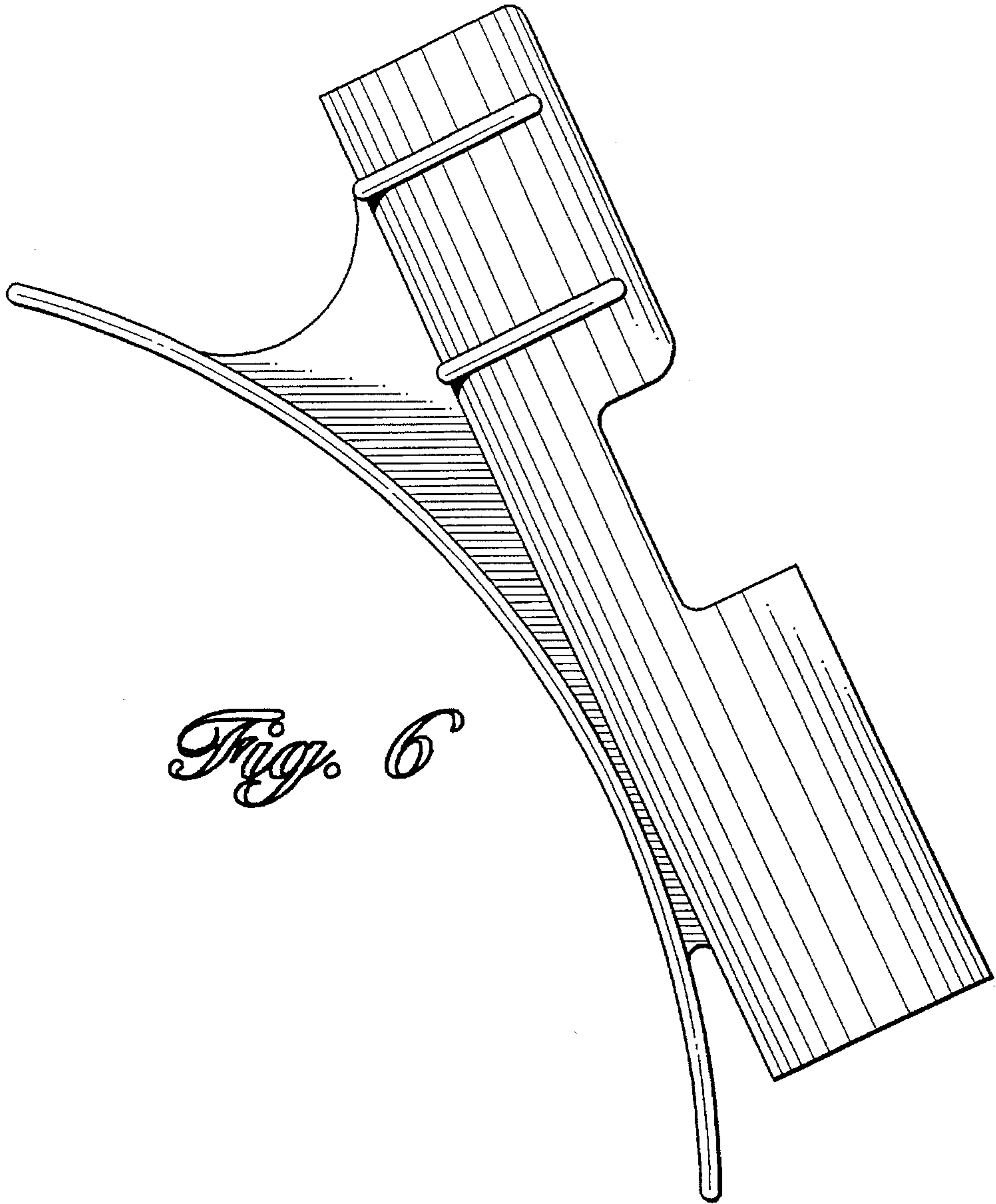


Fig. 6

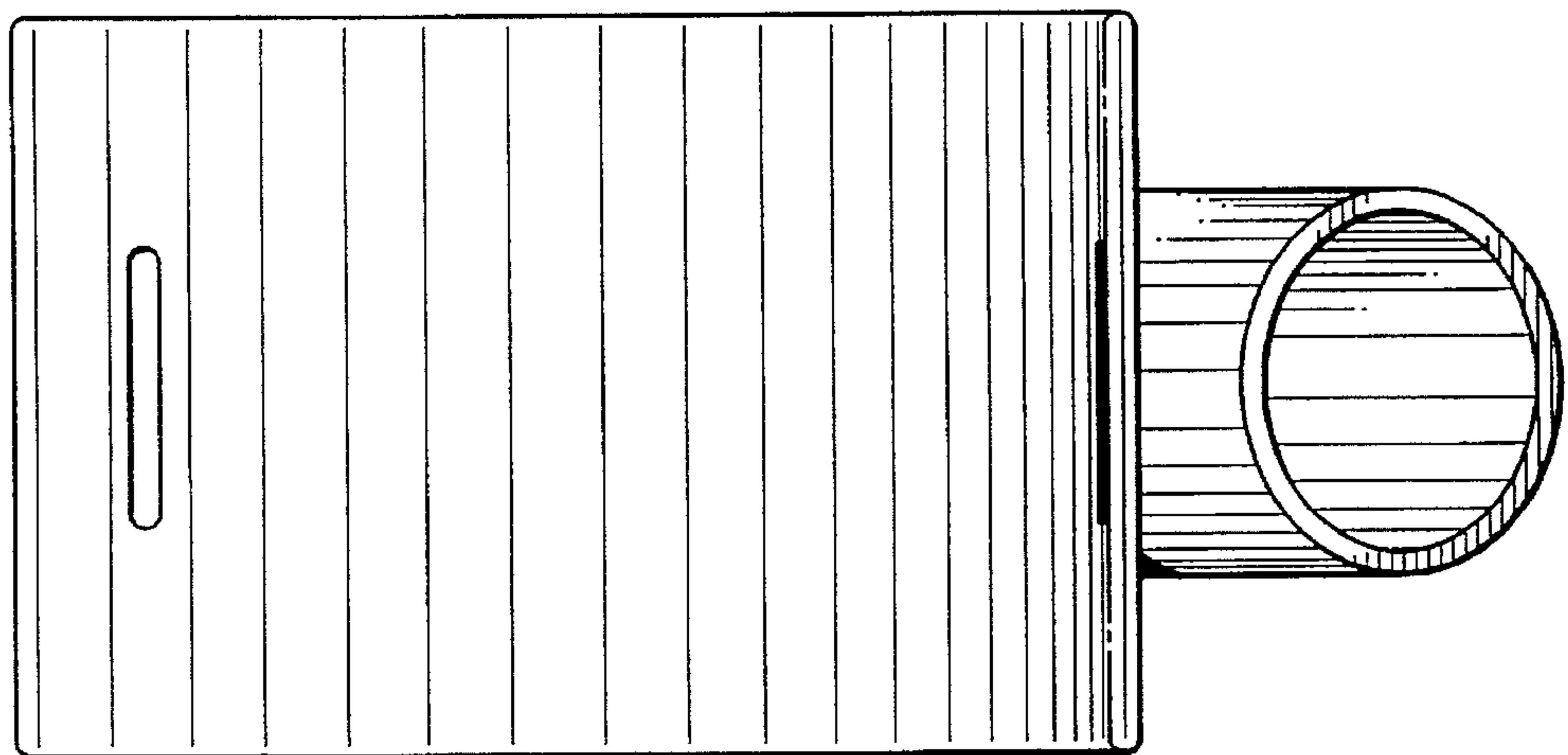


Fig. 7