



US00D378394S

United States Patent [19]

King

[11] Patent Number: **Des. 378,394**

[45] Date of Patent: ****Mar. 11, 1997**

[54] **COMPONENT OF PLAYGROUND SLIDE**

[75] Inventor: **Steven G. King**, Long Lake, Minn.

[73] Assignee: **Landscape Structures Inc.**, Delano, Minn.

[**] Term: **14 Years**

[21] Appl. No.: **40,214**

[22] Filed: **Jun. 13, 1995**

4,211,400	7/1980	Ray	472/116
4,299,171	11/1981	Larson	472/117 X
5,213,547	5/1993	Lochtefeld	472/117

Primary Examiner—Ted Shooman
Assistant Examiner—Mitchell I. Siegel
Attorney, Agent, or Firm—Merchant, Gould, Smith, Edell, Welter & Schmidt, P.A.

[57] CLAIM

The ornamental design for a component of playground slide, as shown and described.

Related U.S. Application Data

[62] Division of Ser. No. 23,883, Jun. 2, 1994, Pat. No. Des. 371,414.

[52] U.S. Cl. **D21/244**

[58] Field of Search D21/240-244;
472/116, 117; 482/35, 36

DESCRIPTION

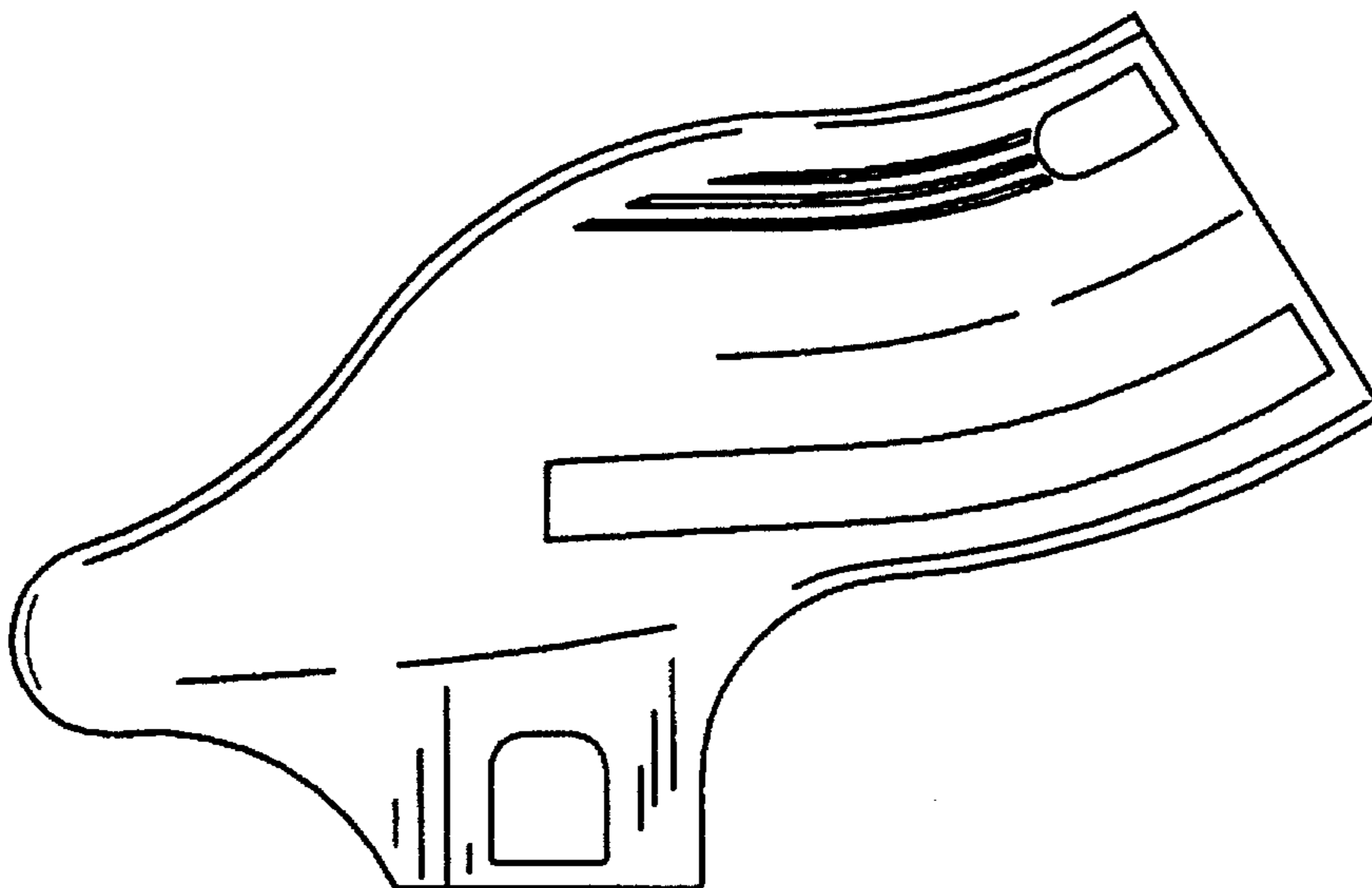
FIG. 1 is a top plan view of the ornamental design for a component of a playground slide;
 FIG. 2 is a bottom plan view of the playground slide component;
 FIG. 3 is a front elevational view of the playground slide component;
 FIG. 4 is a rear elevational view of the playground slide component; and,
 FIG. 5 is a side elevational view of the playground slide component as viewed from the left side thereof, the right side being symmetrically identical.

[56] References Cited

U.S. PATENT DOCUMENTS

D. 269,104	5/1983	Brown	D21/244
D. 330,743	11/1992	Mercer	D21/244
D. 355,692	2/1995	Houry et al.	D21/244
D. 372,065	7/1996	Gilles	D21/244

1 Claim, 2 Drawing Sheets



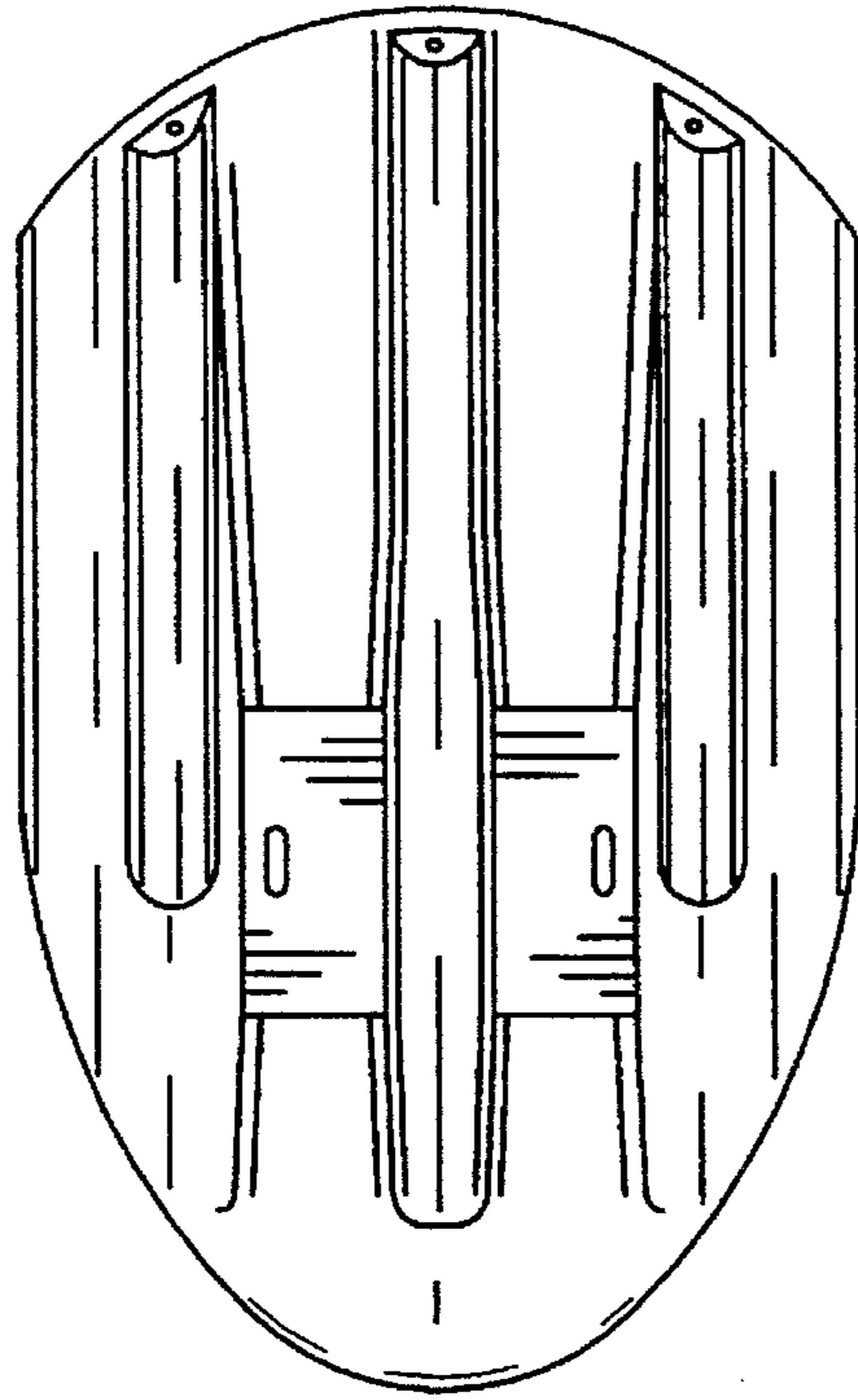


FIG. 2

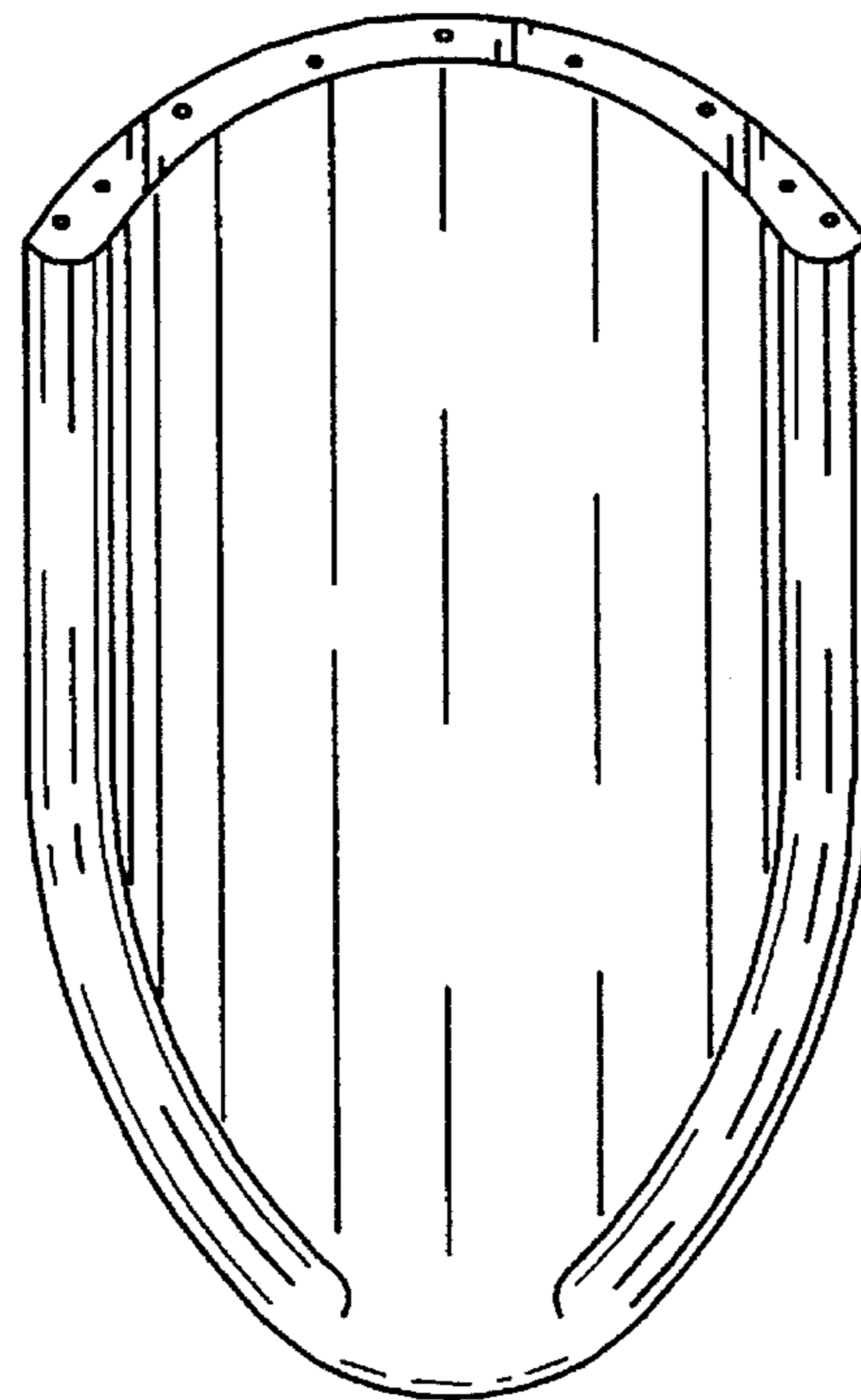


FIG. 1

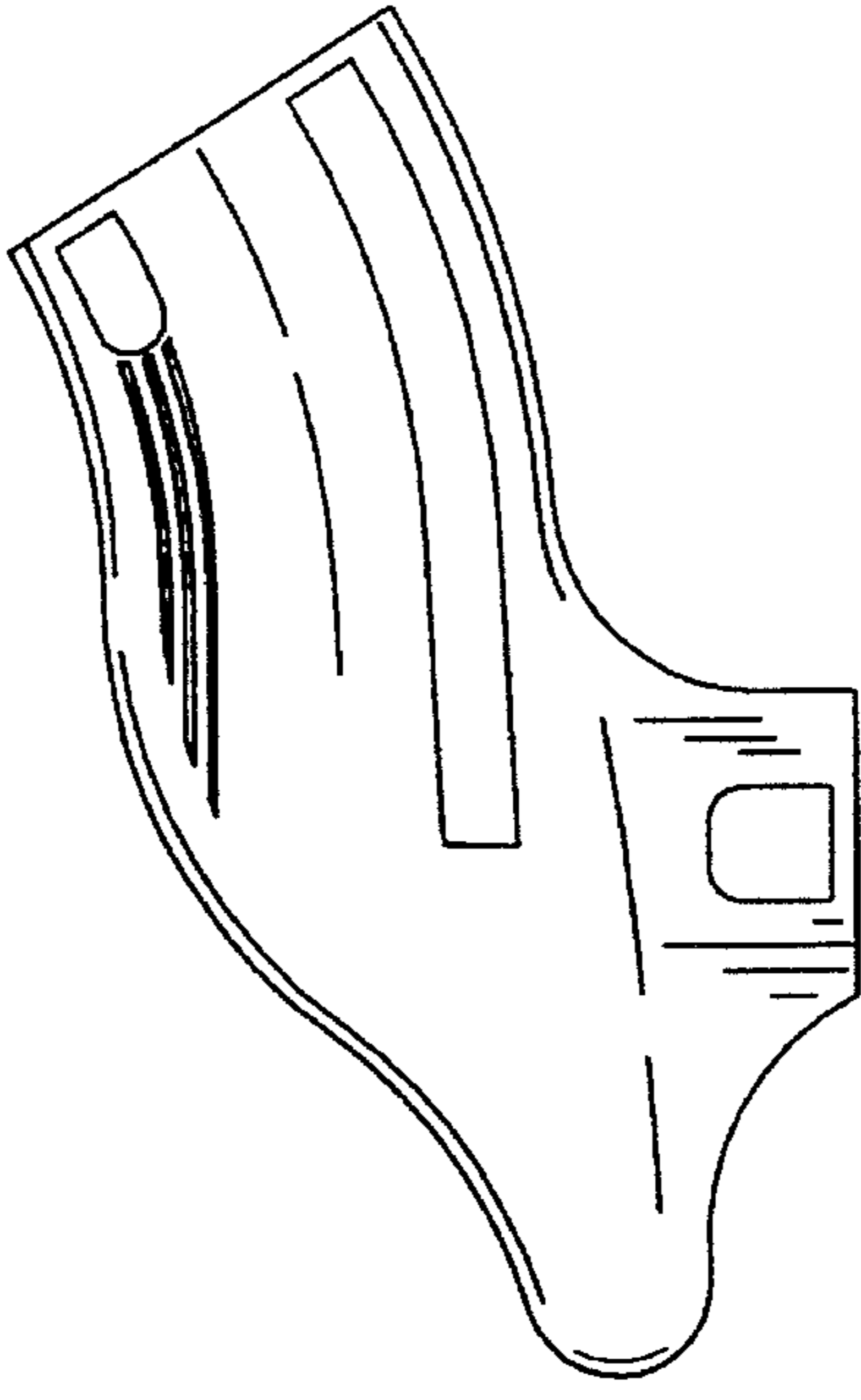


FIG. 5

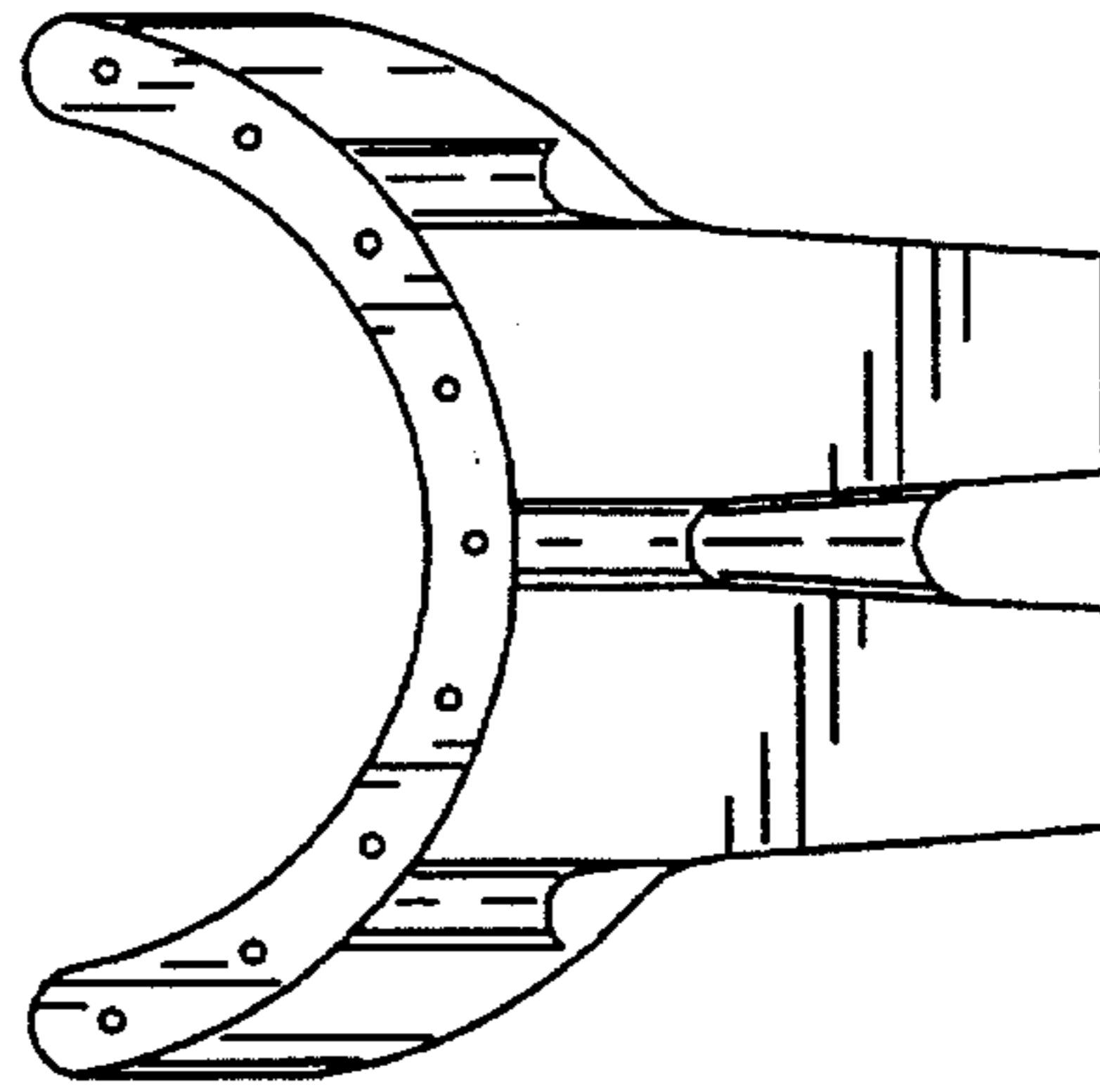


FIG. 4

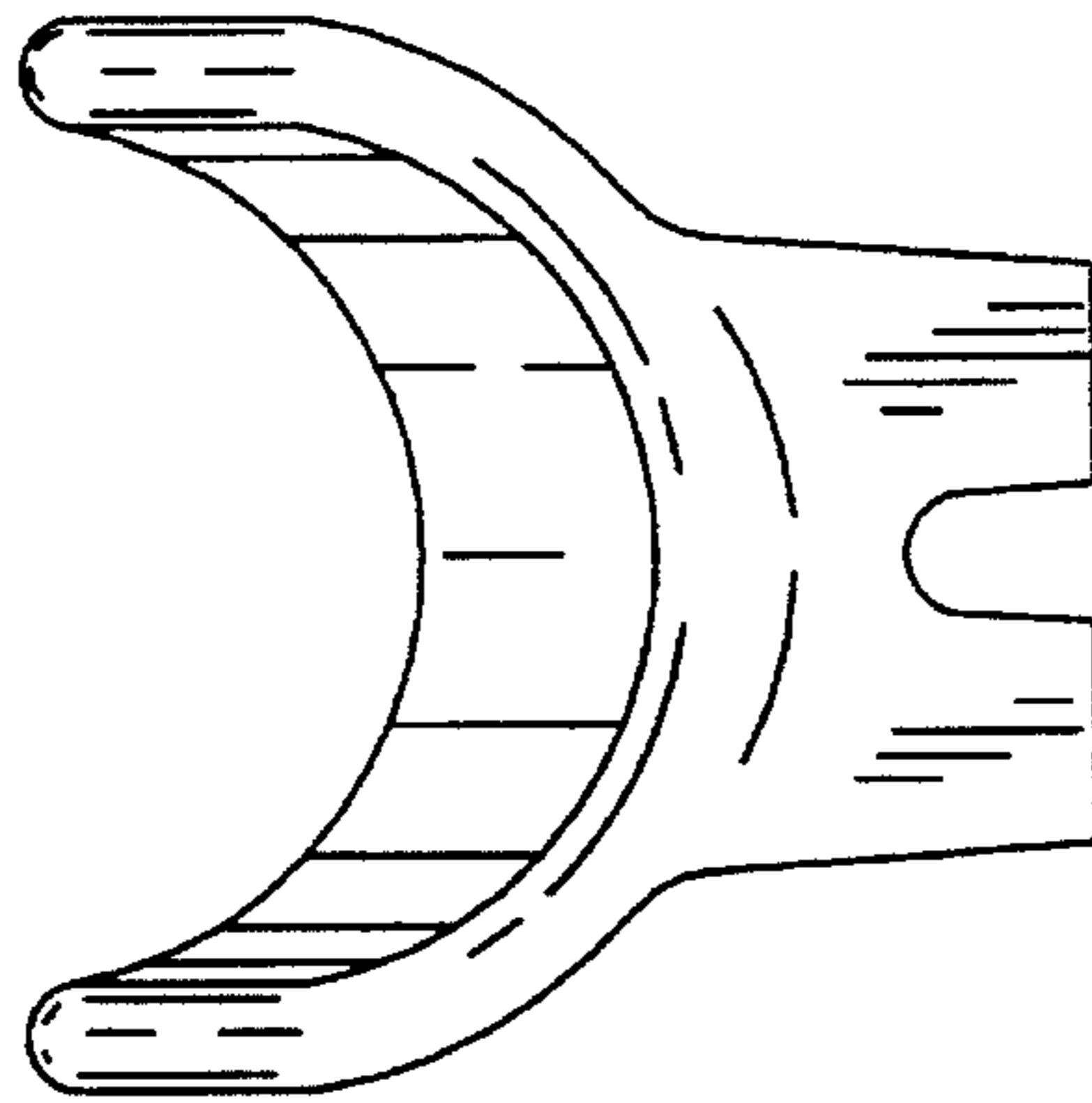


FIG. 3