



US00D378392S

United States Patent [19]

[11] Patent Number: **Des. 378,392**

Shumway

[45] Date of Patent: ****Mar. 11, 1997**

[54] **GOLF CLUB HEAD**

Assistant Examiner—Mitchell I. Siegel
Attorney, Agent, or Firm—Gregory J. Nelson

[76] Inventor: **Roger R. Shumway**, 15073 W.
Fairmount, Goodyear, Ariz. 85338

[57] **CLAIM**

[**] Term: **14 Years**

The ornamental design for a golf club head, as shown and described.

[21] Appl. No.: **48,348**

DESCRIPTION

[22] Filed: **Dec. 26, 1995**

[52] U.S. Cl. **D21/219**

[58] Field of Search D21/217-219;
473/340, 341, 251-256

FIG. 1 is a perspective view of a golf club head showing my new design;

FIG. 2 is a front view thereof;

FIG. 3 is a rear view thereof;

FIG. 4 is a top view thereof;

FIG. 5 is a bottom view thereof; and,

FIG. 6 is a left side view thereof, the undisclosed opposite side being a mirror image.

The broken line showing of a fragmented shaft in FIGS. 2, 3 and 6 is for illustrative purposes only and forms no part of the claimed design.

[56] **References Cited**

U.S. PATENT DOCUMENTS

D. 161,790	1/1951	Sappington	D21/217
D. 163,083	5/1951	Belline et al.	D21/219
D. 291,465	8/1987	Antonious	D21/219
D. 360,444	7/1995	Takahashi et al.	D21/219
D. 369,393	4/1996	Takahashi et al.	D21/217

Primary Examiner—Ted Shooman

1 Claim, 1 Drawing Sheet

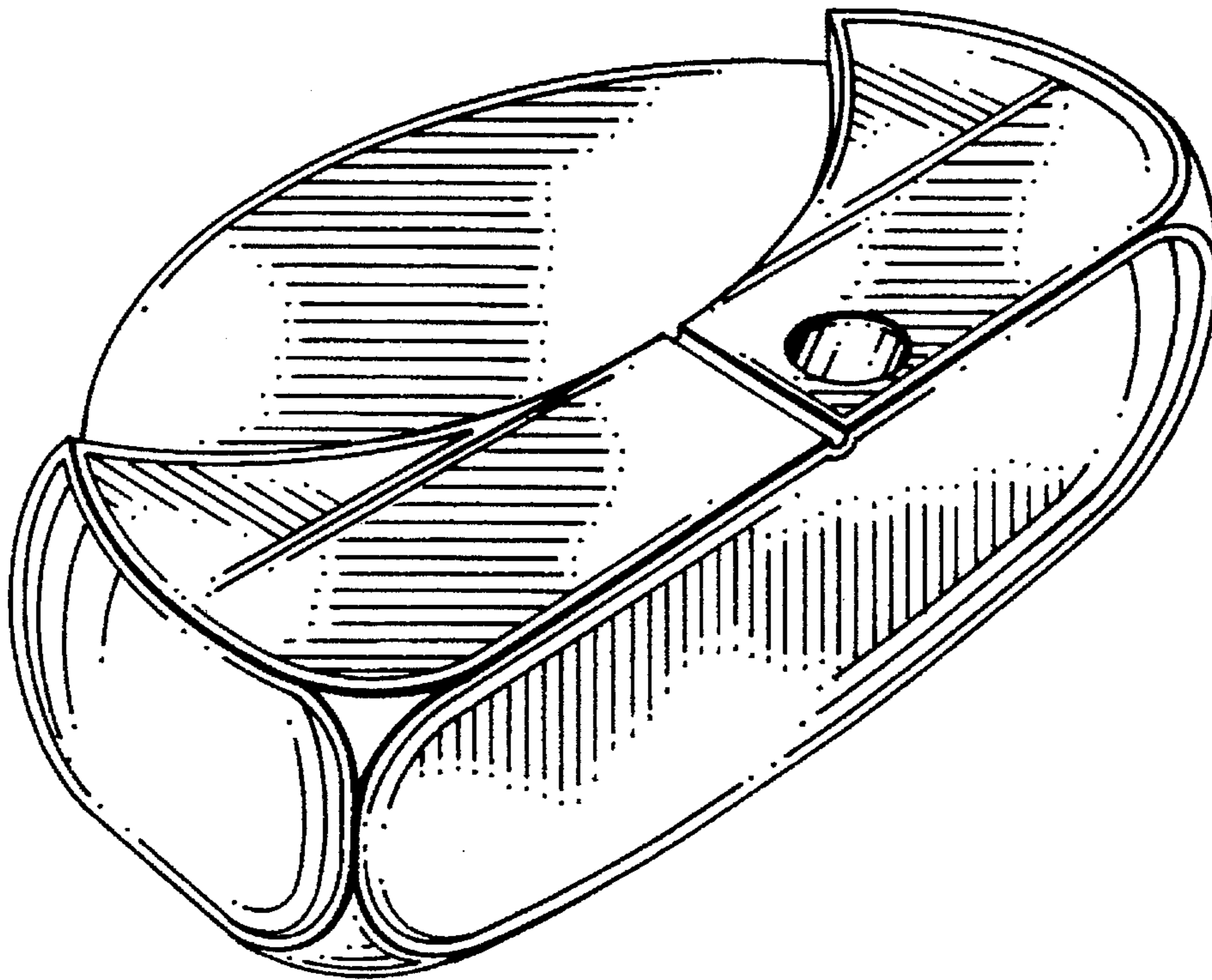


FIG. 1

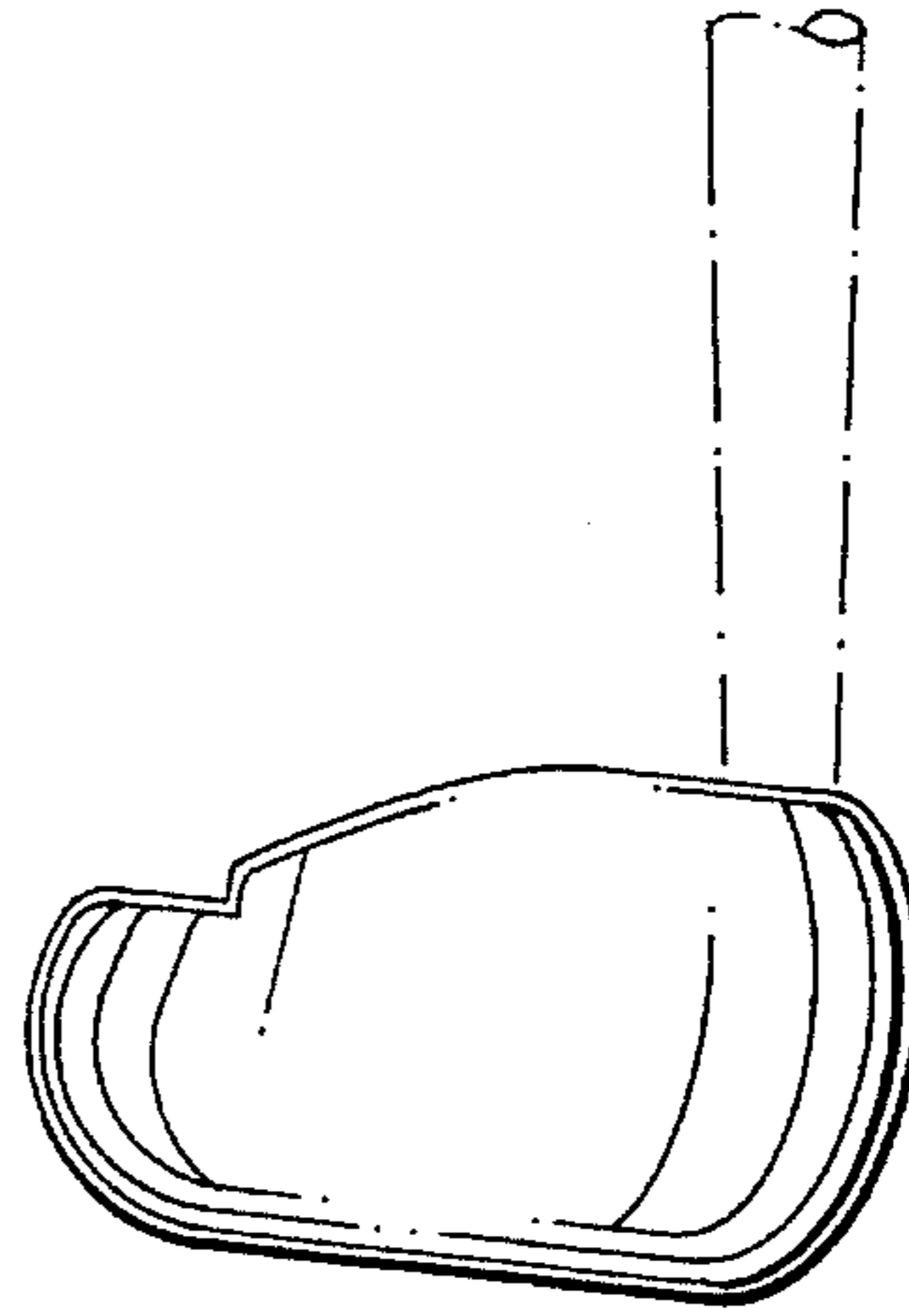
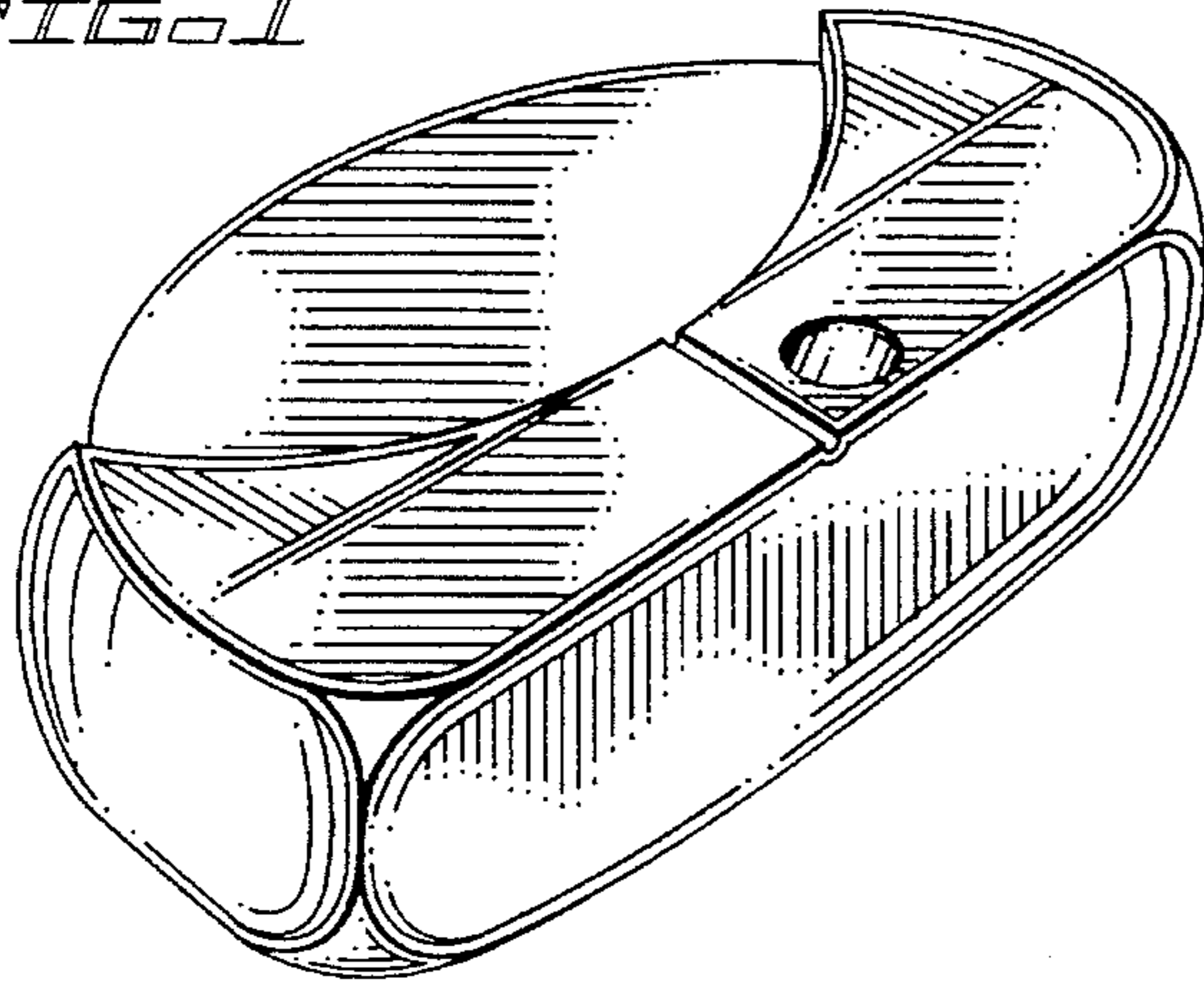


FIG. 6

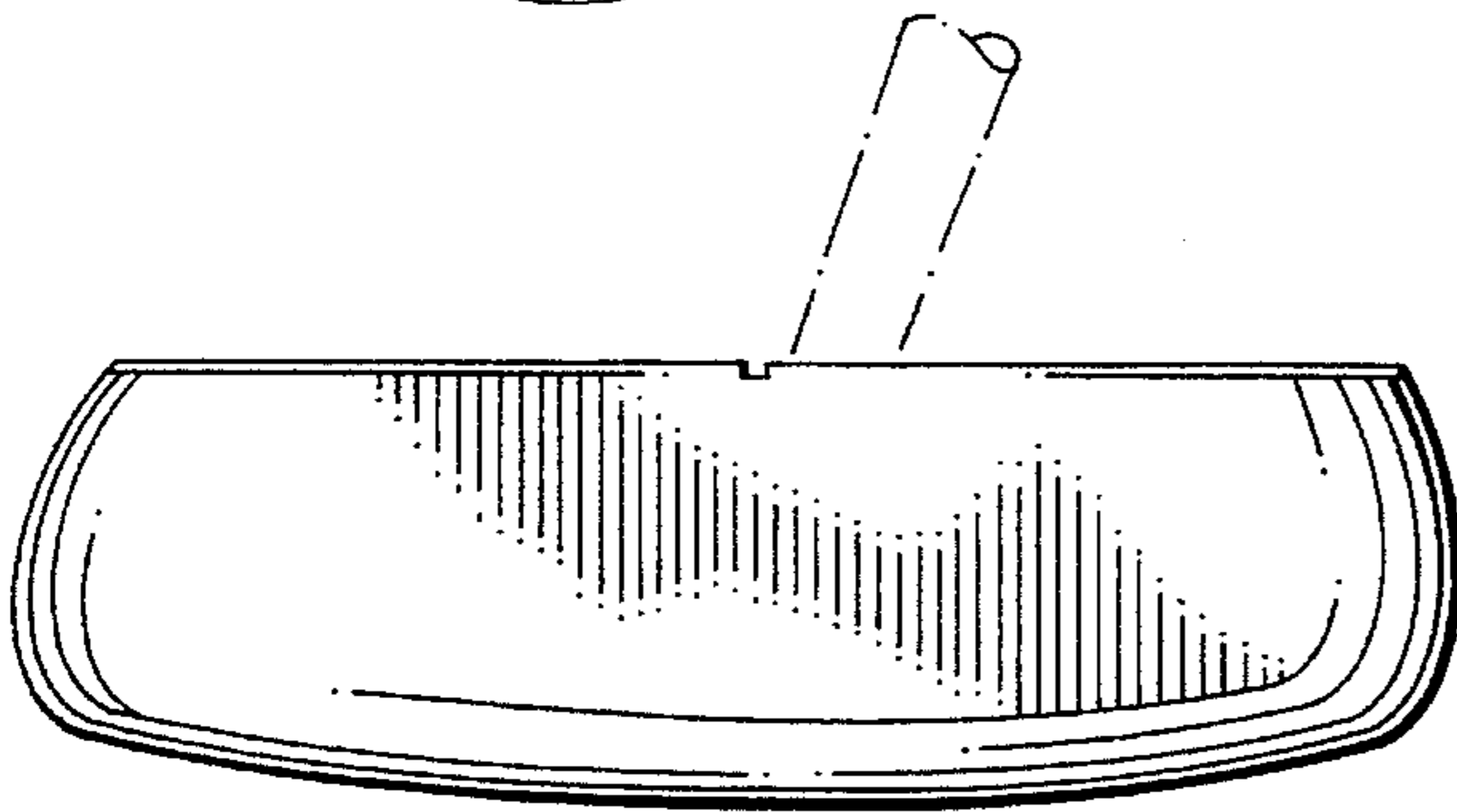


FIG. 2

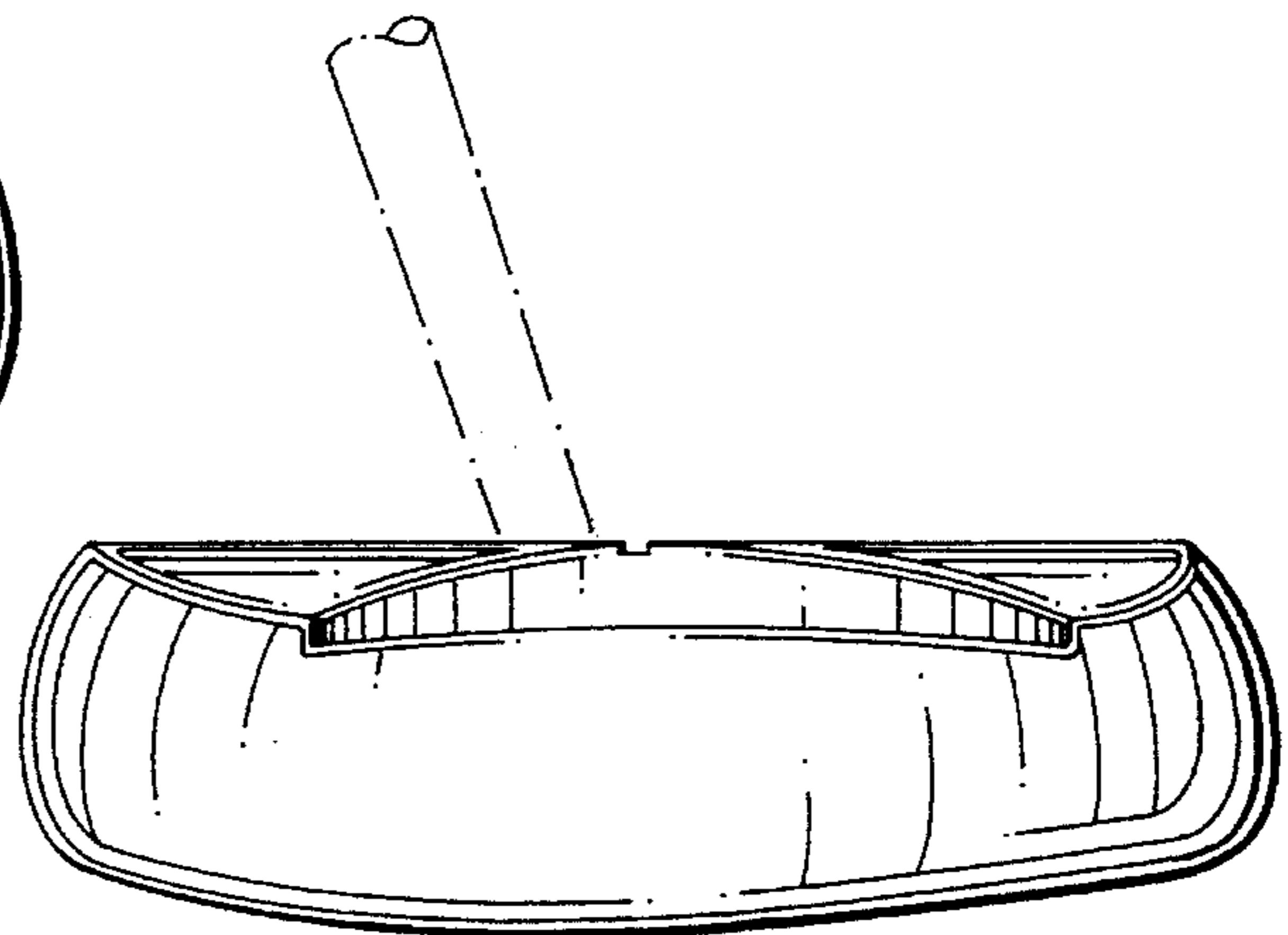


FIG. 3

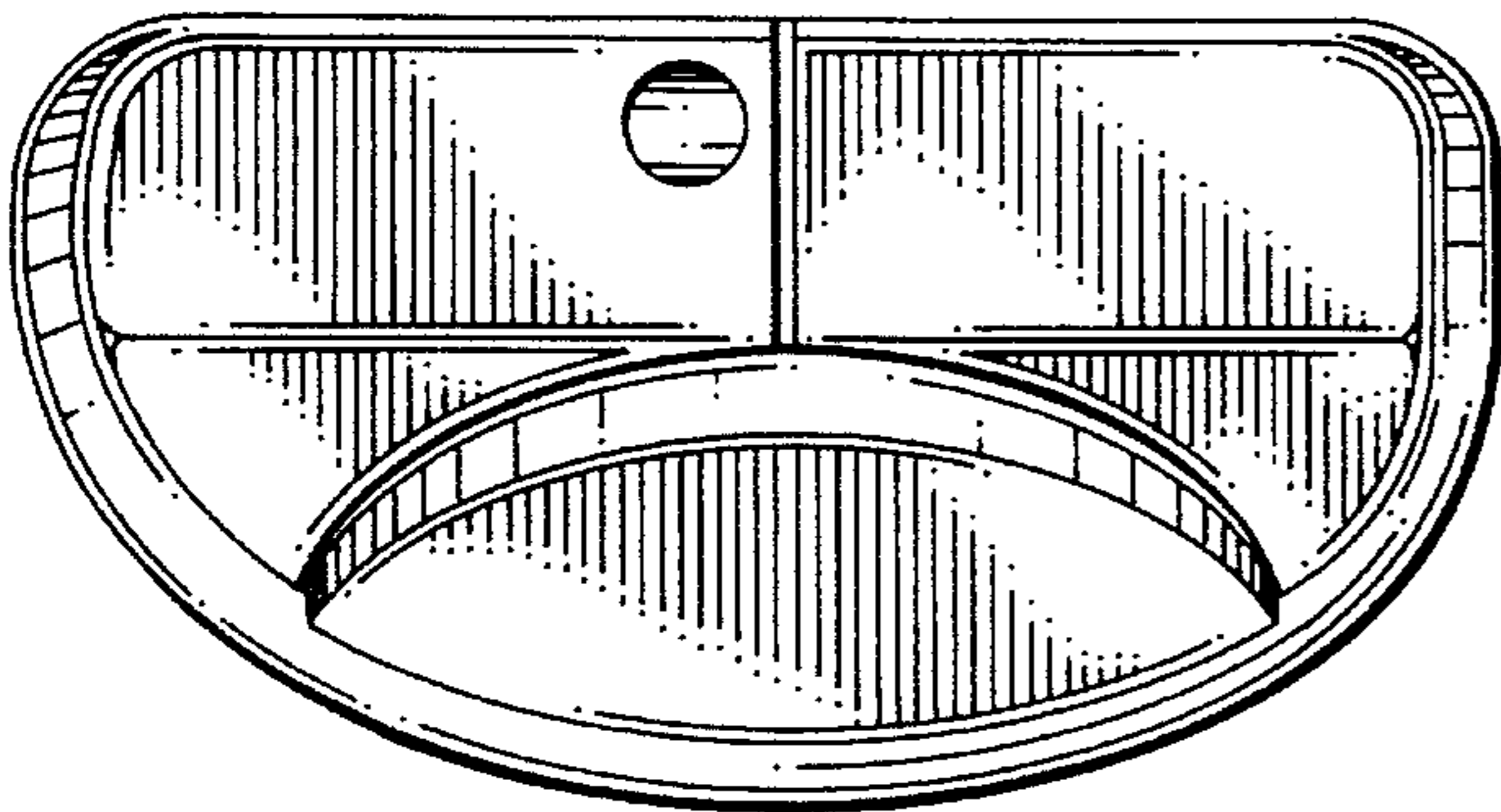


FIG. 4

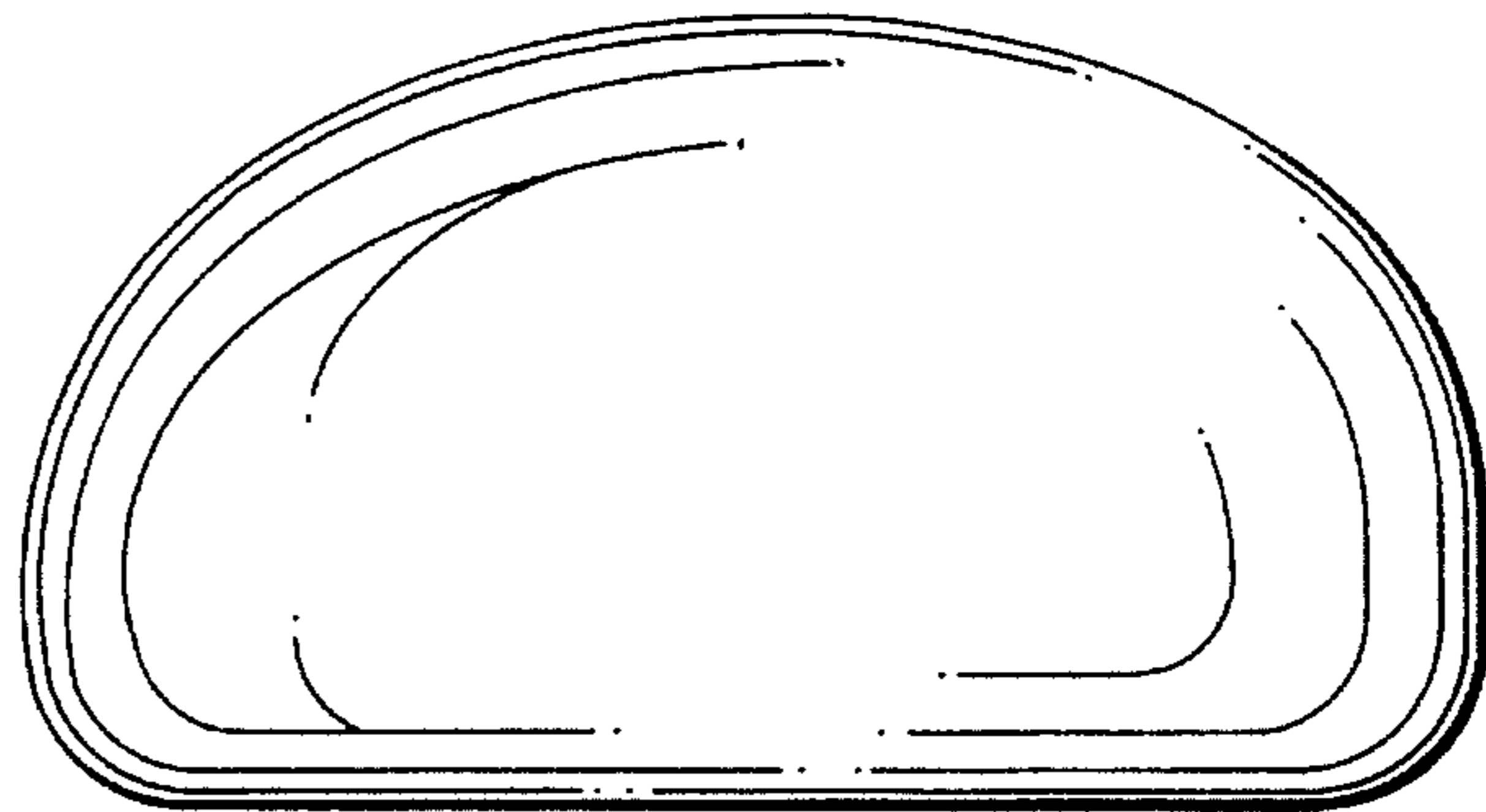


FIG. 5