



US00D378391S

United States Patent [19]

[11] Patent Number: **Des. 378,391**

Giebel

[45] Date of Patent: ****Mar. 11, 1997**

[54] **GOLF CLUB PUTTER HEAD**

[75] Inventor: **Charles Giebel**, Avondale, Ariz.

[73] Assignee: **Noble Golf Company**

[**] Term: **14 Years**

[21] Appl. No.: **48,055**

[22] Filed: **Dec. 19, 1995**

[52] U.S. Cl. **D21/218**

[58] Field of Search D21/217-219;
473/340, 341, 251, 256

[56] **References Cited**

U.S. PATENT DOCUMENTS

D. 197,471	2/1964	Handelan	D21/219
D. 230,750	3/1974	Ehrich	D21/217
D. 275,217	8/1984	Bernhardt	D21/219
D. 285,232	8/1986	Collins	D21/219

Primary Examiner—Ted Shooman

Assistant Examiner—Mitchell I. Siegel
Attorney, Agent, or Firm—Lucas & Just

[57] **CLAIM**

The ornamental design for a golf club putter head, as shown and described.

DESCRIPTION

FIG. 1 is a front view of my golf club putter head design. The back view of the putter head is a mirror image of the front view;

FIG. 2 is a top view of my golf club putter head design;

FIG. 3 is a left-side view of my golf club putter head design;

FIG. 4 is a right-side view of my golf club putter head design;

FIG. 5 is a bottom view of my golf club putter head design;

and,

FIG. 6 is a perspective view of my golf club putter head design.

1 Claim, 3 Drawing Sheets

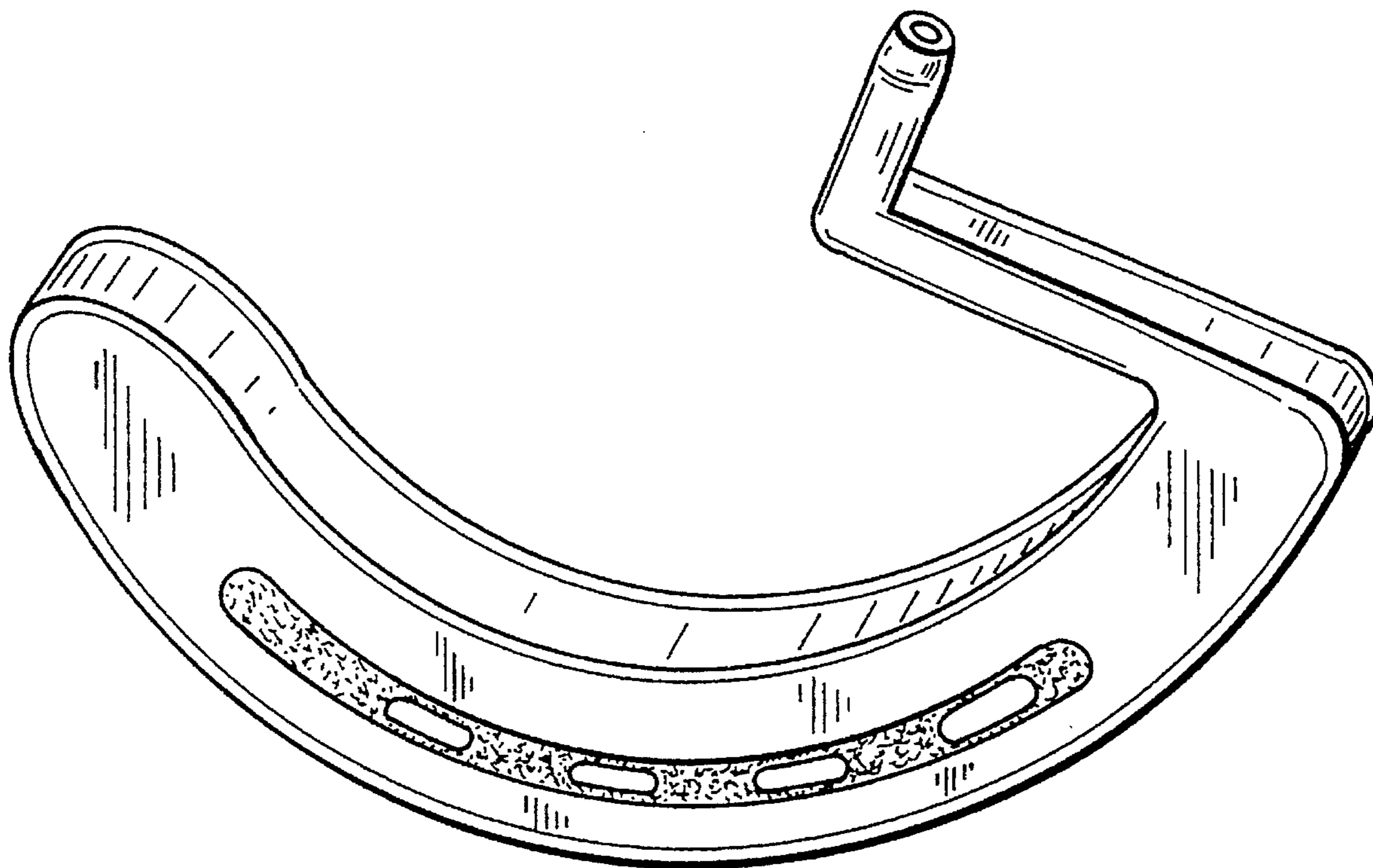


FIG. 1

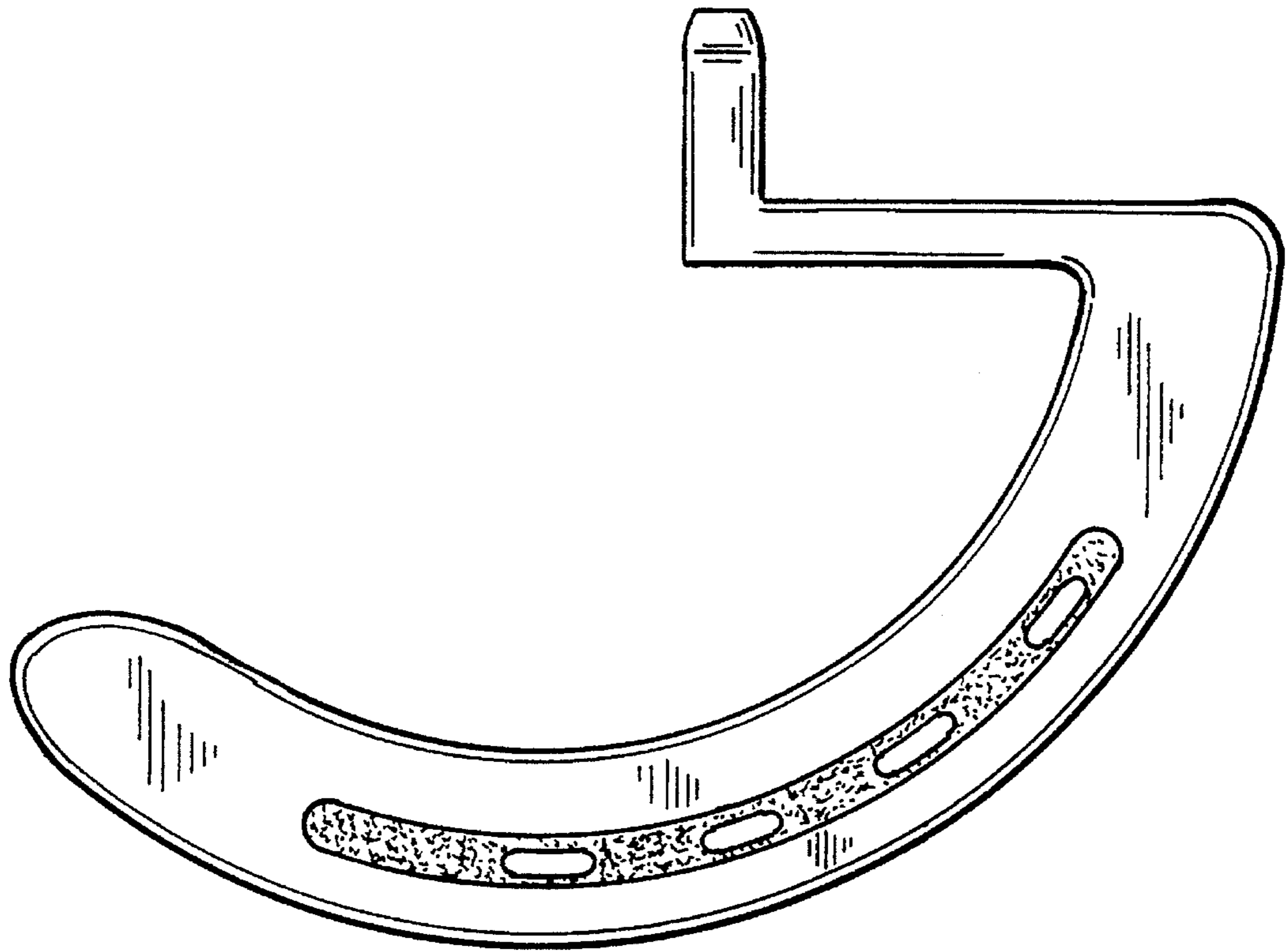


FIG. 2

FIG. 3

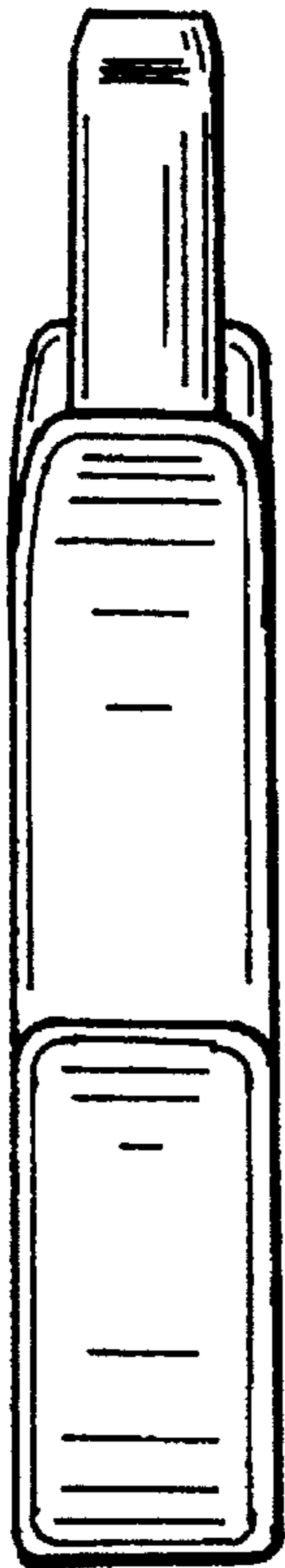


FIG. 4

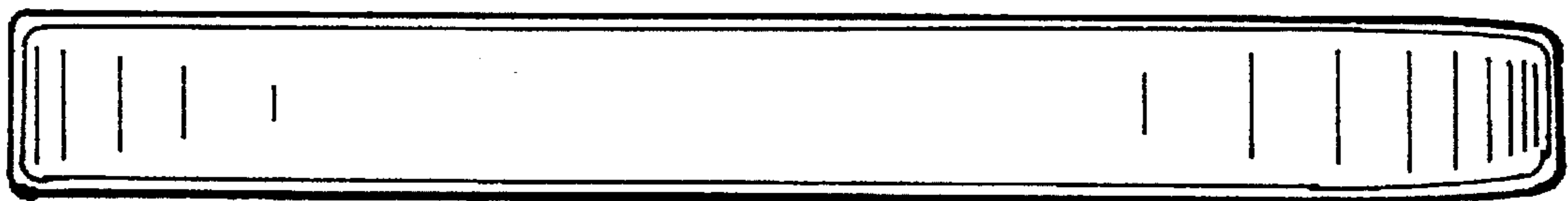
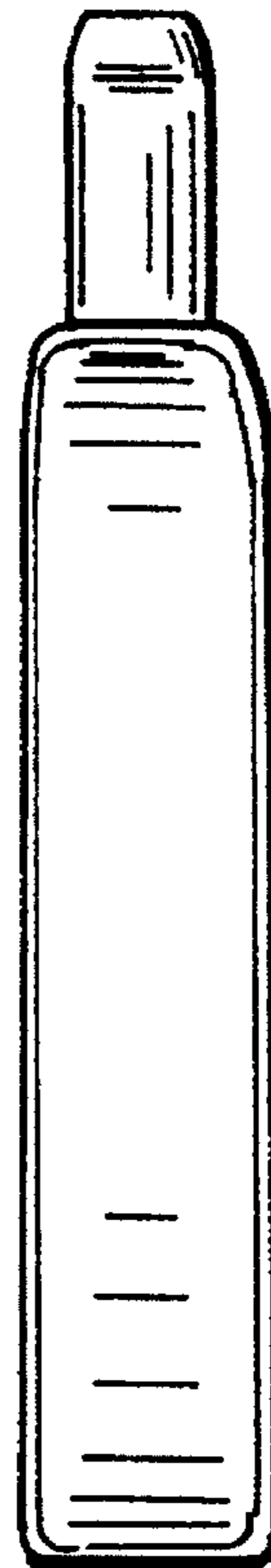


FIG. 5

FIG. 6

