



US00D378390S

United States Patent [19]

Shumway

[11] Patent Number: **Des. 378,390**

[45] Date of Patent: ****Mar. 11, 1997**

[54] **GOLF CLUB HEAD**

[76] Inventor: **Roger R. Shumway**, 15073 W. Fairmount, Goodyear, Ariz. 85338

[**] Term: **14 Years**

[21] Appl. No.: **48,342**

[22] Filed: **Dec. 26, 1995**

[52] U.S. Cl. **D21/217**

[58] Field of Search D21/217-219; 473/340, 341, 251-256

[56] **References Cited**

U.S. PATENT DOCUMENTS

D. 272,460	1/1984	MacDougall	D21/217
D. 281,522	11/1985	Ehrlich	D21/219
D. 320,252	9/1991	Tesori	D21/219
D. 350,998	9/1994	Wooten	D21/217
D. 362,882	10/1995	Shenoha et al.	D21/217
D. 368,126	3/1996	Magerman et al.	D21/219
5,354,060	10/1994	Wooten	473/252 X

Primary Examiner—Ted Shooman
Assistant Examiner—Mitchell I. Siegel
Attorney, Agent, or Firm—Gregory J. Nelson

[57] **CLAIM**

The ornamental design for a golf club head, as shown and described.

DESCRIPTION

FIG. 1 is a perspective view of a golf club head showing my new design;
FIG. 2 is a front view thereof;
FIG. 3 is a rear view thereof;
FIG. 4 is a top view thereof;
FIG. 5 is a bottom view thereof; and,
FIG. 6 is a left side view thereof, the undisclosed opposite side being a mirror image.
The broken line showing of a fragmented shaft in FIGS. 2, 3 and 6 is for illustrative purposes only and forms no part of the claimed design.

1 Claim, 1 Drawing Sheet

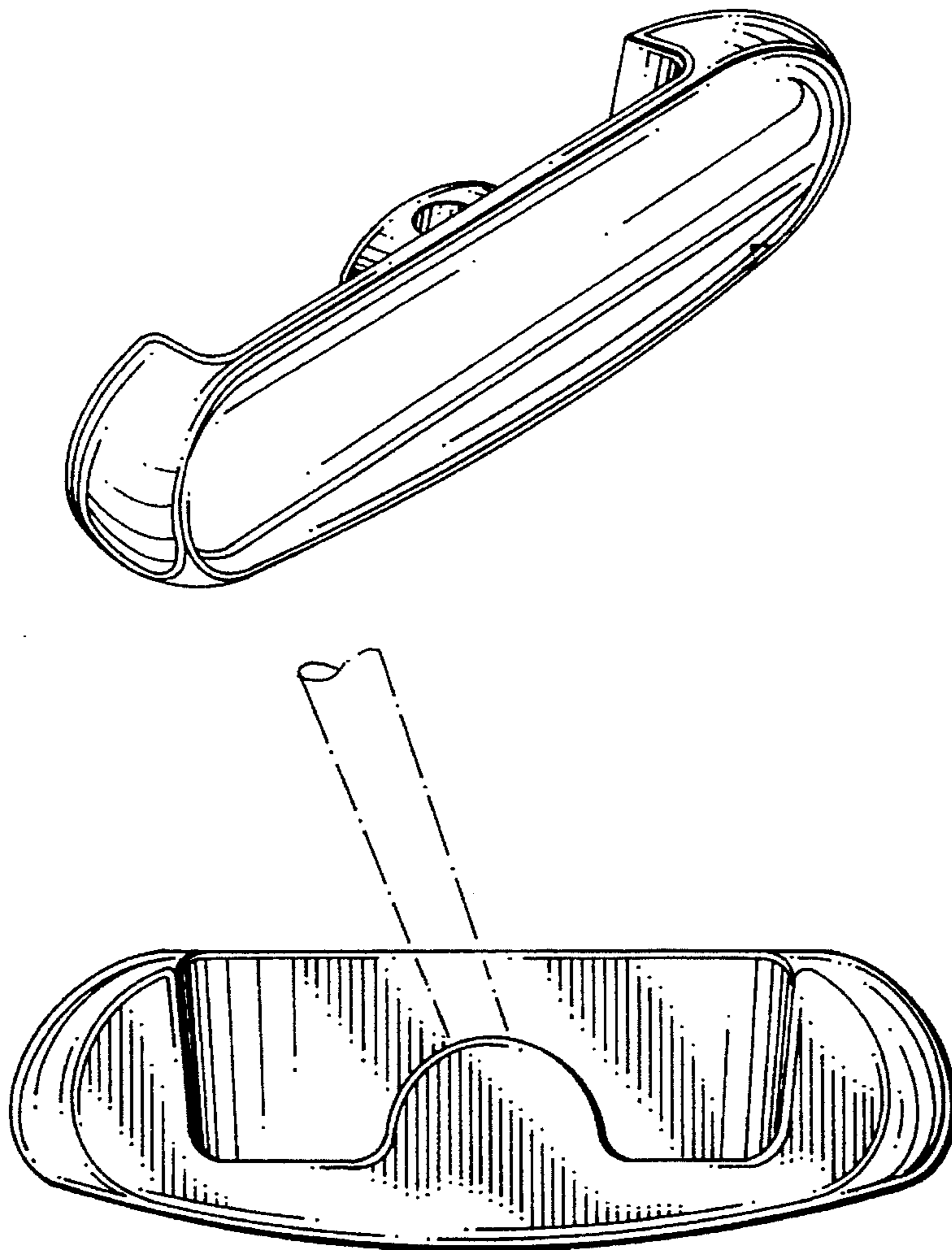


FIG. 1

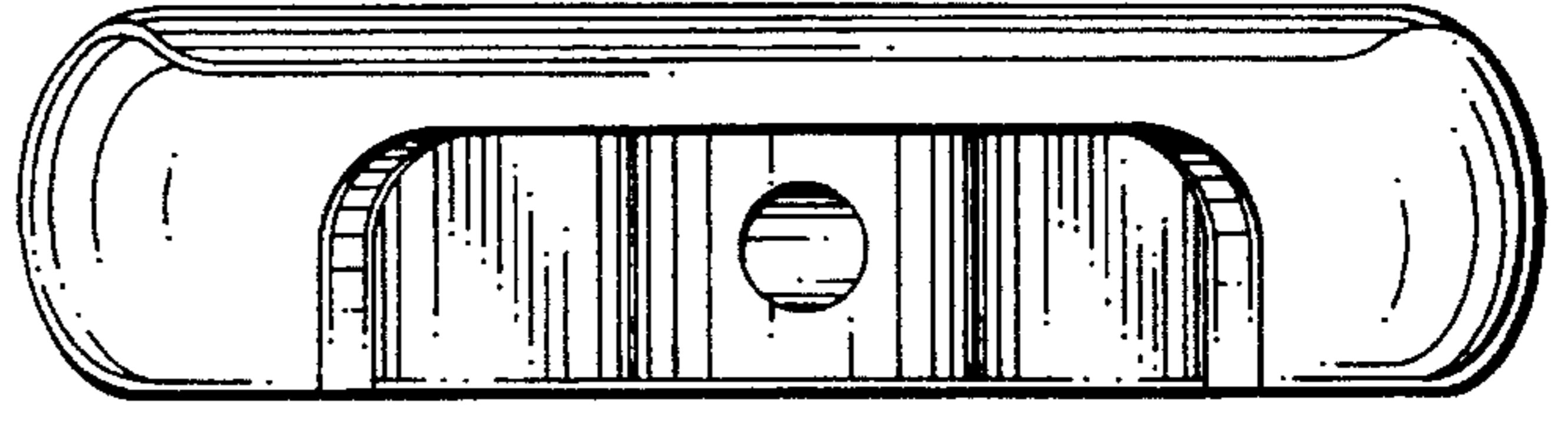
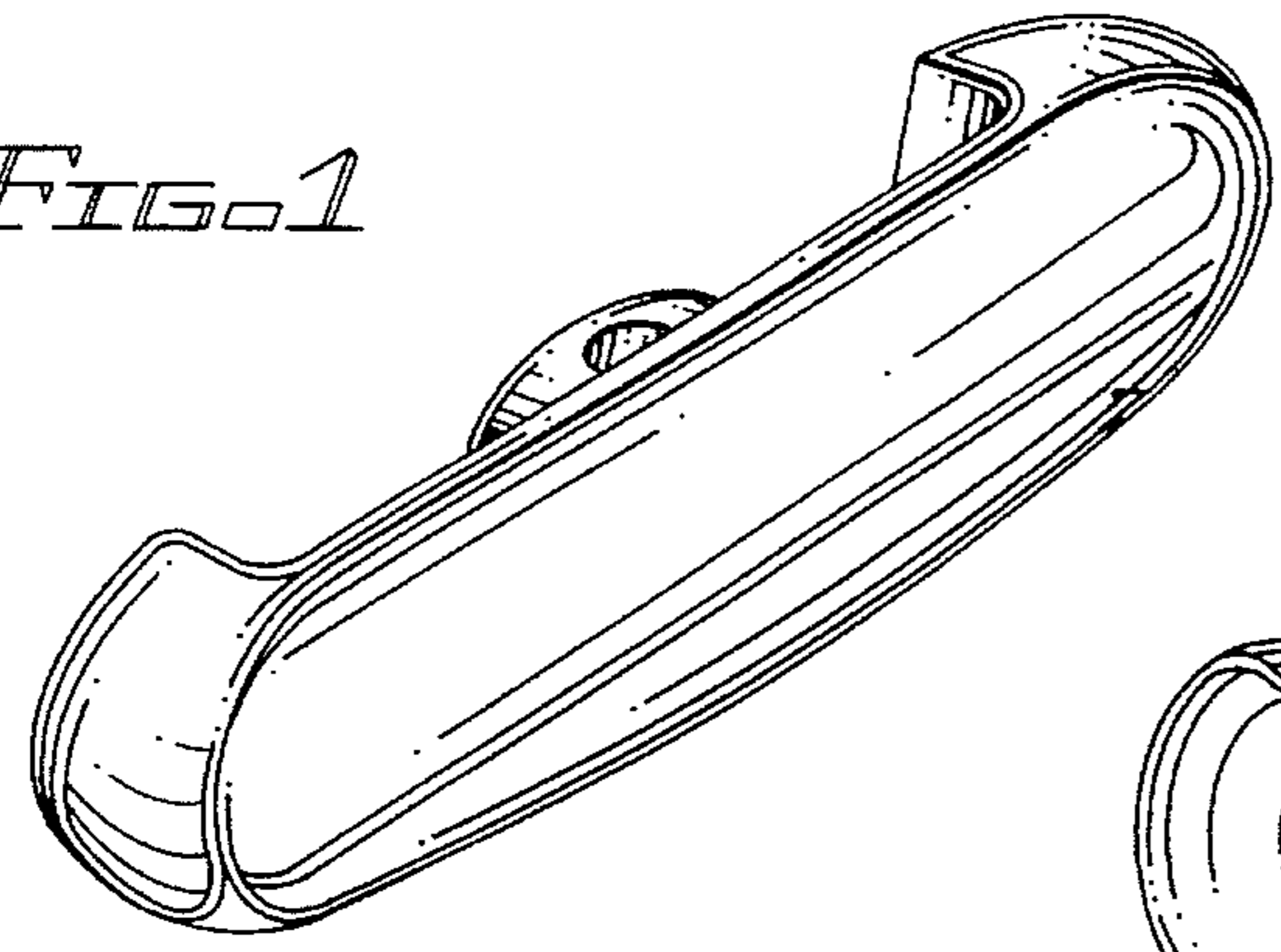


FIG. 4

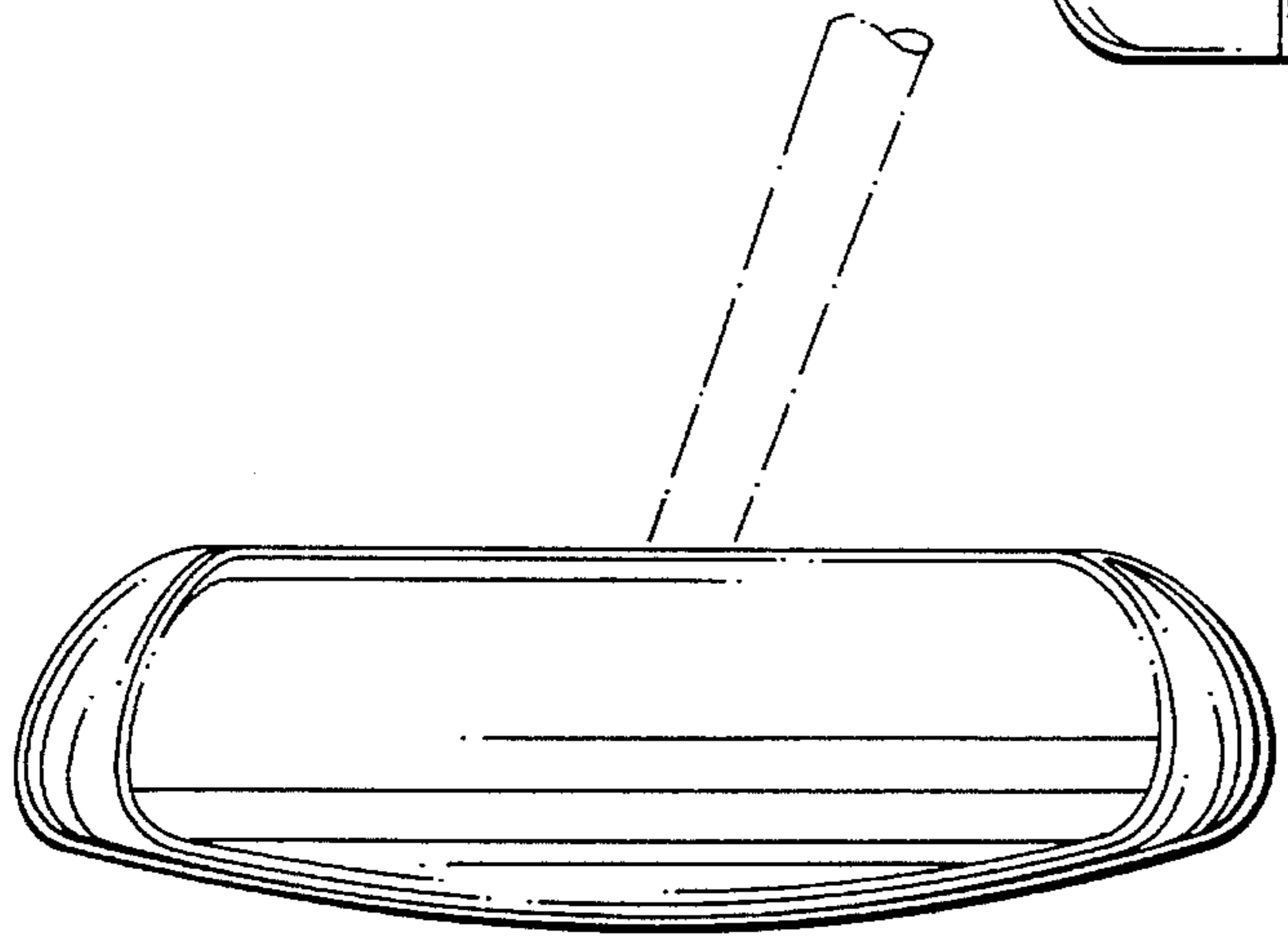


FIG. 2

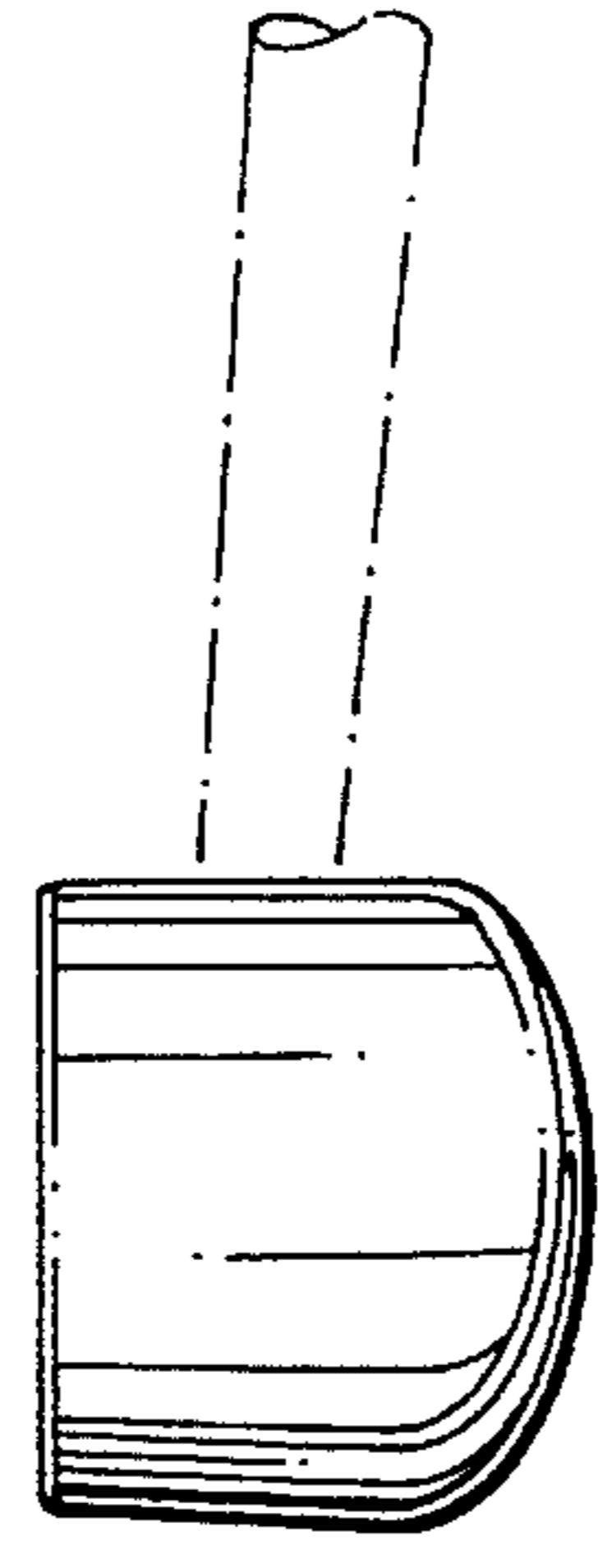


FIG. 6

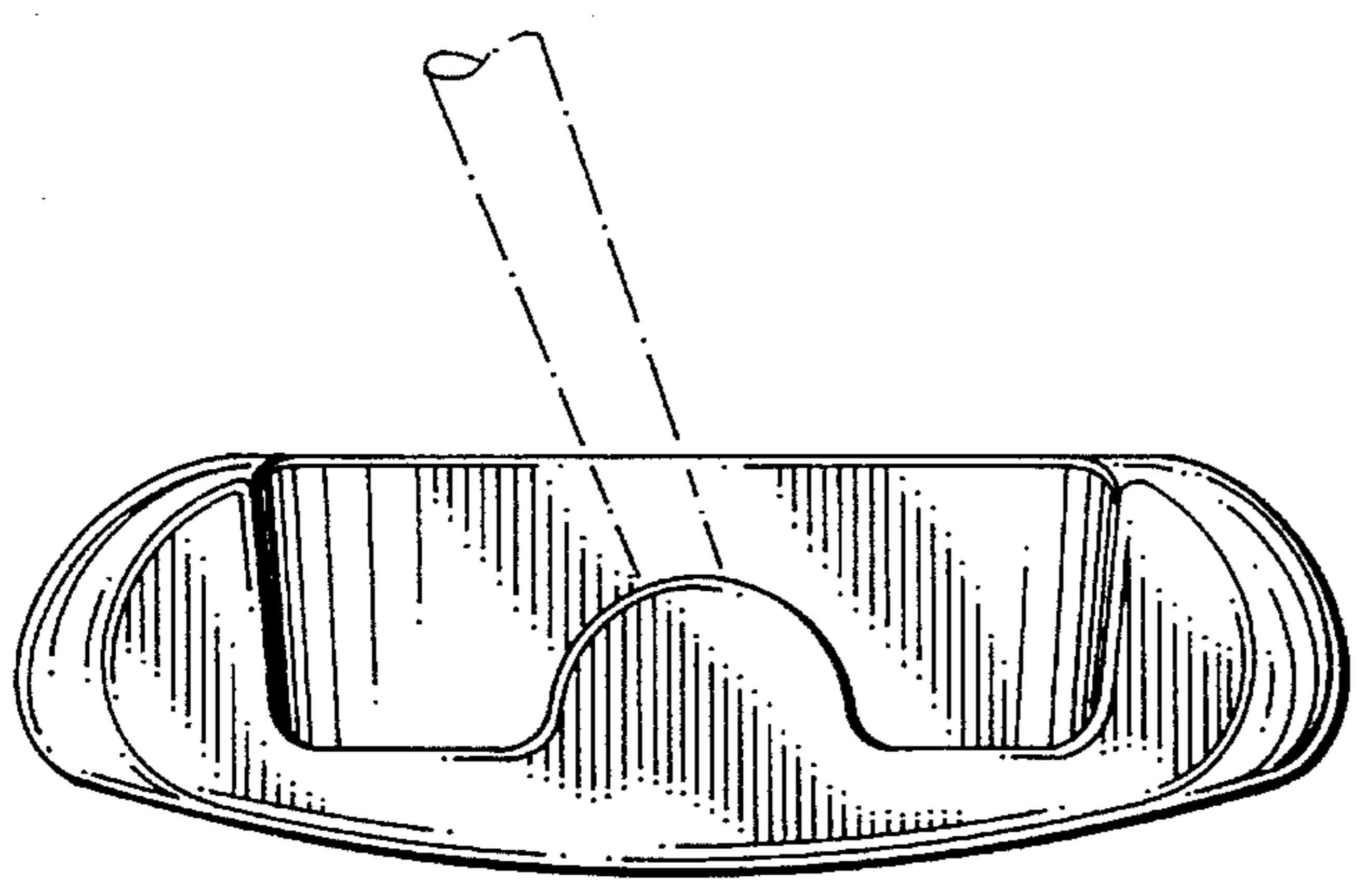


FIG. 3

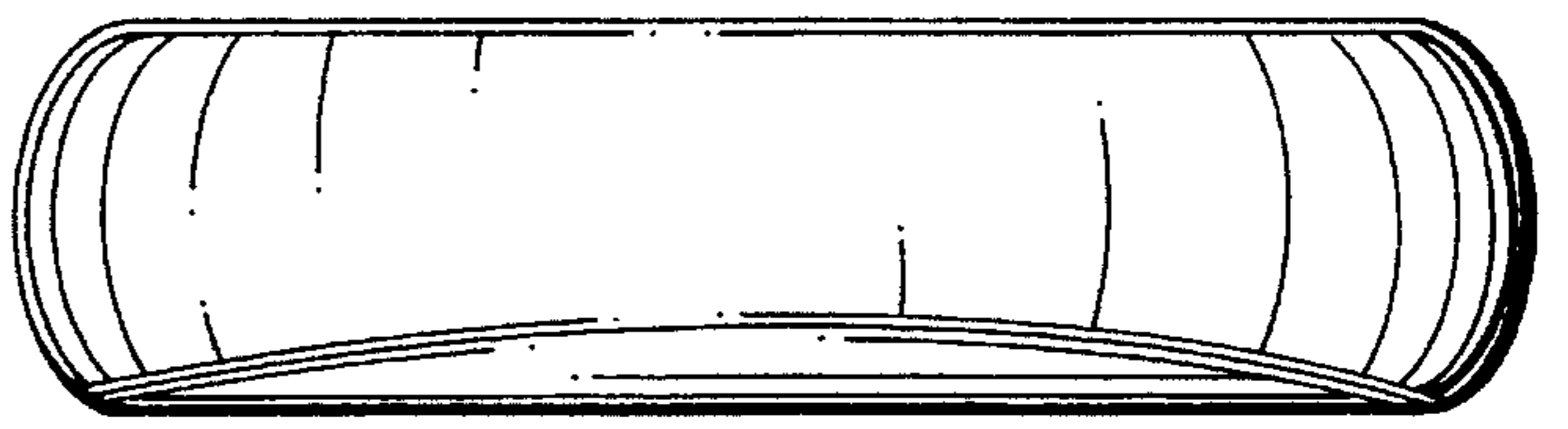


FIG. 5