



US00D378389S

United States Patent [19]

[11] Patent Number: Des. 378,389

Manu

[45] Date of Patent: **Mar. 11, 1997

[54] BALL PADDLE

[75] Inventor: Alexander Manu, Toronto, Canada

[73] Assignee: The Axis Group Inc., Toronto, Canada

[**] Term: 14 Years

[21] Appl. No.: 45,732

[22] Filed: Oct. 27, 1995

[52] U.S. Cl. D21/213

[58] Field of Search D21/212, 213;
273/76, 319, 413

3,148,883 9/1964 Ruderian 273/76
 3,921,978 11/1975 Warren .
 4,789,161 12/1988 Waskelo .
 5,123,656 7/1992 Green .
 5,253,874 10/1993 Hoffman .

Primary Examiner—Ted Shooman
 Assistant Examiner—Mitchell I. Siegel
 Attorney, Agent, or Firm—Nixon & Vanderhye

[57] CLAIM

The ornamental design for a ball paddle, as shown and described.

DESCRIPTION

FIG. 1 is a front elevational view of a ball paddle according to my design;

FIG. 2 is a right side elevational view of the ball paddle shown in FIG. 1;

FIG. 3 is an enlarged bottom plan view of the ball paddle shown in FIG. 1;

FIG. 4 is a top plan view of the ball paddle shown in FIG. 3;

FIG. 5 is a left side elevational view of the ball paddle shown in FIG. 1; and,

FIG. 6 is a rear elevational view of the ball paddle shown in FIG. 1.

[56] References Cited

U.S. PATENT DOCUMENTS

D. 240,055	5/1976	Spivey, II	273/76 X
D. 251,514	4/1979	Spivey, II	D21/213
D. 268,854	5/1983	Benedict	D21/240
D. 319,086	8/1991	Hughes	D21/213
D. 360,899	8/1995	Choi	D21/212
622,663	4/1899	Brighton	D21/213 X
645,919	3/1900	Holmes	273/76
716,464	12/1902	Nelson	273/76
820,017	5/1906	Russell	.	
1,582,104	4/1926	Voelker	.	
2,121,550	9/1938	Collins	.	
2,961,239	11/1960	von Arnhem	.	

1 Claim, 3 Drawing Sheets

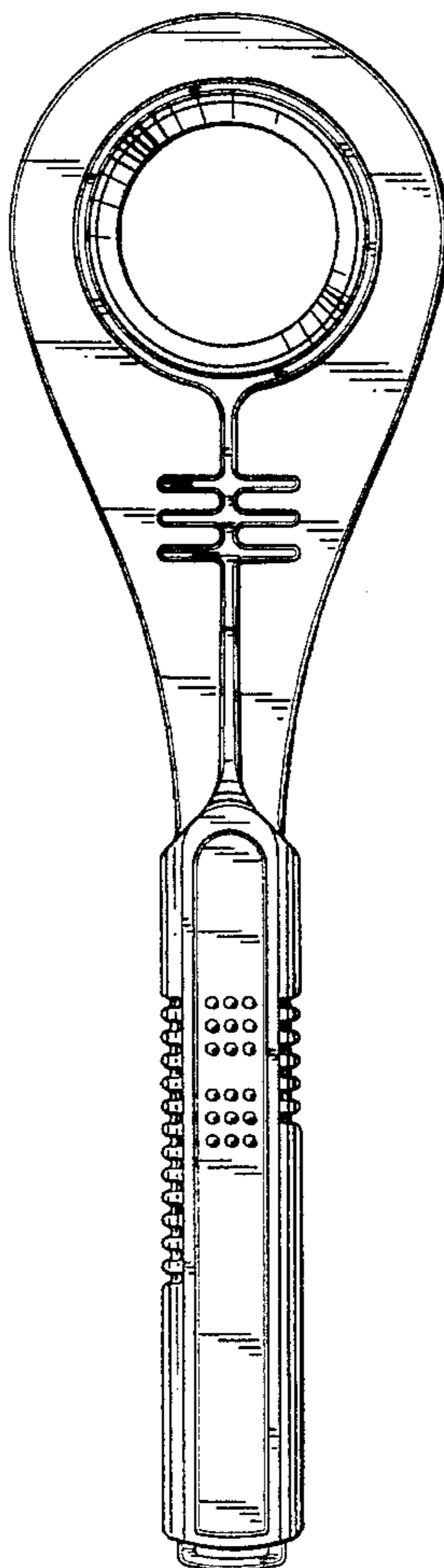


Fig. 2

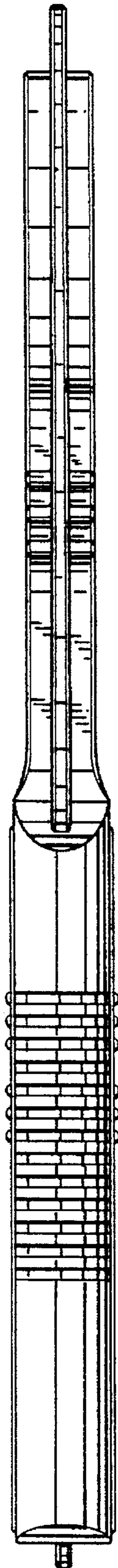


Fig. 1

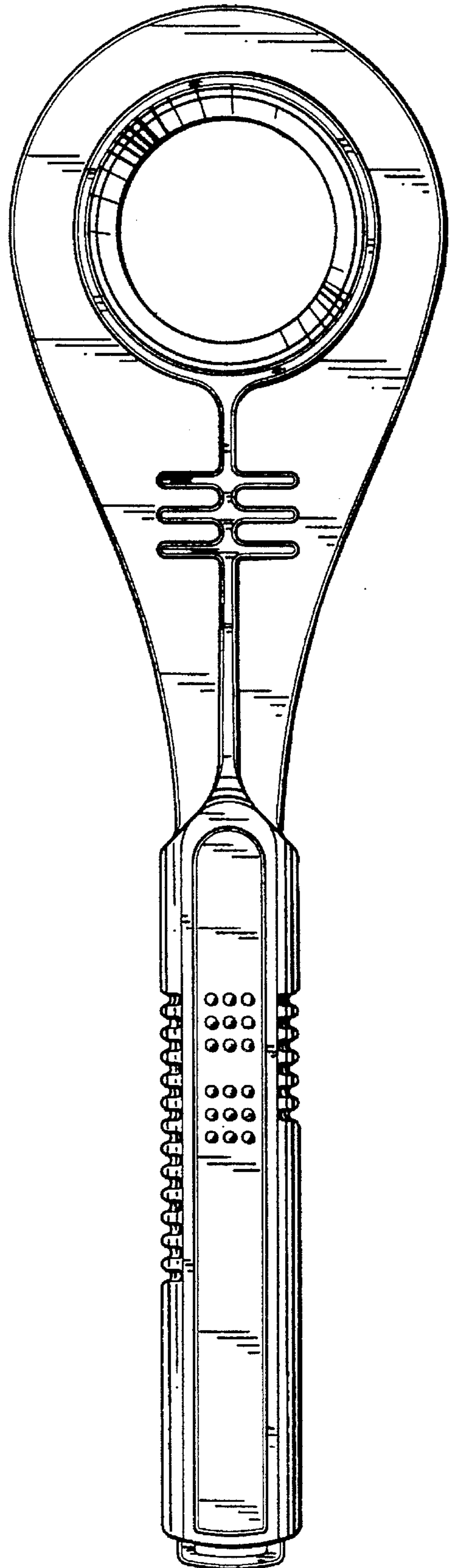


Fig. 3

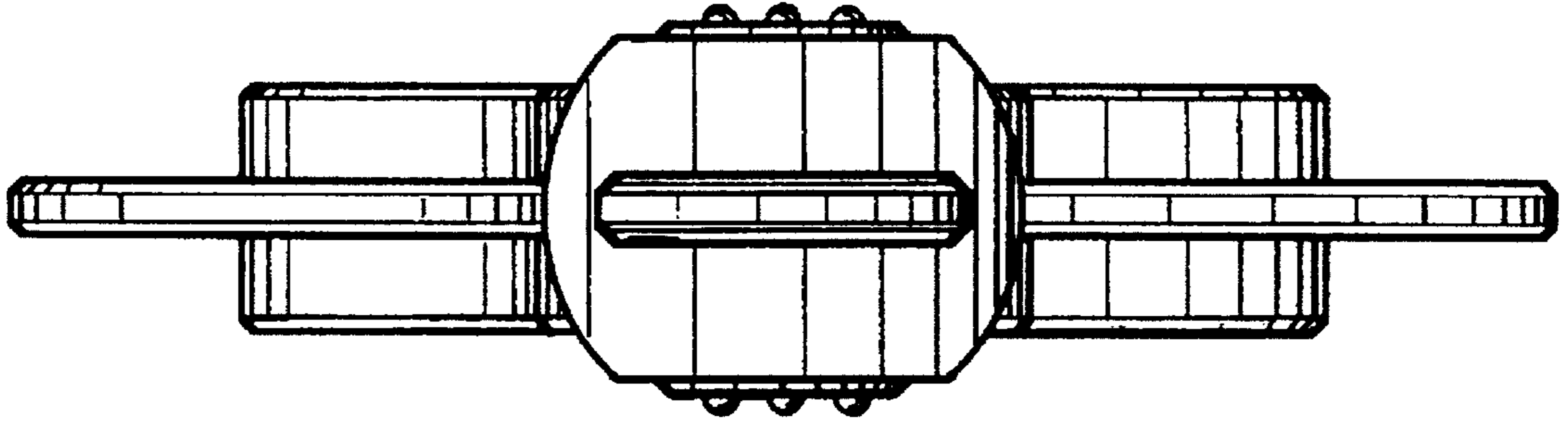


Fig. 4

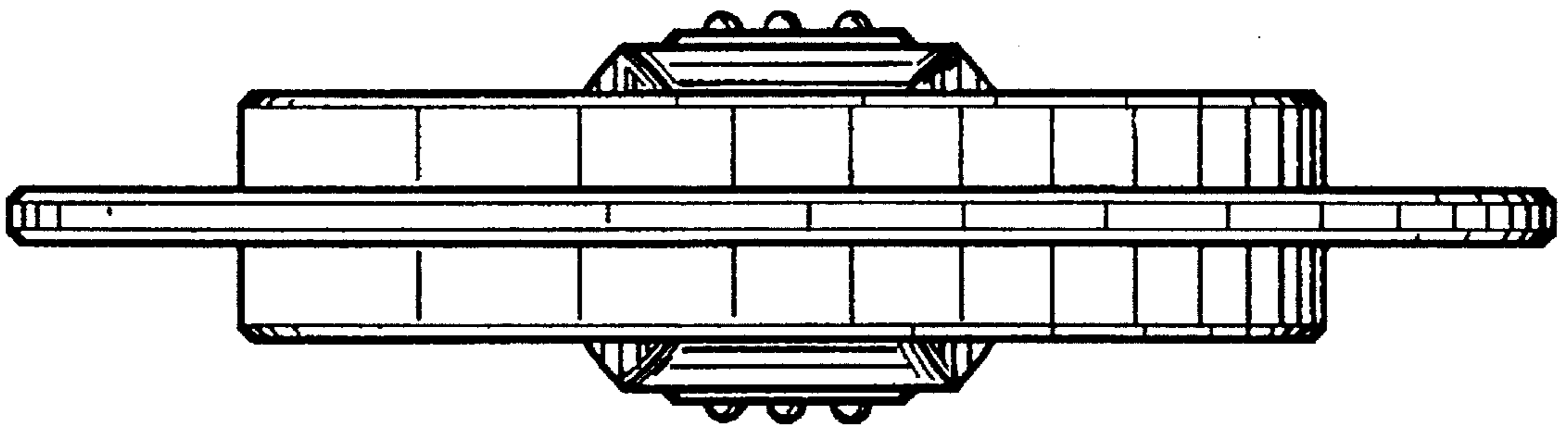


Fig. 5

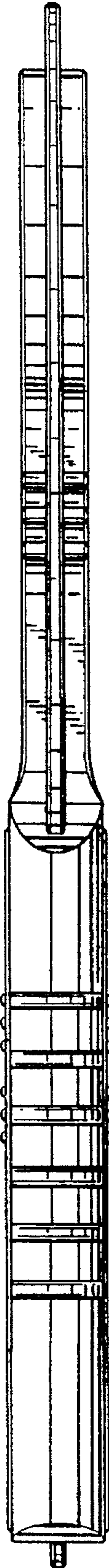


Fig. 6

