



US00D378382S

United States Patent [19]

[11] Patent Number: **Des. 378,382**

Ellman et al.

[45] Date of Patent: ****Mar. 11, 1997**

[54] **TOY GAME**

4,240,628	12/1980	Brownfield	273/440
4,244,568	1/1981	Ferris et al.	273/445
4,895,364	1/1990	Martel et al.	273/445 X

[76] Inventors: **Steven Ellman**, 1672 E. 7th St., Brooklyn, N.Y. 11230; **Fredric Ellman**, 30 Fairview Ave., Tarrytown, N.Y. 10591; **Julius Ellman**, 1672 E. 7th St., Brooklyn, N.Y. 11230

Primary Examiner—Prabhakar G. Deshmukh
Attorney, Agent, or Firm—Lackebach Siegel Marzullo Aronson and Greenspan, P.C.

[**] Term: **14 Years**

[57] CLAIM

[21] Appl. No.: **28,788**

The ornamental design for a toy game, as shown and described.

[22] Filed: **Sep. 22, 1994**

DESCRIPTION

[52] U.S. Cl. **D21/1**

[58] Field of Search D21/1, 241, 245, D21/5; 273/440, 445, 454, 456, 447

FIG. 1 is a perspective view of a toy game, showing our new design;

FIG. 2 is a side elevational view thereof viewed in the direction of the section lines 2—2 in FIG. 1, the other side elevational views being substantially identical;

FIG. 3 is a bottom plan view thereof; and,

FIG. 4 is a top plan view thereof.

[56] References Cited

U.S. PATENT DOCUMENTS

D. 241,664	9/1976	Ewers et al.	D21/245 X
D. 289,927	5/1987	Bradford	D21/245 X
3,565,426	2/1971	Glass et al.	273/447
4,234,181	11/1980	Breslow et al.	273/440

1 Claim, 4 Drawing Sheets

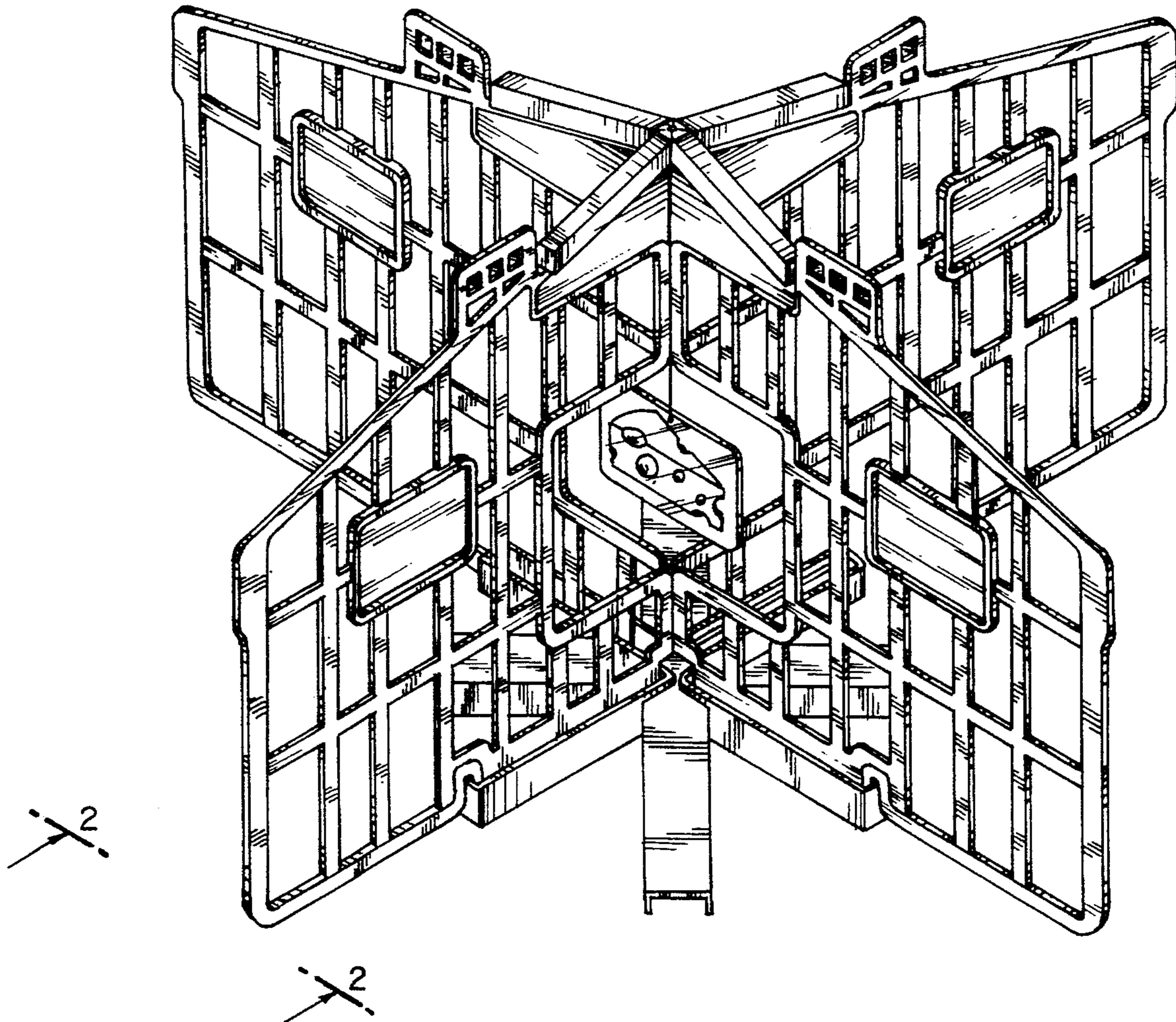
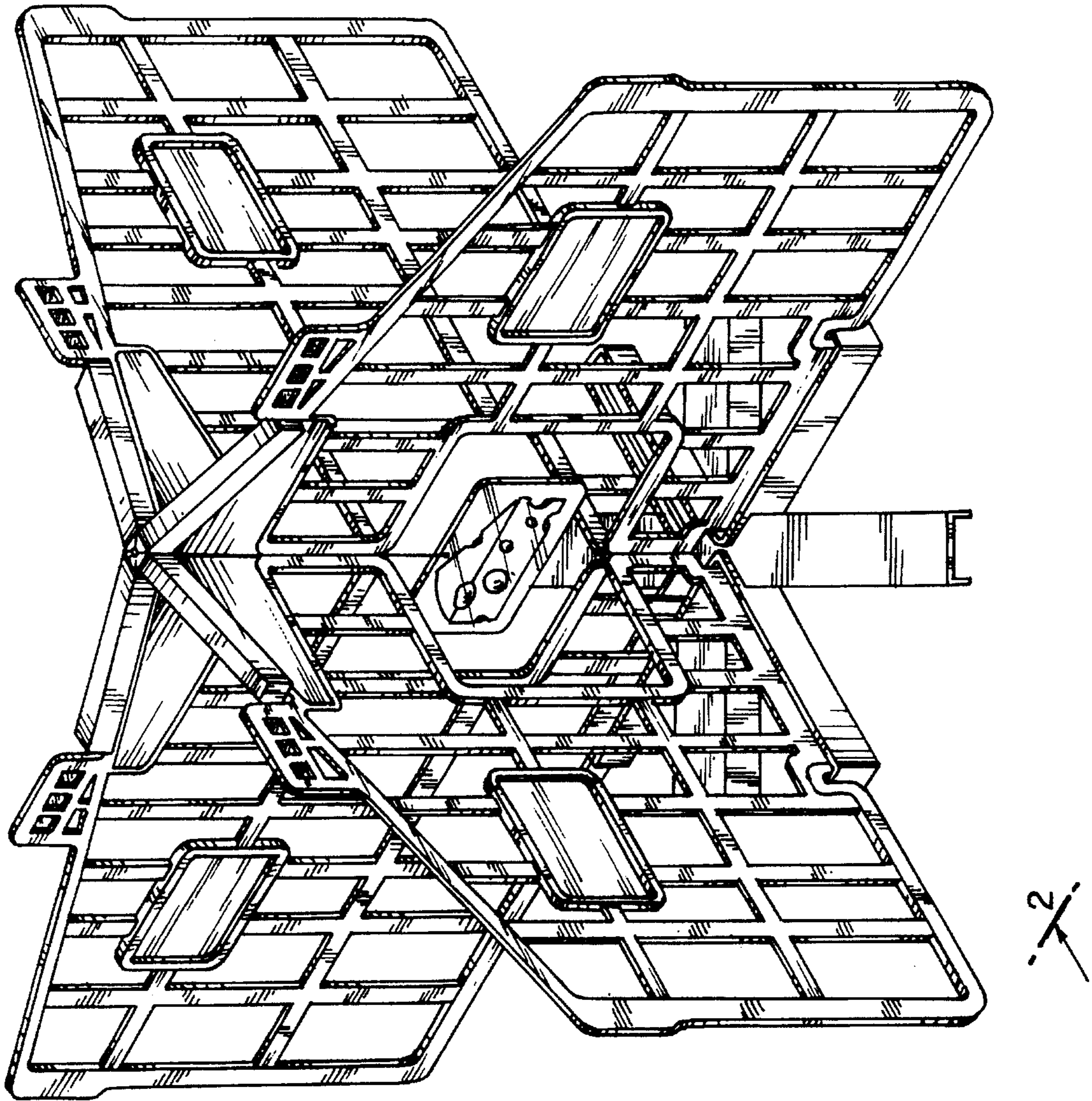


FIG. 1



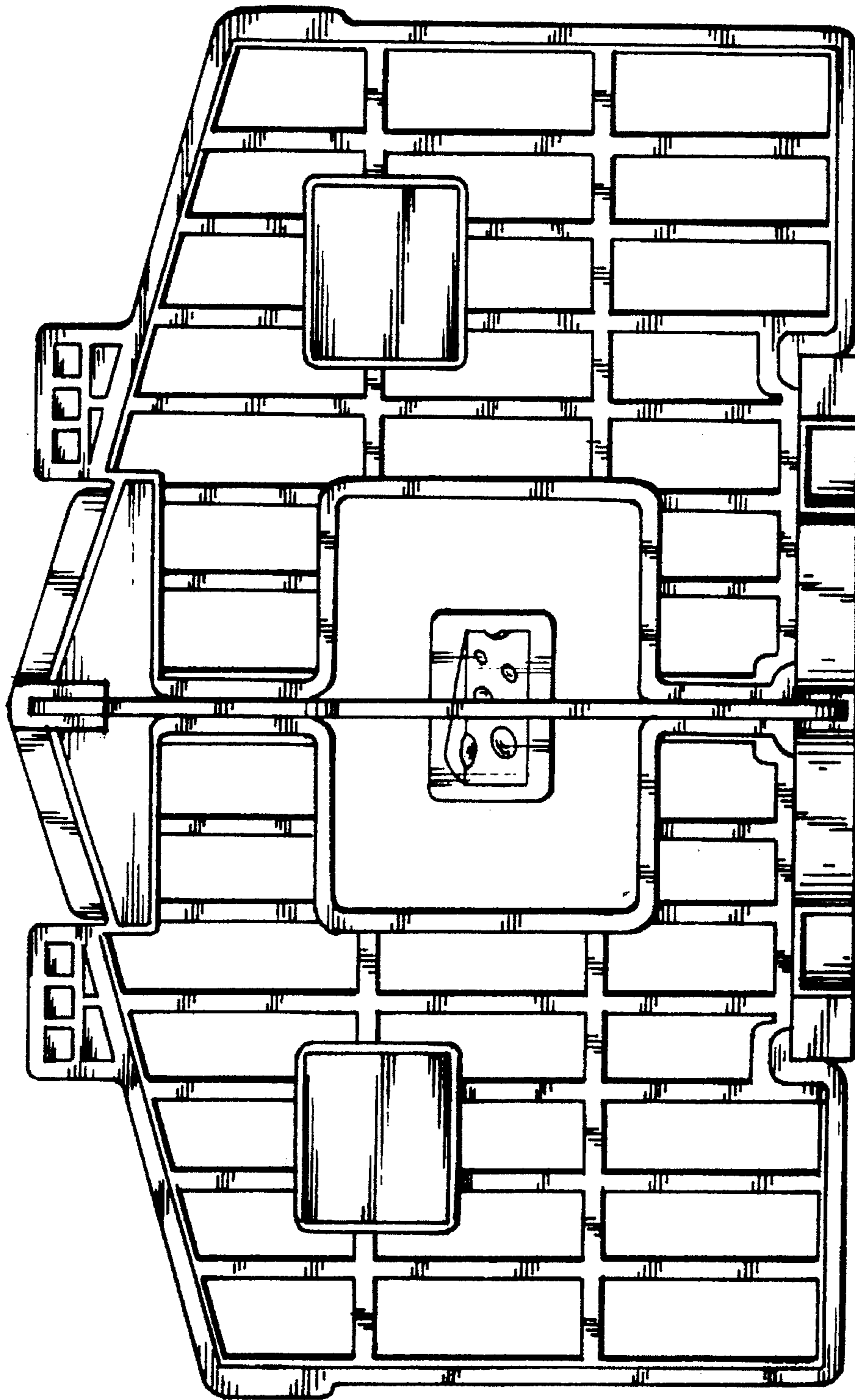


FIG. 2

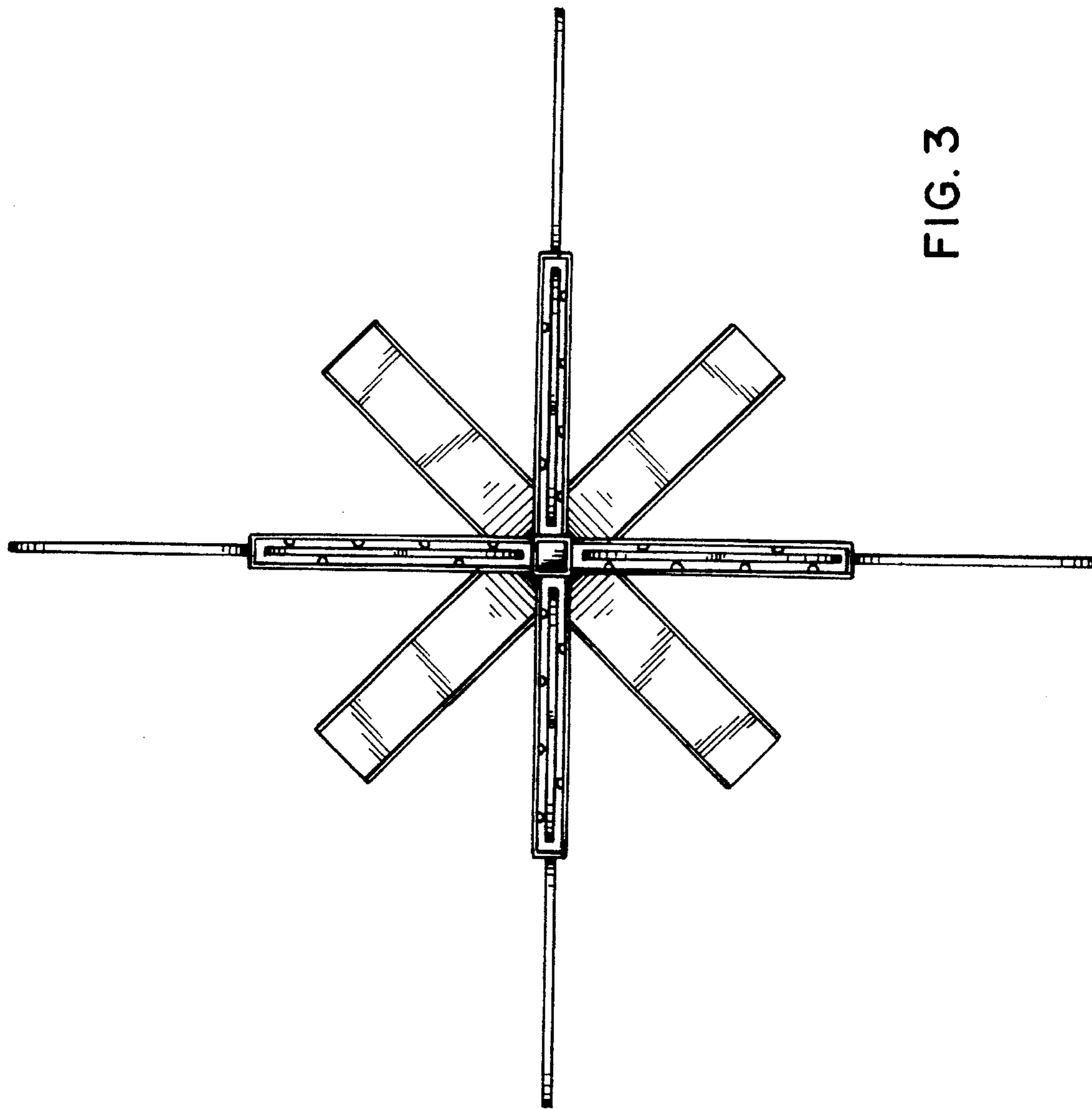


FIG. 3

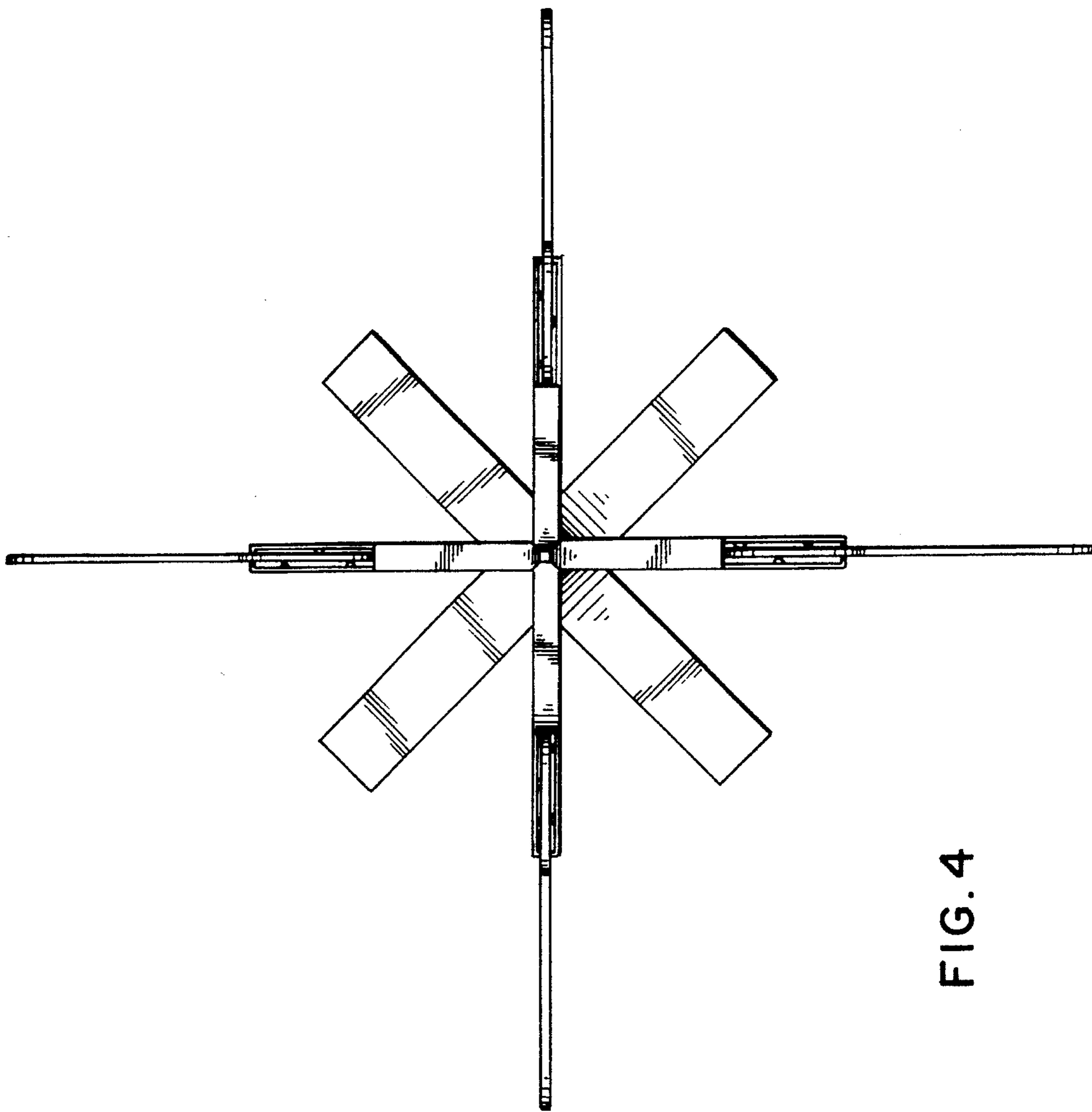


FIG. 4