



US00D378381S

United States Patent [19]

[11] **Patent Number: Des. 378,381**

ten Boden

[45] **Date of Patent: **Mar. 11, 1997**

[54] **COMBINED HIGHLIGHTER TAPE AND DISPENSER THEREFOR**

D. 283,631 4/1986 Miller et al. D19/69
2,685,416 8/1954 Smith 83/649

[76] Inventor: **Wietse ten Boden**, 5 Clyde Pl., Kings Park, N.Y. 11754

Primary Examiner—Martie Thompson
Attorney, Agent, or Firm—Harold H. Dutton, Jr.; W. Charles L. Jamison; Diane F. Liebman

[**] Term: **14 Years**

[57] **CLAIM**

[21] Appl. No.: **50,253**

The ornamental design for combined highlighter tape and dispenser therefor, as shown.

[22] Filed: **Feb. 12, 1996**

[52] U.S. Cl. **D19/69; D19/65**

DESCRIPTION

[58] **Field of Search** D19/65, 75, 67, D19/68, 69, 99, 100, 95; 225/6, 7, 19, 24, 25, 34, 40, 45, 56, 65, 77, 89; 156/510, 527, 577, 523; 206/408; 83/649; 30/124

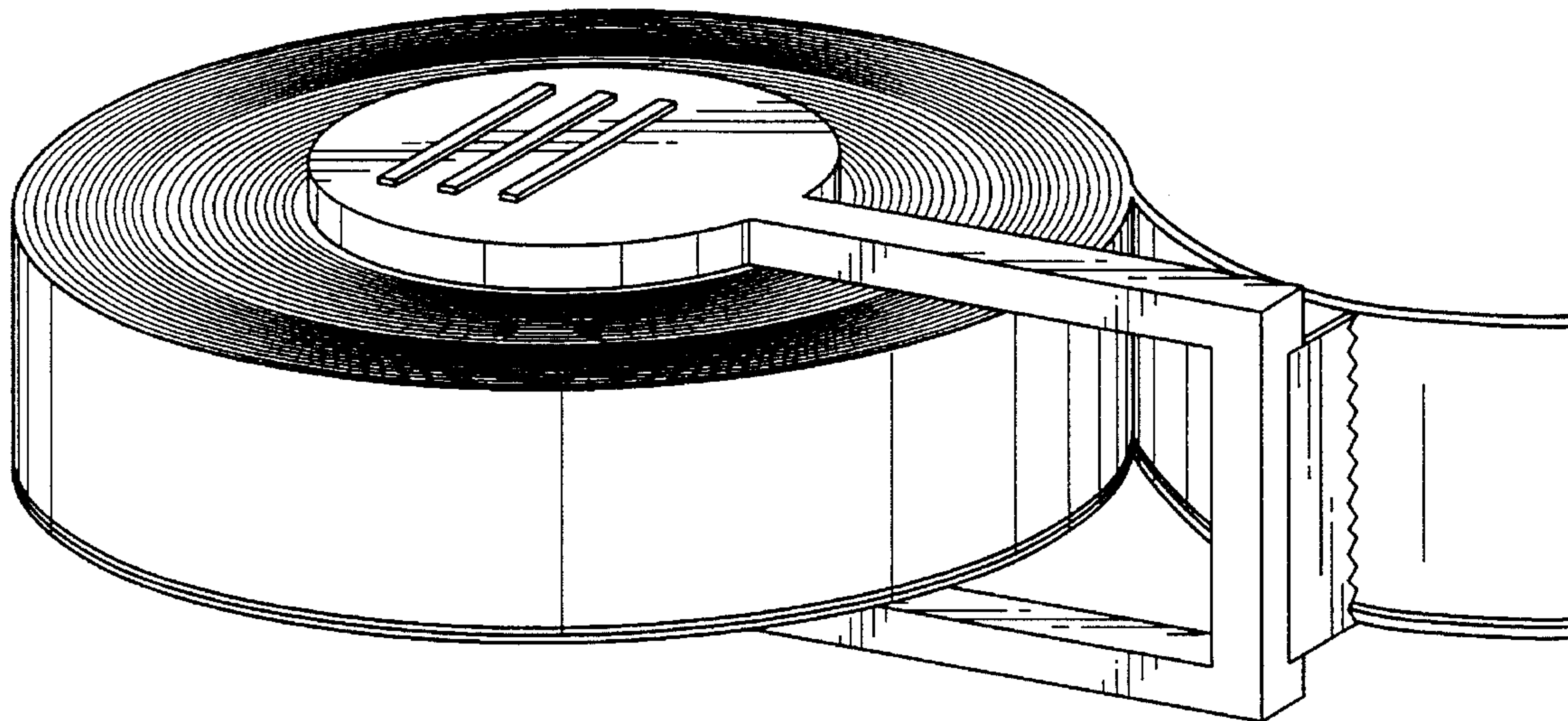
FIG. 1 is a perspective view of combined highlighter tape and dispenser therefor showing my new design;
FIG. 2 is a top view thereof;
FIG. 3 is a bottom side view thereof;
FIG. 4 is a front view thereof;
FIG. 5 is a rear view thereof;
FIG. 6 is a right side view thereof; and,
FIG. 7 is a left side view thereof.

[56] **References Cited**

U.S. PATENT DOCUMENTS

D. 177,870 5/1956 Loeb D19/69
D. 183,881 11/1958 Fritzinger D19/67
D. 208,597 9/1967 Waltz D19/69

1 Claim, 4 Drawing Sheets



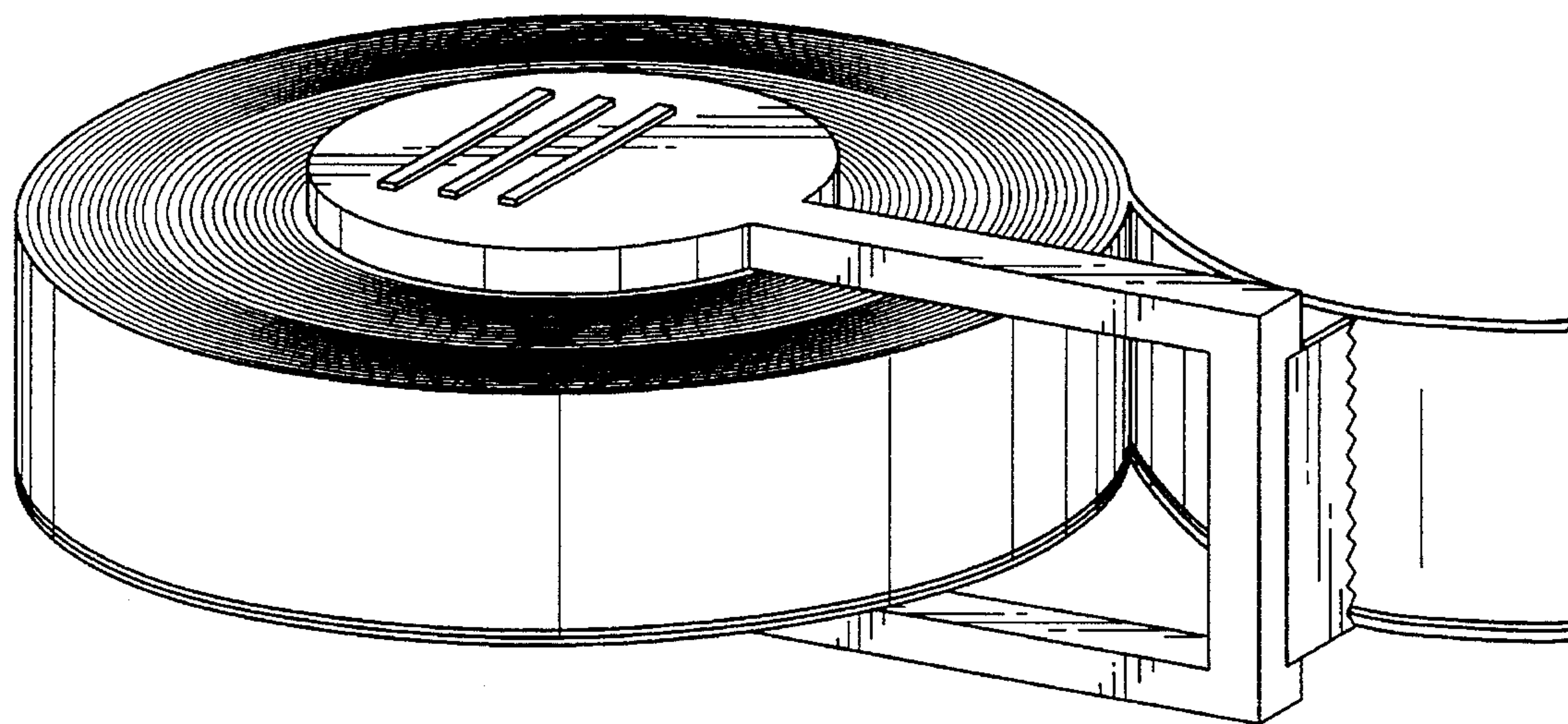


FIG. 1

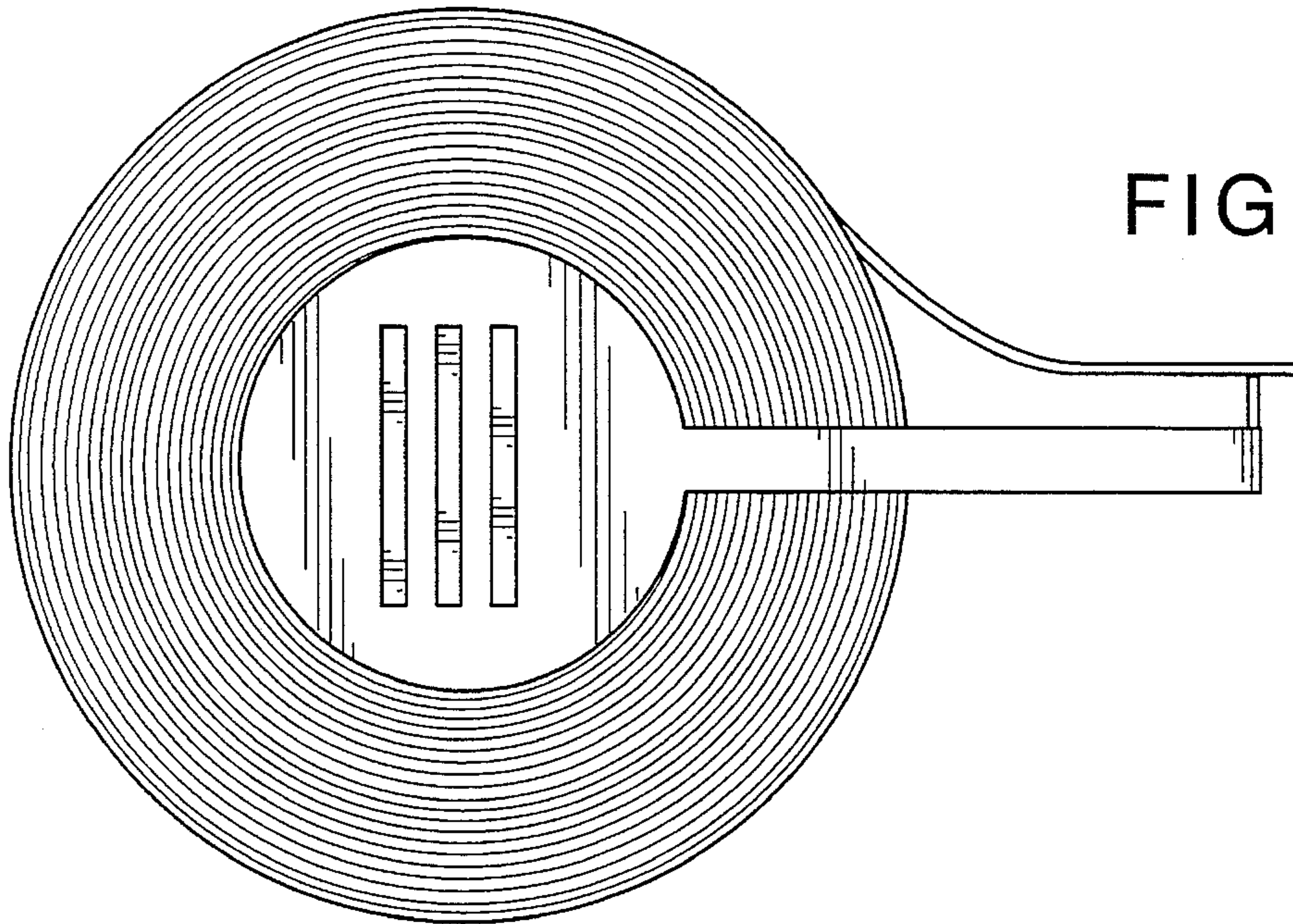


FIG. 2

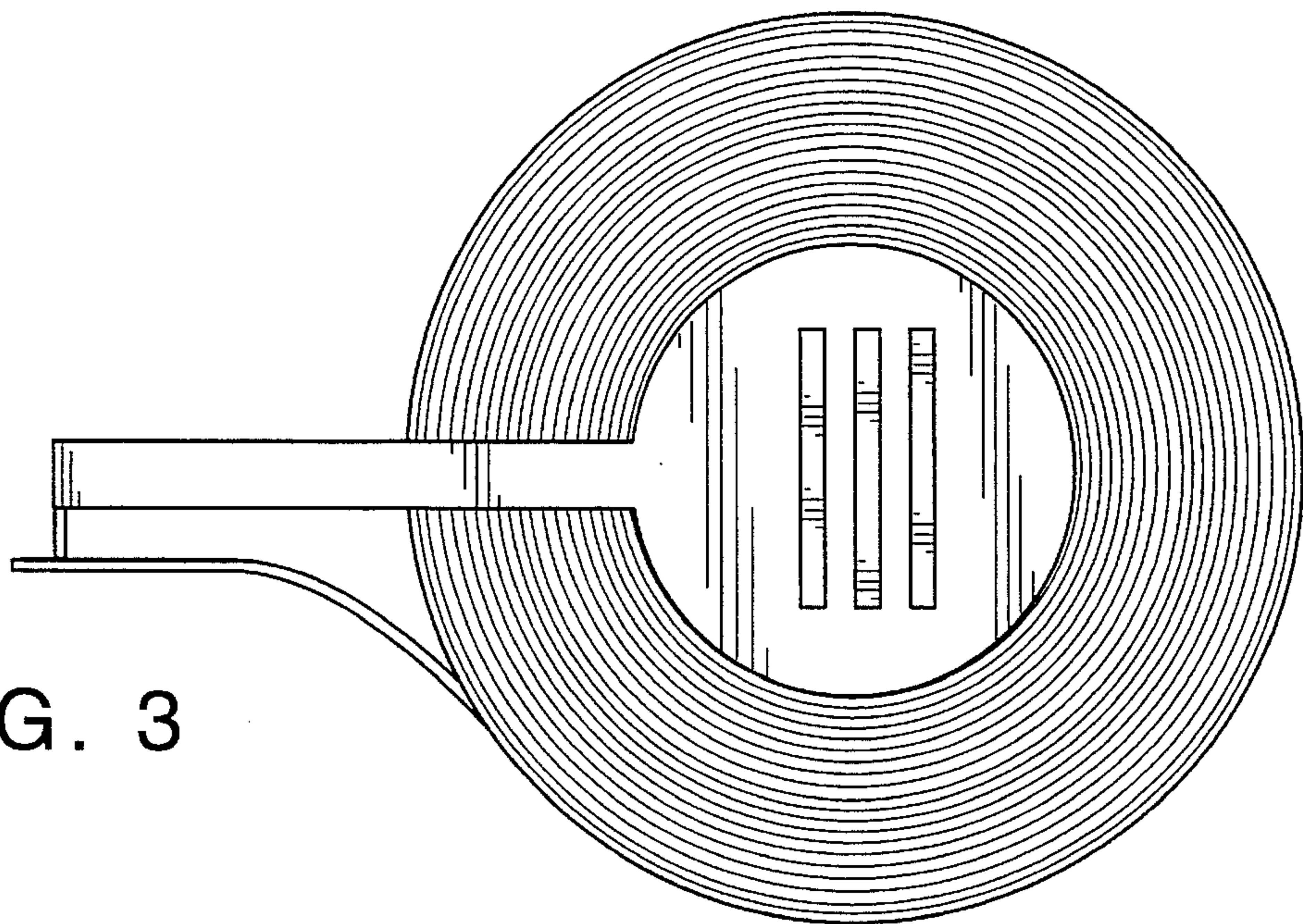


FIG. 3

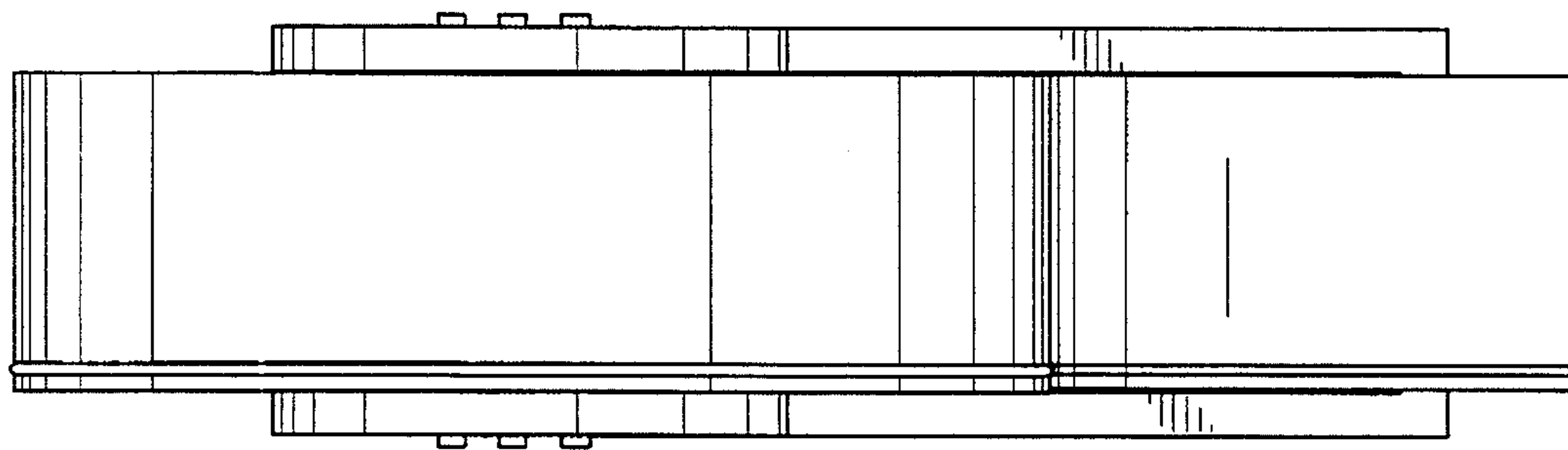


FIG. 4

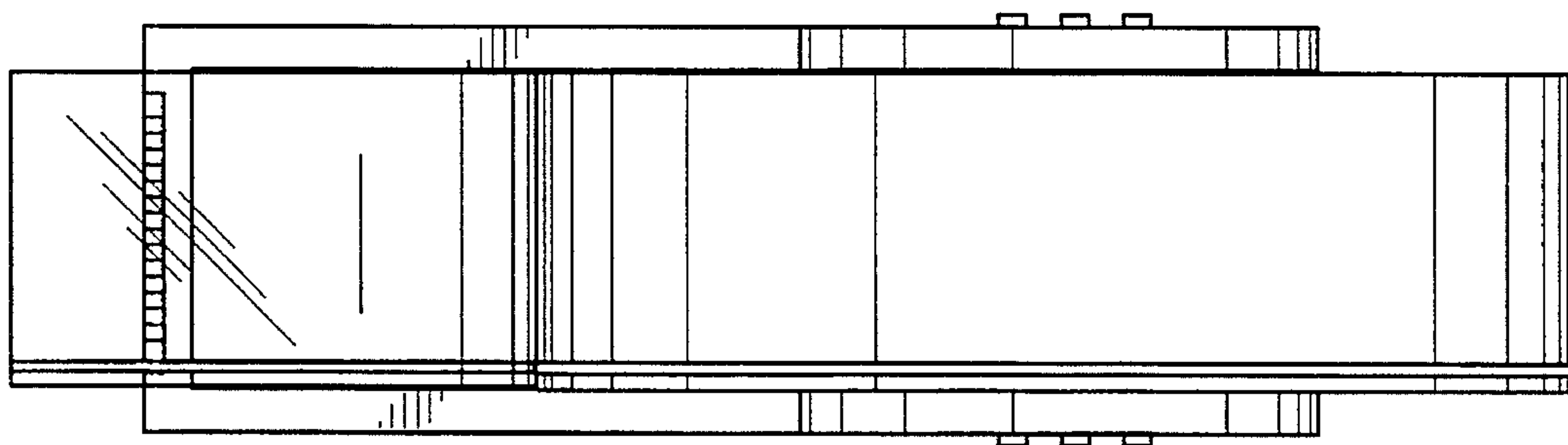


FIG. 5

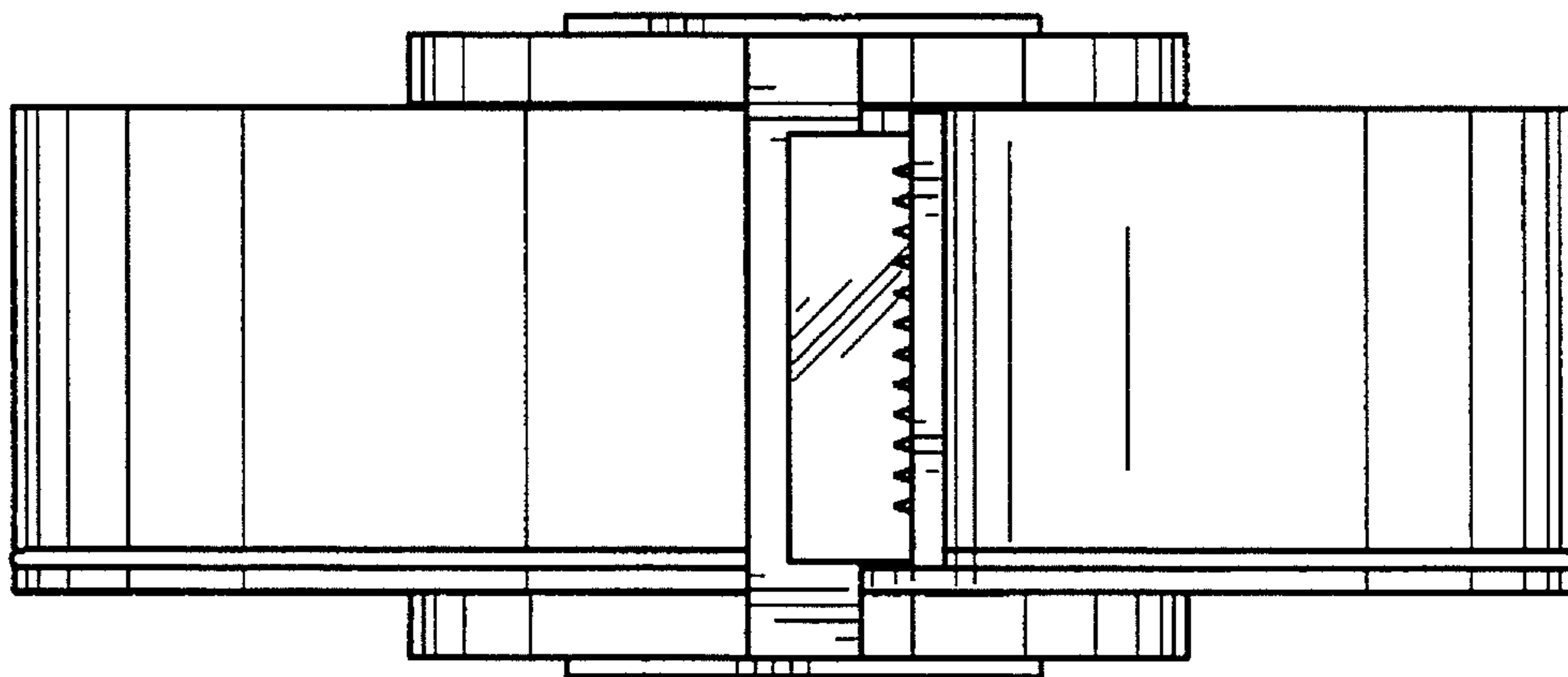


FIG. 6

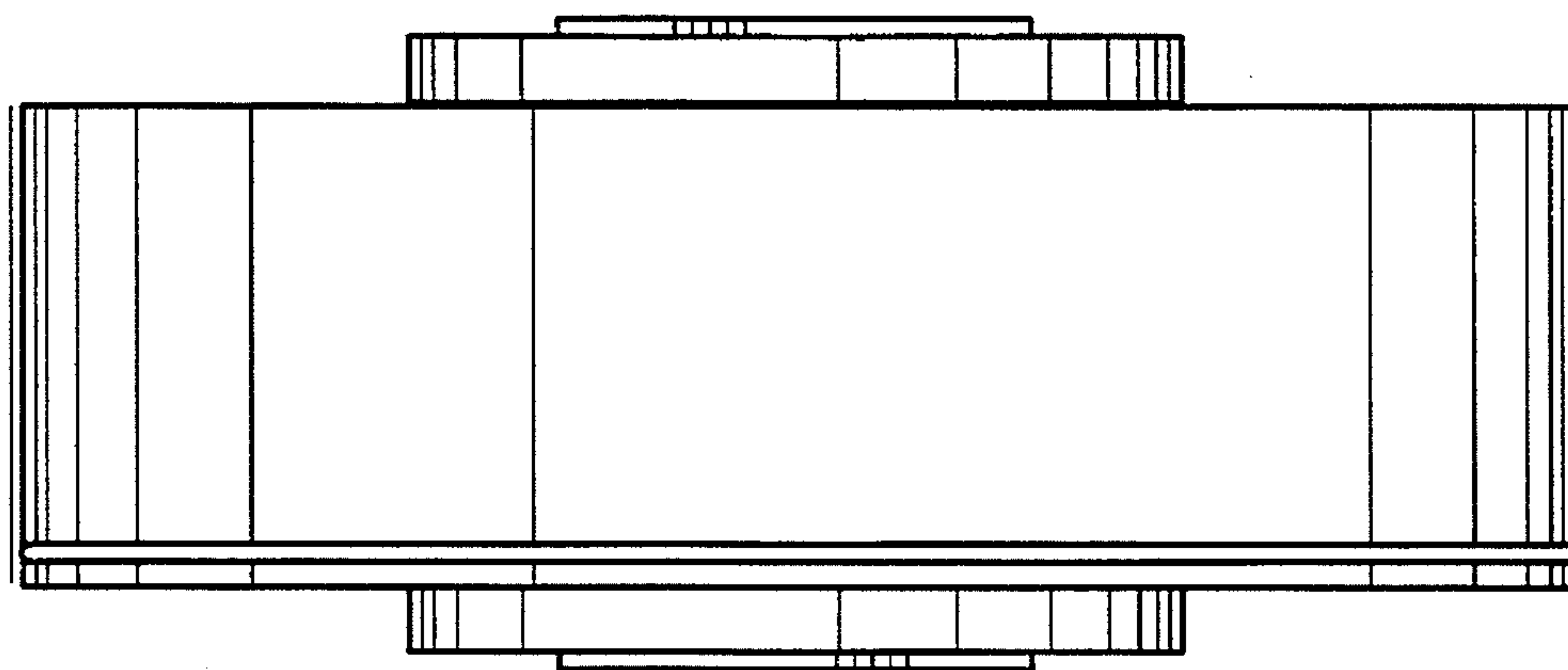


FIG. 7