



US00D378378S

United States Patent [19]

[11] Patent Number: **Des. 378,378**

Nakazawa et al.

[45] Date of Patent: ****Mar. 11, 1997**

[54] COMPUTER PRINTER

[75] Inventors: **Tooru Nakazawa; Mugio Kawasaki,**
both of Suwa, Japan

[73] Assignee: **Seiko Epson Corporation,** Tokyo,
Japan

[**] Term: **14 Years**

[21] Appl. No.: **44,360**

[22] Filed: **Sep. 22, 1995**

[30] Foreign Application Priority Data

Mar. 23, 1995 [JP] Japan 7-7800

[52] U.S. Cl. **D18/54; D18/55**

[58] Field of Search D18/50, 54-55;
400/691, 14 694, 690.1-690.4, 613, 613.1-613.4

[56] References Cited

U.S. PATENT DOCUMENTS

D. 331,596	12/1992	Horie	D18/55
D. 331,774	12/1992	Saeki	D18/55
D. 340,945	11/1993	Sugimoto	D18/55
D. 343,636	1/1994	Horie et al.	D18/55
D. 360,430	7/1995	Leong	D18/55
D. 363,306	10/1995	Eto et al.	D18/54

OTHER PUBLICATIONS

Citizen GSX-220 24-Wire Printer brochure; Published Nov. 1993; Cover Photograph.

Byte Magazine; Jul. 1984; Inside back cover page; NEC Information Systems, Inc. advertisement for Pinwriter Dot Matrix Printer.

NEC Information Systems, Inc. User'Guide; Pinwriter® Nov. 1988; Front Coverdrawings.

Japan Digital Laboratory brochure; ©1991; Auto Plotter XP.

Primary Examiner—Cathy Anne MacCormac

Attorney, Agent, or Firm—Stroock & Stroock & Lavan

[57] CLAIM

The ornamental design for a computer printer, as shown and described.

DESCRIPTION

FIG. 1 is a front perspective view of a computer printer showing our new design;

FIG. 2 is a front view thereof;

FIG. 3 is a rear view thereof;

FIG. 4 is a top plan view thereof;

FIG. 5 is a right side view thereof;

FIG. 6 is a left side view thereof; and,

FIG. 7 is a bottom view thereof.

1 Claim, 4 Drawing Sheets

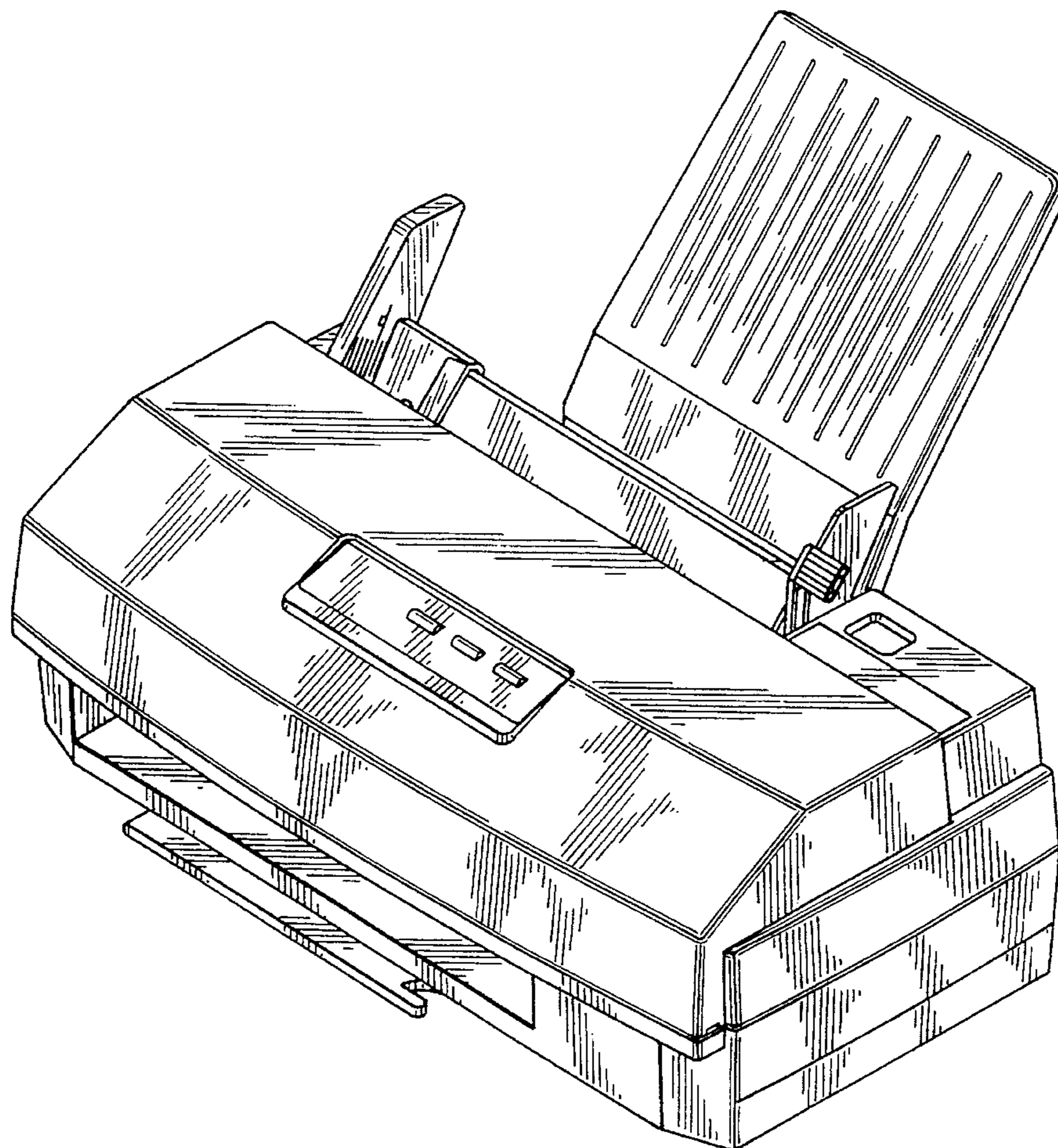


FIG. 1

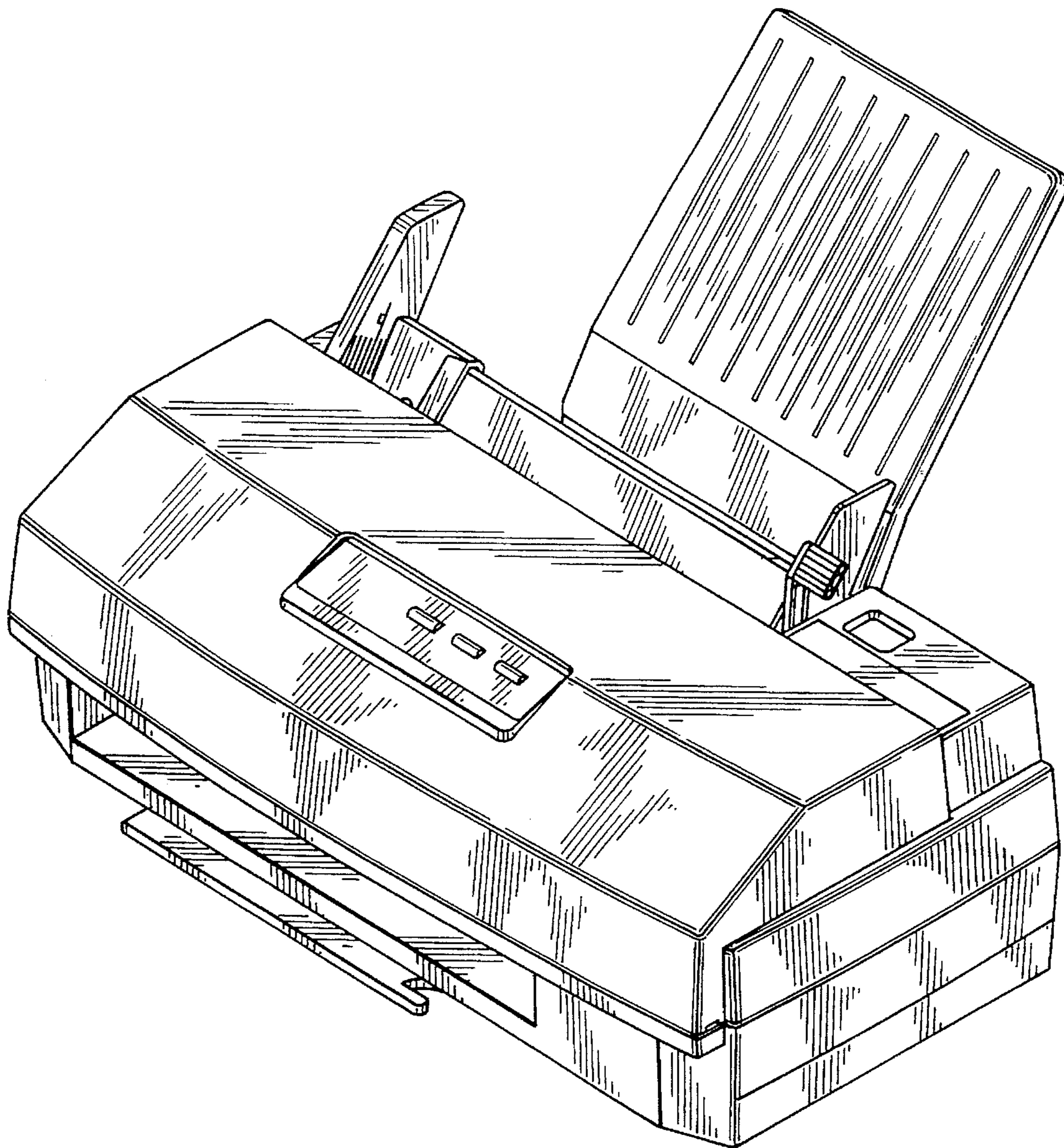


FIG. 2

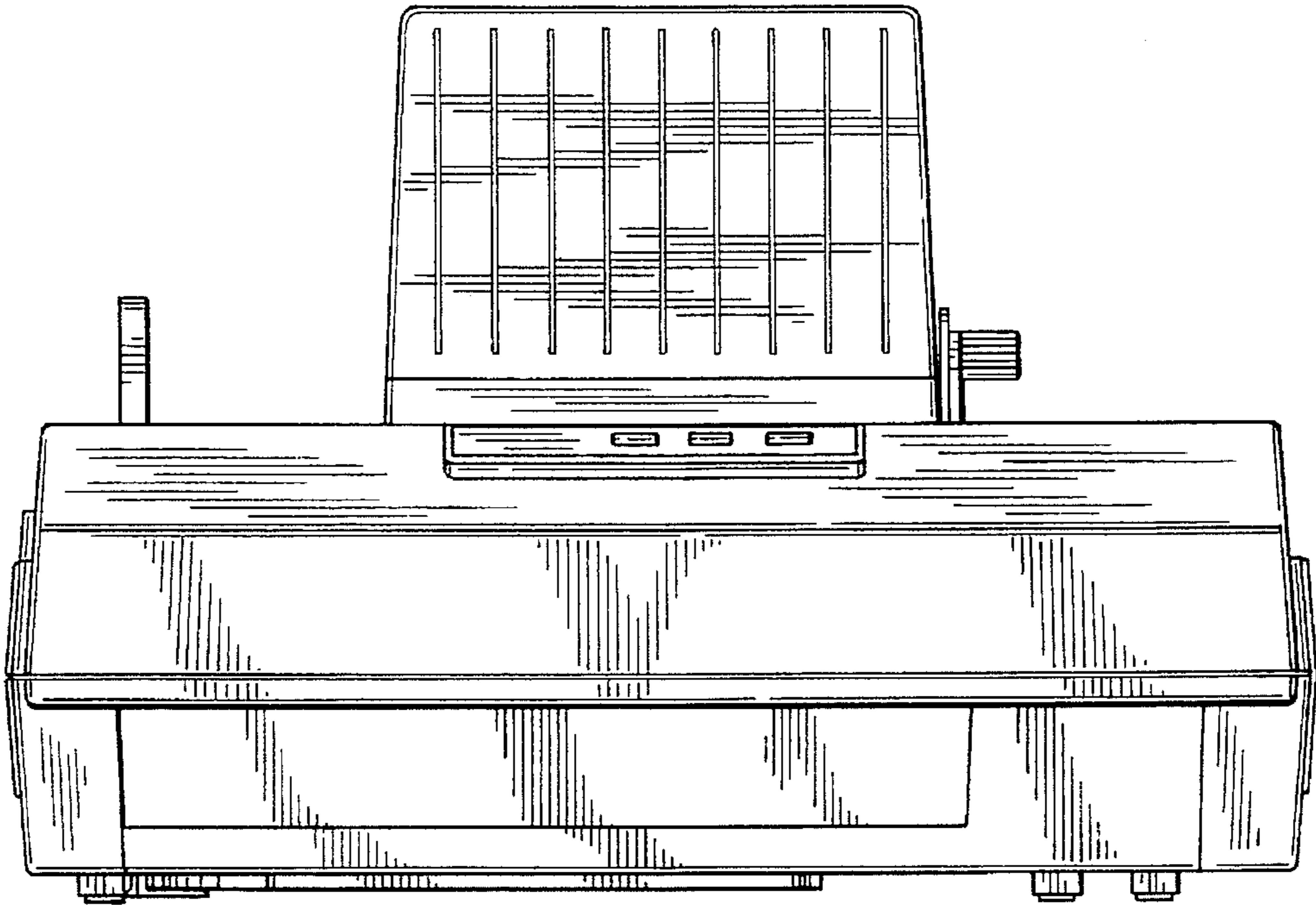


FIG. 3

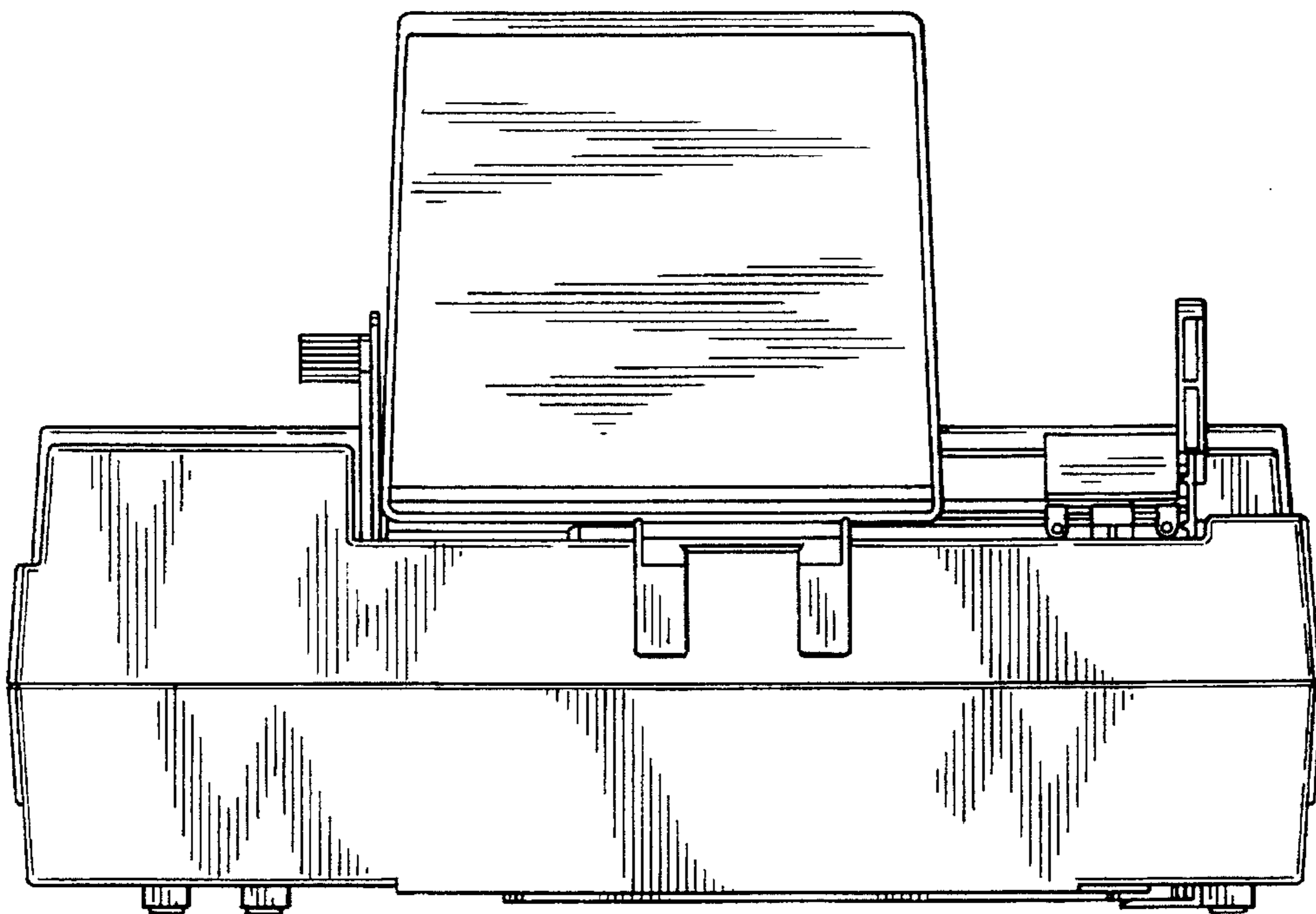


FIG. 4

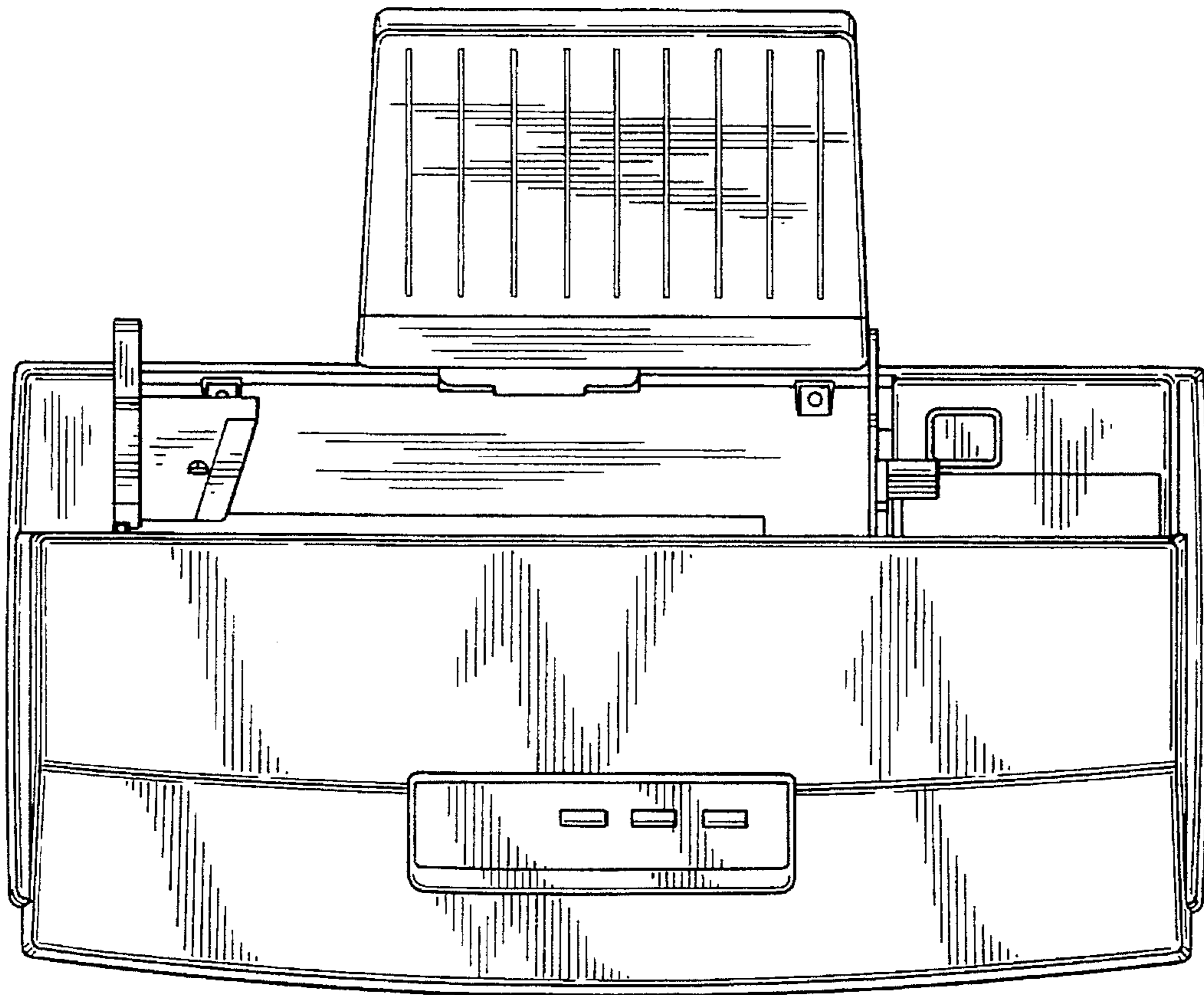


FIG. 5

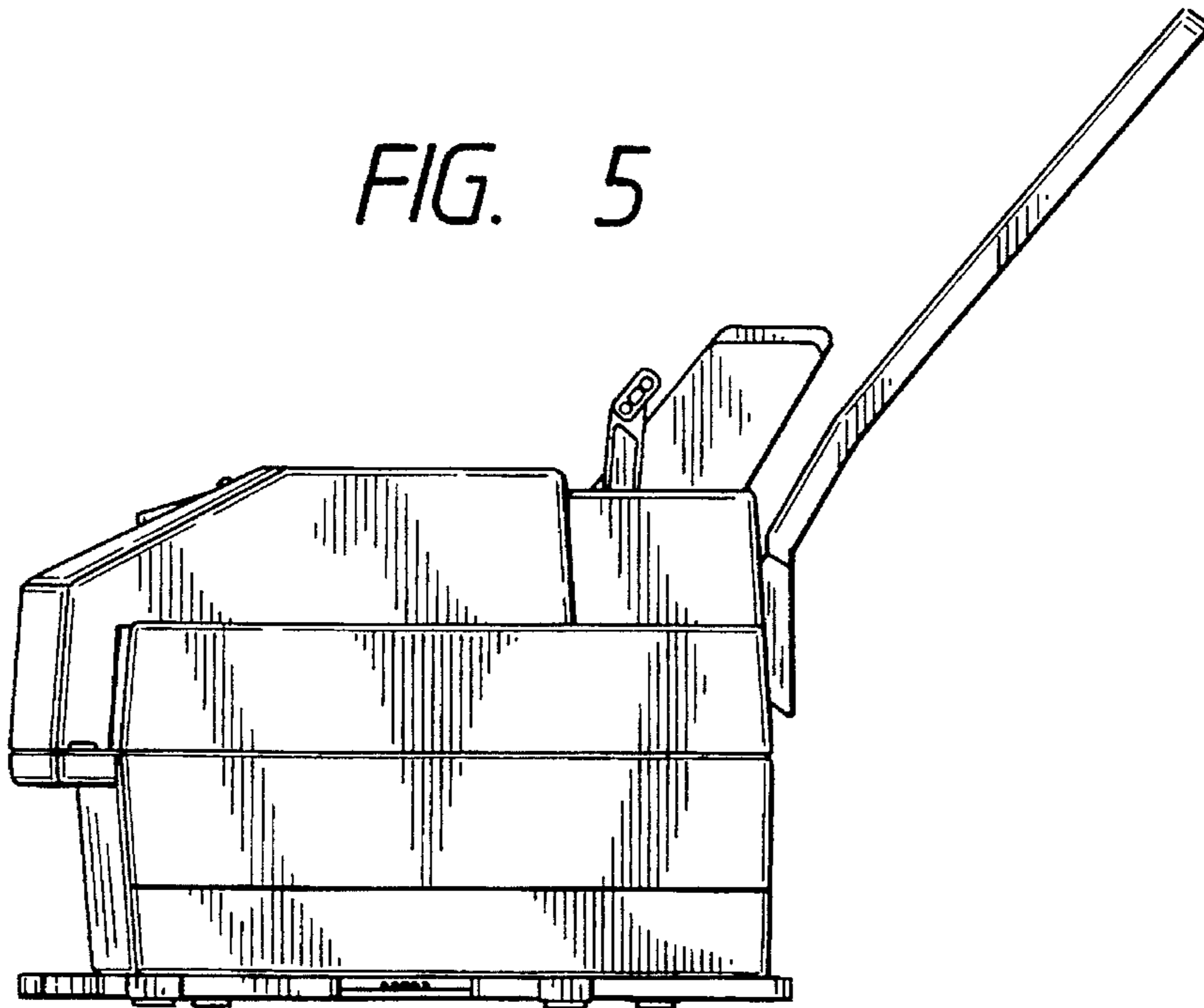


FIG. 6

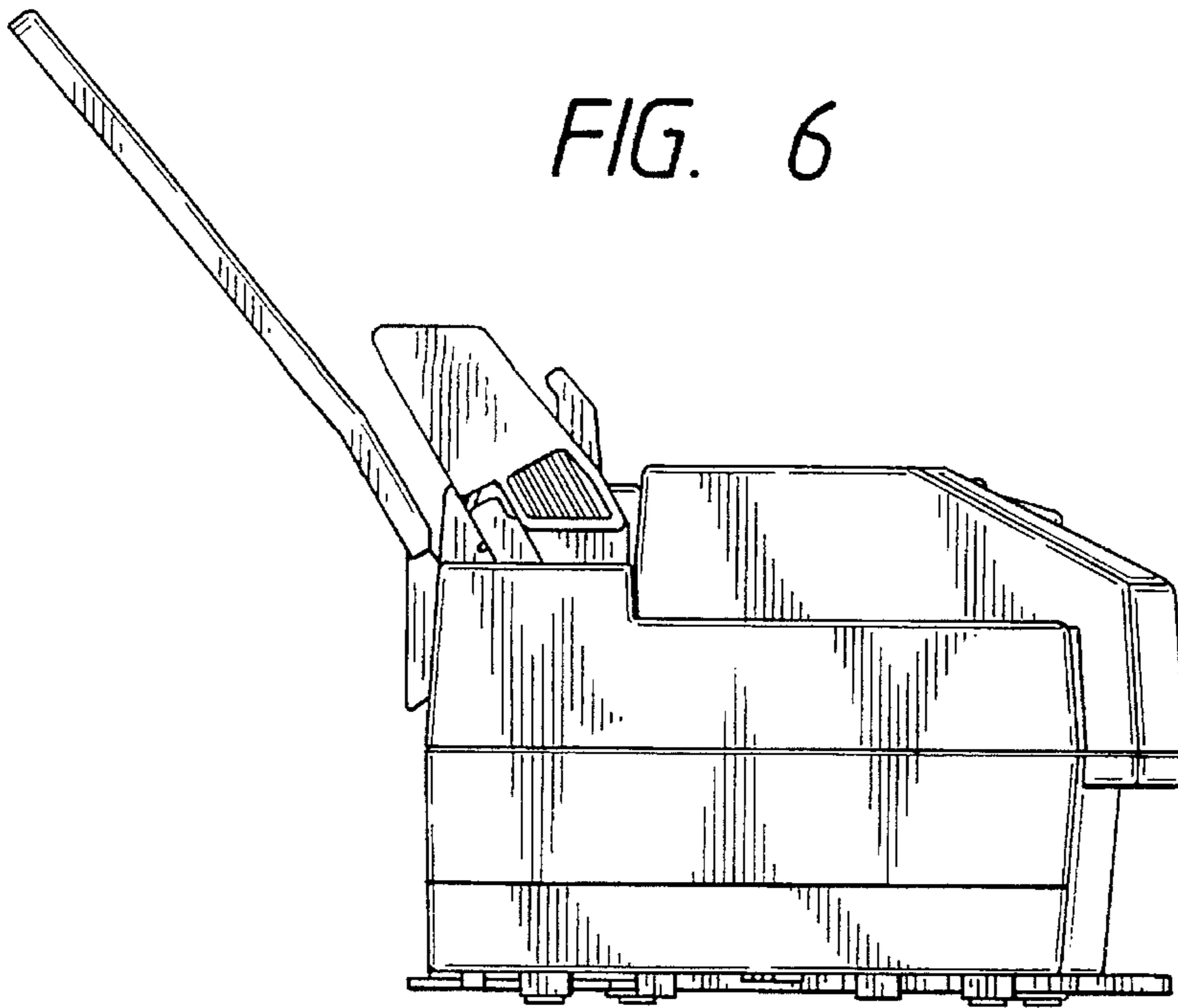


FIG. 7

